



US00D821993S

(12) **United States Design Patent** (10) **Patent No.:** **US D821,993 S**
Sung (45) **Date of Patent:** **** Jul. 3, 2018**

(54) **BUOYANT OBJECT FOR WAVE POWER GENERATOR**

(71) Applicants: **ENGINE, INC.**, Seoul (KR); **Yong Jun Sung**, Guri-Si, Gyeonggi-Do (KR)

(72) Inventor: **Yong Jun Sung**, Guri-si (KR)

(**) Term: **15 Years**

(21) Appl. No.: **35/502,447**

(22) Filed: **Aug. 12, 2016**

(80) **Hague Agreement Data**

Int. Filing Date: **Aug. 12, 2016**

Int. Reg. No.: **DM/093666**

Int. Reg. Date: **Aug. 12, 2016**

Int. Reg. Pub. Date: **Feb. 17, 2017**

(30) **Foreign Application Priority Data**

Feb. 12, 2016 (KR) 30-2016-0006534

(51) **LOC (11) Cl.** **13-99**

(52) **U.S. Cl.**
USPC **D13/199**

(58) **Field of Classification Search**

USPC D13/199, 164, 102, 108, 107, 115;
D1/27, 128; D21/803, 804, 805, 680,
D21/769; D6/601; 310/268; 362/183

CPC H02K 29/14; F21L 4/085
See application file for complete search history.

(56) **References Cited**

U.S. PATENT DOCUMENTS

4,093,897 A * 6/1978 Fujita H02K 29/14
310/268
4,203,150 A * 5/1980 Shamlan F21L 4/085
362/183

D264,243 S * 5/1982 Merker D13/164
D310,657 S * 9/1990 Bradford D13/102
D447,316 S * 9/2001 Wolff D1/127
D485,593 S * 1/2004 Muci D21/769
D502,240 S * 2/2005 Hendrickson D21/769
D642,522 S * 8/2011 Budike, Jr. D13/108
D645,692 S * 9/2011 Heroux D6/601
D650,329 S * 12/2011 Budike, Jr. D13/108
D652,374 S * 1/2012 Mercer D13/102
D652,792 S * 1/2012 Budike, Jr. D13/107
D652,794 S * 1/2012 Christopher D13/115
D668,004 S * 9/2012 Price D30/152
D697,336 S * 1/2014 Perry D21/803
D735,310 S * 7/2015 Drew D23/365
9,073,611 B2 * 7/2015 Berenson B63B 35/78
D758,762 S * 6/2016 Blauweiss D6/601
D771,348 S * 11/2016 Traynor D1/128
D775,293 S * 12/2016 Miller D21/803
D786,998 S * 5/2017 Frerich D21/803
D798,968 S * 10/2017 Lien D21/680
D802,075 S * 11/2017 Wampold D21/803
D804,852 S * 12/2017 Glaze D6/601
D805,140 S * 12/2017 Hodes D21/681
D805,151 S * 12/2017 Su D21/803
D806,711 S * 1/2018 Sakaguchi D14/388

* cited by examiner

Primary Examiner — Rea Shields

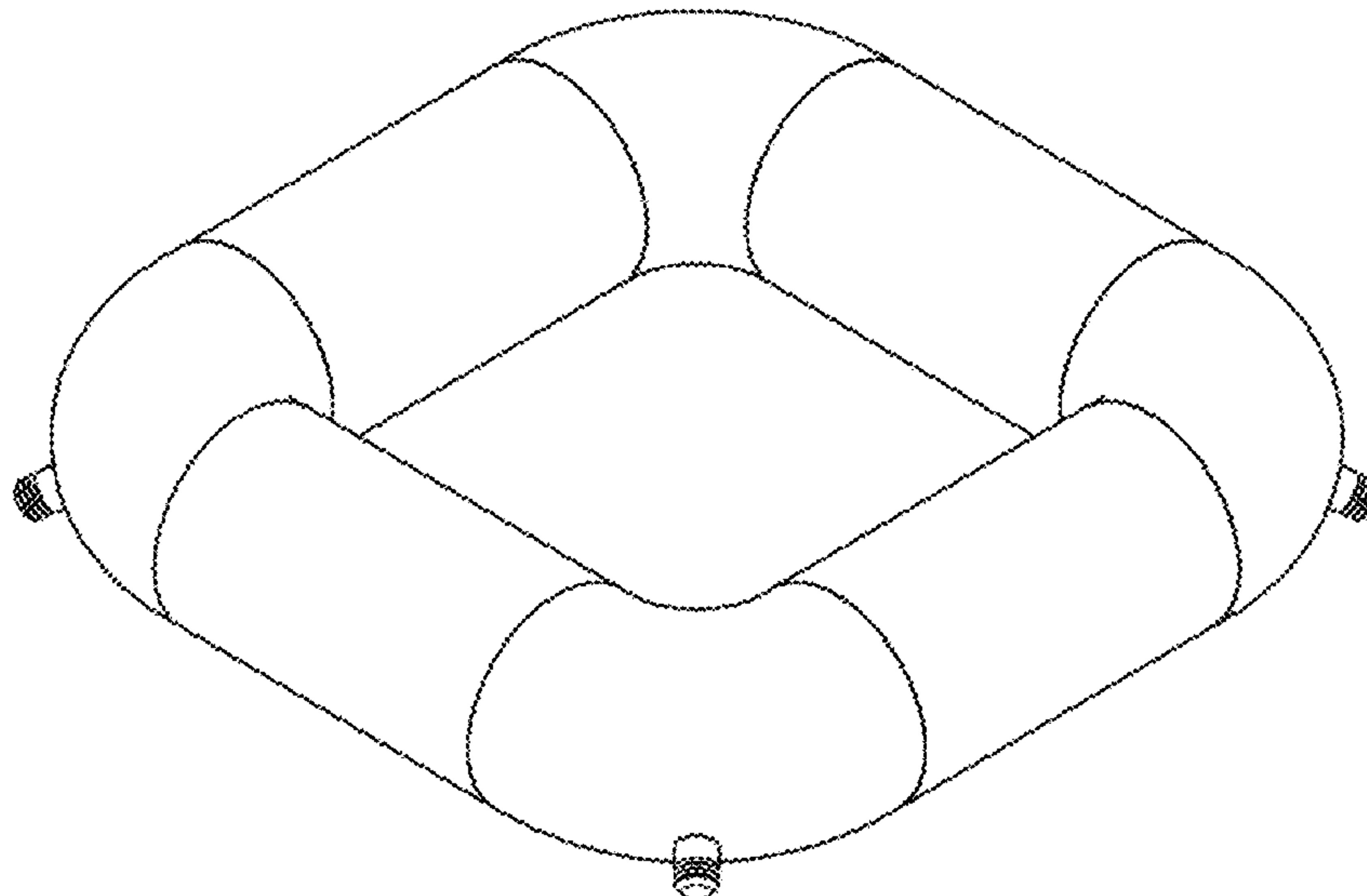
(57) **CLAIM**

The ornamental design for a buoyant object for wave power generator, as shown and described.

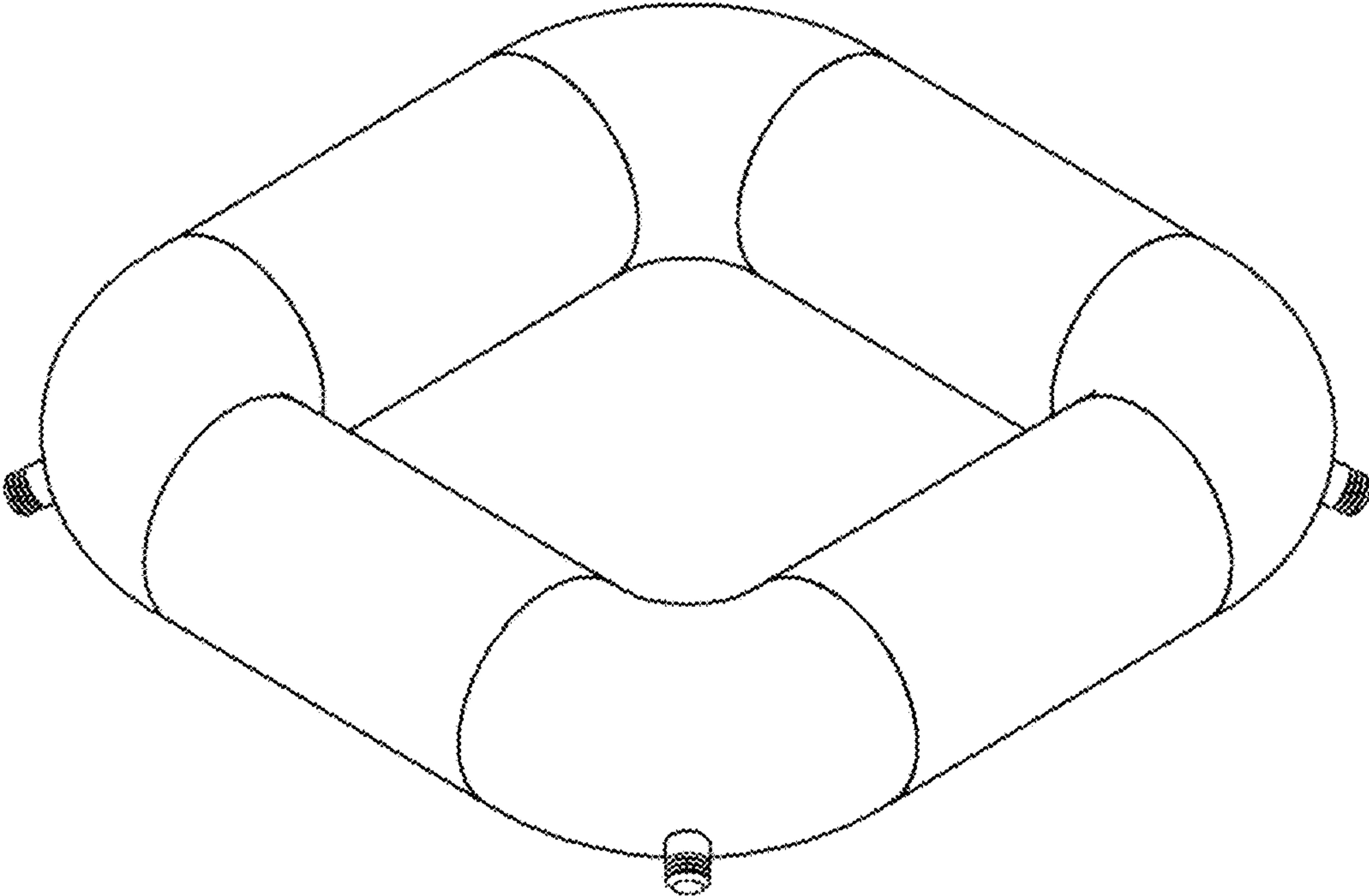
DESCRIPTION

- 1. Buoyant object for wave power generator
- 1.1 : Perspective
- 1.2 : Front
- 1.3 : Top
- 1.4 : Bottom
- 1.5 : Cross-sectional
- 1.6 : Exploded

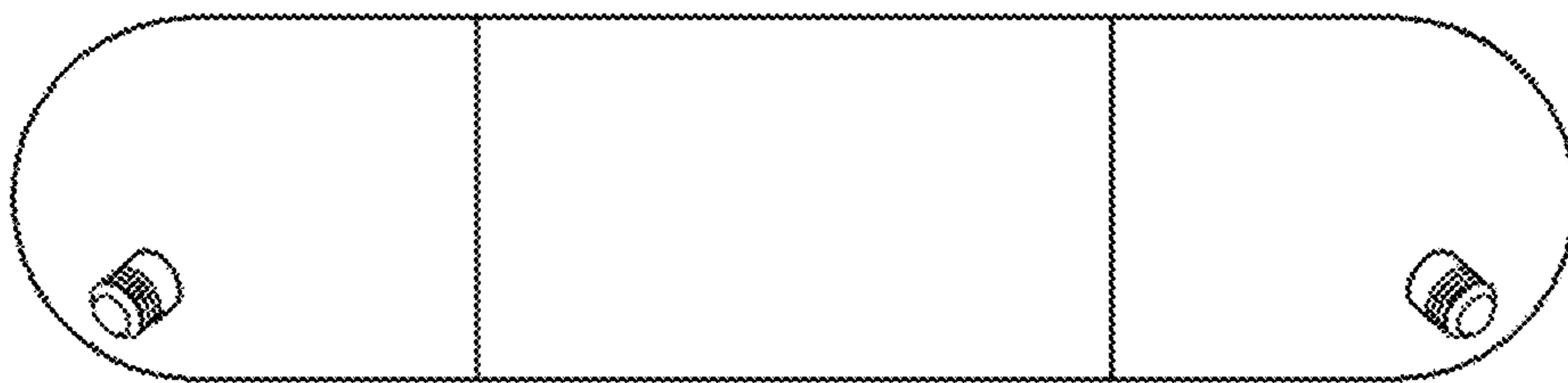
1 Claim, 6 Drawing Sheets



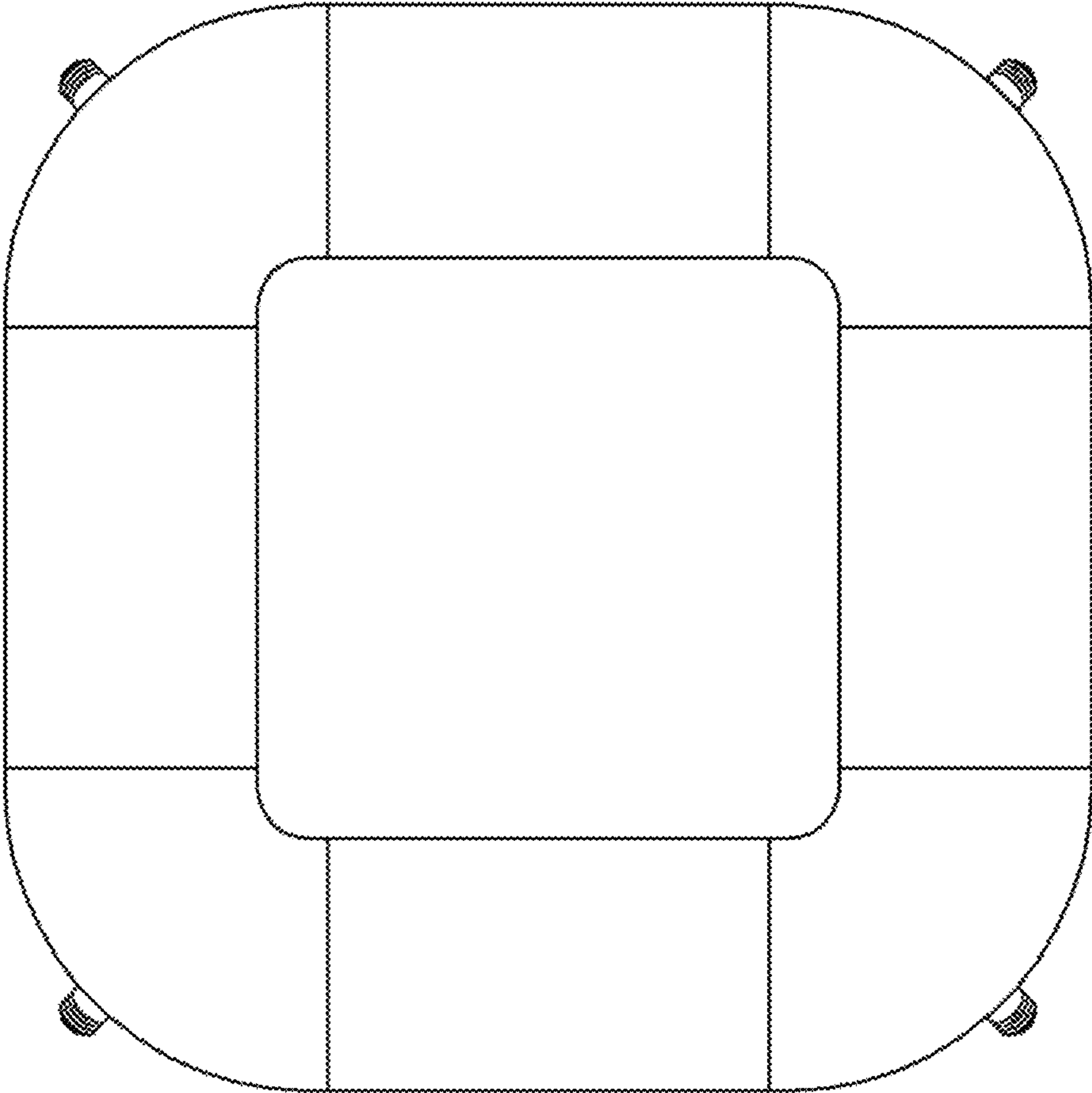
1.1



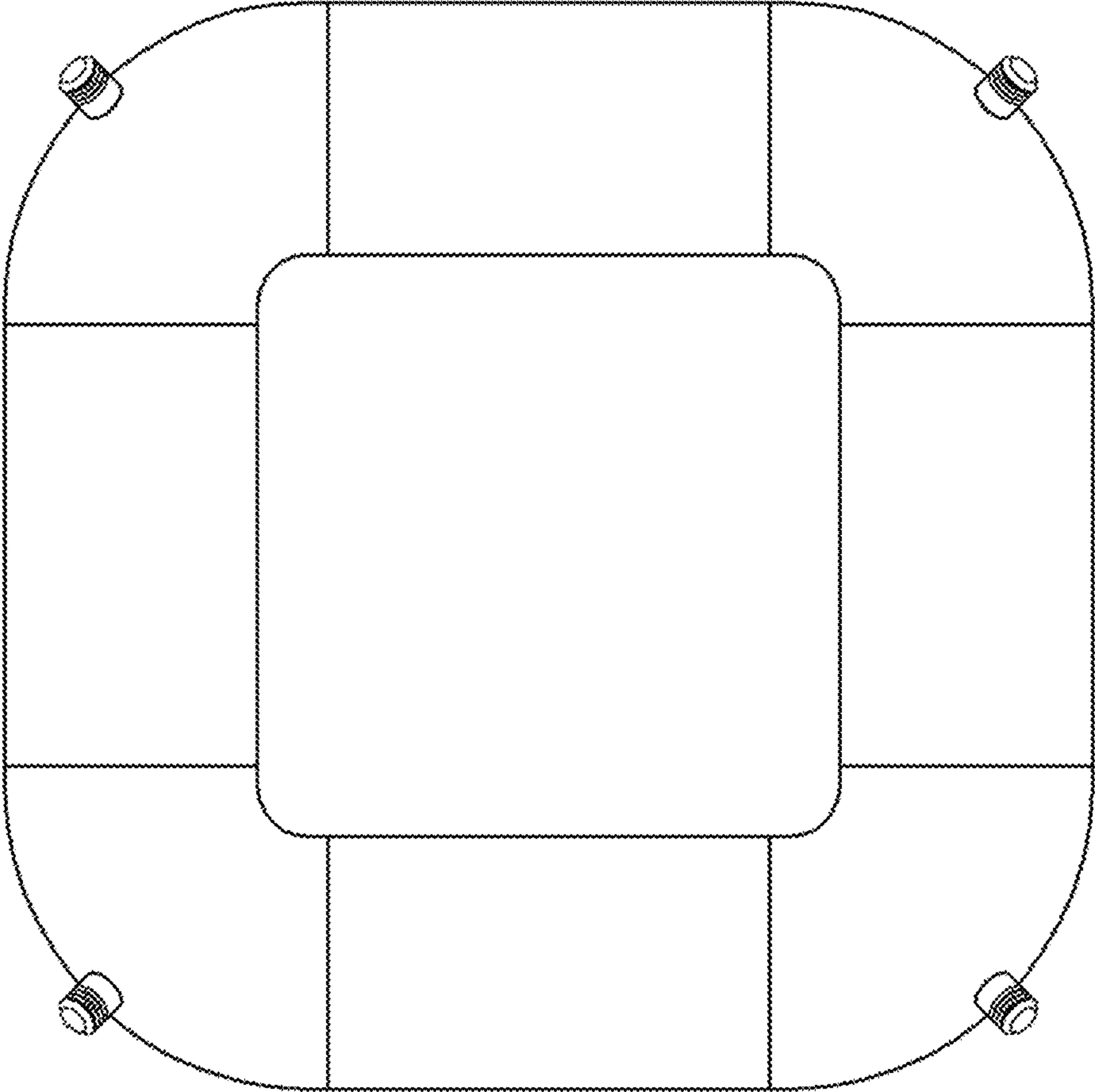
1.2



1.3



1.4



1.5



1.6

