



US00D821992S

(12) **United States Design Patent** (10) **Patent No.:** **US D821,992 S**
Sung (45) **Date of Patent:** **** Jul. 3, 2018**

(54) **BUOYANT OBJECT FOR WAVE POWER GENERATOR**

(71) Applicants: **ENGINE, INC.**, Seoul (KR); **Yong Jun Sung**, Guri-Si (KR)

(72) Inventor: **Yong Jun Sung**, Guri-Si (KR)

(**) Term: **15 Years**

(21) Appl. No.: **35/502,446**

(22) Filed: **Aug. 12, 2016**

(80) **Hague Agreement Data**

Int. Filing Date: **Aug. 12, 2016**

Int. Reg. No.: **DM/093665**

Int. Reg. Date: **Aug. 12, 2016**

Int. Reg. Pub. Date: **Feb. 17, 2017**

(30) **Foreign Application Priority Data**

Feb. 12, 2016 (KR) 30-2016-0006529

(51) **LOC (11) Cl.** **13-99**

(52) **U.S. Cl.**
USPC **D13/199**

(58) **Field of Classification Search**

USPC D13/199, 164, 102, 108, 107, 115;
D1/27, 128; D21/803, 804, 805, 680,
D21/769, 681; D6/601; 310/268;
362/183; D30/152; 114/345; 137/223;
182/139

CPC . H02K 29/14; F21L 4/085; B63C 9/24; A63B
5/11; F16K 15/20; B63B 35/76

See application file for complete search history.

(56) **References Cited**

U.S. PATENT DOCUMENTS

2,772,692	A *	12/1956	Russell	B63C 9/24 137/223
3,130,816	A *	4/1964	Wright	A63B 5/11 182/139
3,432,904	A *	3/1969	Stewart	F16K 15/20 137/223
D485,593	S *	1/2004	Muci	D21/769
D502,240	S *	2/2005	Hendrickson	D21/769
8,187,047	B1 *	5/2012	Brooks	B63B 35/76 114/345
D668,004	S *	9/2012	Price	D30/152
D775,293	S *	12/2016	Miller	D21/803
D786,998	S *	5/2017	Frerich	D21/803
D798,968	S *	10/2017	Lien	D21/680
D802,075	S *	11/2017	Wampold	D21/803
D805,140	S *	12/2017	Hodes	D21/681
D805,151	S *	12/2017	Su	D21/803

* cited by examiner

Primary Examiner — Rhea Shields

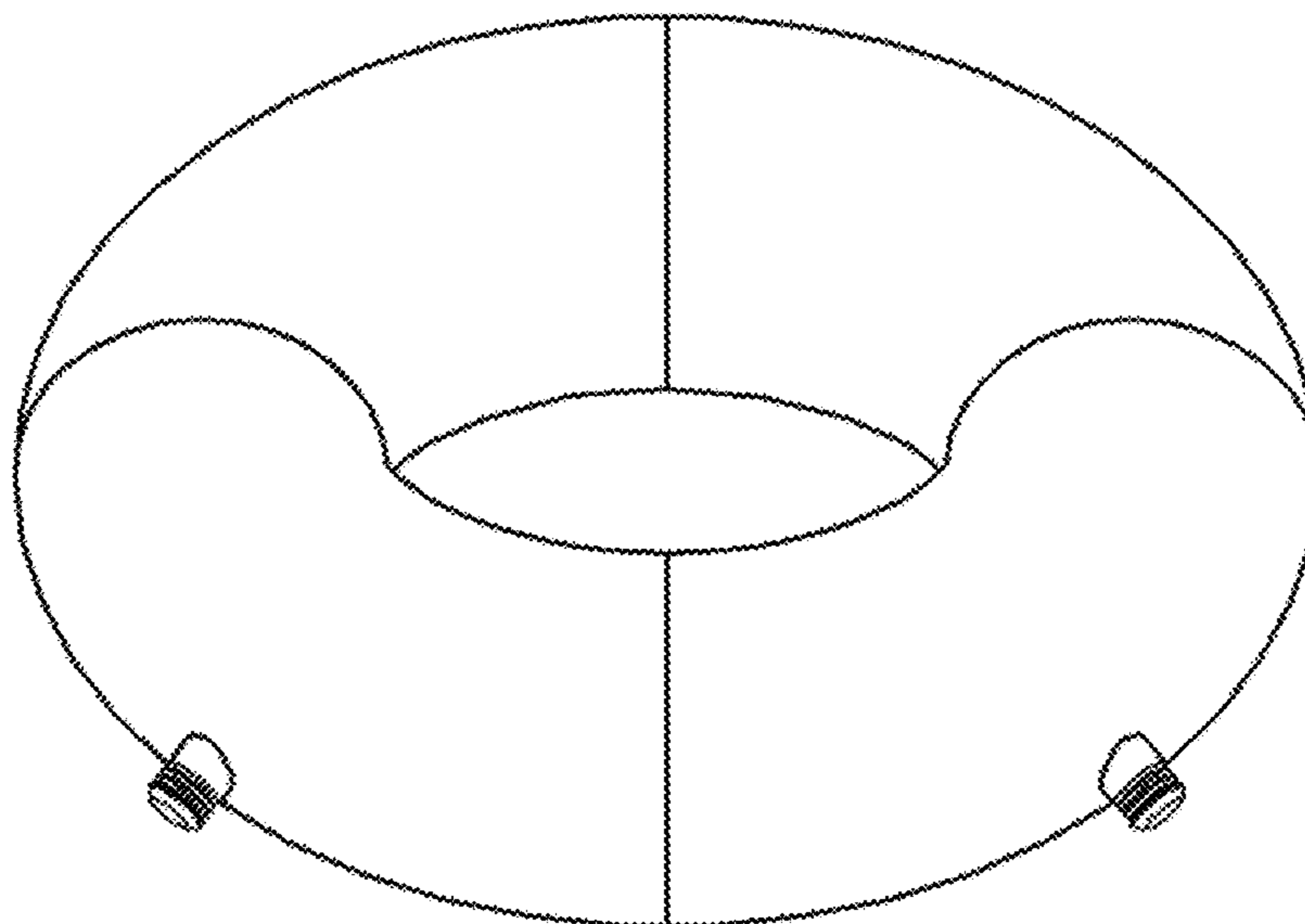
(57) **CLAIM**

The ornamental design for a buoyant object for wave power generator, as shown and described.

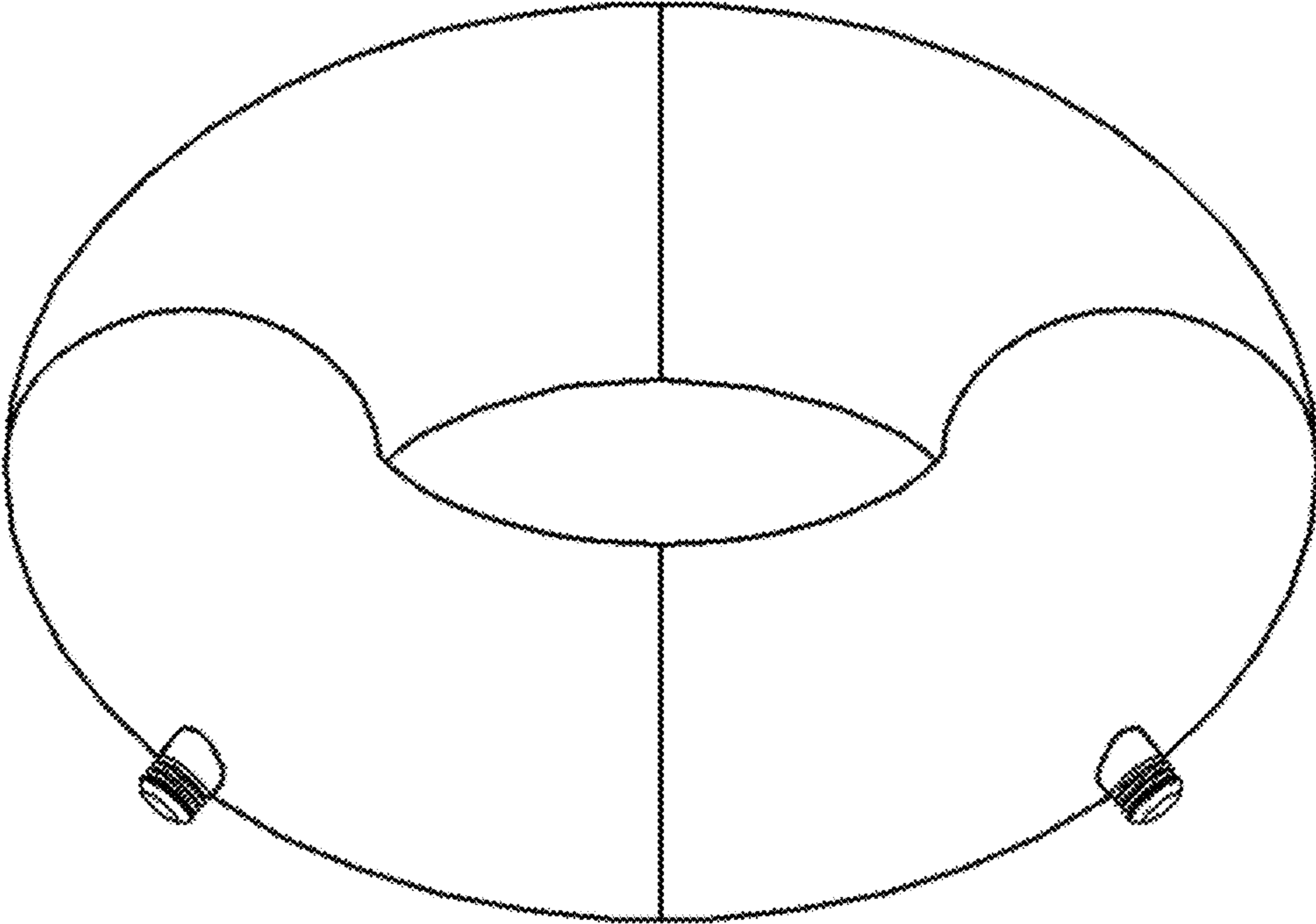
DESCRIPTION

1. Buoyant object for wave power generator
 - 1.1 : Perspective
 - 1.2 : Front
 - 1.3 : Top
 - 1.4 : Bottom
 - 1.5 : Cross-sectional
 - 1.6 : Exploded

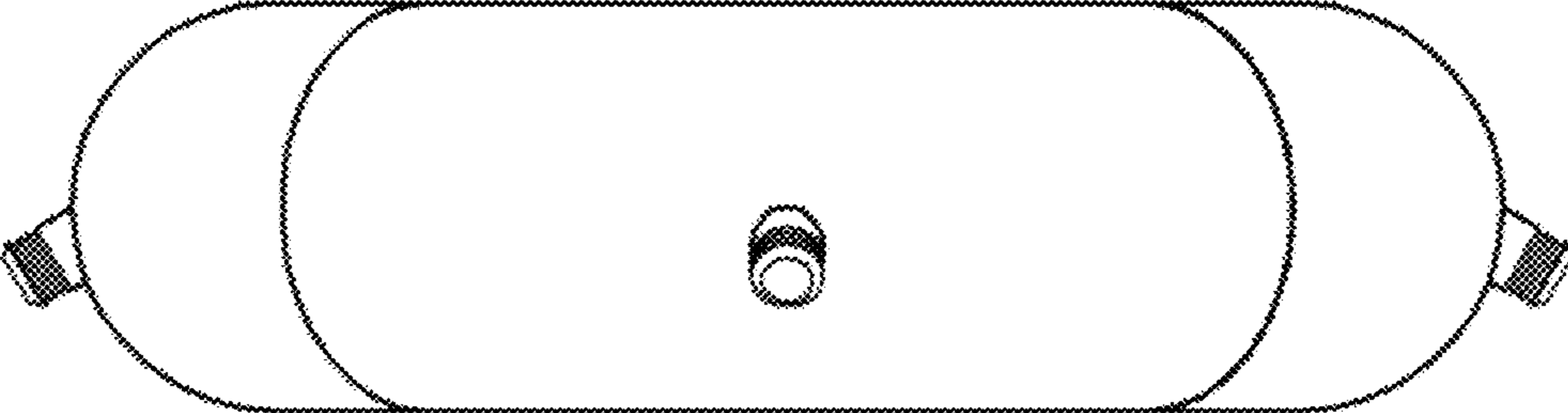
1 Claim, 6 Drawing Sheets



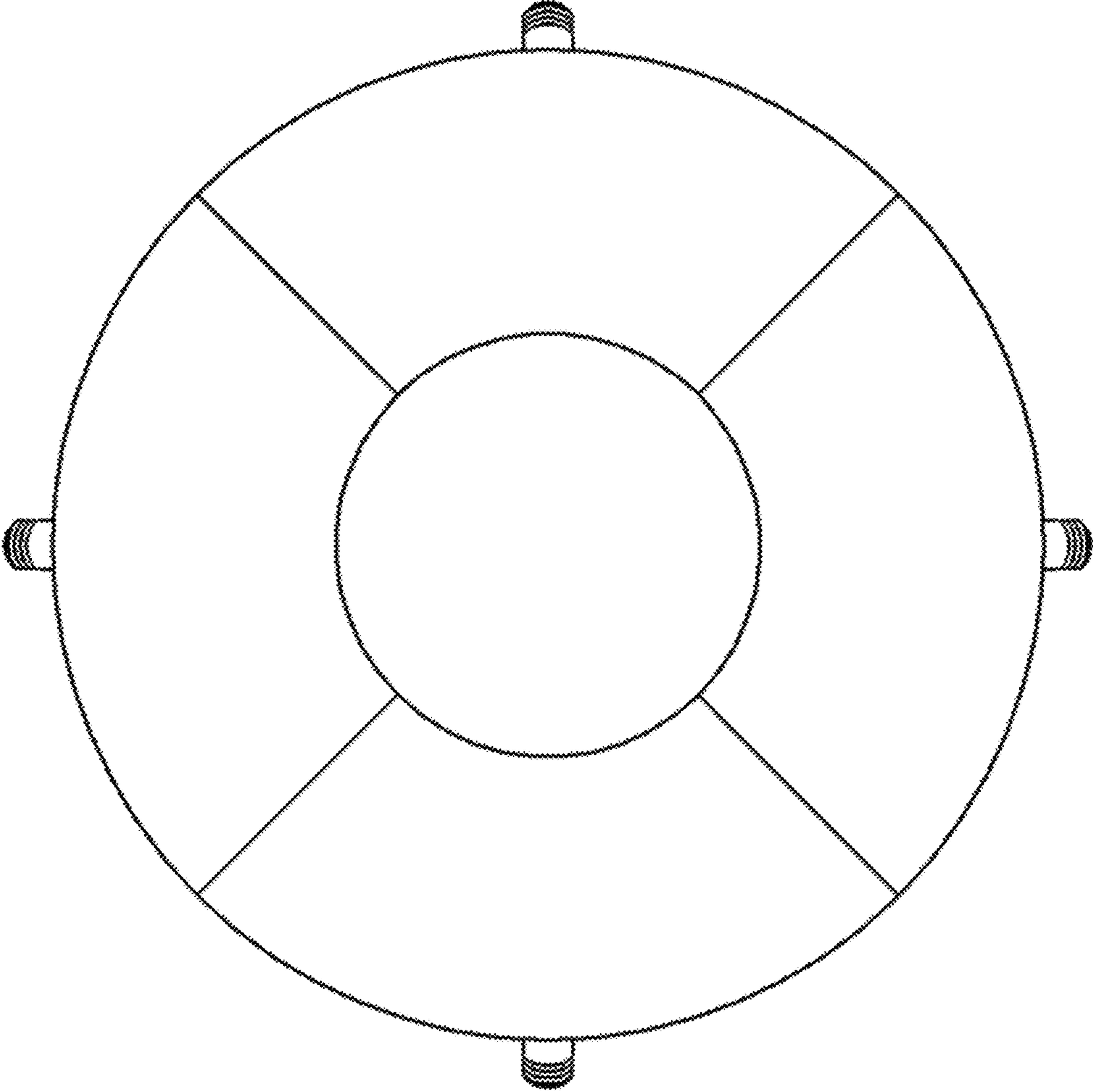
1.1



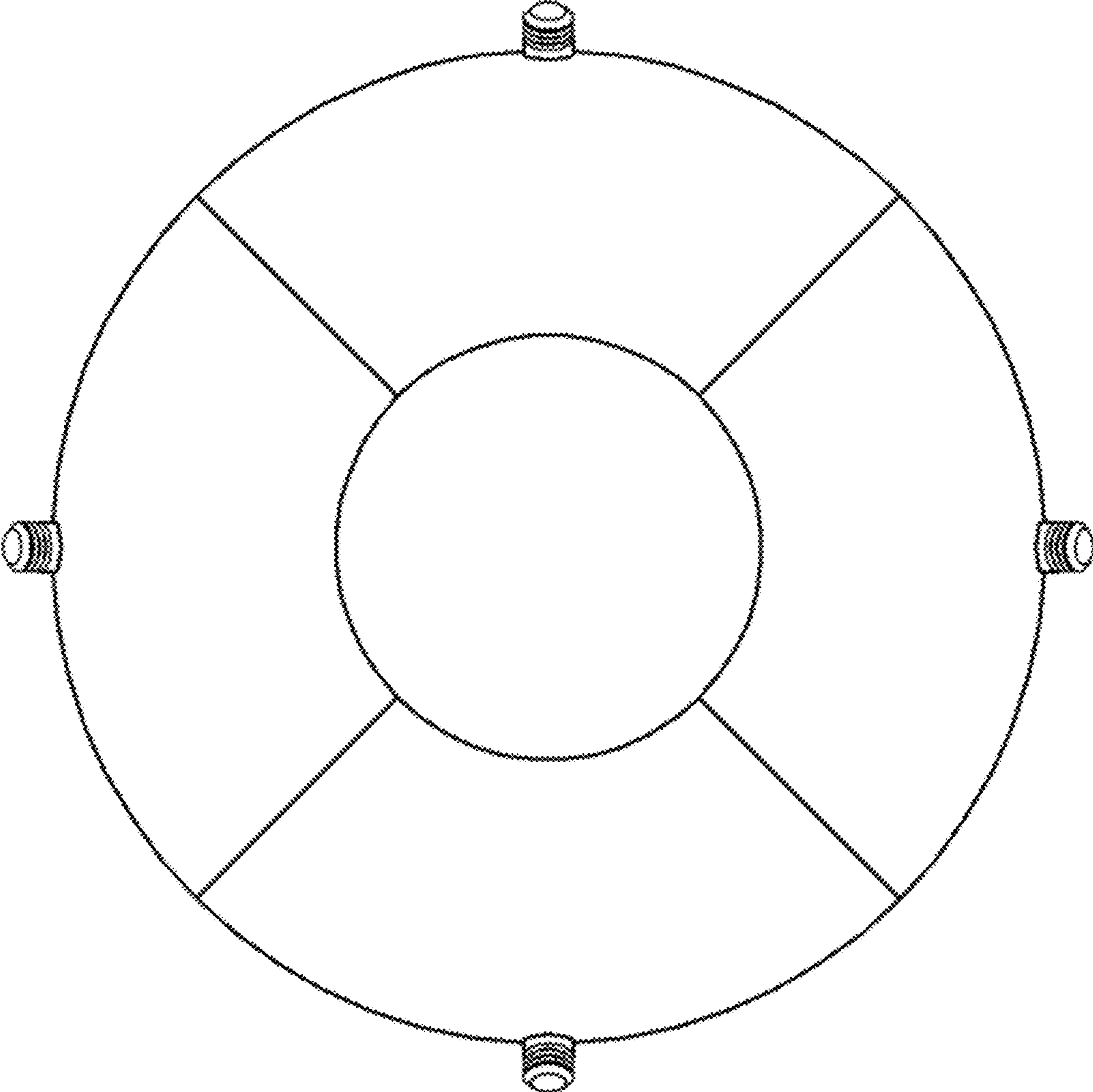
1.2

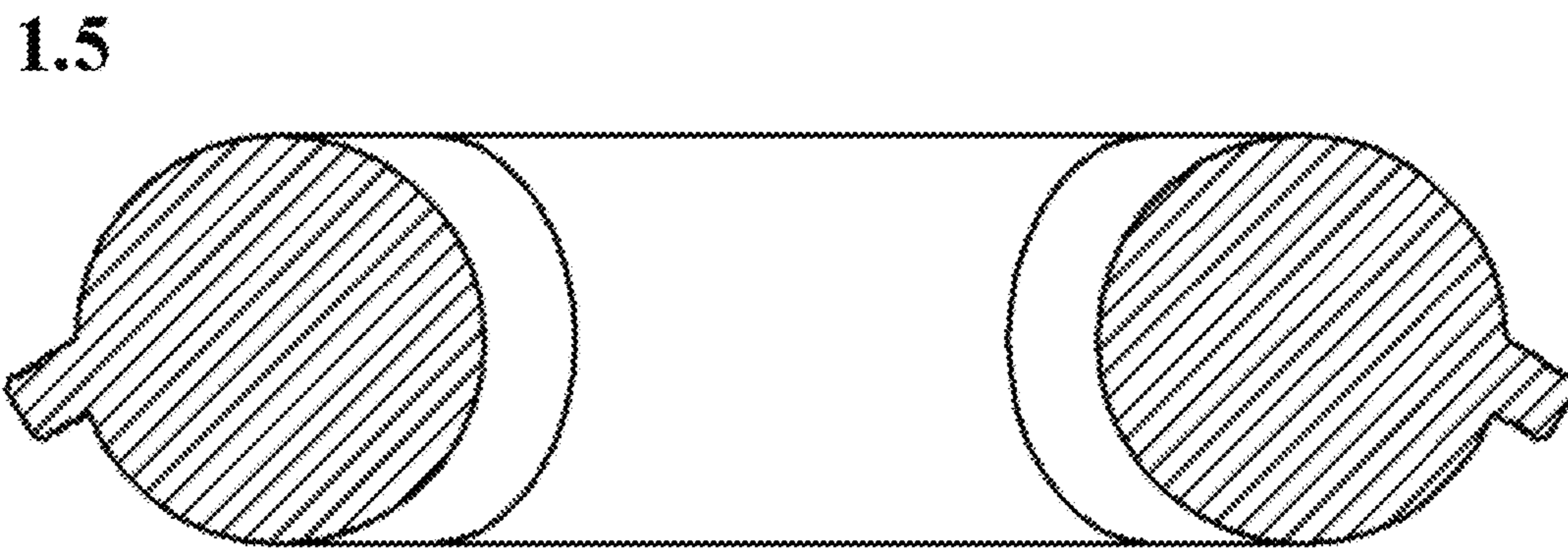


1.3



1.4





1.6

