



US00D821989S

(12) **United States Design Patent** (10) **Patent No.:** **US D821,989 S**  
**Sung** (45) **Date of Patent:** **\*\* Jul. 3, 2018**

(54) **BUOYANT OBJECT FOR WAVE POWER GENERATOR**

(71) Applicants: **ENGINE, INC.**, Seoul (KR); **Yong Jun Sung**, Guri-Si (KR)

(72) Inventor: **Yong Jun Sung**, Guri-si (KR)

(\*\*) Term: **15 Years**

(21) Appl. No.: **35/502,443**

(22) Filed: **Aug. 12, 2016**

(80) **Hague Agreement Data**

Int. Filing Date: **Aug. 12, 2016**

Int. Reg. No.: **DM/093662**

Int. Reg. Date: **Aug. 12, 2016**

Int. Reg. Pub. Date: **Feb. 17, 2017**

(30) **Foreign Application Priority Data**

Feb. 12, 2016 (KR) ..... 30-2016-0006536

(51) **LOC (11) Cl.** ..... **13-99**

(52) **U.S. Cl.**  
USPC ..... **D13/199**

(58) **Field of Classification Search**

USPC ..... D13/199, 164, 102, 108, 107, 115;  
D1/27, 128; D21/803, 804, 805, 680,  
D21/769; D6/601; 310/268; 362/183

CPC ..... H02K 29/14; F21L 4/085

See application file for complete search history.

(56) **References Cited**

**U.S. PATENT DOCUMENTS**

4,093,897 A \* 6/1978 Fujita ..... H02K 29/14  
310/268

4,203,150 A \* 5/1980 Shamlian ..... F21L 4/085  
362/183

D264,243 S *	5/1982	Merker	.....	D13/164
D310,657 S *	9/1990	Bradford	.....	D13/102
D447,316 S *	9/2001	Wolff	.....	D1/127
D485,593 S *	1/2004	Muci	.....	D21/769
D502,240 S *	2/2005	Hendrickson	.....	D21/769
D642,522 S *	8/2011	Budike, Jr.	.....	D13/108
D645,692 S *	9/2011	Heroux	.....	D6/601
D650,329 S *	12/2011	Budike, Jr.	.....	D13/108
D652,374 S *	1/2012	Mercer	.....	D13/102
D652,792 S *	1/2012	Budike, Jr.	.....	D13/107
D652,794 S *	1/2012	Christopher	.....	D13/115
D668,004 S *	9/2012	Price	.....	D30/152
D697,336 S *	1/2014	Perry	.....	D21/803
D735,310 S *	7/2015	Drew	.....	D23/365
9,073,611 B2 *	7/2015	Berenson	.....	B63B 35/78
D758,762 S *	6/2016	Blauweiss	.....	D6/601
D771,348 S *	11/2016	Traynor	.....	D1/128
D775,293 S *	12/2016	Miller	.....	D21/803
D786,998 S *	5/2017	Frerich	.....	D21/803
D798,968 S *	10/2017	Lien	.....	D21/680
D802,075 S *	11/2017	Wampold	.....	D21/803
D804,852 S *	12/2017	Glaze	.....	D6/601
D805,140 S *	12/2017	Hodes	.....	D21/681
D805,151 S *	12/2017	Su	.....	D21/803
D806,711 S *	1/2018	Sakaguchi	.....	D14/388

\* cited by examiner

*Primary Examiner* — Rhea Shields

(57) **CLAIM**

The ornamental design for a buoyant object for wave power generator, as shown and described.

**DESCRIPTION**

1. Buoyant object for wave power generator

1.1 : Perspective

1.2 : Front

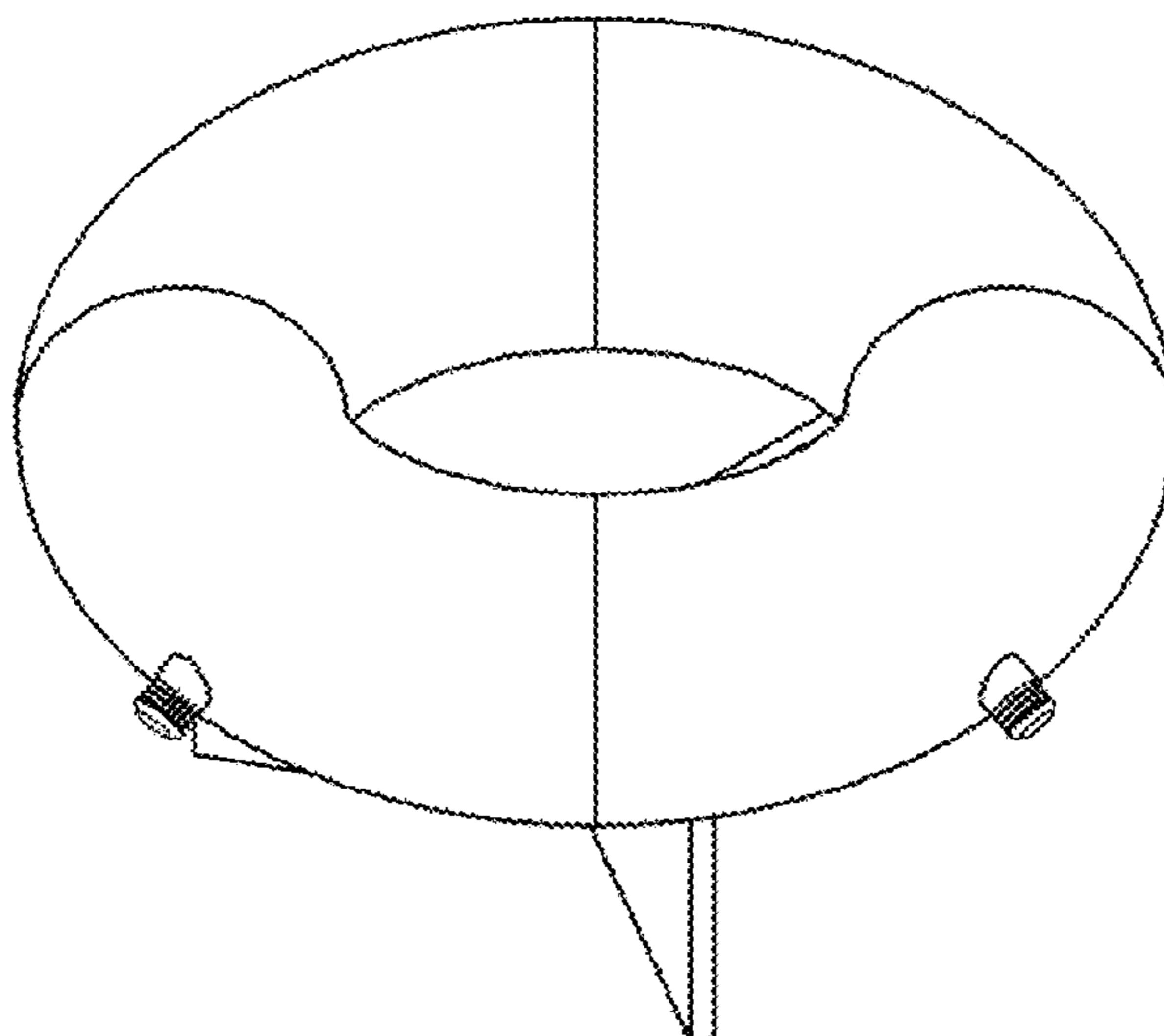
1.3 : Back

1.4 : Left

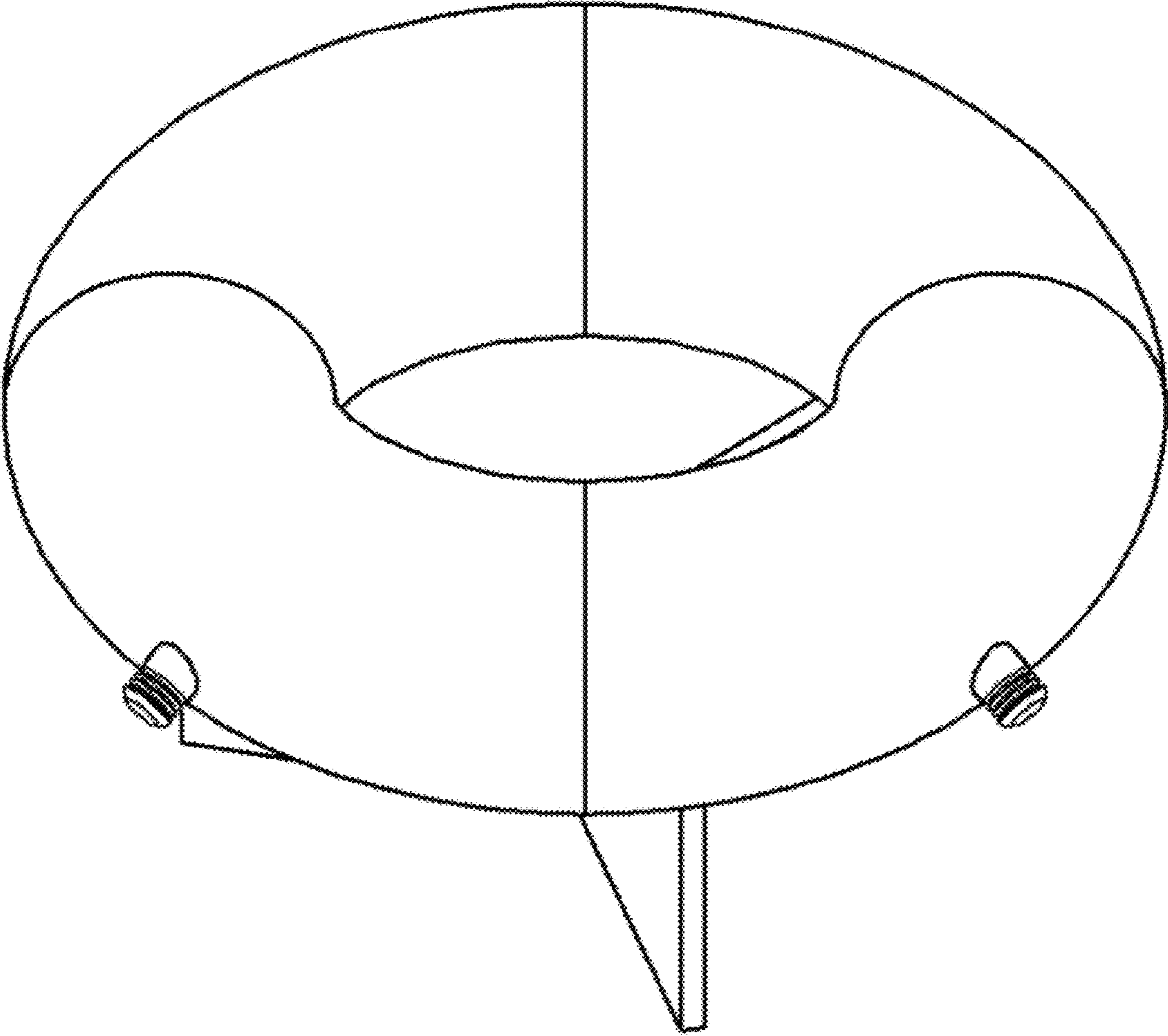
1.5 : Top

1.6 : Bottom

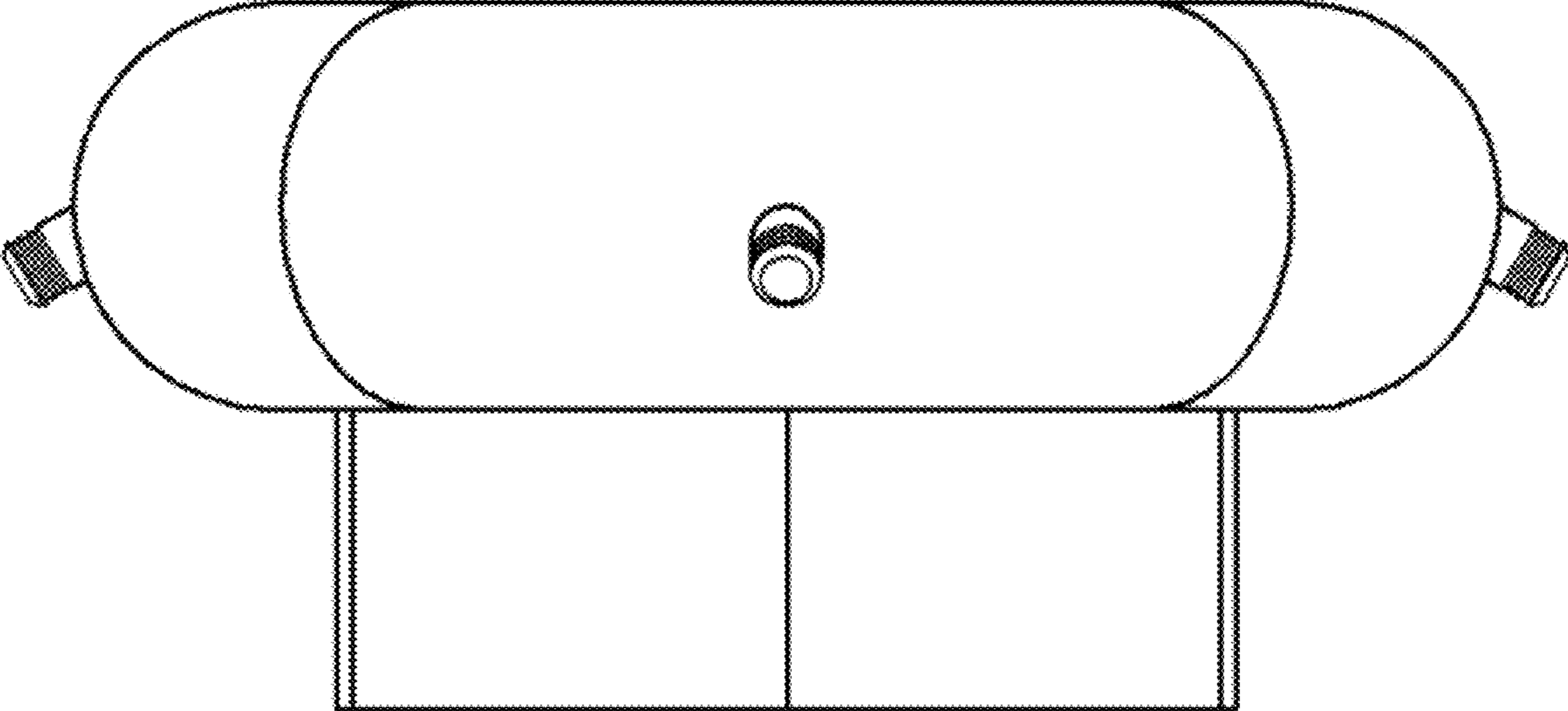
**1 Claim, 6 Drawing Sheets**



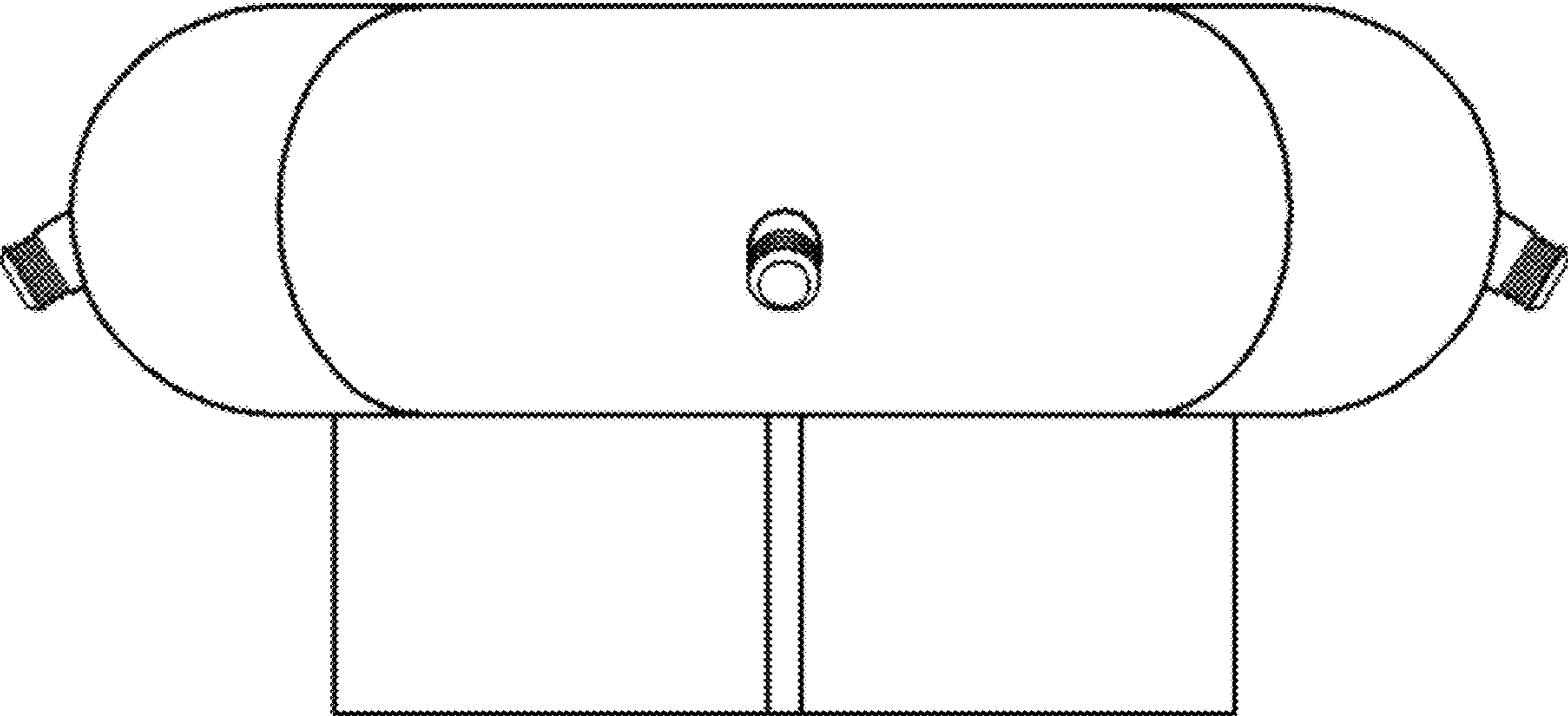
1.1



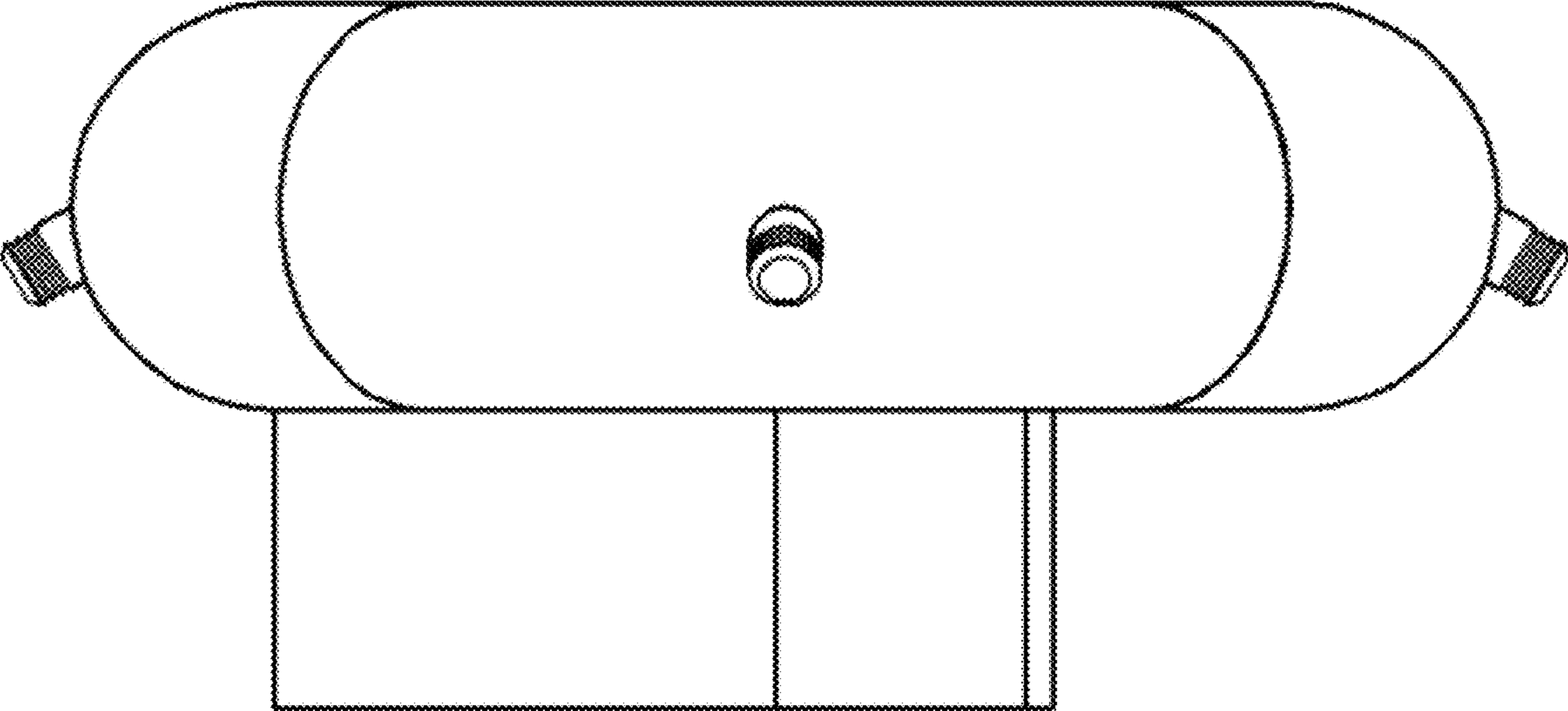
1.2



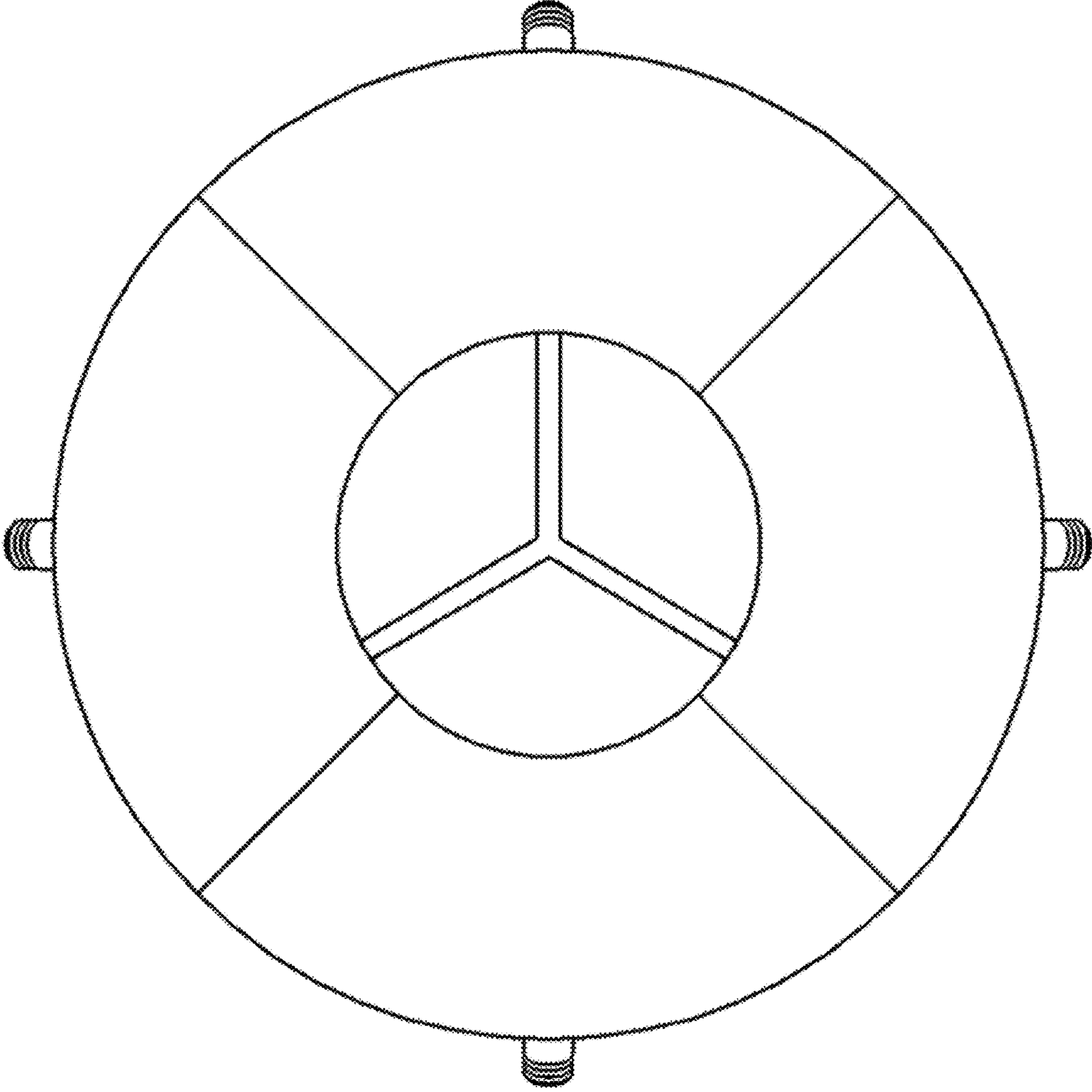
1.3



1.4



1.5



1.6

