



US00D821985S

(12) **United States Design Patent** (10) **Patent No.:** **US D821,985 S**
Zheng (45) **Date of Patent:** **** Jul. 3, 2018**

(54) **DIMMER SWITCH**

(56) **References Cited**

(71) Applicant: **Yueqing Hongji Trade Co., Ltd,**
Yueqing, Zhejiang (CN)

(72) Inventor: **Shaotong Zheng,** Zhejiang (CN)

(73) Assignee: **YUEQING HONGJI TRADE CO., LTD,** Yueqing, Zhejiang (CN)

(**) Term: **15 Years**

(21) Appl. No.: **29/593,616**

(22) Filed: **Feb. 10, 2017**

(30) **Foreign Application Priority Data**

Oct. 27, 2016 (CN) 2016 3 0529748

(51) **LOC (11) Cl.** **13-03**

(52) **U.S. Cl.**
USPC **D13/169**

(58) **Field of Classification Search**
USPC D13/162, 164, 169, 171, 177
CPC H01H 9/02; H01H 9/0271; H01H 9/16;
H01H 9/18; H01H 9/161; H01H 9/181;
H01H 9/182; H01H 13/04; H01H 13/14;
H01H 13/20; H01H 13/30; H01H 19/635;
H01H 23/00; H01H 23/02; H01H 23/025;
H01H 23/04; H01H 23/145; H01H
23/148; H01H 23/205; H01H 23/30;
H01H 51/088; H01H 83/02; H01H 83/04;
H01H 83/144; H05B 33/0803; H05B
33/0863; H05B 37/02; H05B 37/0254;
H05B 37/0272; H05B 39/02; H05B
39/04; H05B 39/085; H05B 39/086;
H05B 39/088; H01R 13/713; H01R
13/7135

See application file for complete search history.

U.S. PATENT DOCUMENTS

5,696,350 A * 12/1997 Anker H02G 3/14
174/66
D534,875 S * 1/2007 Wu D13/169
7,190,125 B2 * 3/2007 McDonough H05B 37/0209
307/115
D576,566 S * 9/2008 Wu D13/169
D576,961 S * 9/2008 Kidman D13/169
D583,335 S * 12/2008 Ni D13/169
D583,337 S * 12/2008 Ni D13/171

(Continued)

Primary Examiner — Selina Sikder
(74) *Attorney, Agent, or Firm* — Ziegler IP Law Group,
LLC

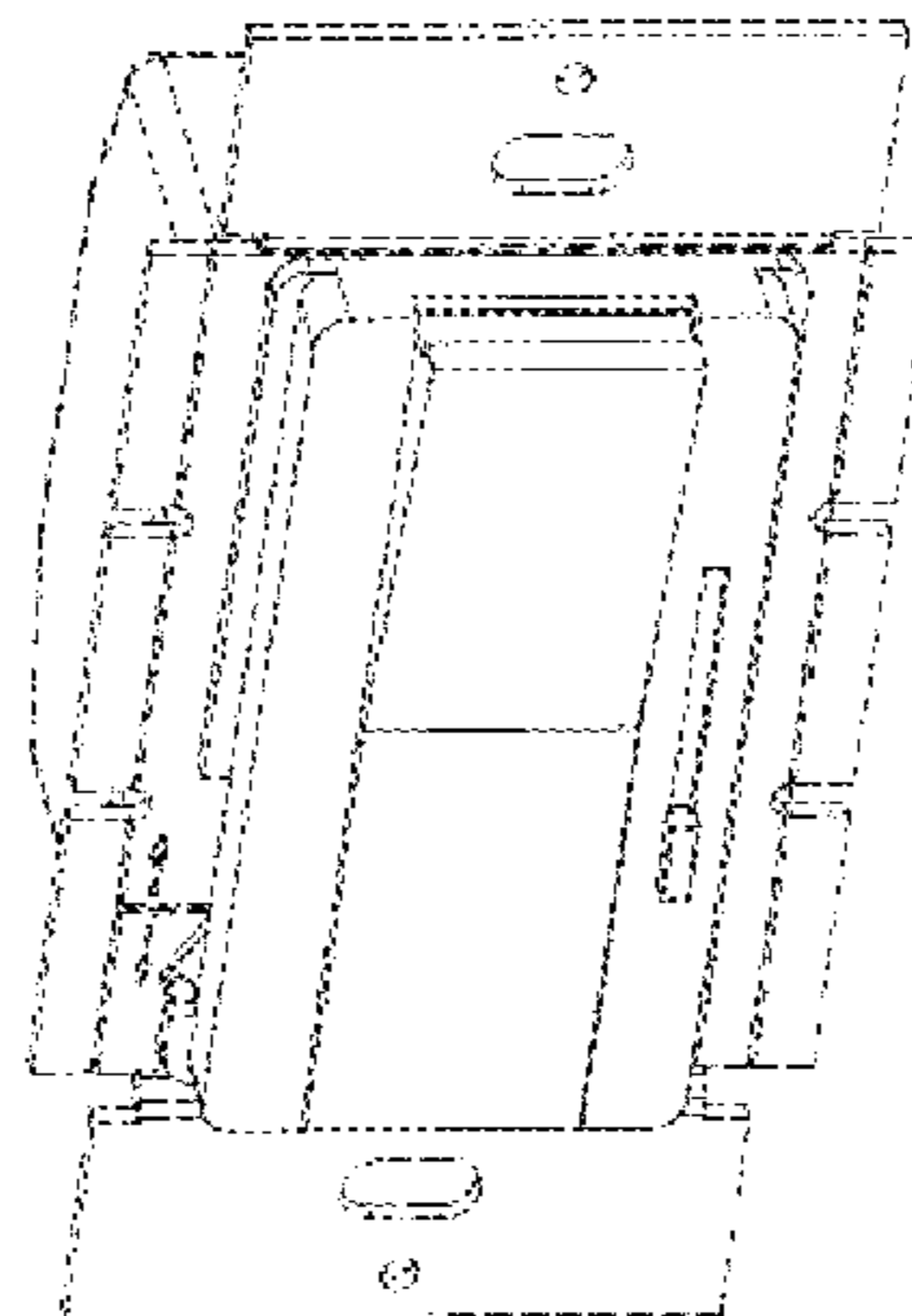
(57) **CLAIM**

The ornamental design for a dimmer switch, as shown and described.

DESCRIPTION

FIG. 1 is a front perspective view of a dimmer switch incorporating aspects of the disclosed embodiments;
FIG. 2 is a right side perspective view of the dimmer switch shown in FIG. 1;
FIG. 3 is a front view of the dimmer switch shown in FIG. 1;
FIG. 4 is a back view of the dimmer switch shown in FIG. 1;
FIG. 5 is a top view of the dimmer switch shown in FIG. 1;
FIG. 6 is a bottom view of the dimmer switch shown in FIG. 1;
FIG. 7 is a right side view of the dimmer switch shown in FIG. 1;
FIG. 8 is a left side view of the dimmer switch shown in FIG. 1; and,
FIG. 9 is a rear perspective view of the dimmer switch shown in FIG. 1.
The broken lines are for illustrative purposes only and form no part of the claimed design.

1 Claim, 9 Drawing Sheets



(56)

References Cited

U.S. PATENT DOCUMENTS

7,667,155 B1 * 2/2010 Ni H01H 23/145
 200/331
 D613,699 S * 4/2010 Goyal D13/177
 7,777,145 B2 * 8/2010 Burrell H05B 37/0263
 200/330
 D649,122 S * 11/2011 Jacoby D13/162
 8,459,812 B2 * 6/2013 Wu H01H 23/025
 200/335
 8,853,893 B2 * 10/2014 Savicki, Jr. H05B 33/0815
 200/339
 D733,075 S * 6/2015 Junko D13/169
 D740,766 S * 10/2015 Falkenberg D13/169
 D777,685 S * 1/2017 Tannous D13/169
 D787,451 S * 5/2017 Tress D13/169
 D797,061 S * 9/2017 Lacey D13/169
 2005/0115818 A1 * 6/2005 Kurek H01H 23/025
 200/553
 2009/0167098 A1 * 7/2009 Kalatizadeh H03K 17/94
 307/116
 2012/0292174 A1 * 11/2012 Mah H01H 3/227
 200/573

* cited by examiner

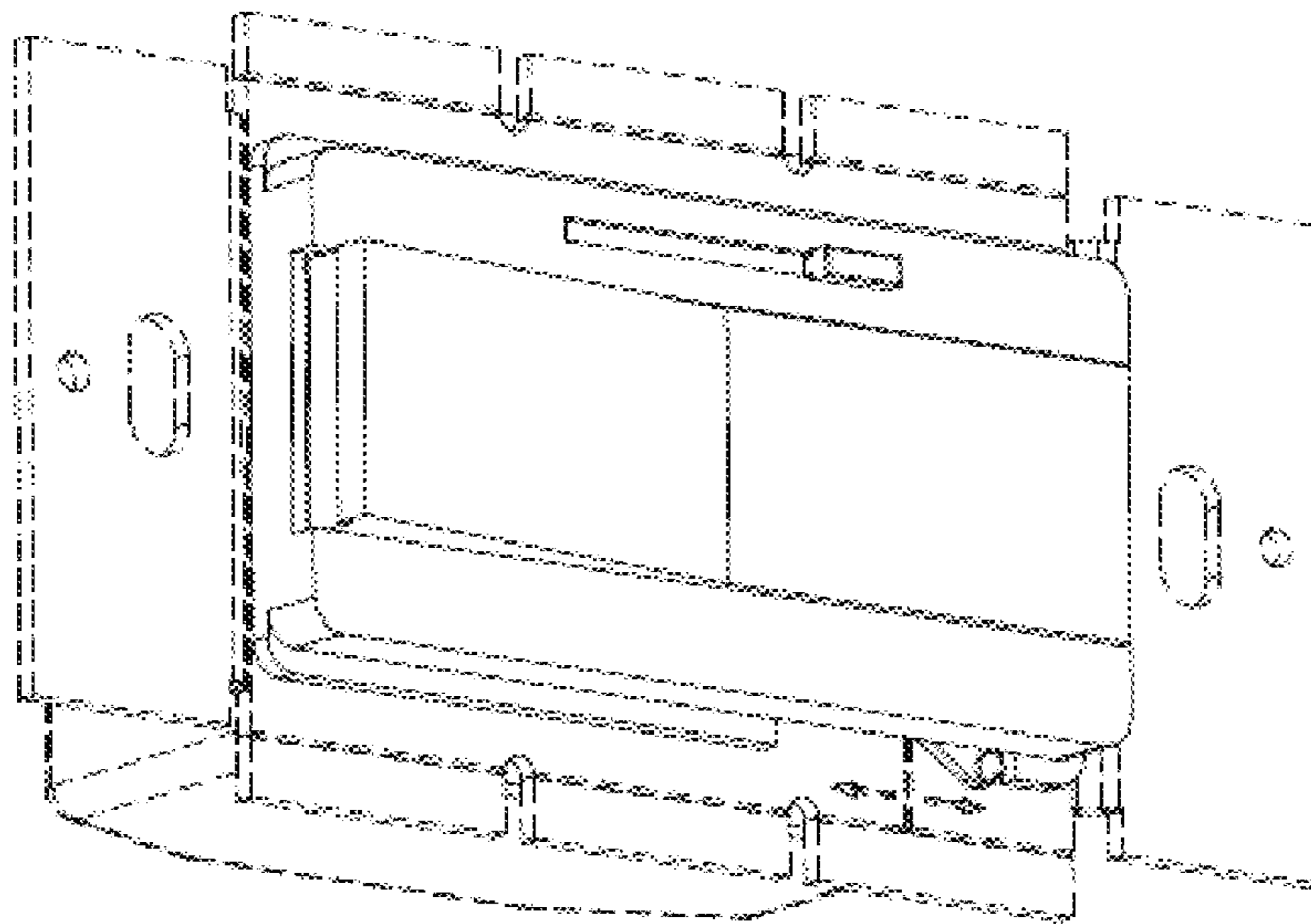


FIG. 1

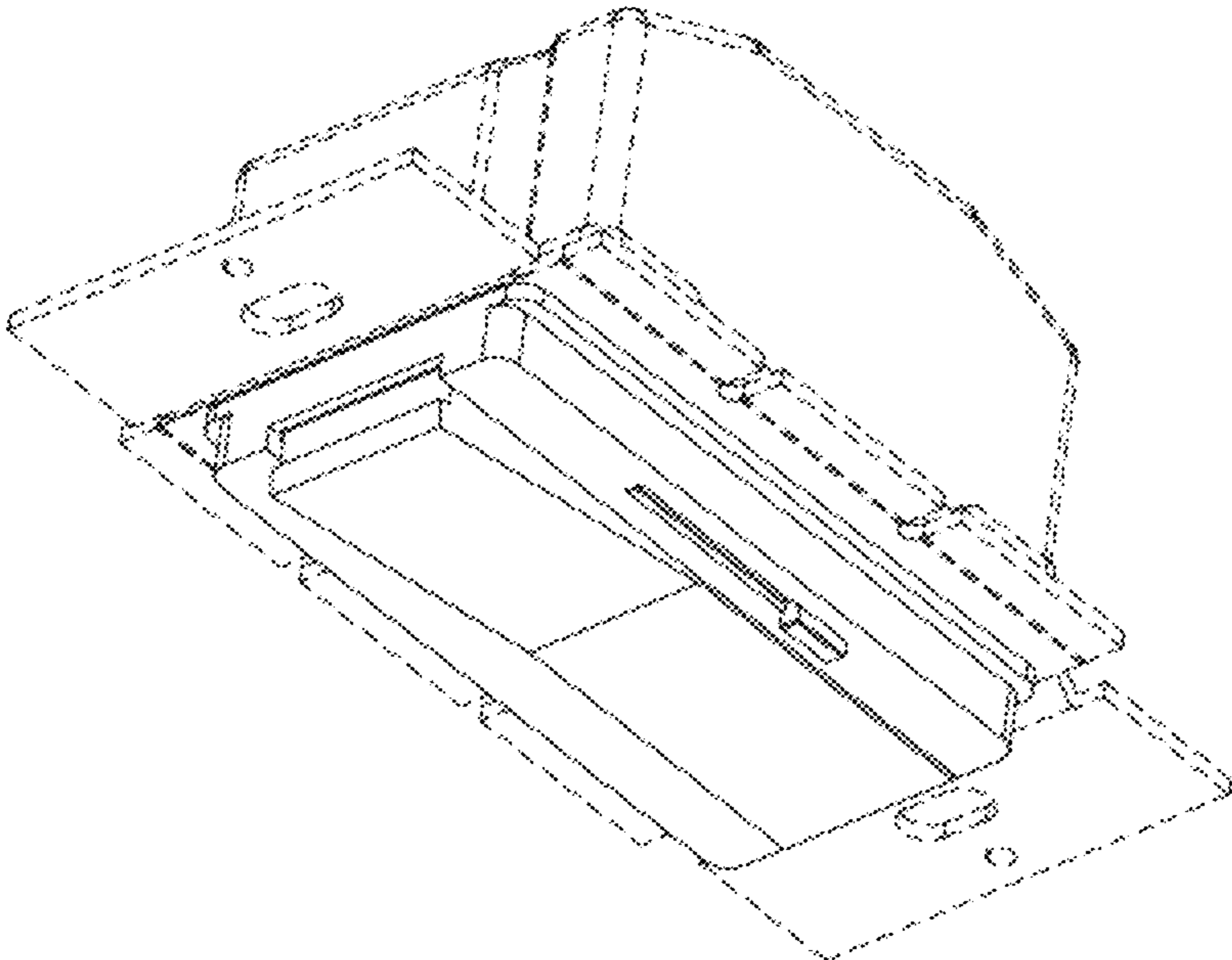


FIG. 2

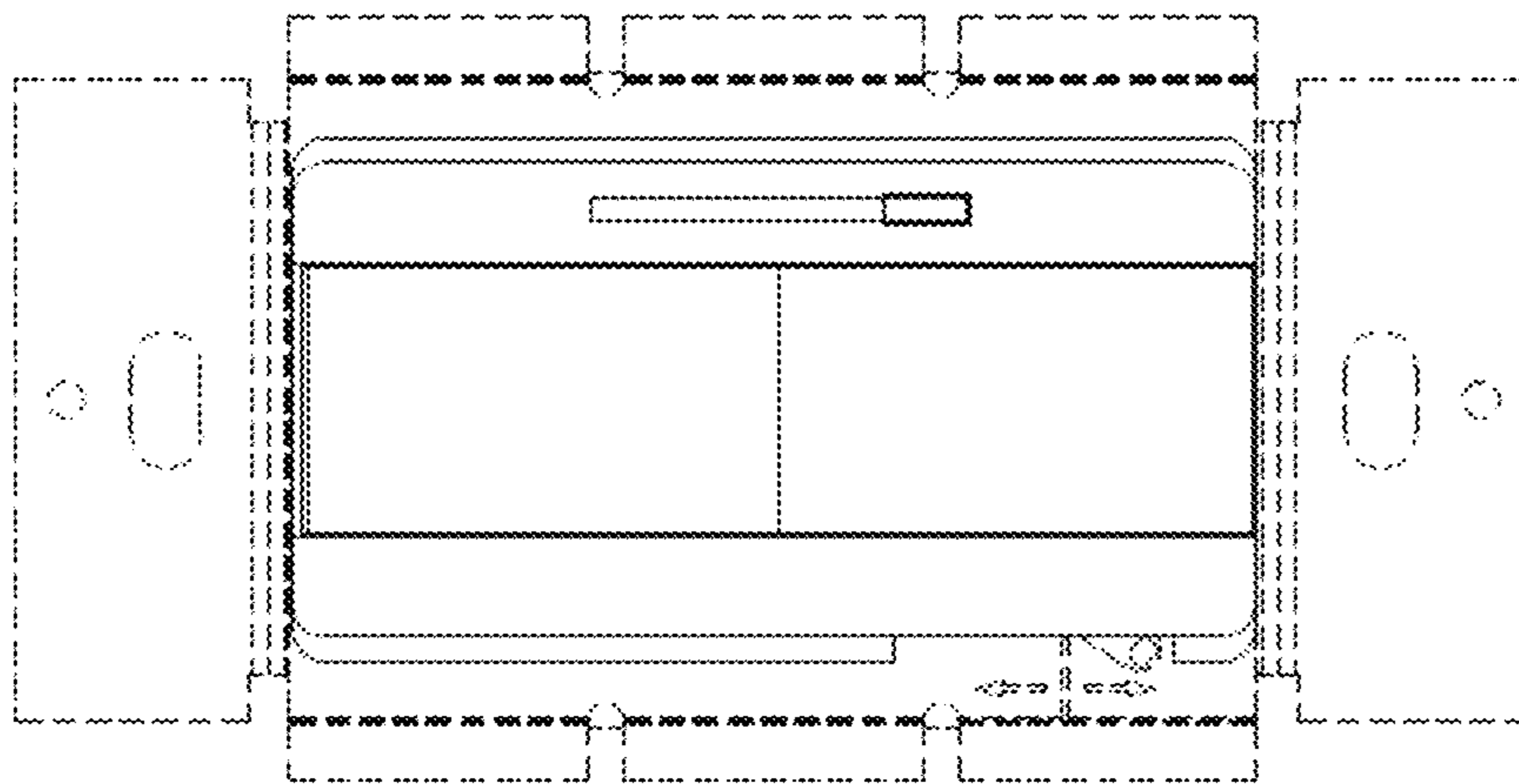


FIG. 3

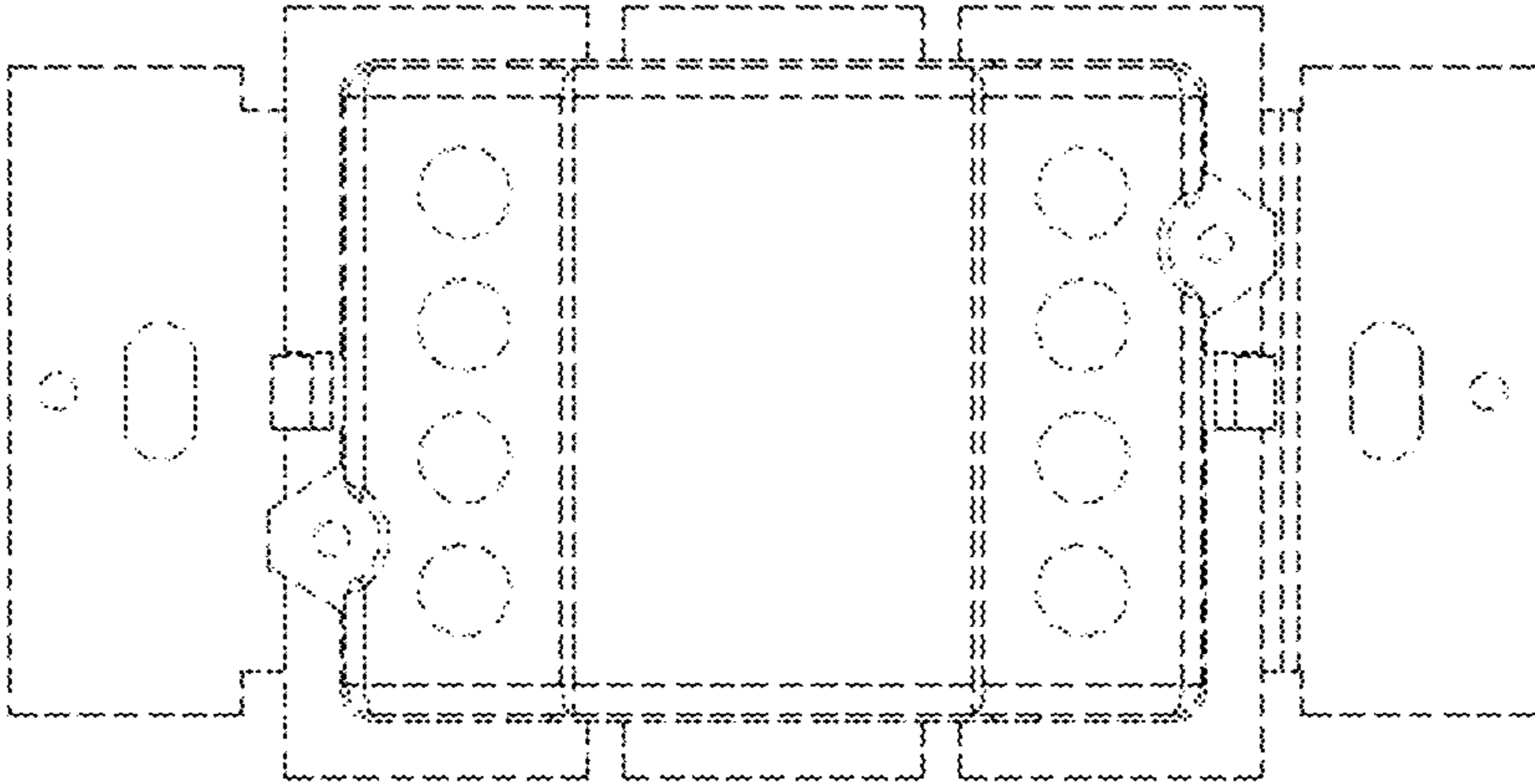


FIG. 4

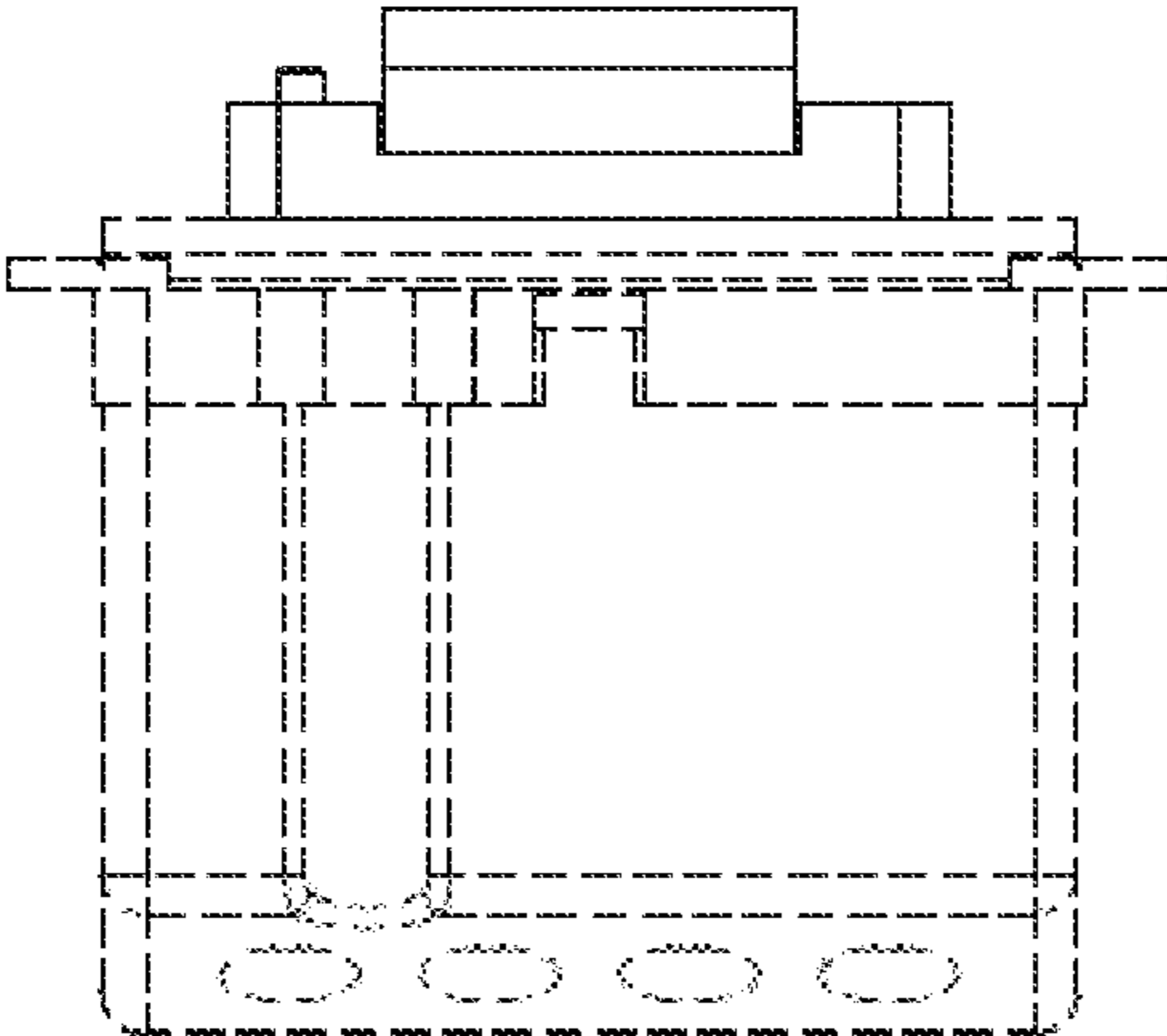


FIG. 5

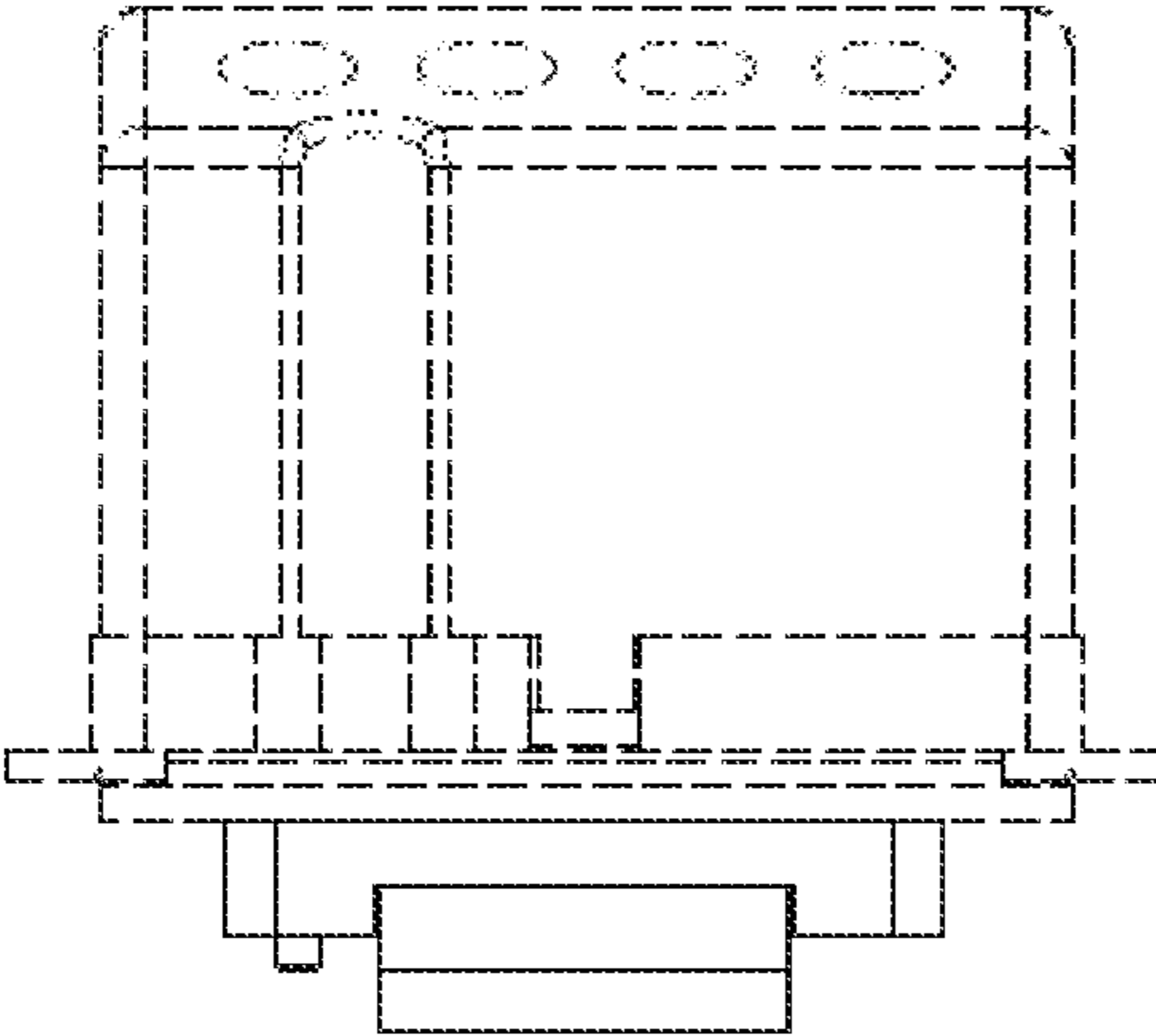


FIG. 6

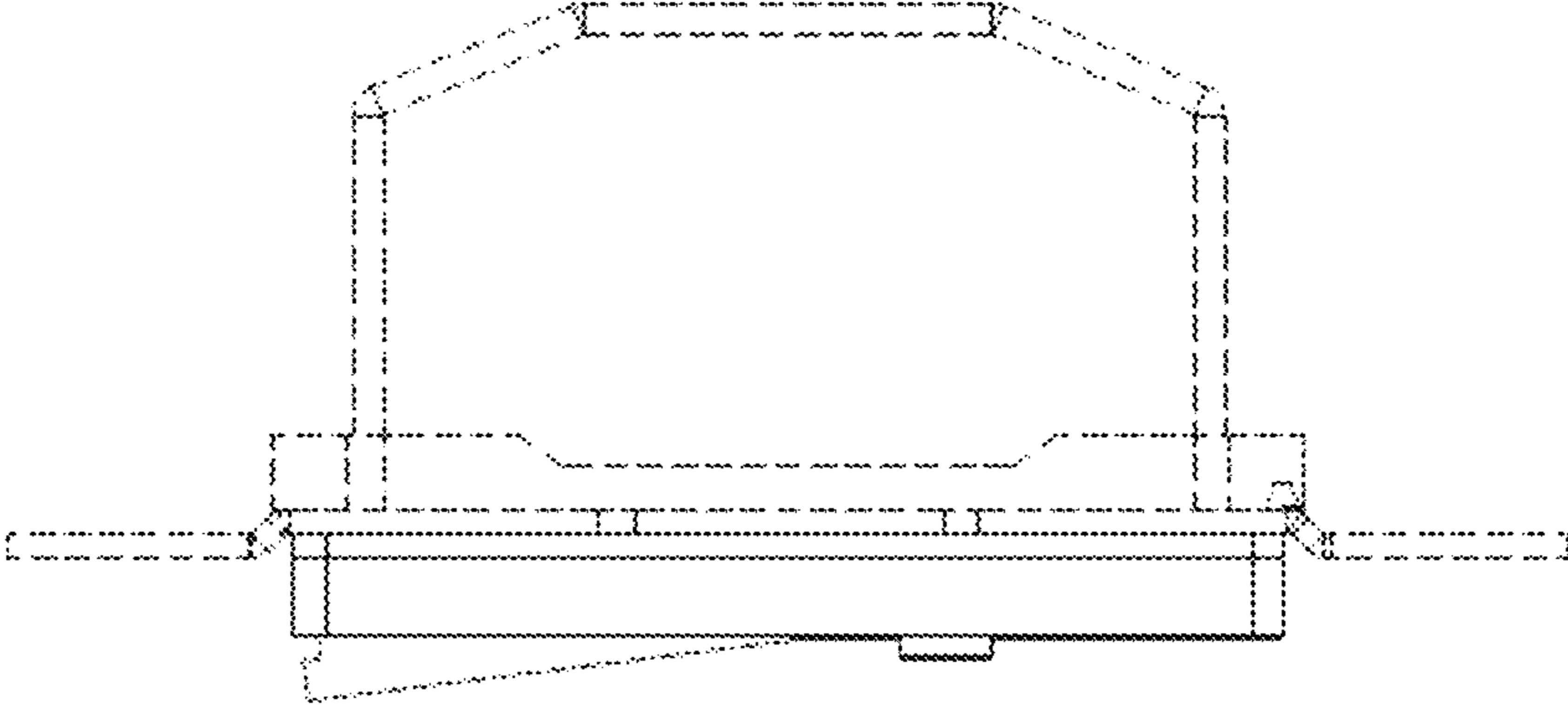


FIG. 7

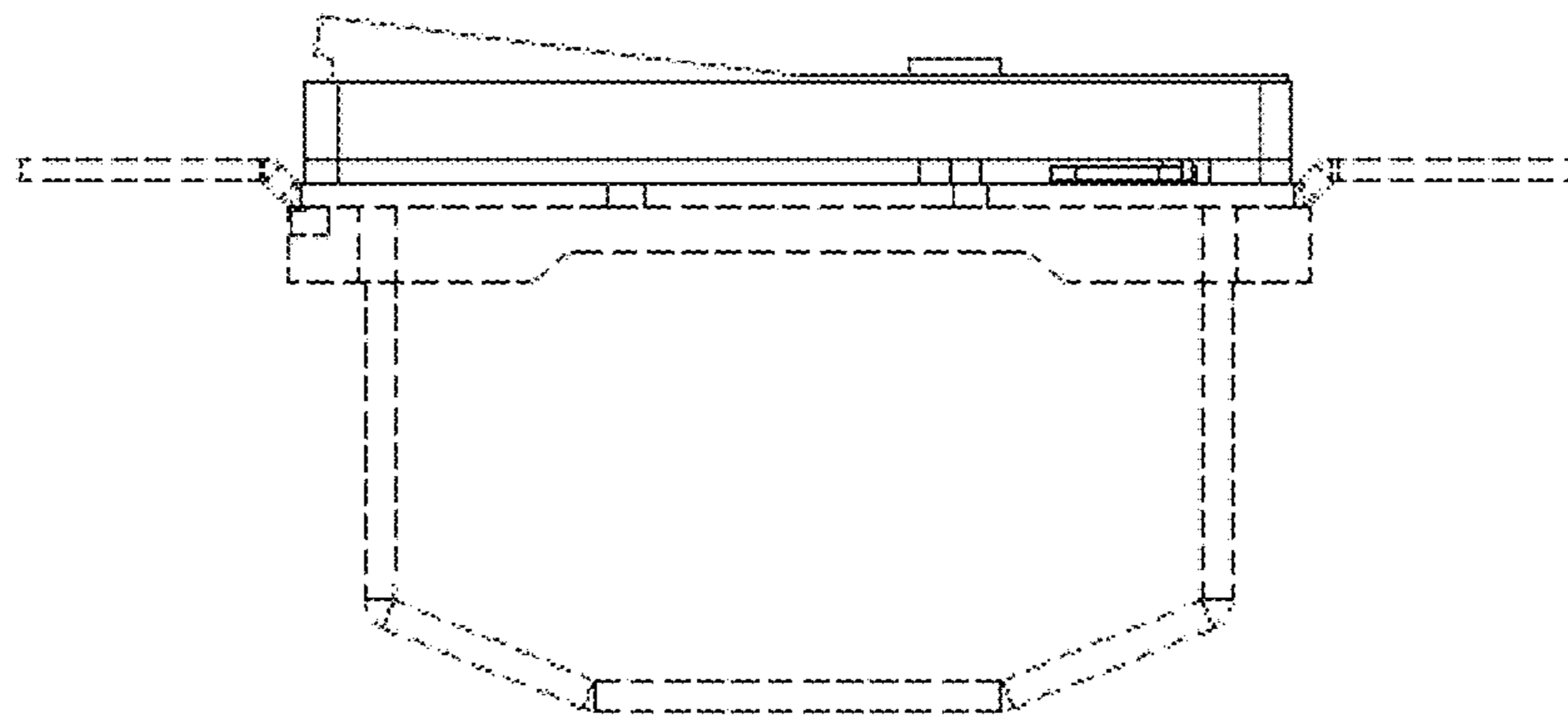


FIG. 8

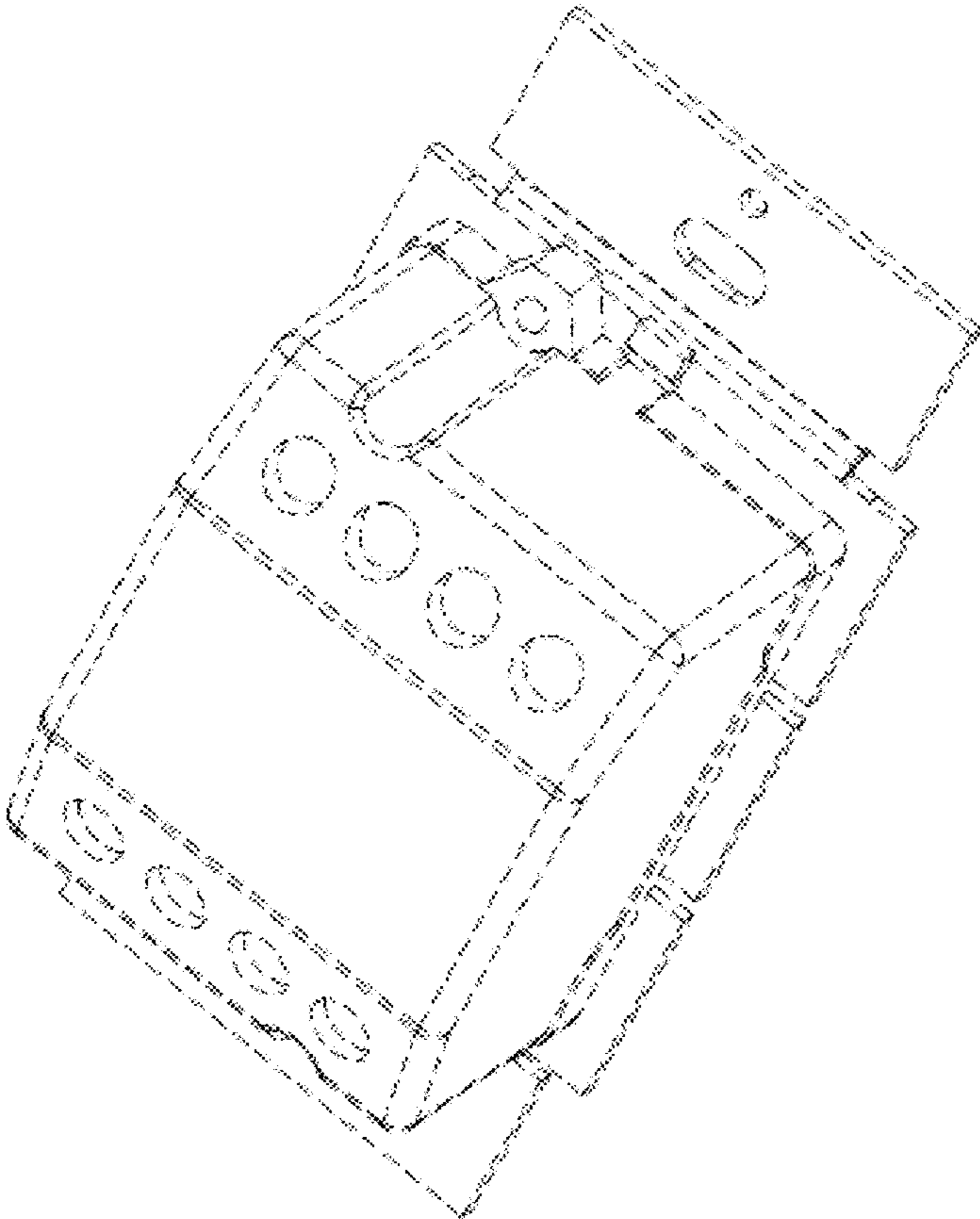


FIG. 9