



US00D821983S

(12) **United States Design Patent**  
**Shah et al.**

(10) **Patent No.:** **US D821,983 S**  
(45) **Date of Patent:** **\*\* Jul. 3, 2018**

(54) **ELECTRONIC DEVICE**

- (71) Applicant: **Amazon Technologies, Inc.**, Seattle, WA (US)
- (72) Inventors: **Ashish Shah**, Lincoln, MA (US); **Seth Kaufman**, Arlington, MA (US); **Gregory Edward Tierney**, Chelmsford, MA (US)
- (73) Assignee: **Amazon Technologies, Inc.**, Seattle, WA (US)
- (\*\*) Term: **15 Years**
- (21) Appl. No.: **29/575,131**

- (22) Filed: **Aug. 22, 2016**
- (51) **LOC (11) Cl.** ..... **14-03**
- (52) **U.S. Cl.**  
USPC ..... **D13/168**; D14/218; D14/388; D14/358
- (58) **Field of Classification Search**  
USPC ..... D14/356, 357, 358, 361, 362, 365, 367, D14/370, 388, 389, 432, 434, 216, 217, D14/218, 240, 242, 299, 125, 129, 130, D14/140, 155, 168, 188, 496, 474, 483, D14/484, 203.1, 203.3, 203.6, 238.1; D13/103, 107, 108, 123, 152, 162, 162.1, D13/163, 168, 184, 199; D10/104.1, D10/106.6, 116.1, 61, 64, 75; D15/199  
CPC ... H04W 88/08; H04W 88/085; H04W 88/00; H04W 88/005; H04W 88/02; H04W 88/12; H04W 88/14; H04W 88/16; H04W 88/18; H04W 4/00; H01Q 1/02; H01Q 1/2291; H01Q 1/246; H04B 1/38; H04B 1/202;

(Continued)

(56) **References Cited**

**U.S. PATENT DOCUMENTS**

- D263,709 S \* 4/1982 Ando ..... D14/155
- D293,088 S \* 12/1987 Brown ..... D10/106.1

(Continued)

**OTHER PUBLICATIONS**

Network Terminal and Transmitter.(Design -© Questel). orbit.com. [online PDF] 6 pgs. Print Dates range Aug. 9, 2006 through Jul. 20, 2007. [Retrieved on Nov. 9, 2017] <https://sobjprd.questel.fr/export/QPTUJ214/pdf2/45031055-332a-44c4-bf35-a05bddd1e2e3-172537.pdf>.\*

*Primary Examiner* — Susan Bennett Hattan  
*Assistant Examiner* — Marie D. Fast Horse  
(74) *Attorney, Agent, or Firm* — Lee & Hayes, PLLC

(57) **CLAIM**

The ornamental design for an electronic device, as shown and described.

**DESCRIPTION**

FIG. 1 is a perspective view of an electronic device in accordance with our new design shown being held in a human hand;

FIG. 2 is a perspective view of the electronic device as shown in FIG. 1;

FIG. 3 is a front view of the electronic device as shown in FIG. 1;

FIG. 4 is a back view of the electronic device as shown in FIG. 1;

FIG. 5 is a right-side view of the electronic device as shown in FIG. 1;

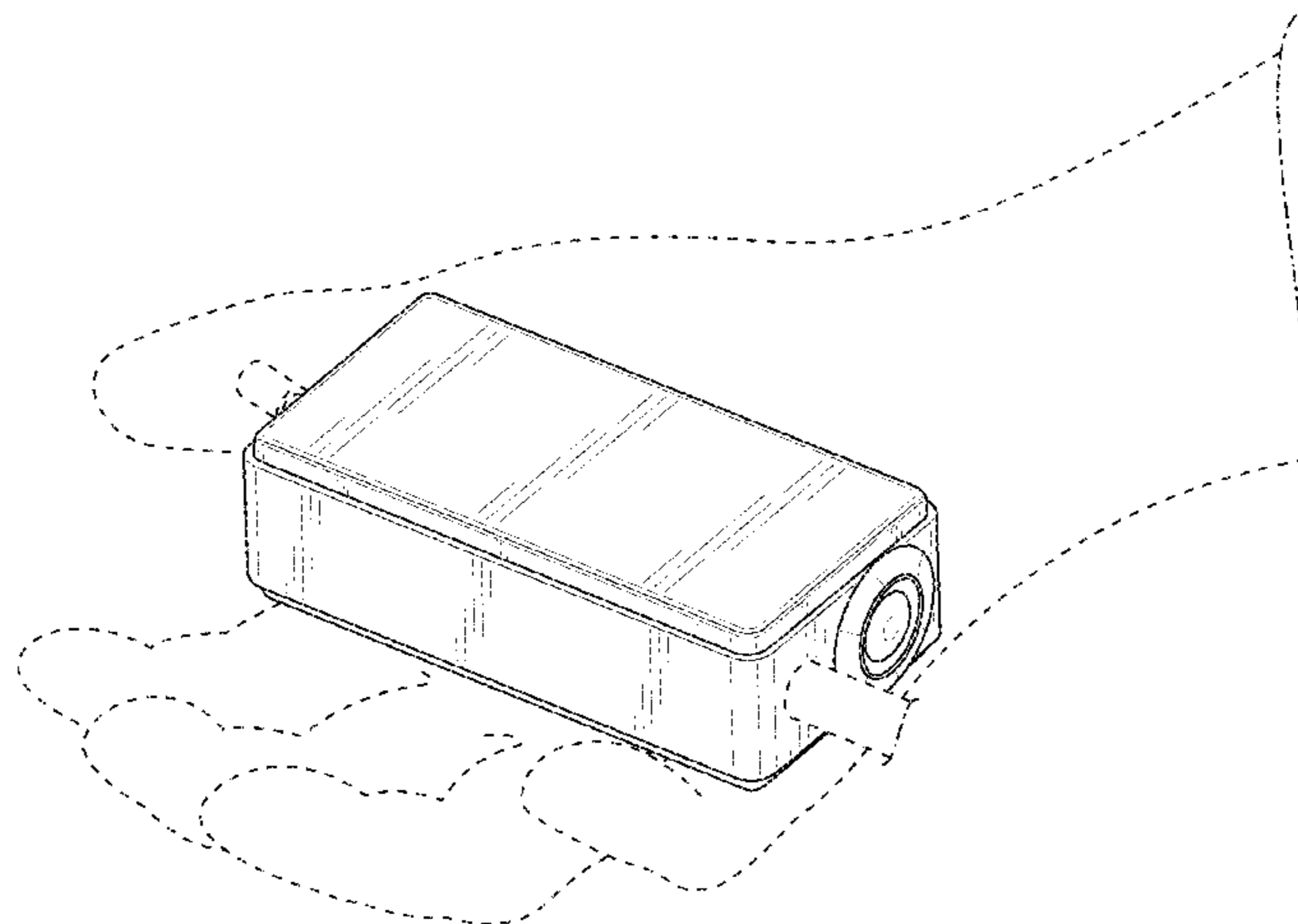
FIG. 6 is a left-side view of the electronic device as shown in FIG. 1;

FIG. 7 is a top view of the electronic device as shown in FIG. 1; and,

FIG. 8 is a bottom view of the electronic device as shown in FIG. 1.

The broken lines in FIG. 1 showing the human hand depict environmental subject matter only and form no part of the claimed design. Broken lines consisting of a dot and a dash depict a break in the subject matter's length and form no part of the claimed design. All other broken lines depict portions of the electronic device that form no part of the claimed design.

**1 Claim, 8 Drawing Sheets**



(58) **Field of Classification Search**

CPC ..... H03J 9/02; G05B 2219/31076; G05B  
 2219/39009; G05B 2219/50198; G05B  
 19/00; G05B 19/0423; G05B 19/0425;  
 B25J 13/00; G05G 9/00

See application file for complete search history.

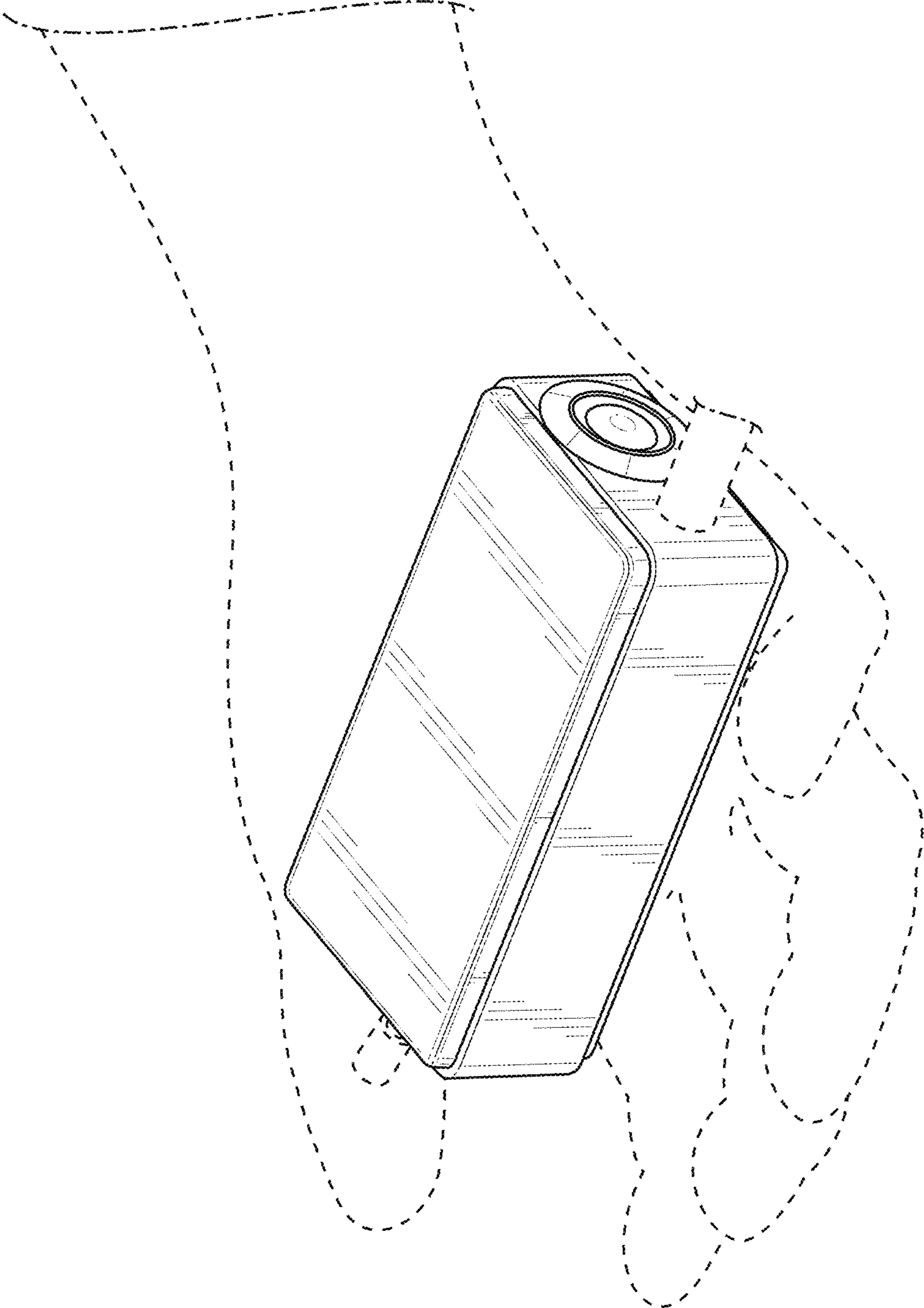
(56) **References Cited**

U.S. PATENT DOCUMENTS

D297,518	S	*	9/1988	Yuen	.....	D10/106.1
D303,638	S	*	9/1989	Andrews, Sr.	.....	D10/106.1
D307,415	S	*	4/1990	Holmer	.....	D13/164
D349,491	S	*	8/1994	Copper	.....	D14/388
D392,260	S	*	3/1998	Brunner	.....	D14/388
D411,539	S	*	6/1999	Nagai	.....	D14/218
D483,348	S	*	12/2003	Nishii	.....	D14/188
D523,414	S	*	6/2006	Kobayashi	.....	D14/188
D540,774	S	*	4/2007	Alwicker	.....	D14/155
D567,768	S	*	4/2008	Lee et al.	.....	D13/168
D577,724	S	*	9/2008	Henne	.....	D14/401
D582,357	S	*	12/2008	Decosse	.....	D13/168
D584,695	S	*	1/2009	Hilsbos	.....	D13/168
D603,834	S	*	11/2009	Lyman	.....	D14/155
D609,687	S	*	2/2010	Lyman	.....	D14/155
D609,701	S	*	2/2010	Hou	.....	D14/358
D639,736	S	*	6/2011	Su	.....	D13/110
D646,280	S	*	10/2011	Yano	.....	D14/188

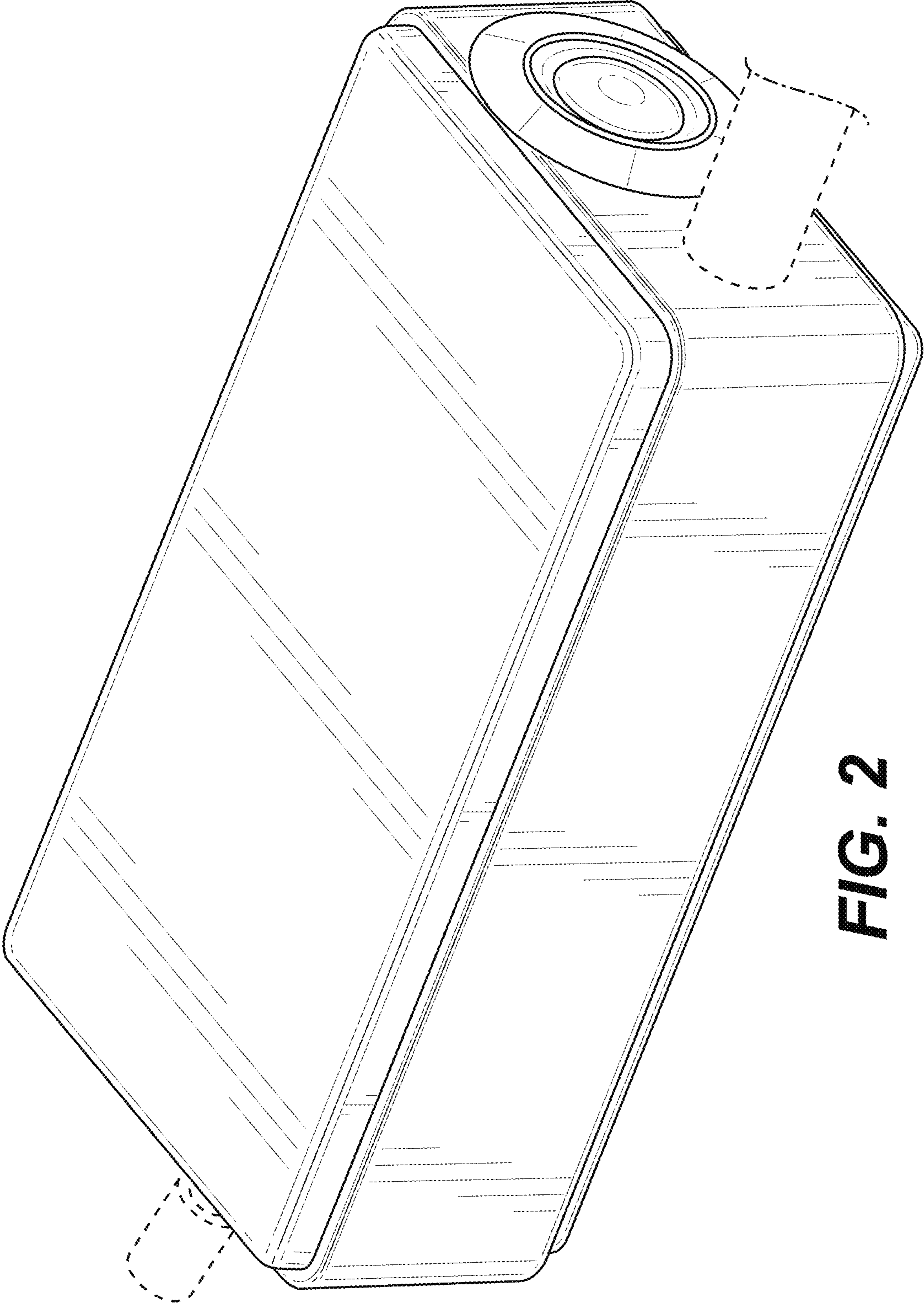
D653,662	S	*	2/2012	Park	.....	D14/358
D659,106	S	*	5/2012	Paul	.....	D13/168
D664,501	S	*	7/2012	Inskeep	.....	D13/107
D667,380	S	*	9/2012	Ishikawa	.....	D13/168
D682,196	S	*	5/2013	Leung	.....	D13/103
D692,956	S	*	11/2013	Kitamura	.....	D21/324
D693,798	S	*	11/2013	Chuang	.....	D14/240
D697,865	S	*	1/2014	Saito	.....	D13/103
D699,177	S	*	2/2014	Higashi	.....	D13/103
D705,719	S	*	5/2014	Wong	.....	D13/103
D714,214	S	*	9/2014	Wikel	.....	D13/107
D720,304	S	*	12/2014	Haug	.....	D13/168
D726,295	S	*	4/2015	Kim	.....	D23/351
D728,467	S	*	5/2015	Hasbrook	.....	D13/103
D733,043	S	*	6/2015	Hasbrook	.....	D13/103
D735,403	S	*	7/2015	Che	.....	D13/110
D762,168	S	*	7/2016	Sandoval	.....	D13/107
D766,827	S	*	9/2016	Chen	.....	D13/110
D767,486	S	*	9/2016	Yu	.....	D13/103
D767,510	S	*	9/2016	Zheng	.....	D13/168
D768,114	S	*	10/2016	Hou	.....	D13/168
D769,830	S	*	10/2016	Clymer	.....	D13/168
D770,316	S	*	11/2016	Wilkinson	.....	D10/106.2
D790,483	S	*	6/2017	Yoon	.....	D13/168
D793,969	S	*	8/2017	Couture	.....	D13/168
D798,811	S	*	10/2017	Liao	.....	D13/110
2006/0213756	A1	*	9/2006	Takachi	.....	G02B 6/3552 200/302.2

\* cited by examiner

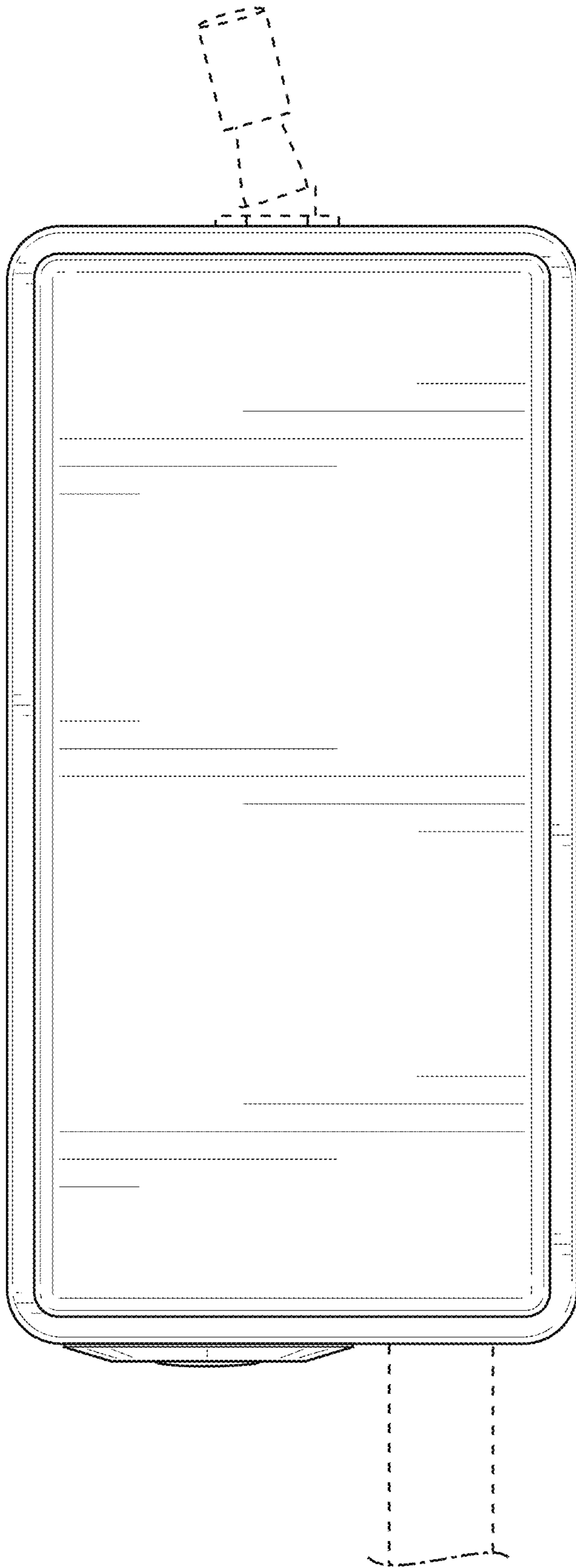


**FIG. 1**

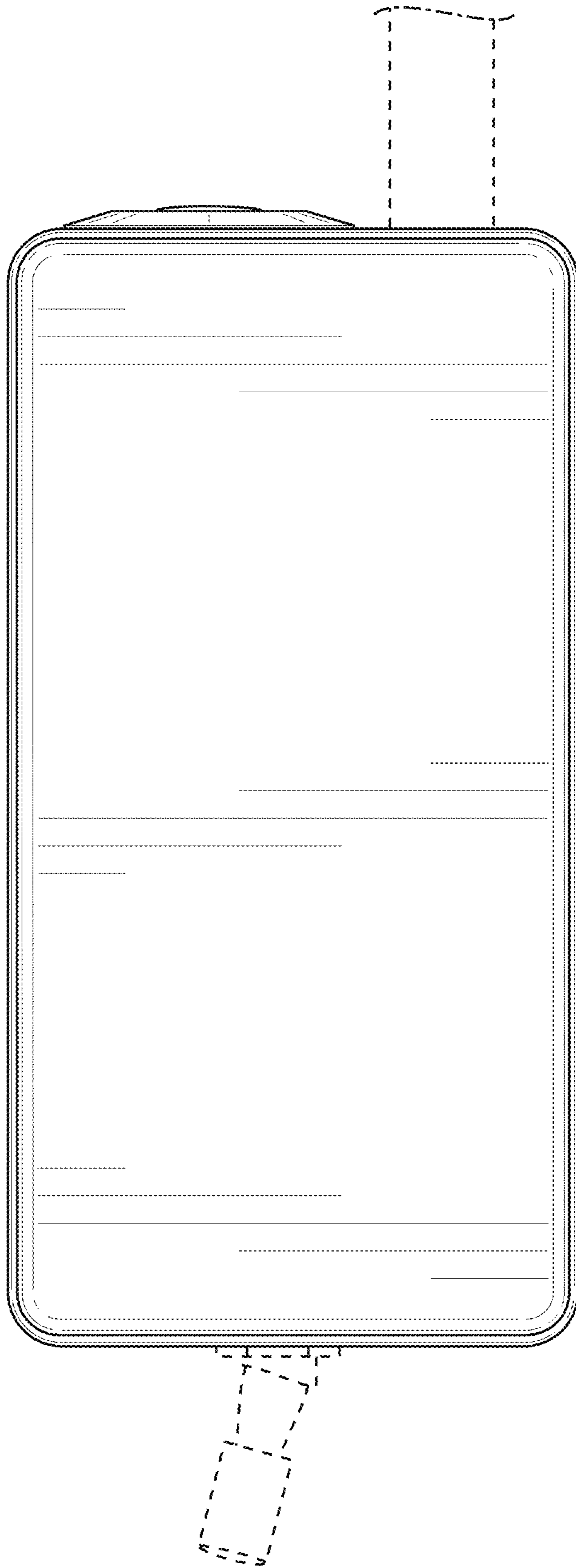




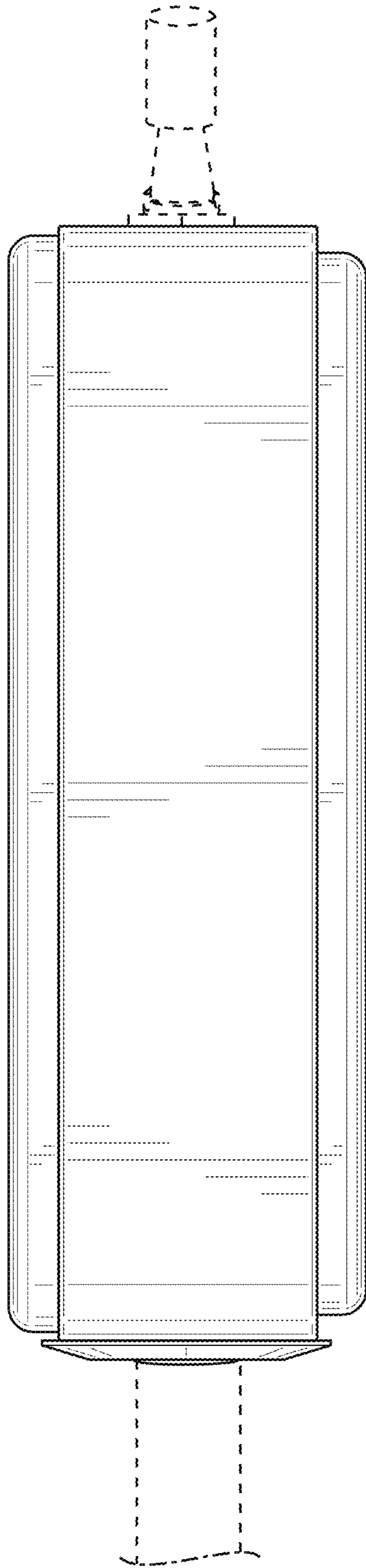
**FIG. 2**



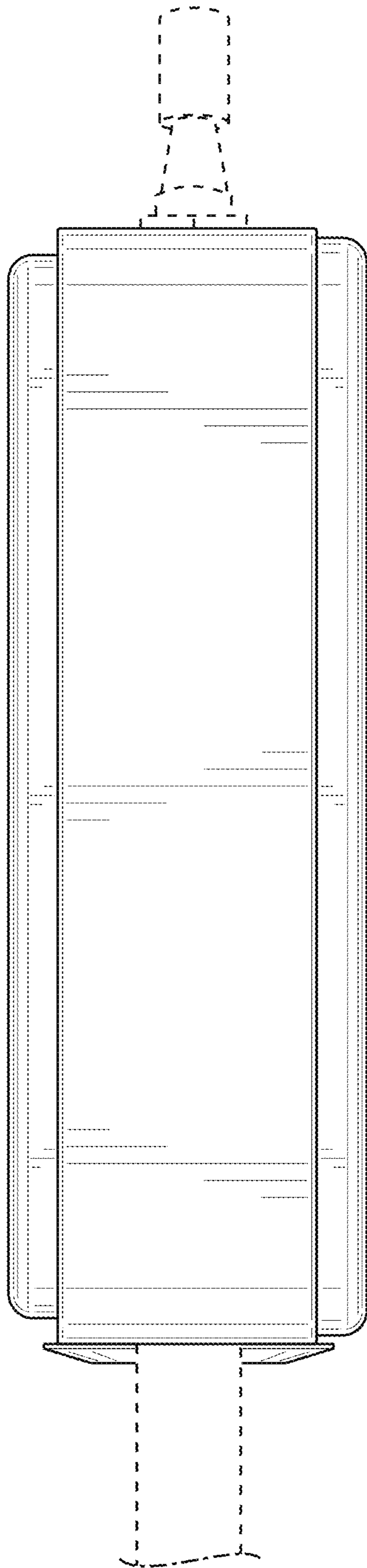
**FIG. 3**



**FIG. 4**

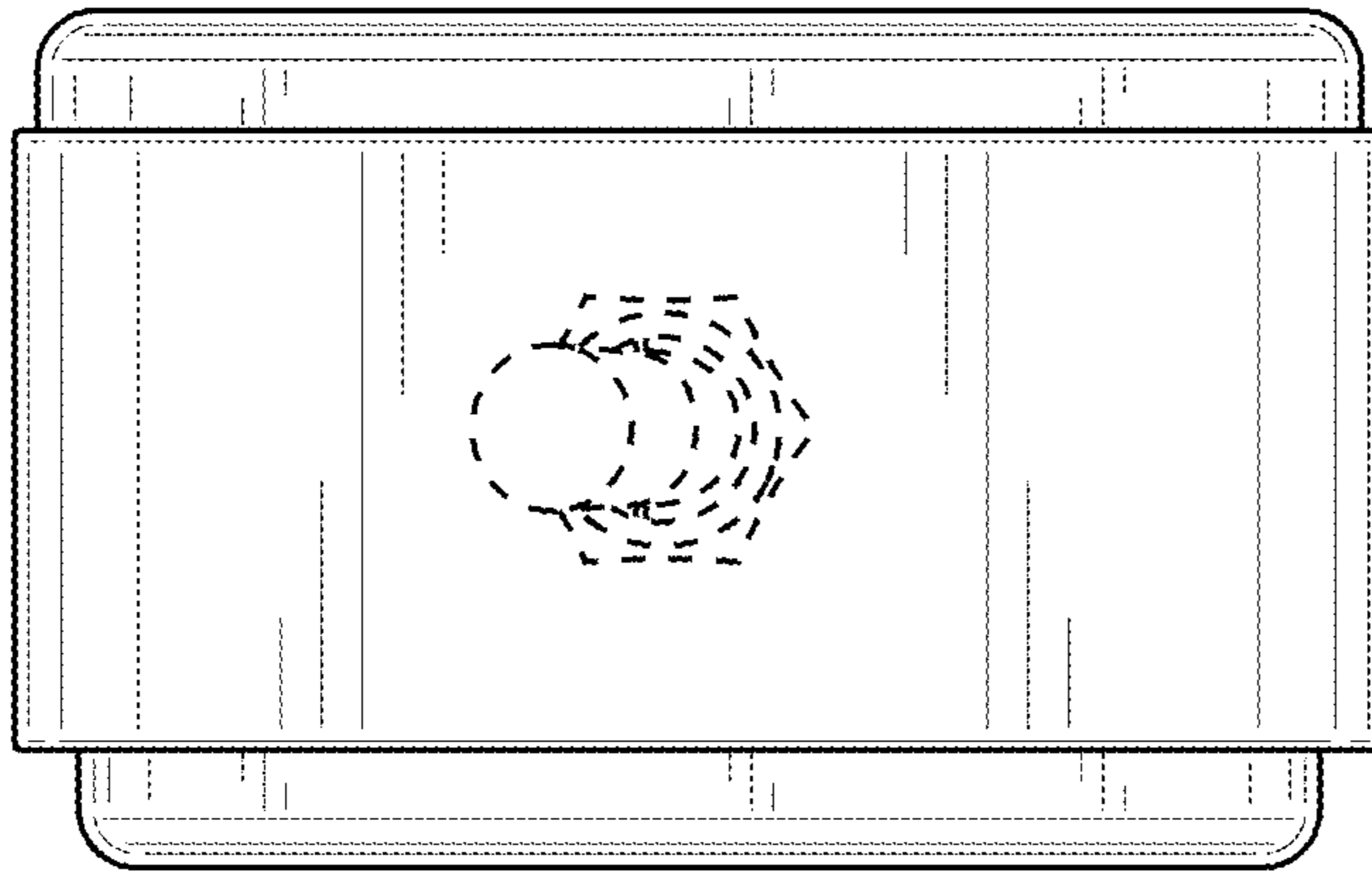


**FIG. 5**

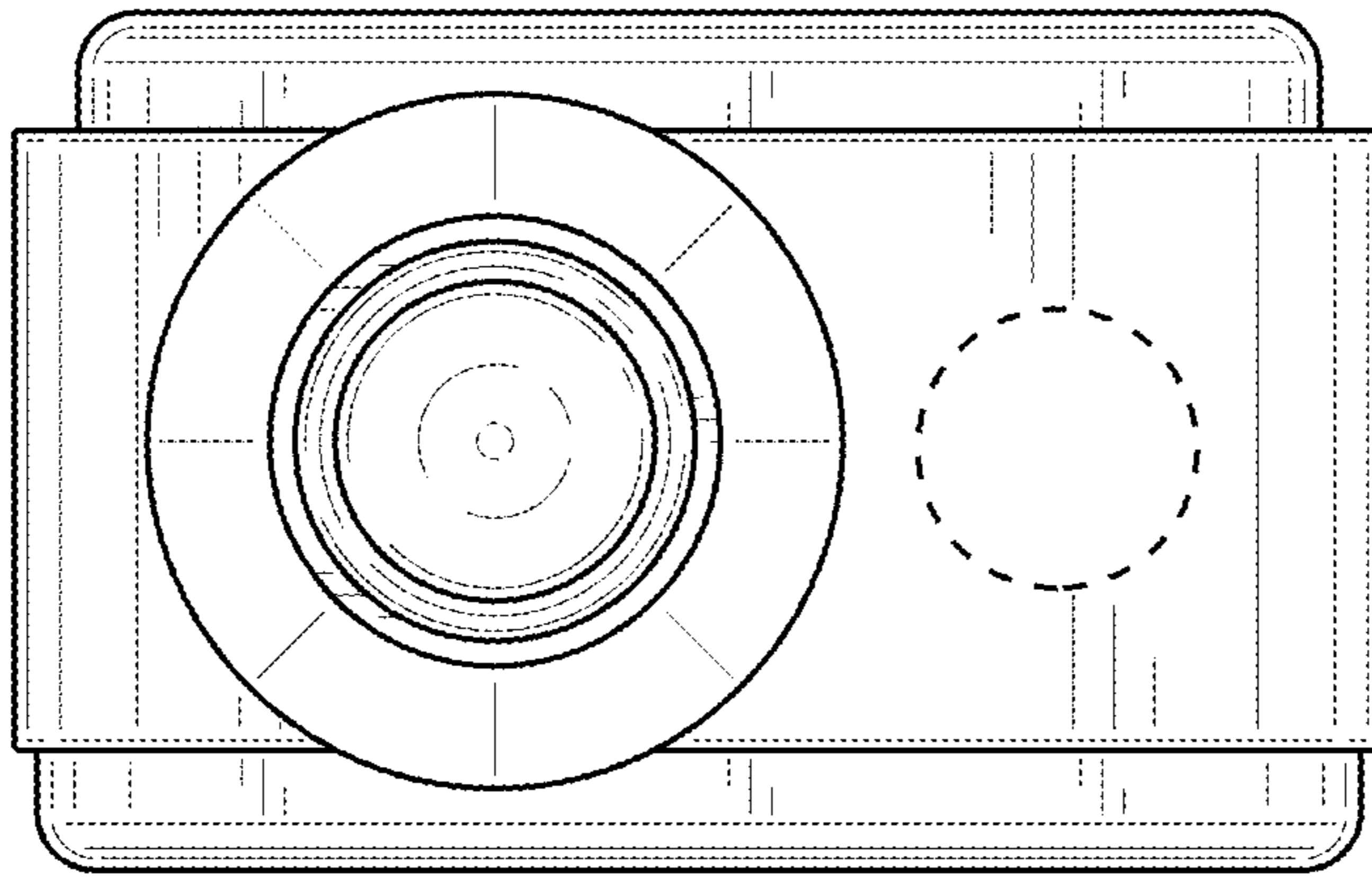


**FIG. 6**





**FIG. 7**



**FIG. 8**