



US00D821981S

(12) **United States Design Patent**  
**Liu et al.**

(10) **Patent No.:** **US D821,981 S**  
(45) **Date of Patent:** **\*\* Jul. 3, 2018**

- (54) **RECEPTACLE ASSEMBLY**
- (71) Applicant: **Symbol Technologies, LLC**, Holtsville, NY (US)
- (72) Inventors: **Jin Liu**, Mississauga (CA); **Sunghun Lim**, Bethpage, NY (US); **Andrew Ellis**, Kitchener (CA)
- (73) Assignee: **Symbol Technologies, LLC**, Holtsville, NY (US)

- D435,017 S \* 12/2000 Hwang ..... D13/147
- D524,753 S \* 7/2006 Asakawa ..... D13/147
- D524,754 S \* 7/2006 Asakawa ..... D13/147
- D555,102 S \* 11/2007 Xiao ..... D13/147
- D556,690 S \* 12/2007 Ikegami ..... D13/147
- D563,887 S \* 3/2008 Dever ..... D13/147
- D601,140 S \* 9/2009 Choi et al. .... D13/147
- D706,721 S \* 6/2014 Naito ..... D13/147
- D706,724 S \* 6/2014 McCartin ..... D13/147
- D786,798 S \* 5/2017 Yokoyama ..... D13/147
- D801,278 S \* 10/2017 Li ..... D13/147
- D802,534 S \* 11/2017 Endo ..... D13/133
- D802,539 S \* 11/2017 Shioda ..... D13/147

(\*\*) Term: **15 Years**

(21) Appl. No.: **29/561,009**

(22) Filed: **Apr. 12, 2016**

(51) **LOC (11) Cl.** ..... **13-03**

(52) **U.S. Cl.**  
USPC ..... **D13/147**

(58) **Field of Classification Search**  
USPC ..... D14/432, 433, 435.1, 196, 496, 199;  
D13/103, 108, 109, 110, 133,  
D13/137.1–137.4, 138.1–138.2,  
D13/139.1–139.8, 146, 147, 151,  
D13/152–156, 173, 177, 162, 158, 184,  
D13/107; D8/350, 353–356, 358, 402,  
D8/403; D25/108, 122, 124, 119, 121;  
D23/259, 262; D21/699  
CPC .... H01R 25/00; H01R 25/006; H01R 25/003;  
H01R 13/5845; H01R 13/72; H01R  
13/46; H01R 31/06; H01R 24/28; H01R  
11/00; H01R 9/00; H01B 7/2806; H02J  
2007/0062

See application file for complete search history.

(56) **References Cited**

**U.S. PATENT DOCUMENTS**

- D327,879 S \* 7/1992 Lou ..... D13/147
- D361,989 S \* 9/1995 Cox ..... D13/147

**OTHER PUBLICATIONS**

Motorola Solutions, Inc., WT41N0 Wearable Terminal User Guide, Nov. 2012.

\* cited by examiner

*Primary Examiner* — Rosemary K Tarcza  
*Assistant Examiner* — Christy Nemeth

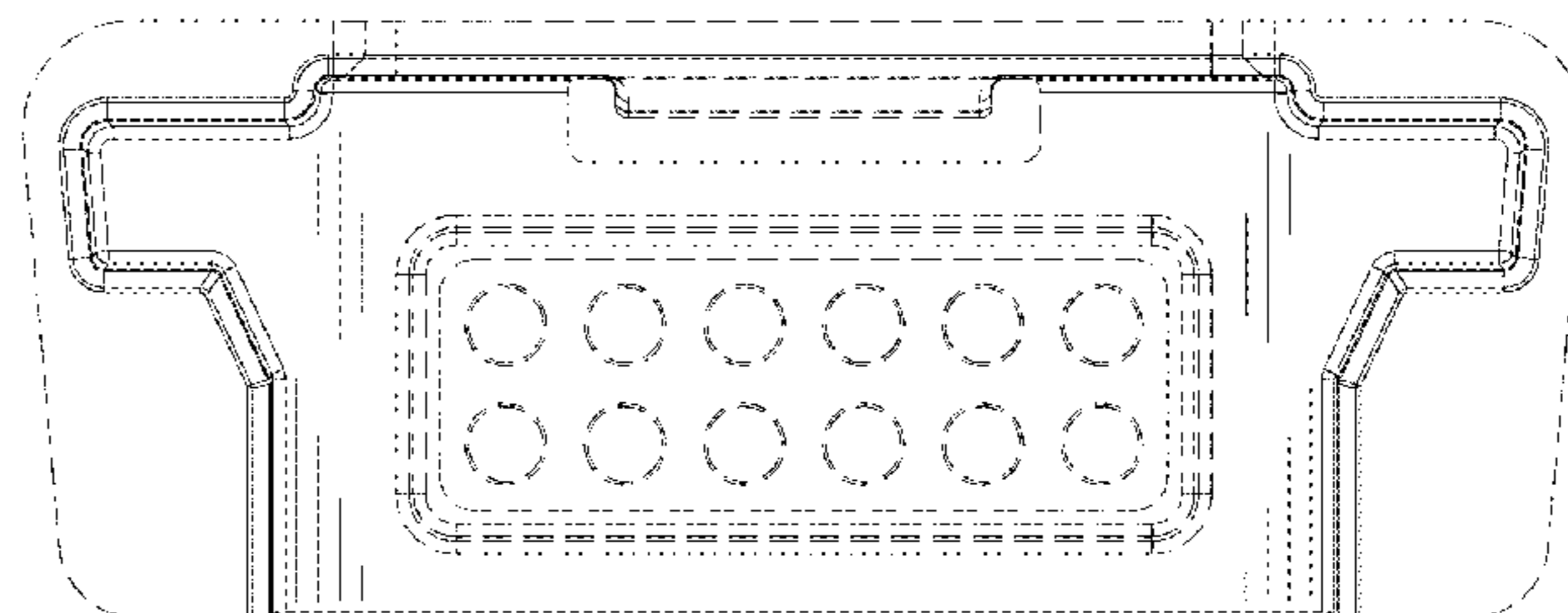
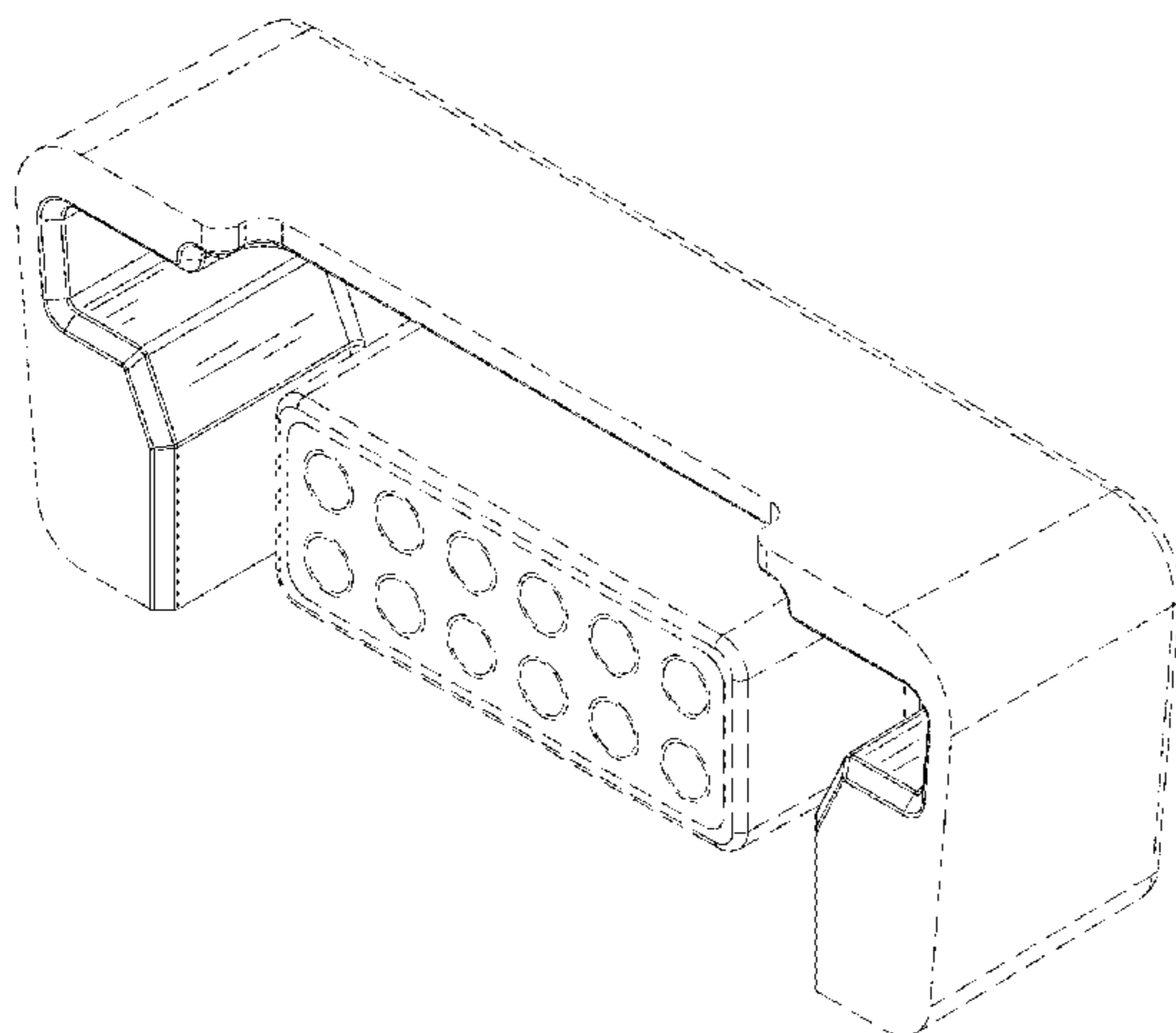
(57) **CLAIM**

We claim the ornamental design for a receptacle assembly, as shown and described.

**DESCRIPTION**

FIG. 1 is a perspective view of a receptacle assembly disclosed herein;  
FIG. 2 is another perspective view thereof;  
FIG. 3 is a top view thereof;  
FIG. 4 is a bottom view thereof;  
FIG. 5 is a front view thereof;  
FIG. 6 is a back view thereof;  
FIG. 7 is a first side view thereof; and,  
FIG. 8 is a second side view thereof.  
The broken lines in the drawings are for the purpose of illustrating portions of the receptacle assembly that form no part of the claimed design.

**1 Claim, 5 Drawing Sheets**



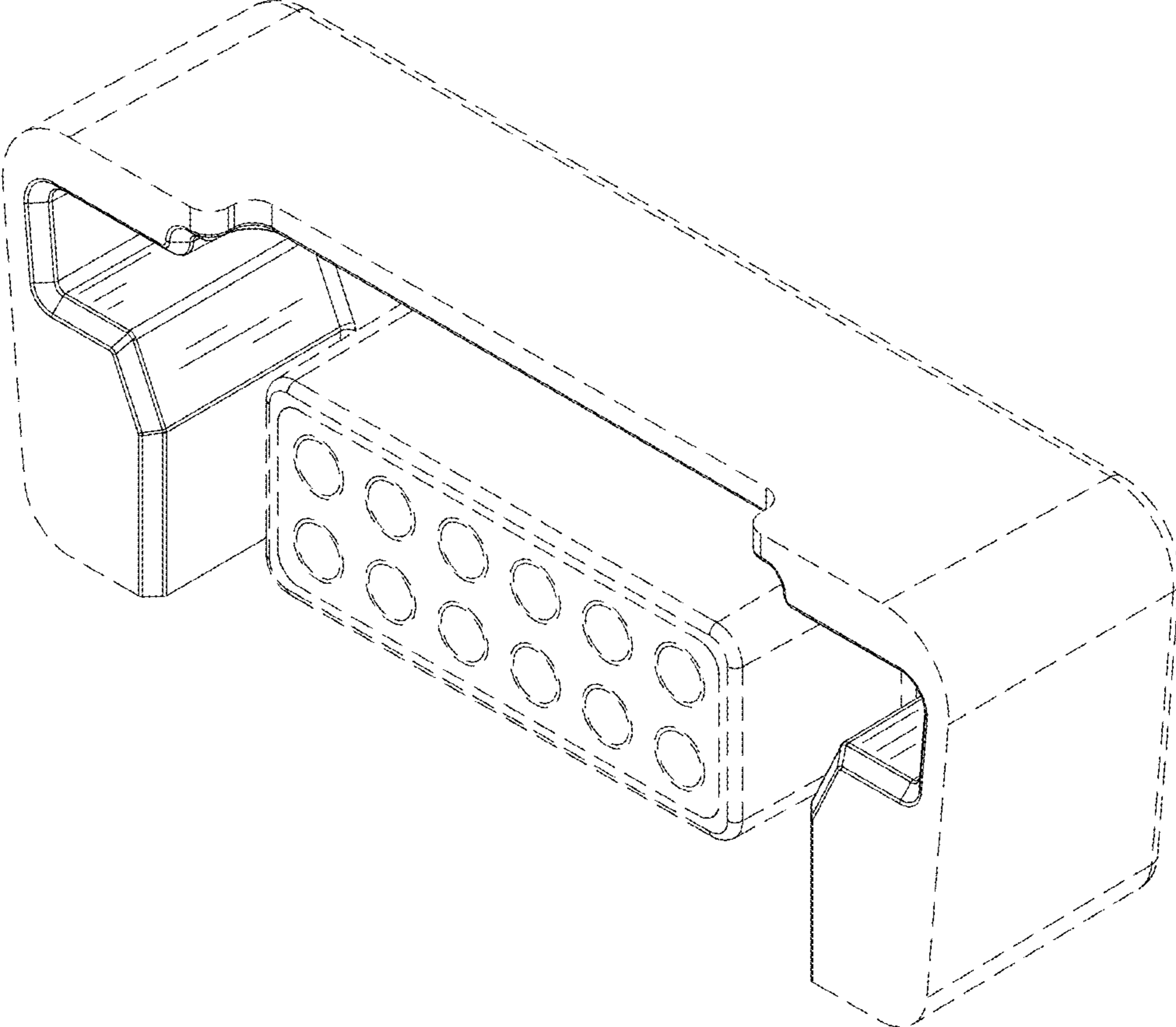


FIG. 1

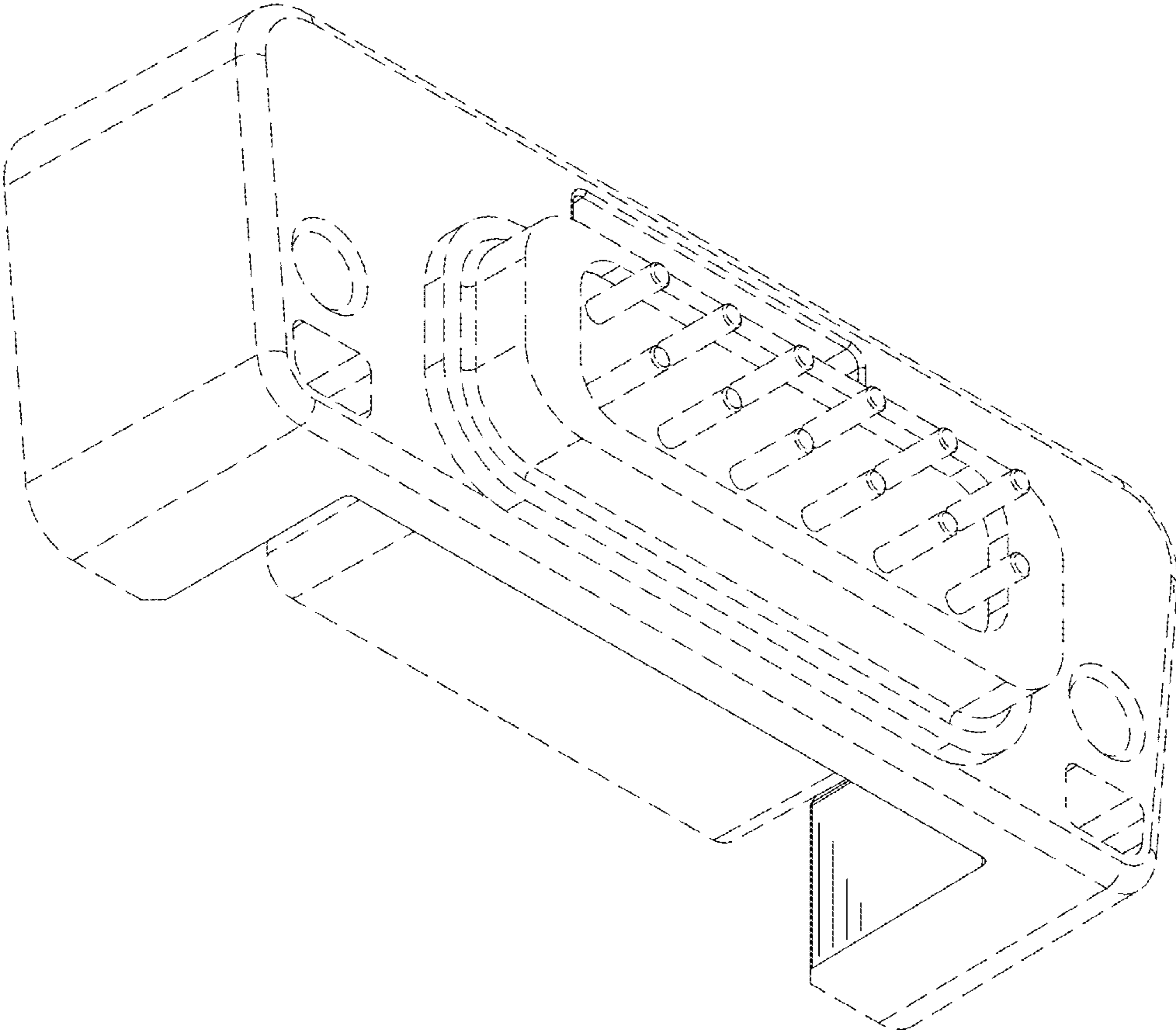


FIG. 2

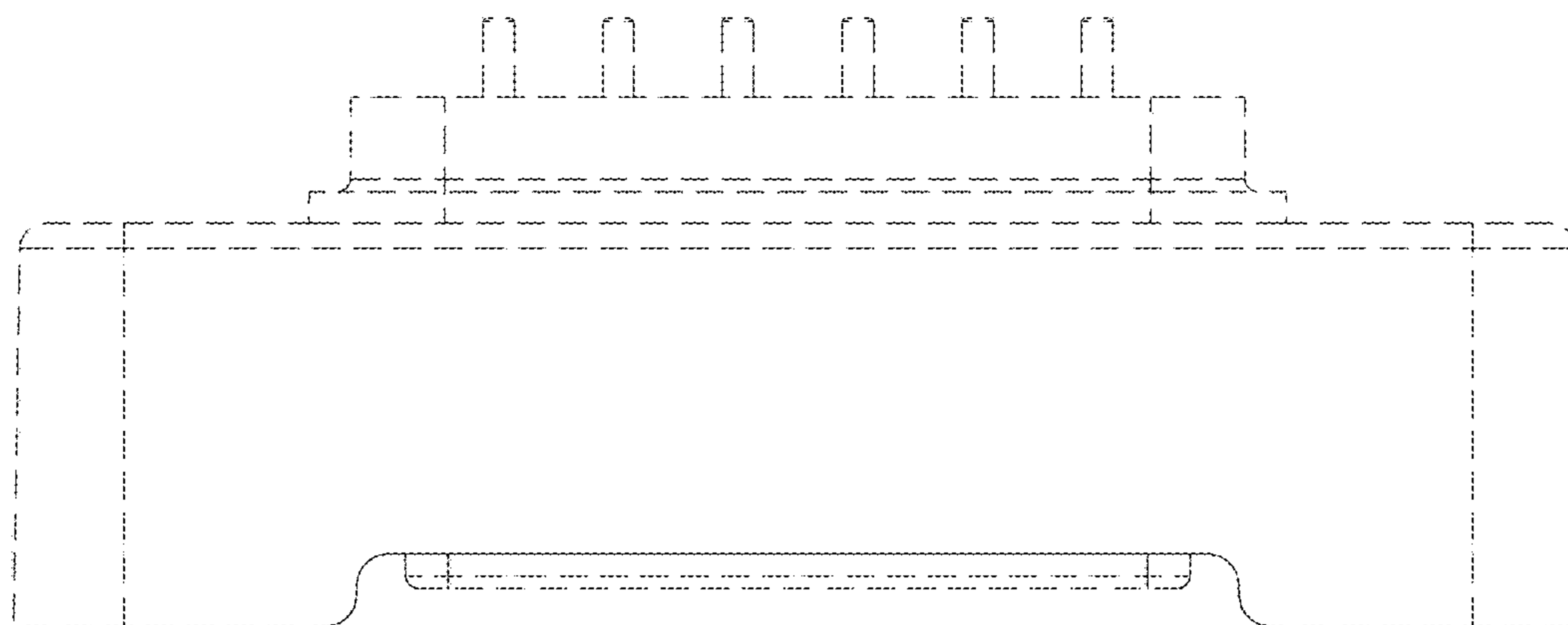


FIG. 3

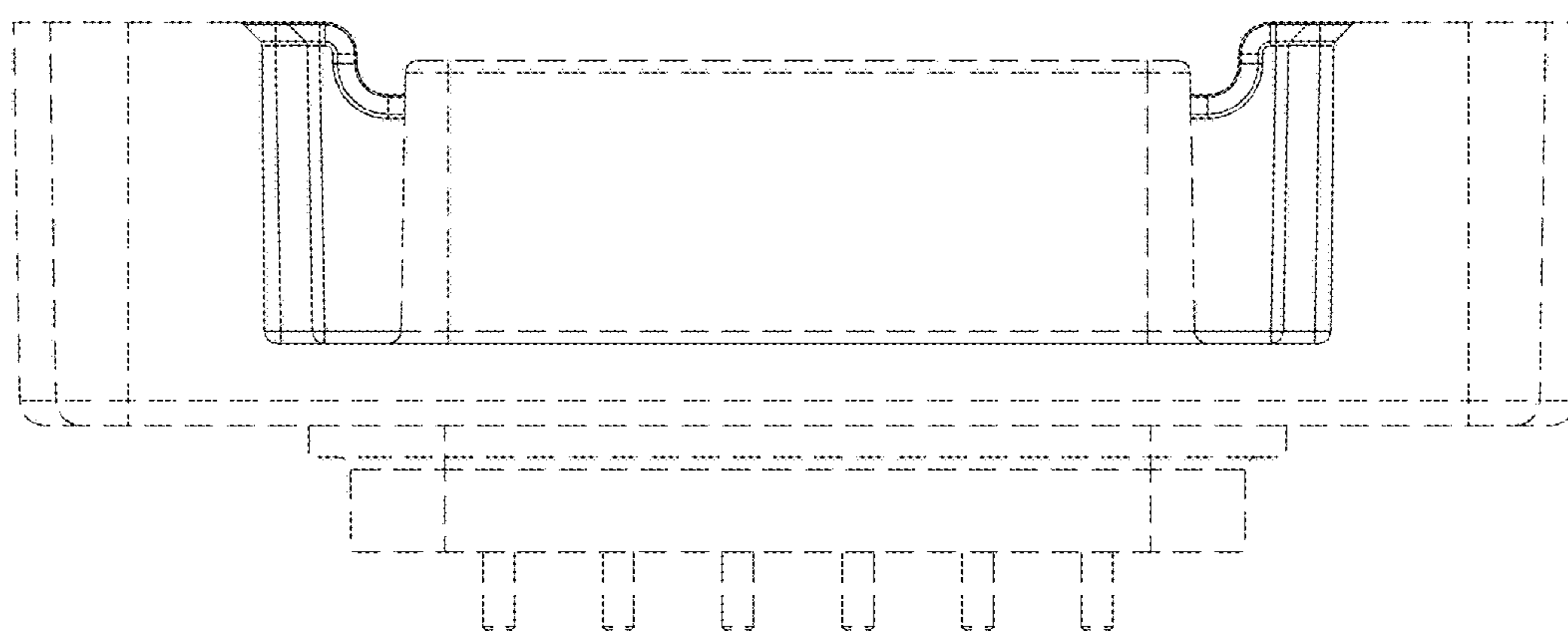


FIG. 4

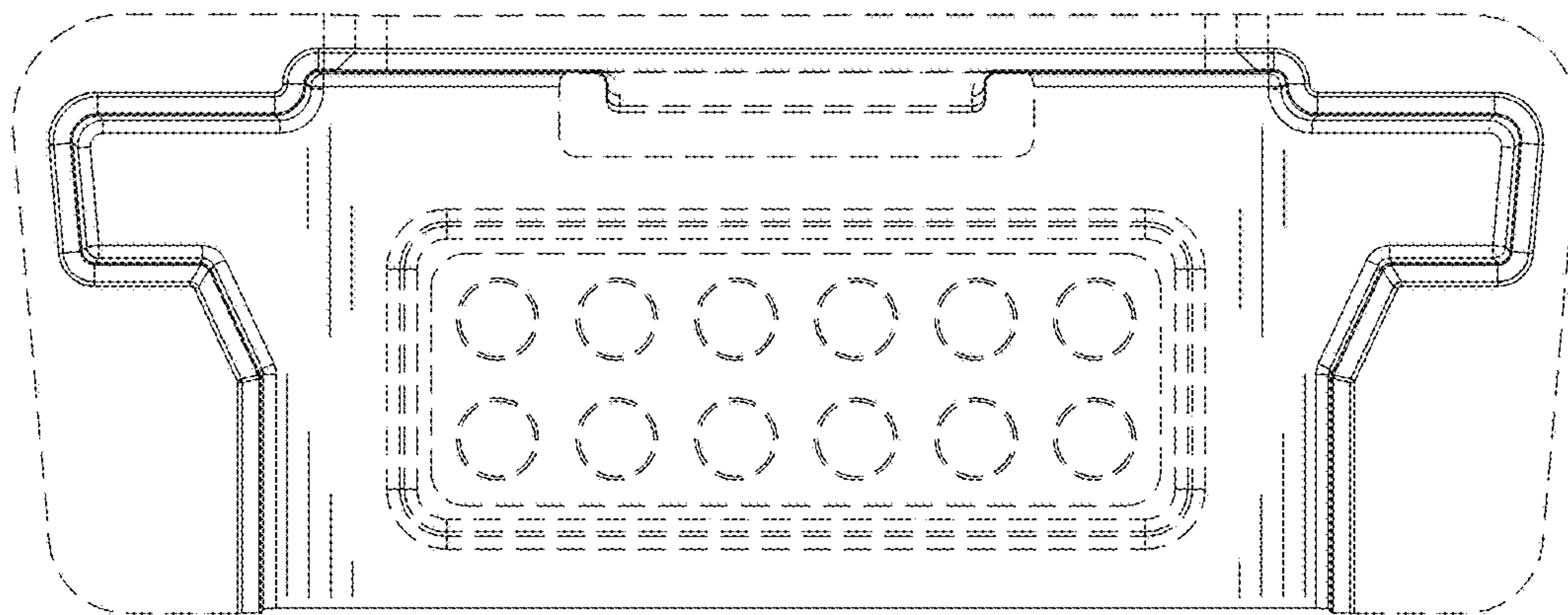


FIG. 5

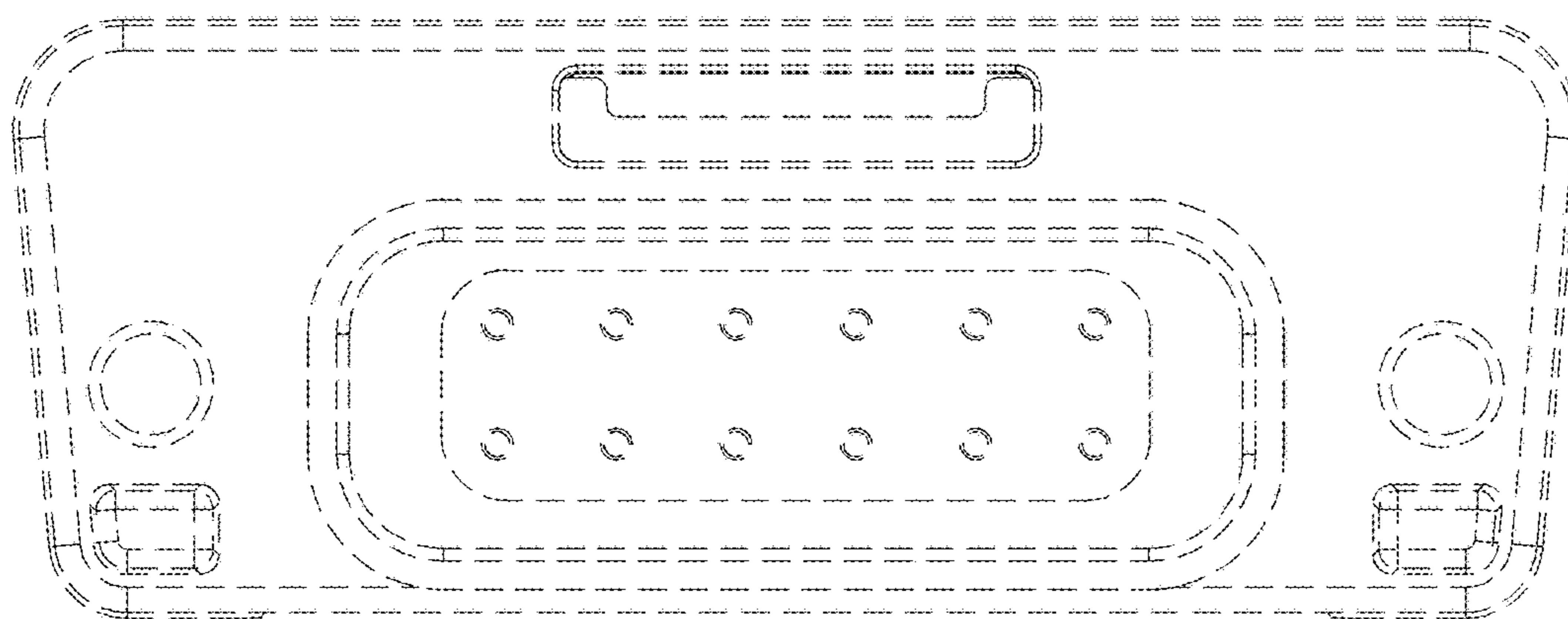


FIG. 6

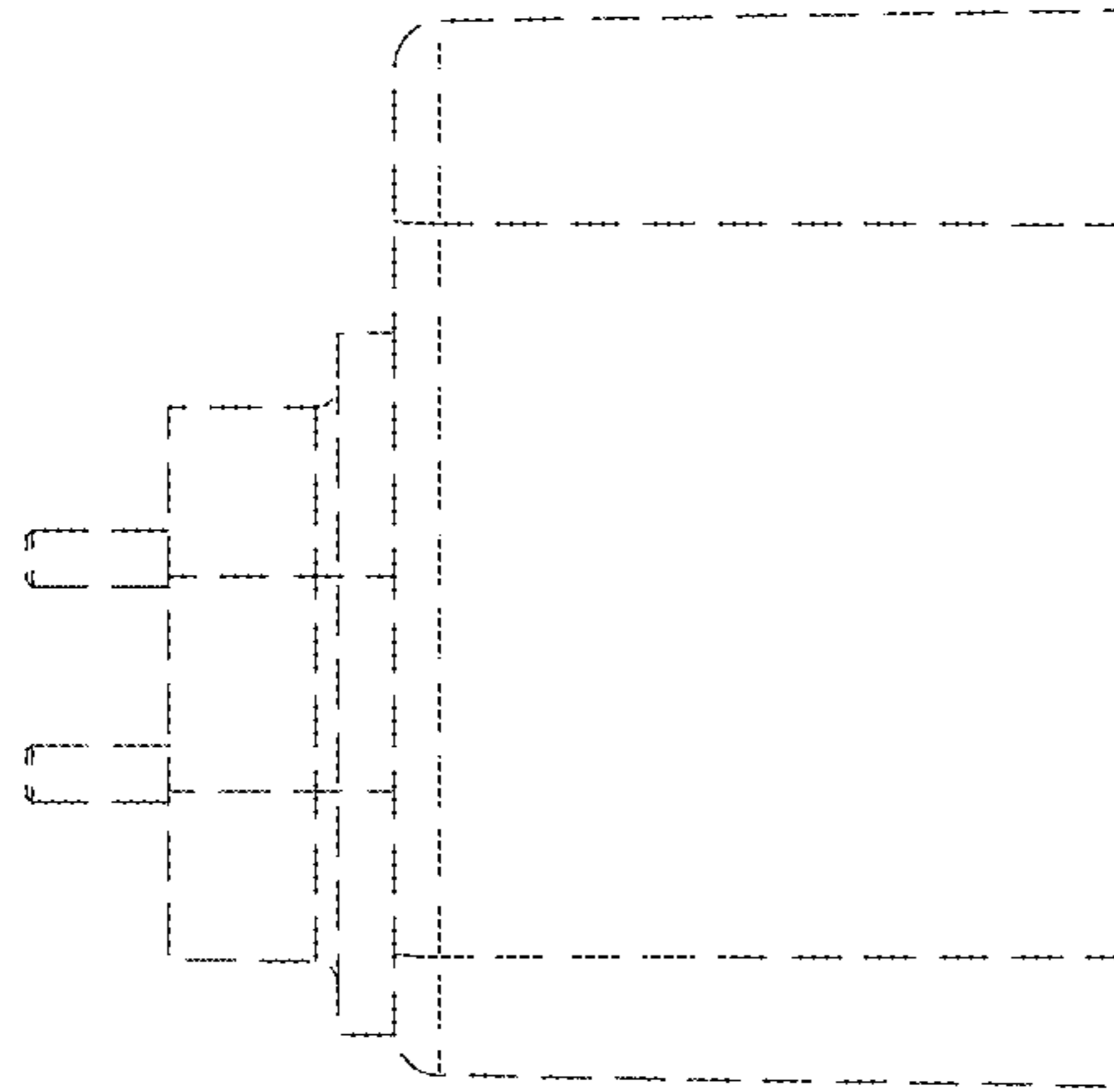


FIG. 7

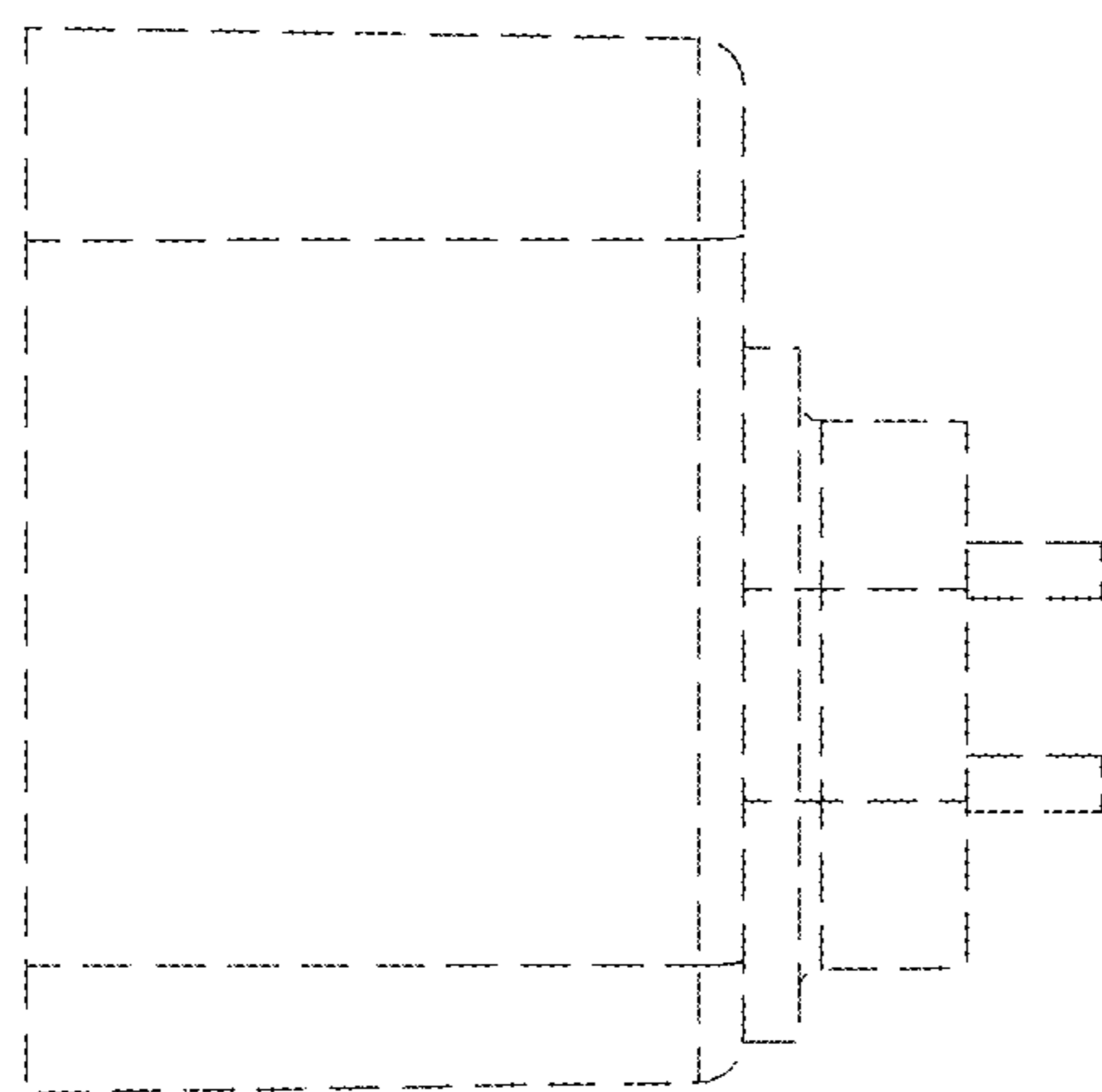


FIG. 8