



US00D821980S

(12) **United States Design Patent** (10) **Patent No.:** **US D821,980 S**
Cousineau et al. (45) **Date of Patent:** **** Jul. 3, 2018**

(54) **POWER CONNECTOR AND CLIP COMBINATION**

- (71) Applicant: **GBATTERIES ENERGY INC.**,
Mountain View, CA (US)
- (72) Inventors: **Tiziano Cousineau**, Ottawa (CA);
Tymofiy Sherstyuk, Ottawa (CA)
- (73) Assignee: **GBATTERIES ENERGY INC.**,
Mountain View, CA (US)
- (*) Notice: This patent is subject to a terminal disclaimer.
- (**) Term: **15 Years**
- (21) Appl. No.: **29/531,128**
- (22) Filed: **Jun. 23, 2015**
- (51) **LOC (11) Cl.** **13-03**
- (52) **U.S. Cl.**
USPC **D13/147**
- (58) **Field of Classification Search**
USPC D13/133, 146, 147, 154, 184, 199
(Continued)

(56) **References Cited**

U.S. PATENT DOCUMENTS

- D718,241 S * 11/2014 Gretz D13/139.5
- D734,271 S * 7/2015 Tosto D13/147
- 2016/0104966 A1 * 4/2016 Cousineau H01R 13/502
439/38

* cited by examiner

Primary Examiner — Daniel Bui

(74) *Attorney, Agent, or Firm* — Fountainhead Law Group P.C.

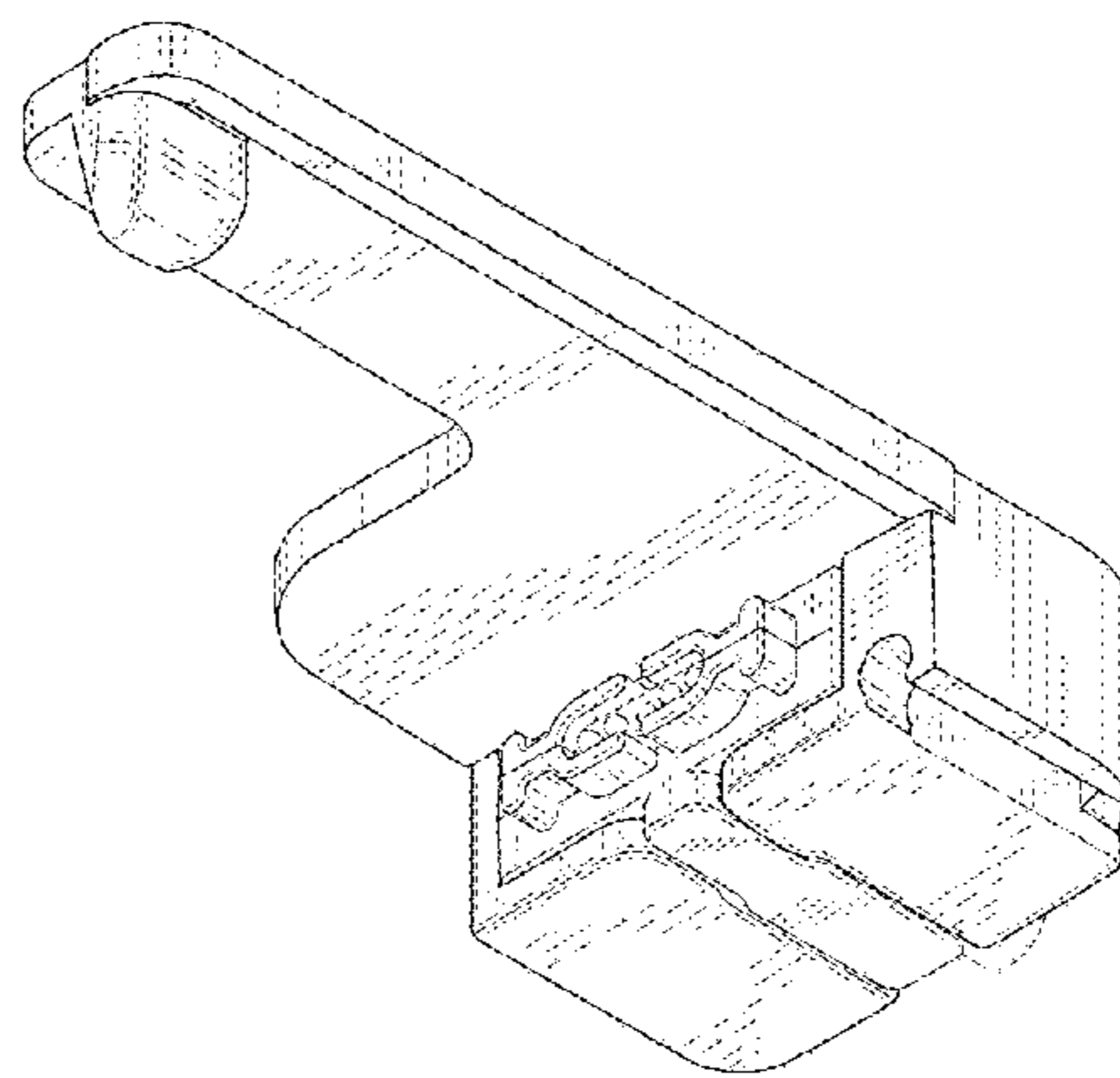
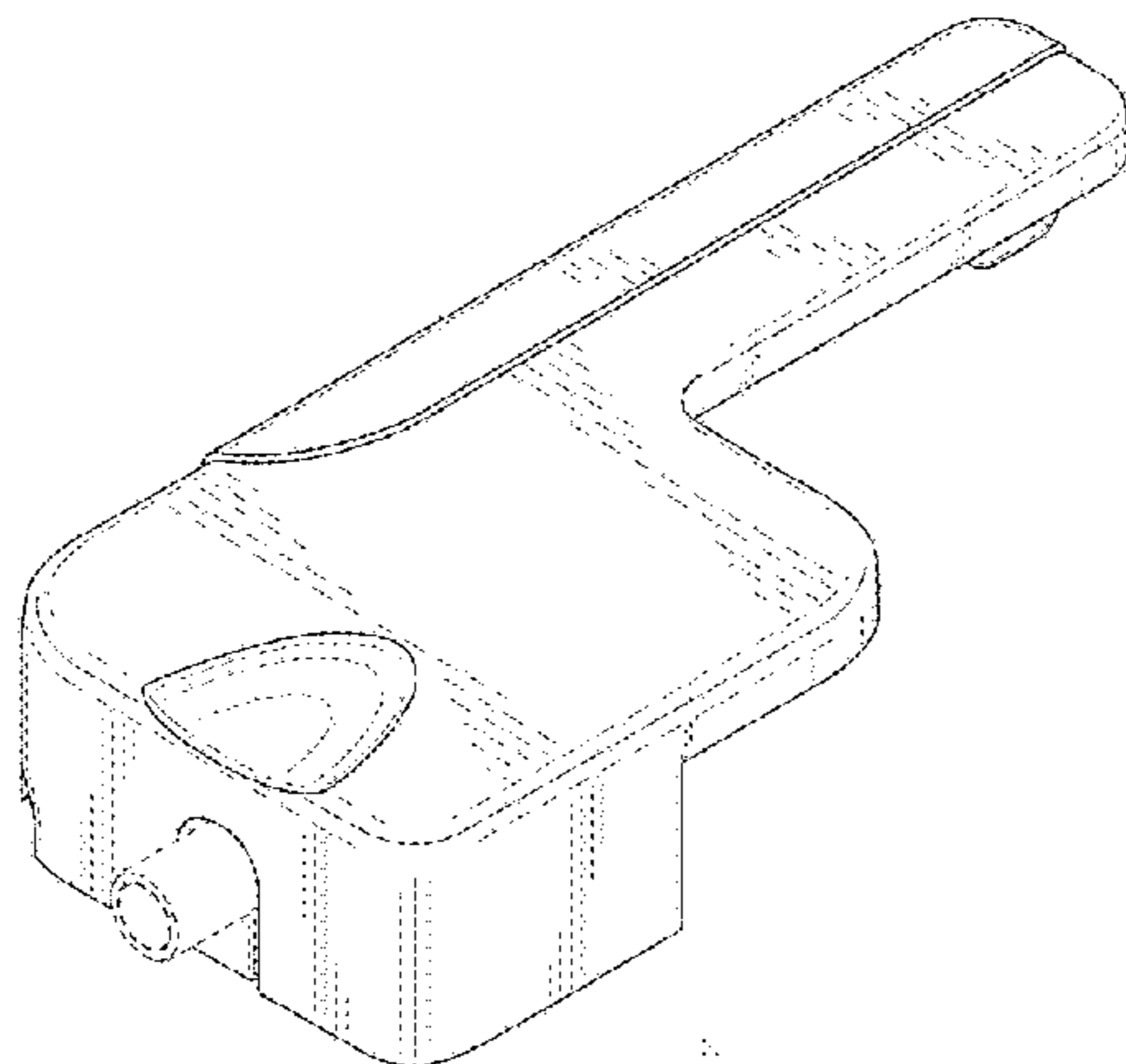
(57) **CLAIM**

The ornamental design for a power connector and clip combination, as shown and described.

DESCRIPTION

FIG. 1 is a top, side perspective view of a first embodiment of a power connector and clip combination showing our new design;
 FIG. 2 is a bottom, side perspective view thereof;
 FIG. 3 is a front view thereof;
 FIG. 4 is a rear view thereof;
 FIG. 5 is a left-side view thereof;
 FIG. 6 is a right-side view thereof;
 FIG. 7 is a top view thereof;
 FIG. 8 is a bottom view thereof;
 FIG. 9 is a top, side perspective view of a second embodiment of a power connector and clip combination showing our new design;
 FIG. 10 is a bottom, side perspective view thereof;
 FIG. 11 is a front view thereof;
 FIG. 12 is a rear view thereof;
 FIG. 13 is a left-side view thereof;
 FIG. 14 is a right-side view thereof;
 FIG. 15 is a top view thereof;
 FIG. 16 is a bottom view thereof.
 FIG. 17 is a top, side perspective view of a third embodiment of a power connector and clip combination showing our new design;
 FIG. 18 is a bottom, side perspective view thereof;
 FIG. 19 is a front view thereof;
 FIG. 20 is a rear view thereof;
 FIG. 21 is a left-side view thereof;
 FIG. 22 is a right-side view thereof;
 FIG. 23 is a top view thereof;
 FIG. 24 is a bottom view thereof;
 FIG. 25 is a top, side perspective view of a third embodiment of a power connector and clip combination showing our new design;
 FIG. 26 is a bottom, side perspective view thereof;
 FIG. 27 is a front view thereof;
 FIG. 28 is a rear view thereof;
 FIG. 29 is a left-side view thereof;
 FIG. 30 is a right-side view thereof;
 FIG. 31 is a top view thereof; and,
 FIG. 32 is a bottom view thereof.
 The broken lines illustrate unclaimed portions of the power connector and clip combination and form no part of the

(Continued)



claimed design. The light gray shade lines on the surface portions indicate contour and not surface decoration.

1 Claim, 32 Drawing Sheets

(58) Field of Classification Search

CPC H01R 13/501; H01R 13/502; H01R
13/5025; H01R 13/506; H01R 13/508;
H01R 13/5208

See application file for complete search history.

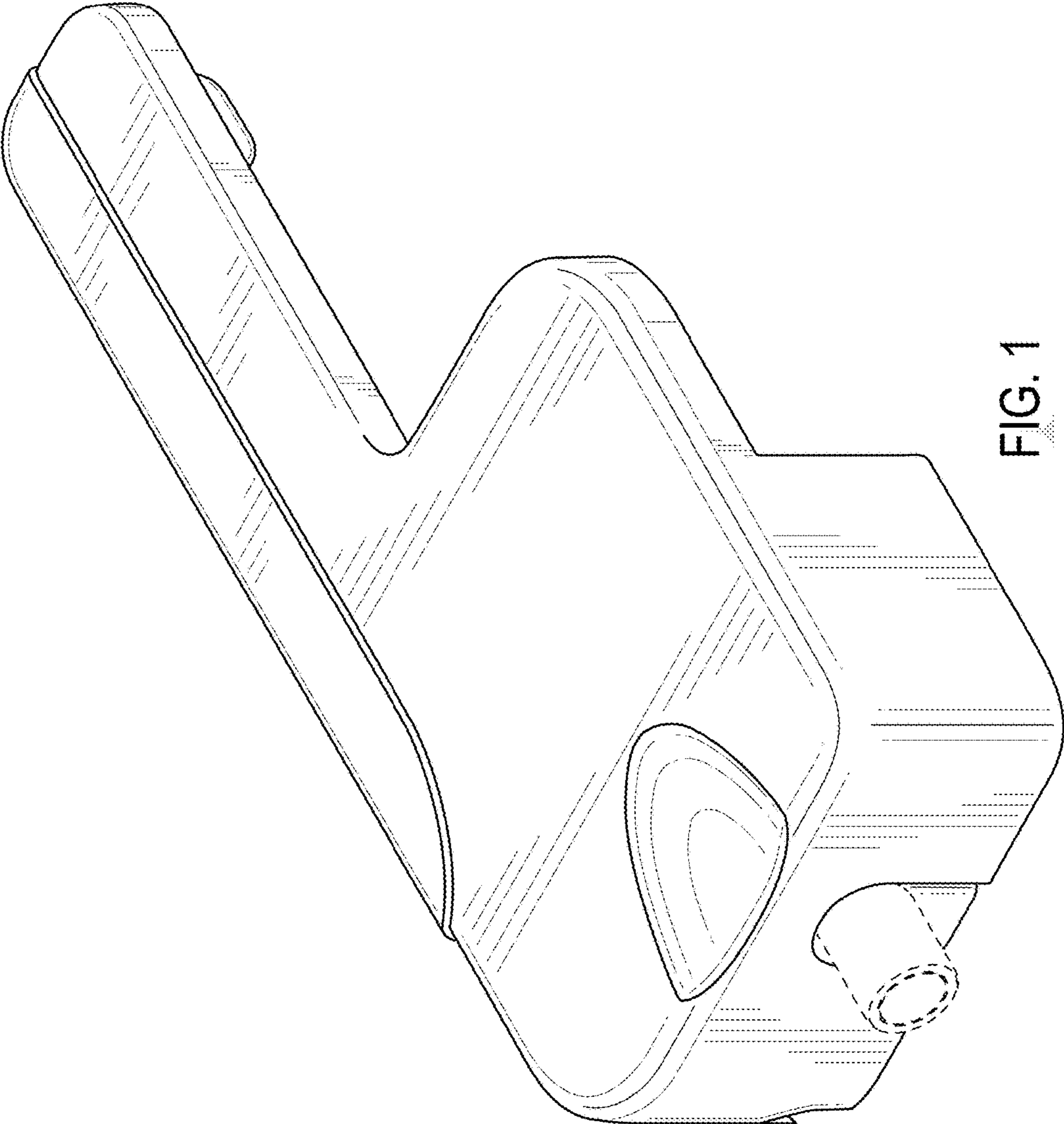


FIG. 1

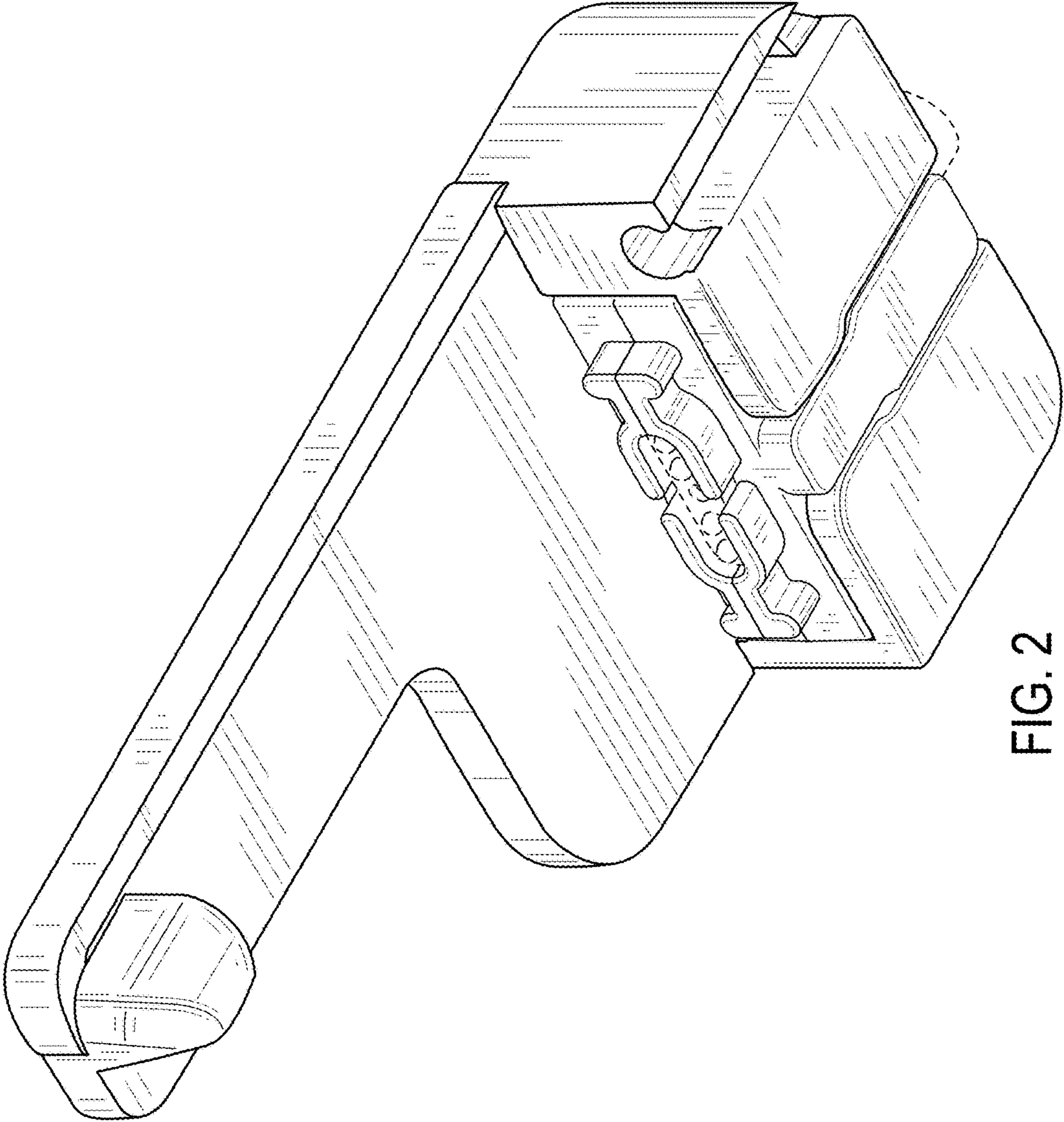


FIG. 2

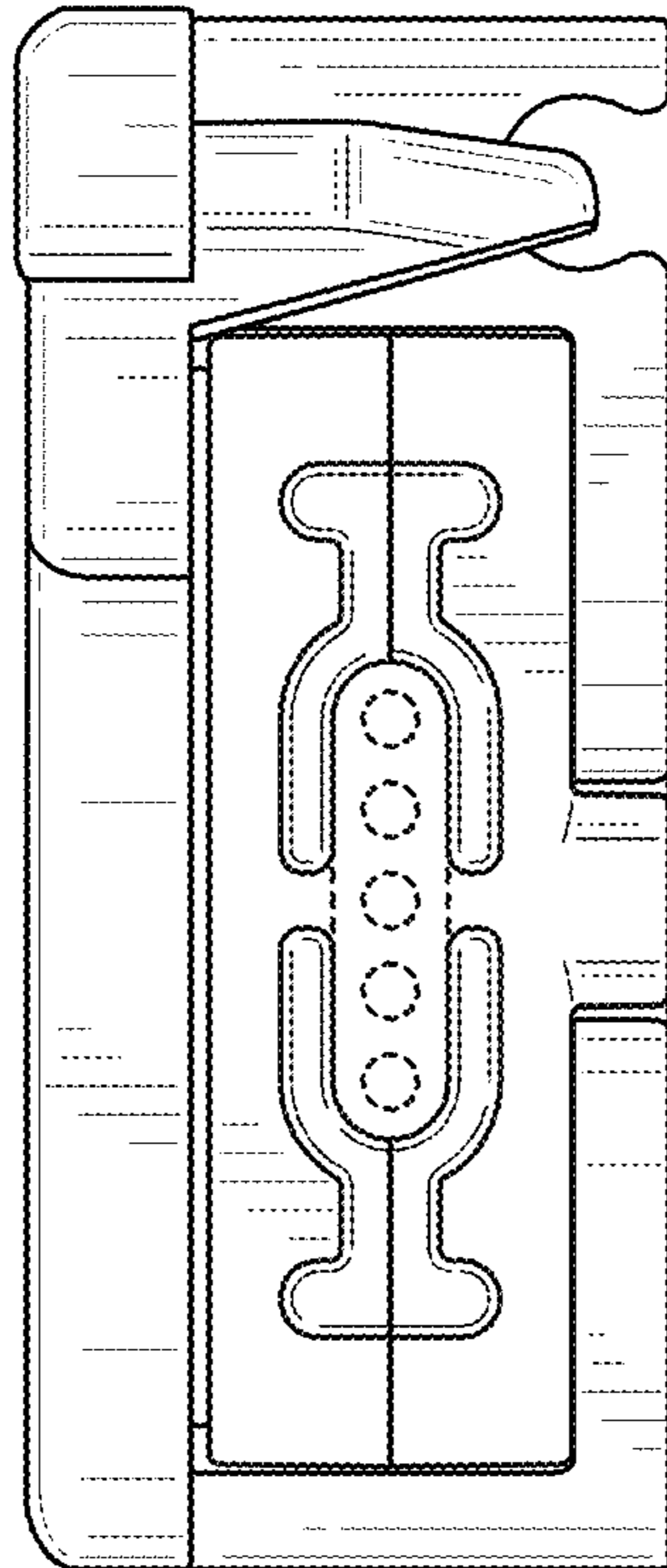


FIG. 3

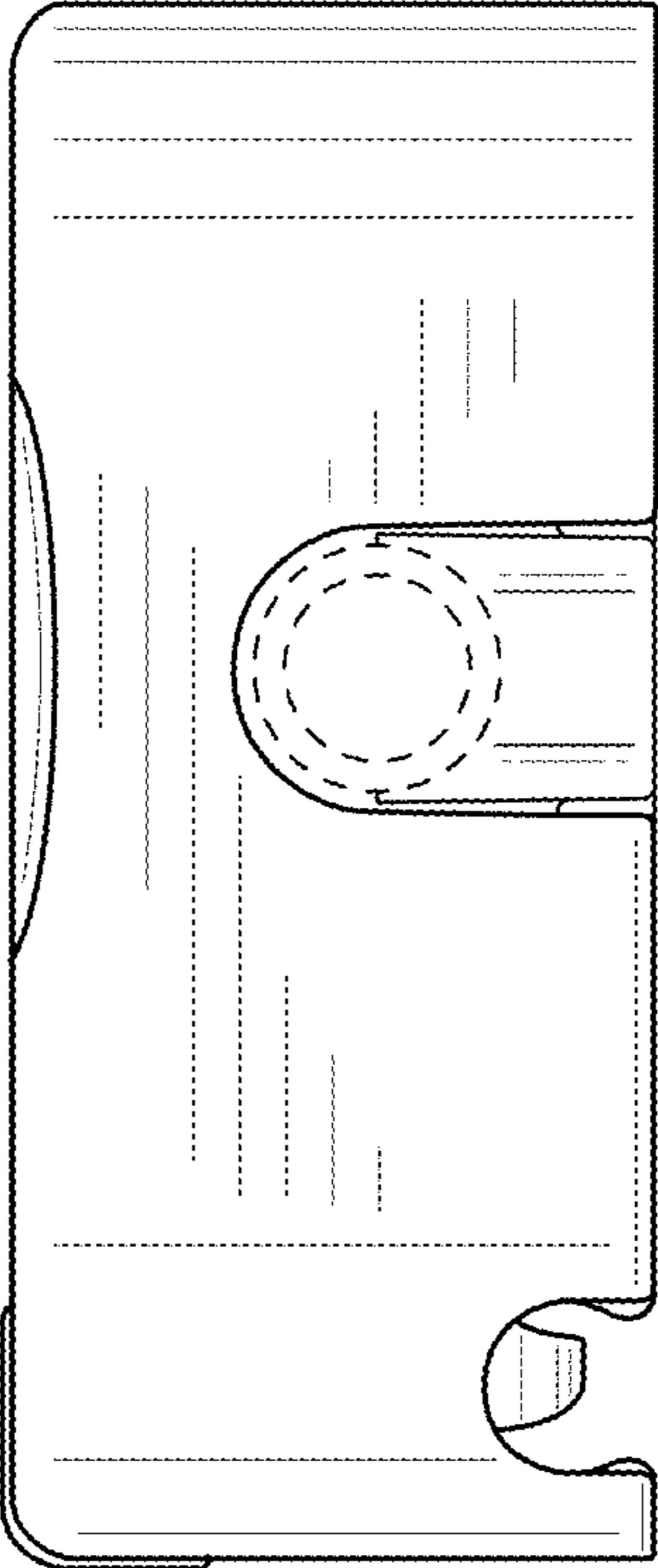


FIG. 4

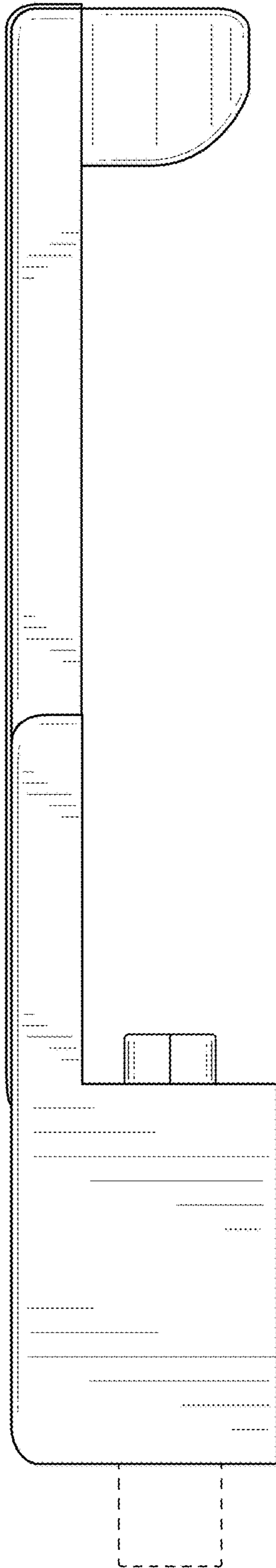


FIG. 5

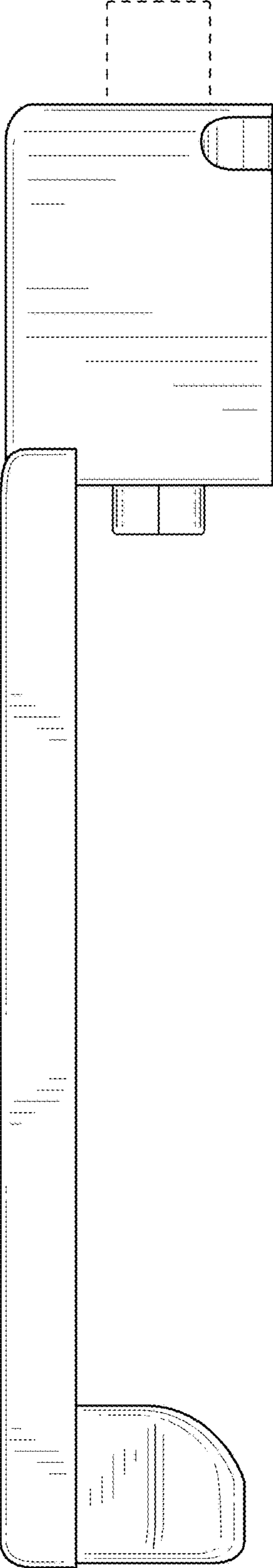


FIG. 6

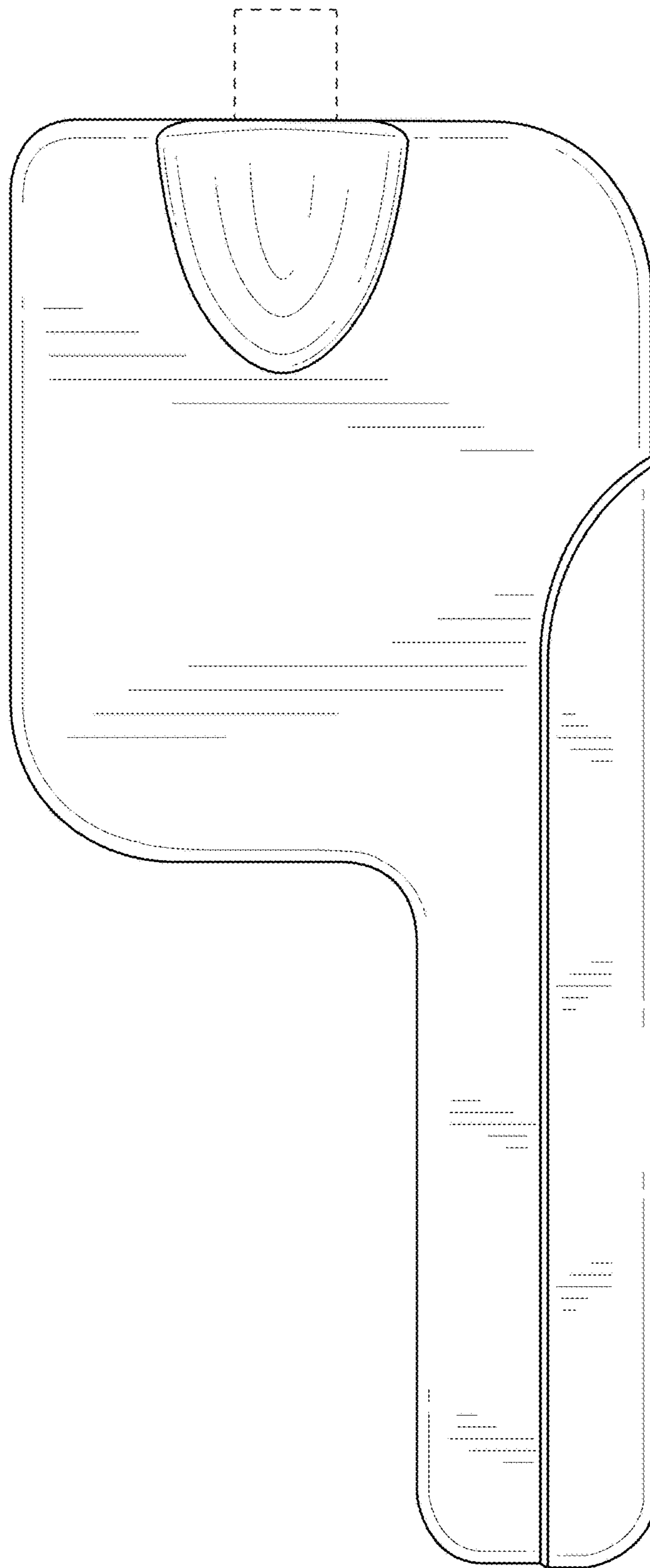


FIG. 7

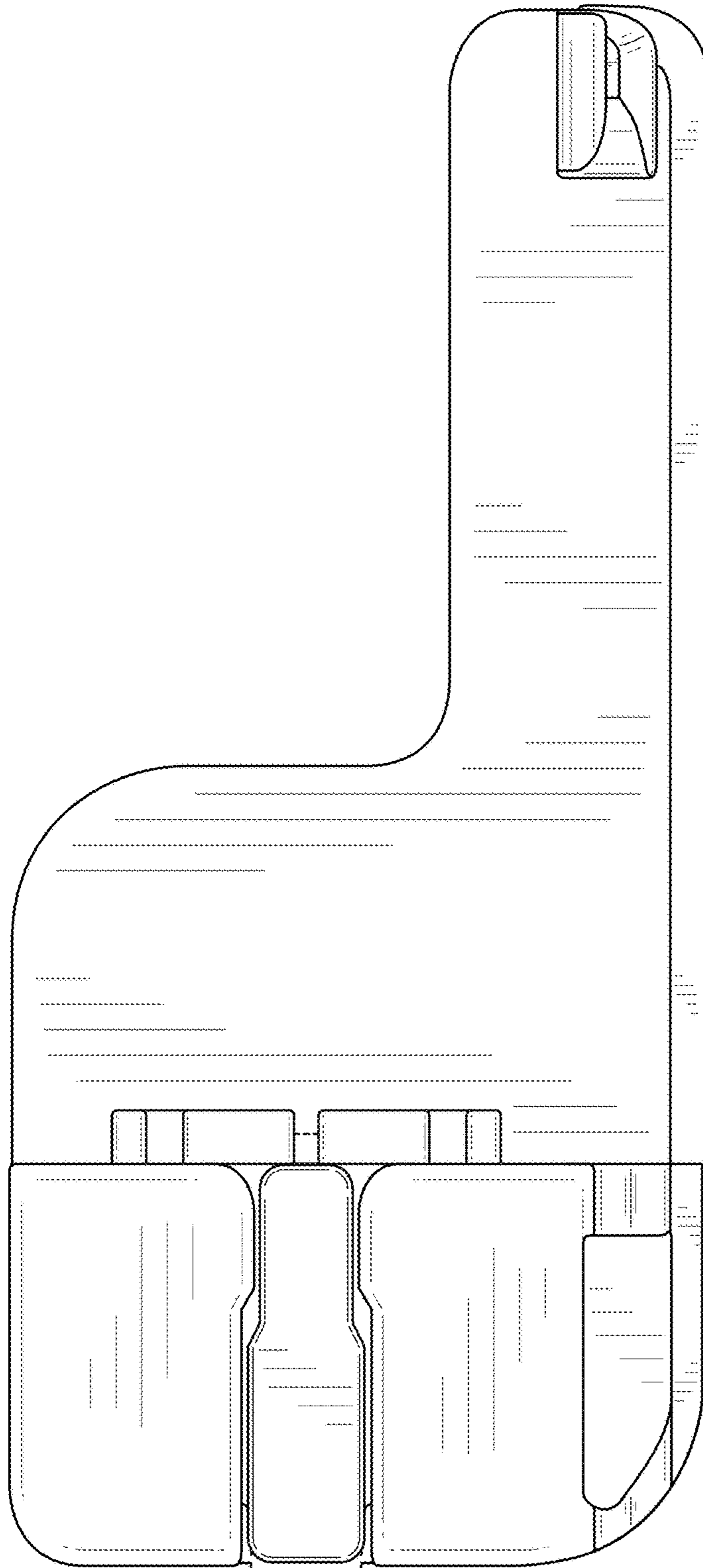


FIG. 8

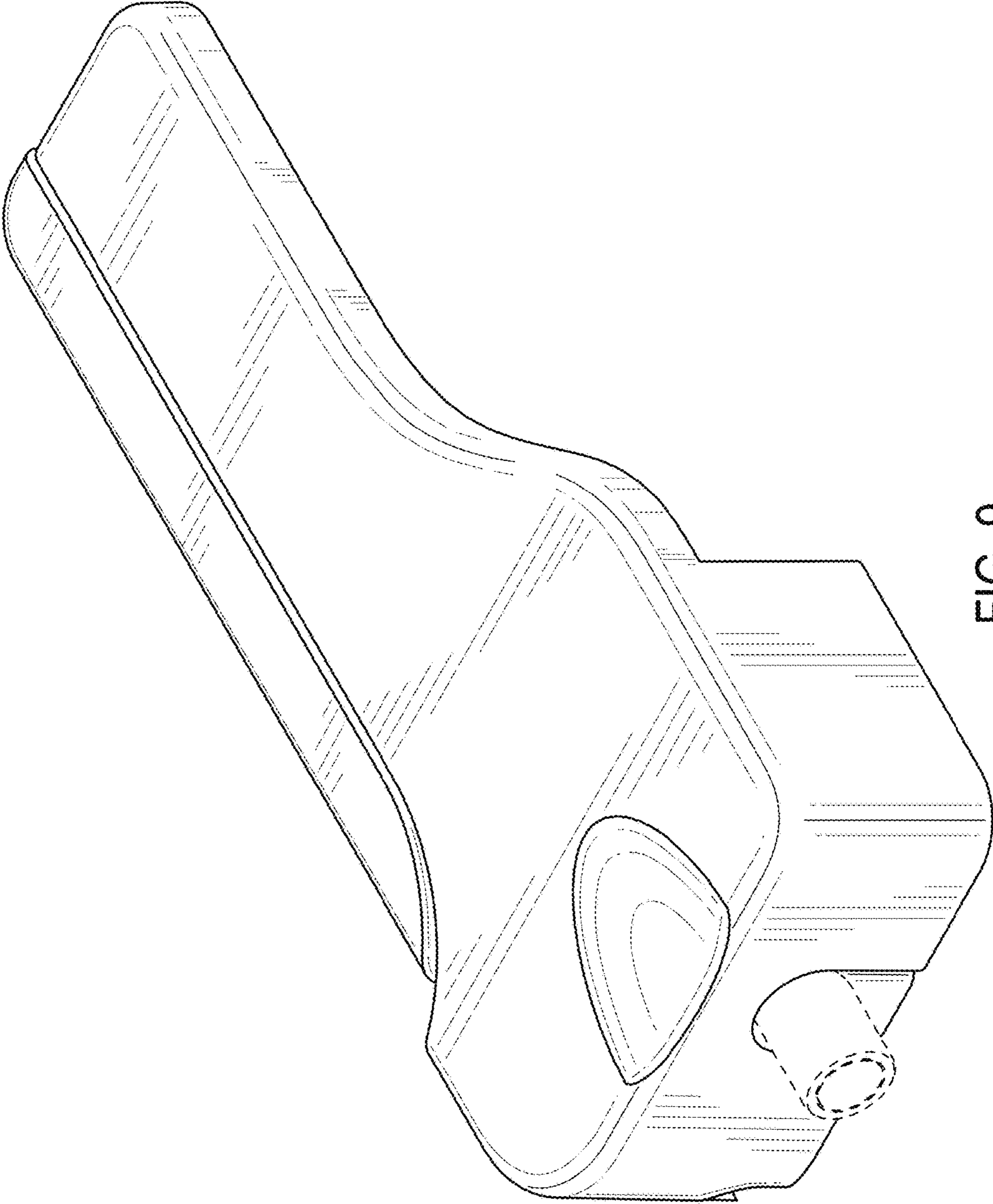


FIG. 9

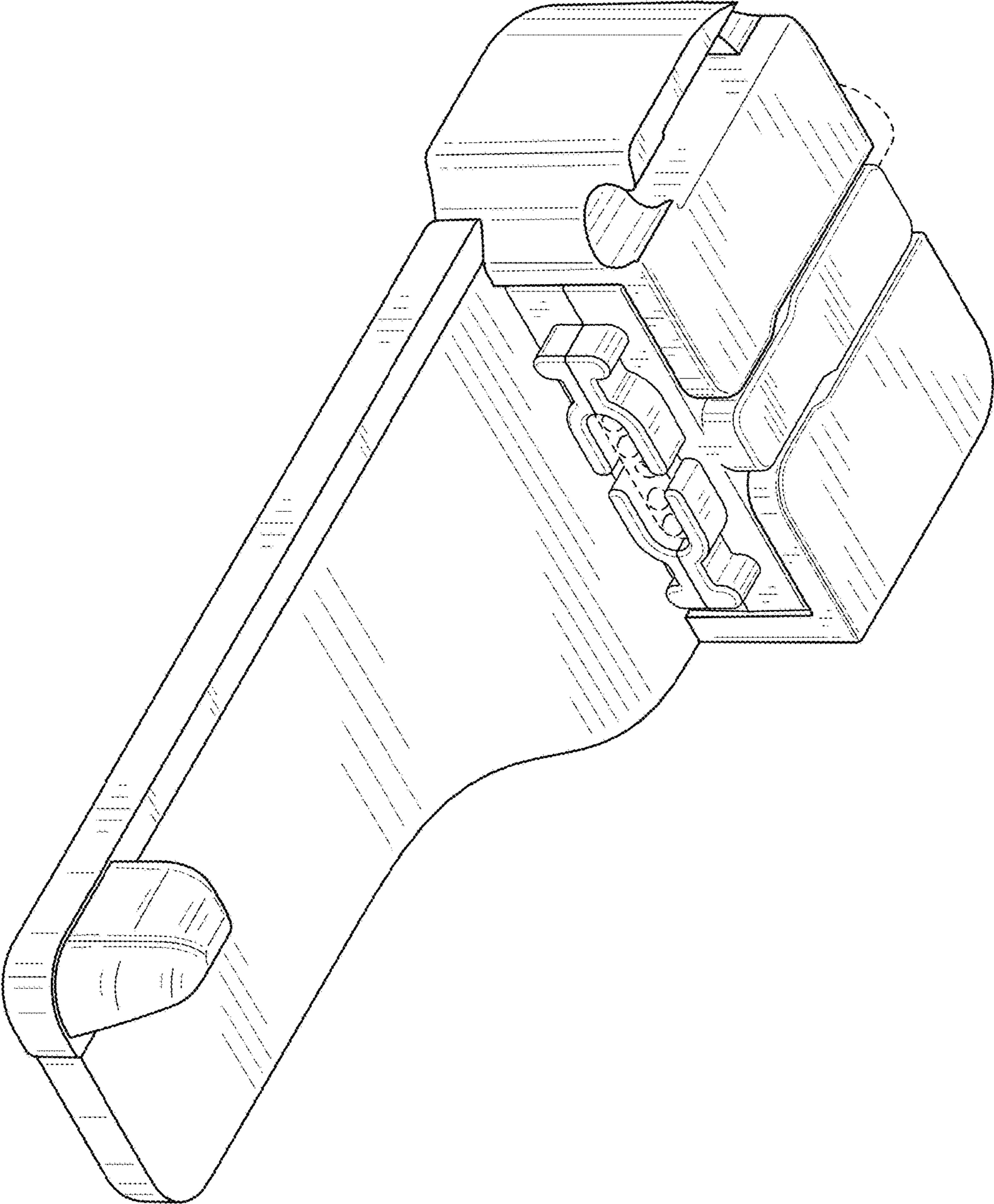


FIG. 10

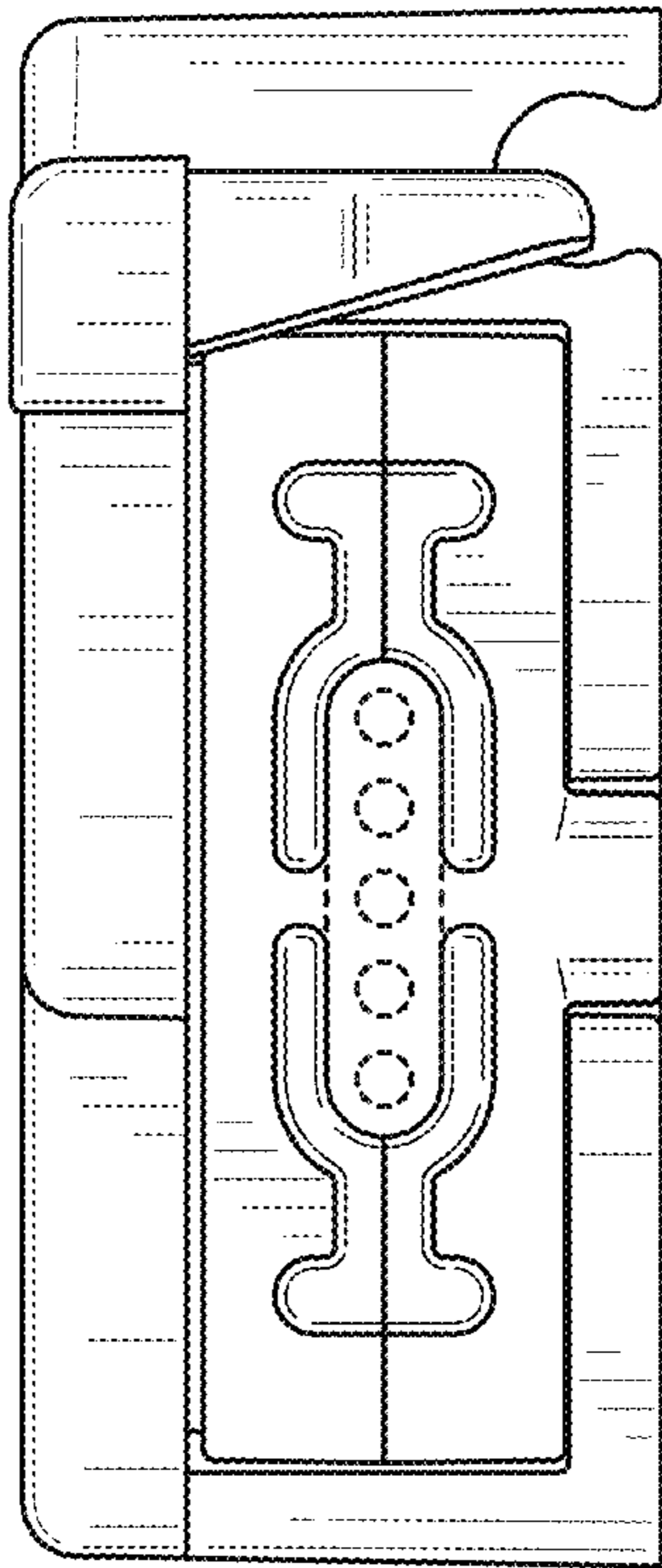


FIG. 11

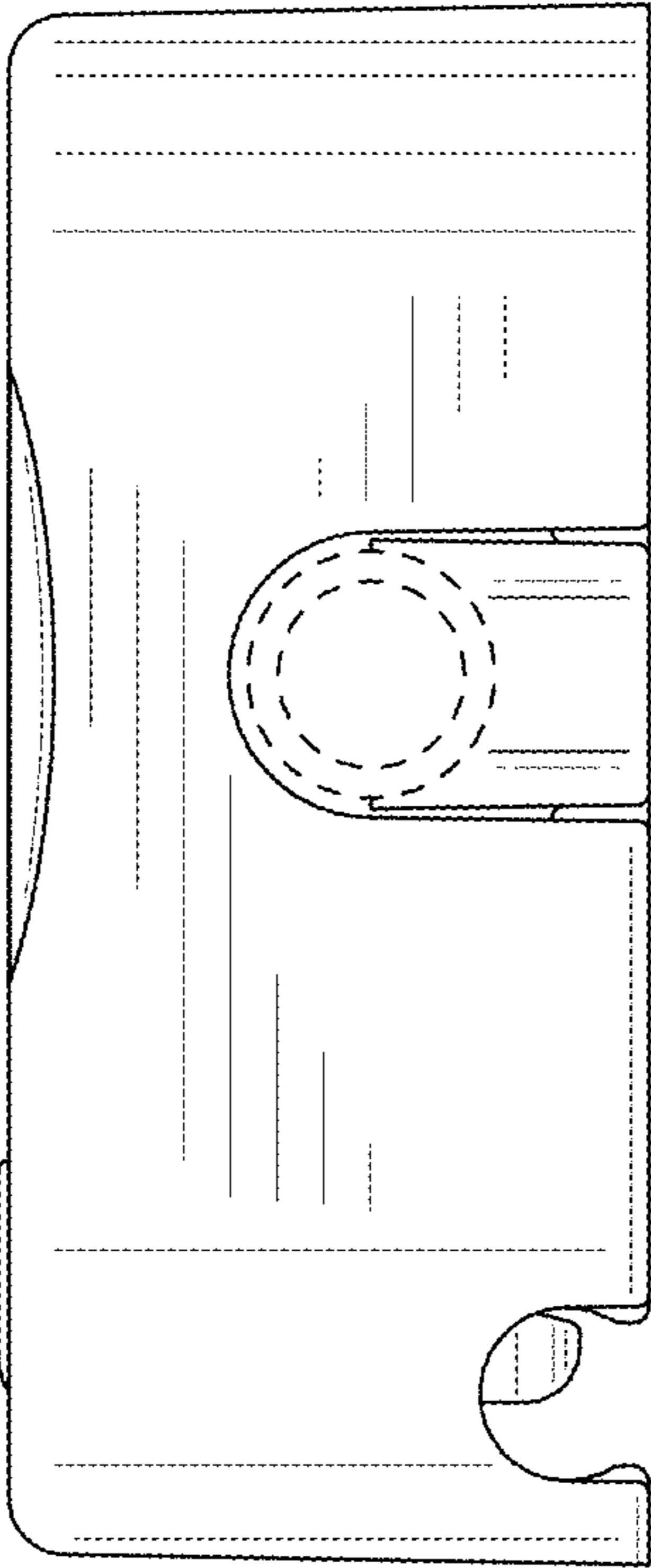


FIG. 12

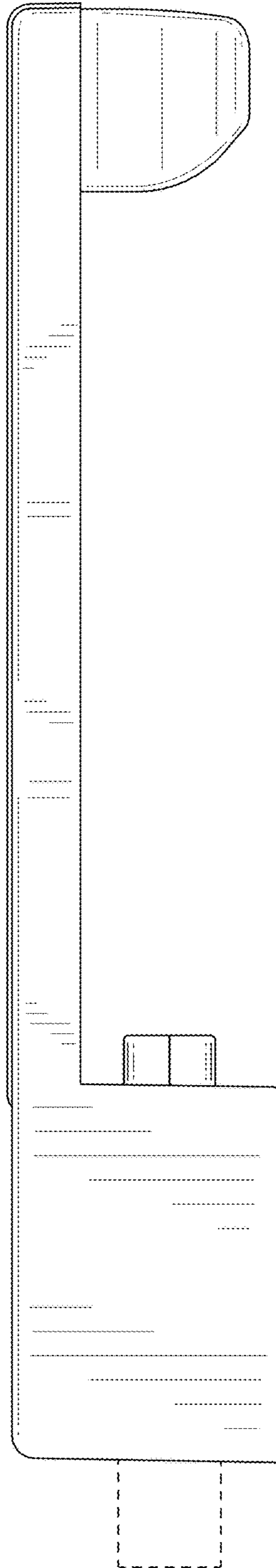


FIG. 13

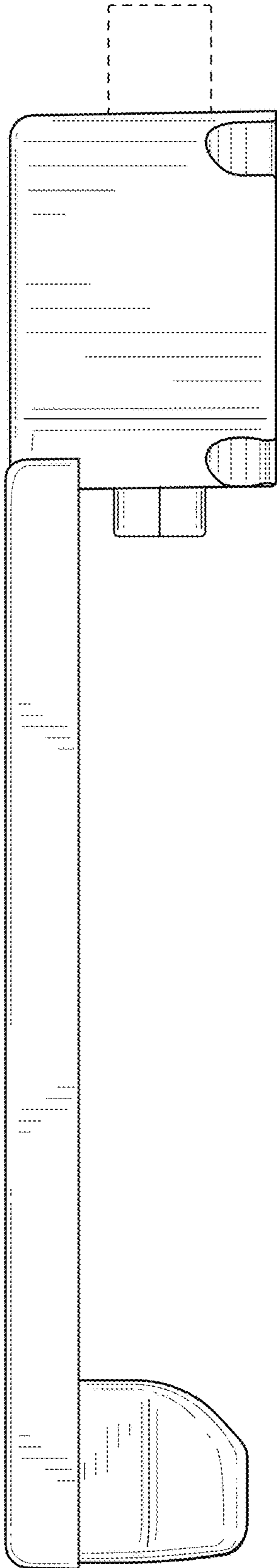


FIG. 14

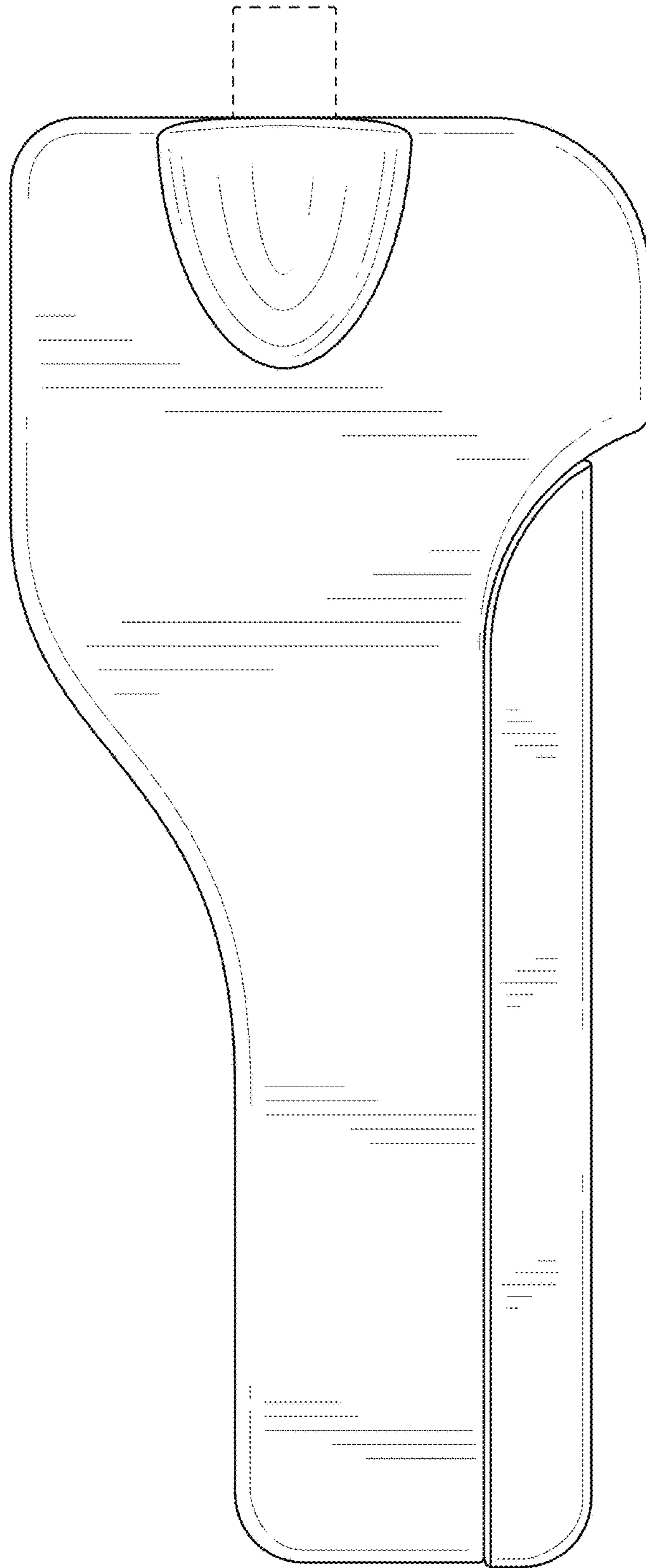


FIG. 15

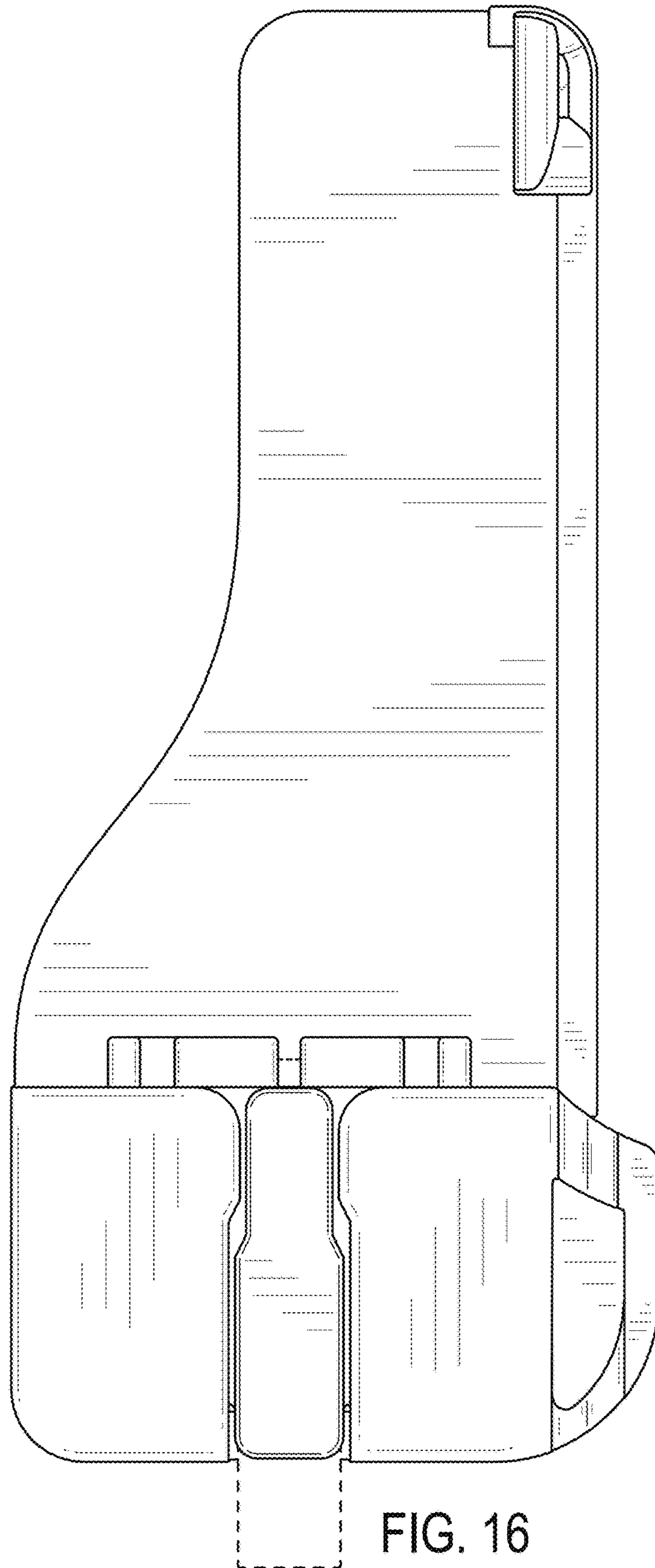


FIG. 16

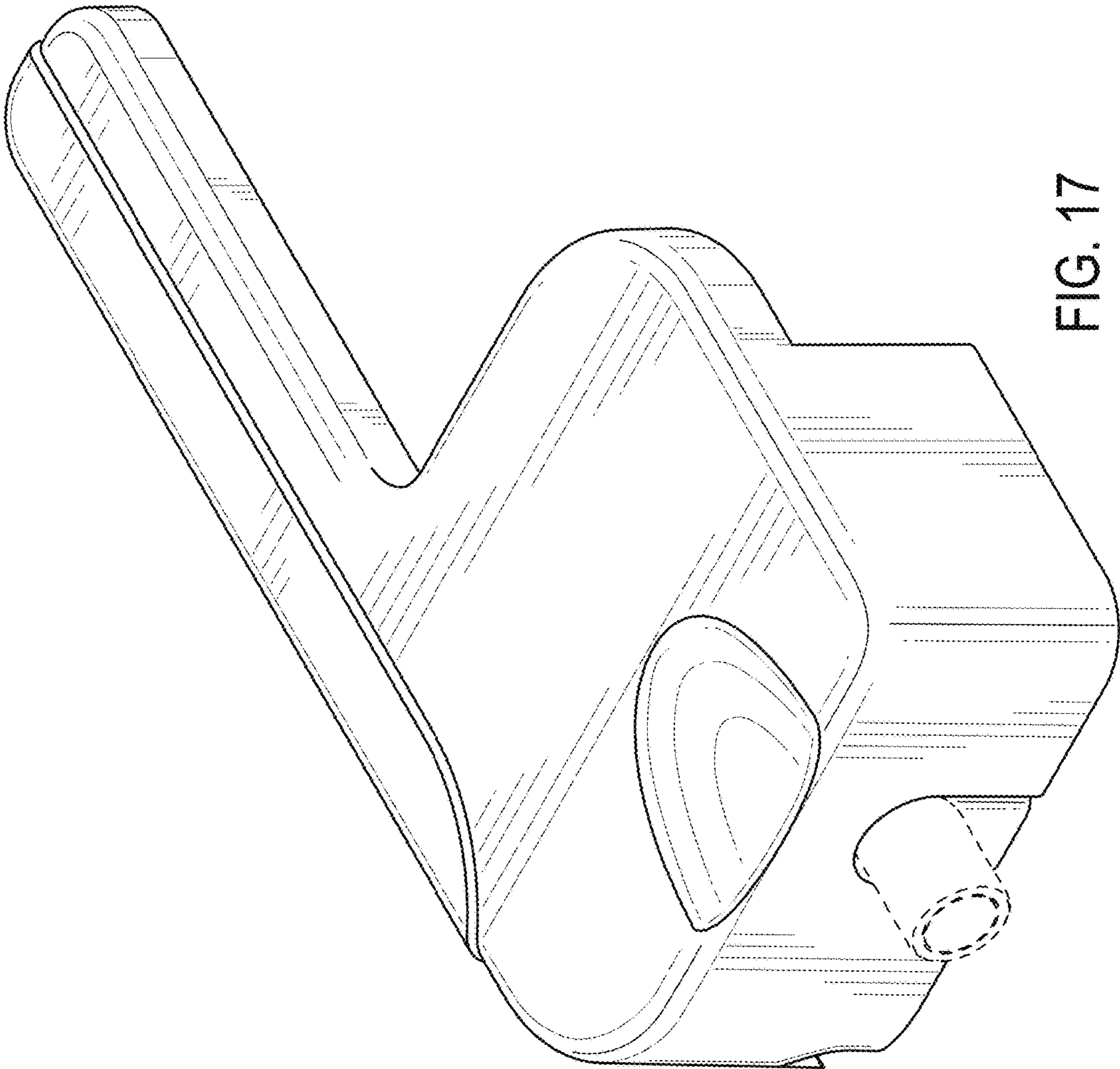


FIG. 17

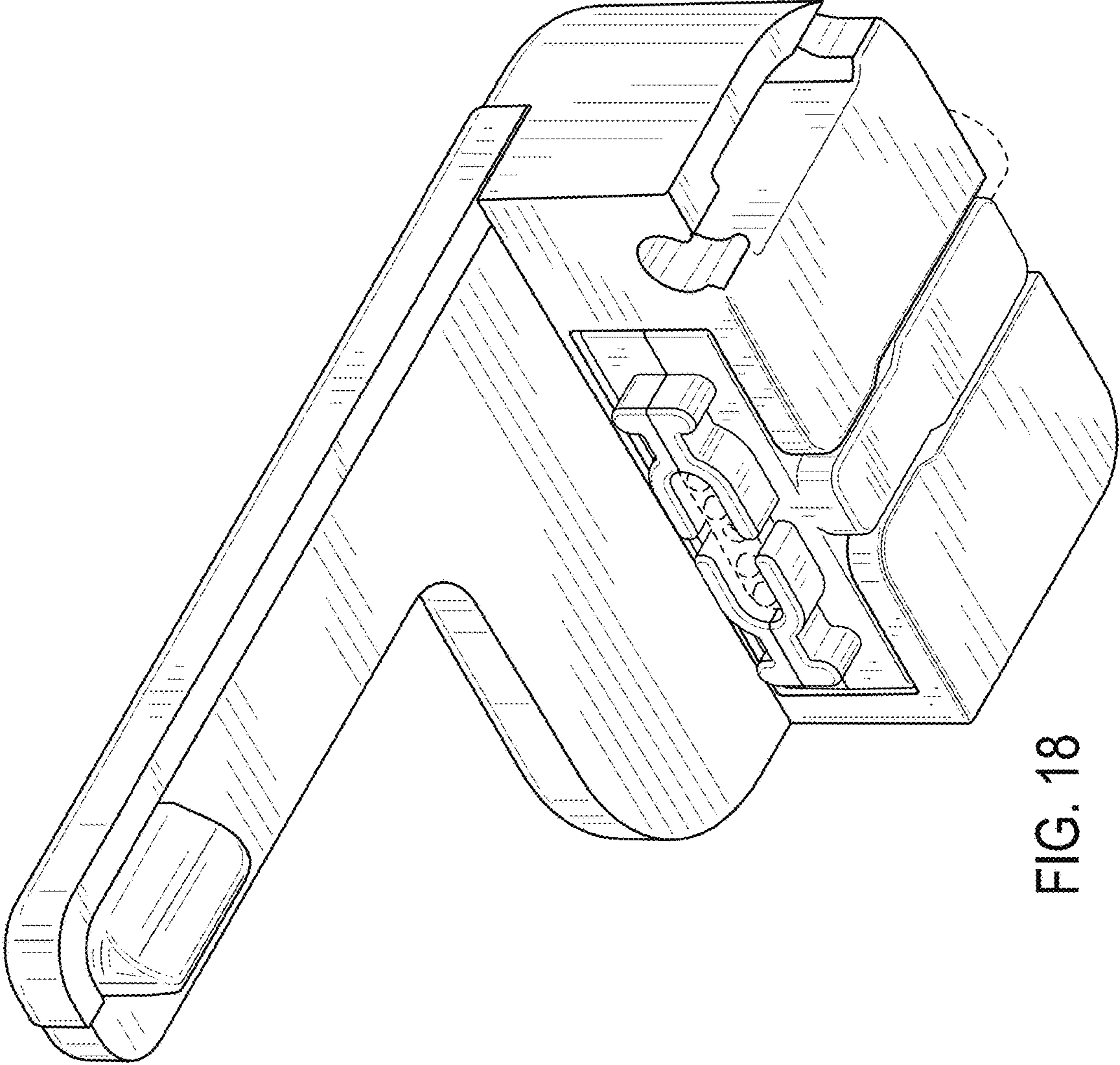


FIG. 18

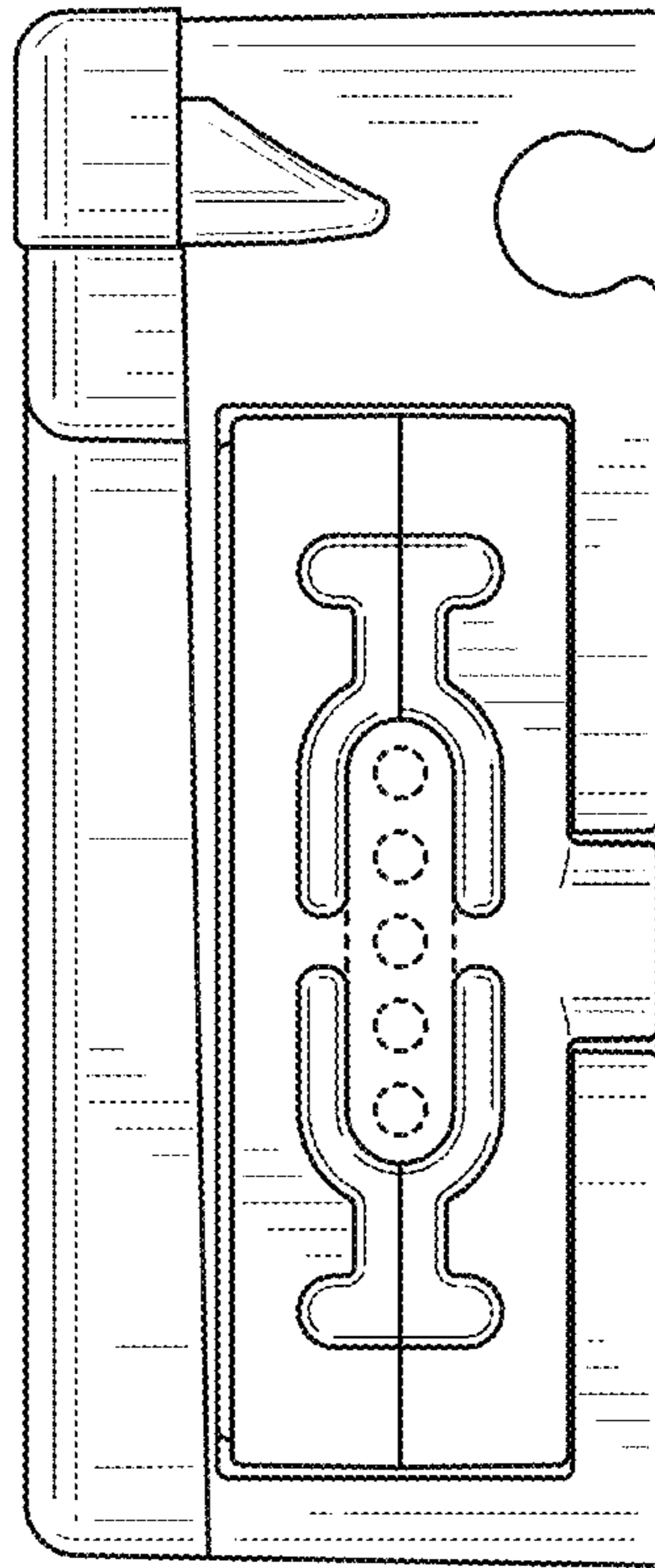


FIG. 19

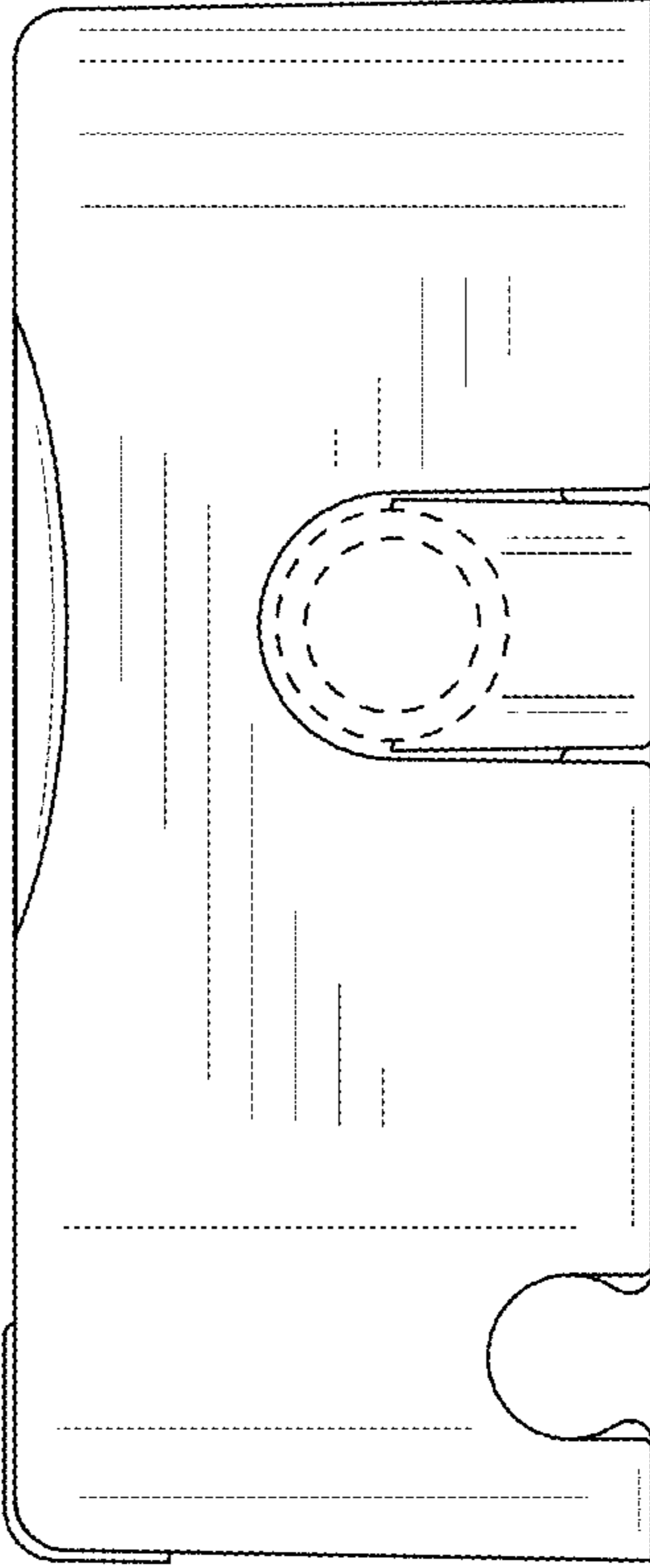


FIG. 20

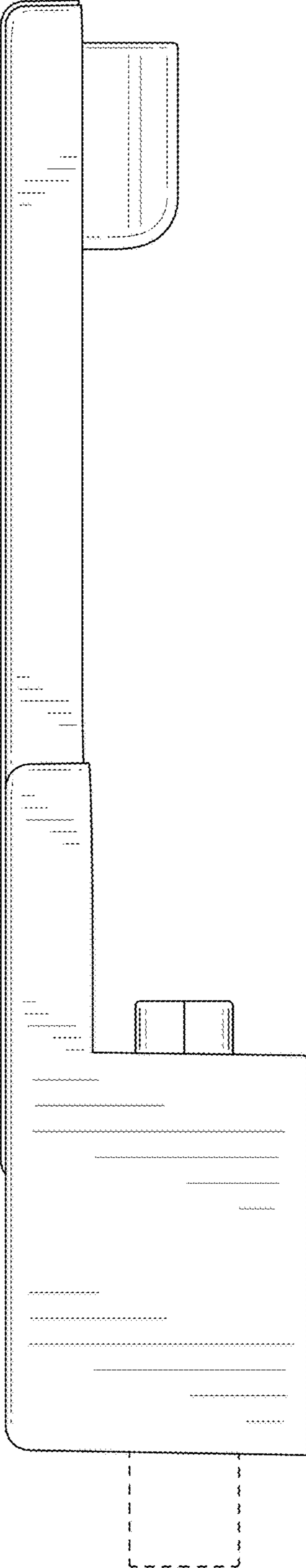


FIG. 21

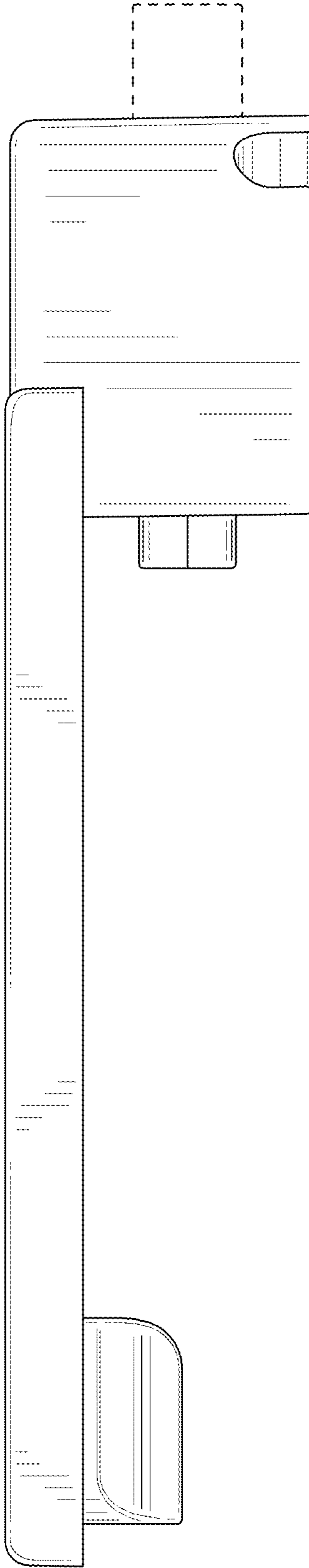


FIG. 22

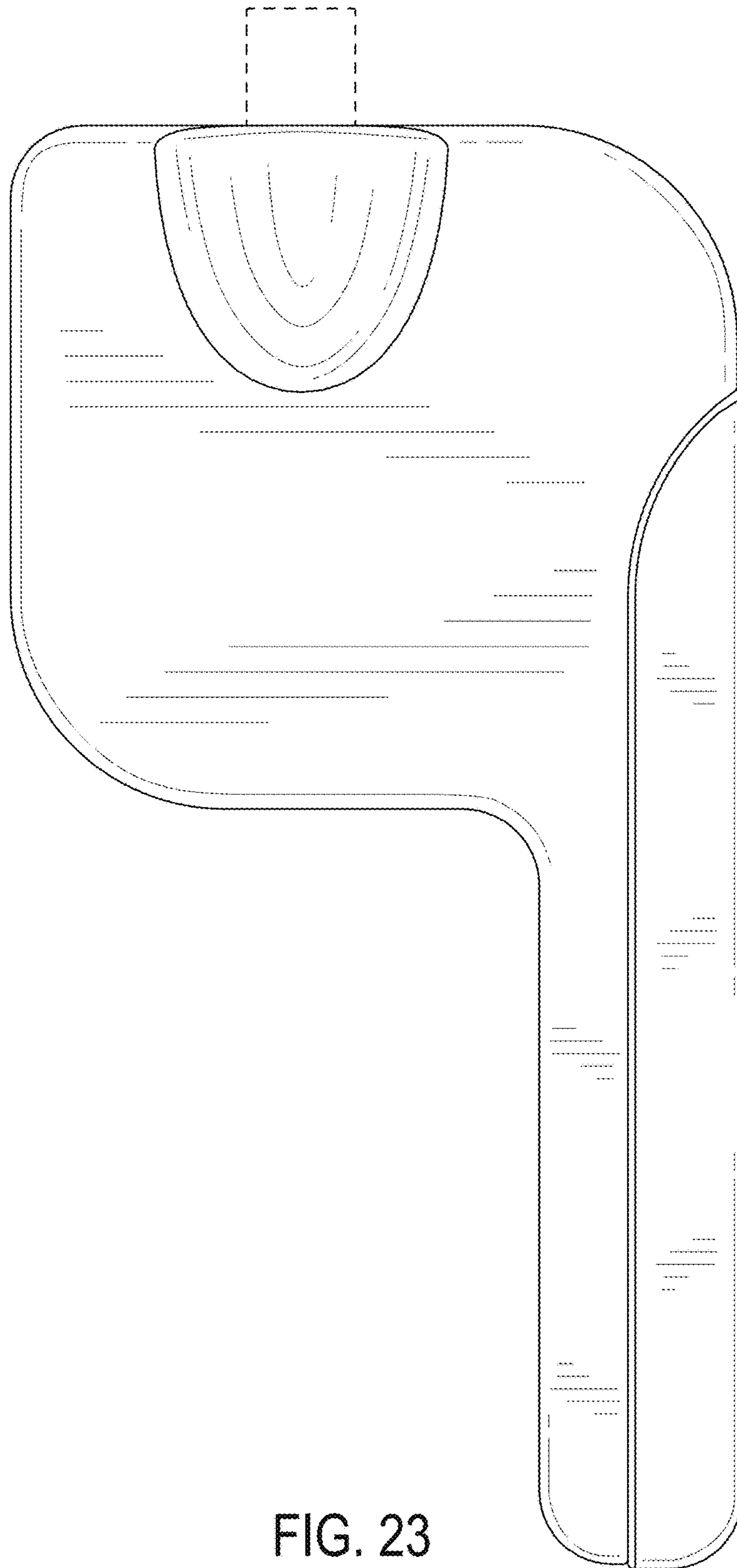


FIG. 23

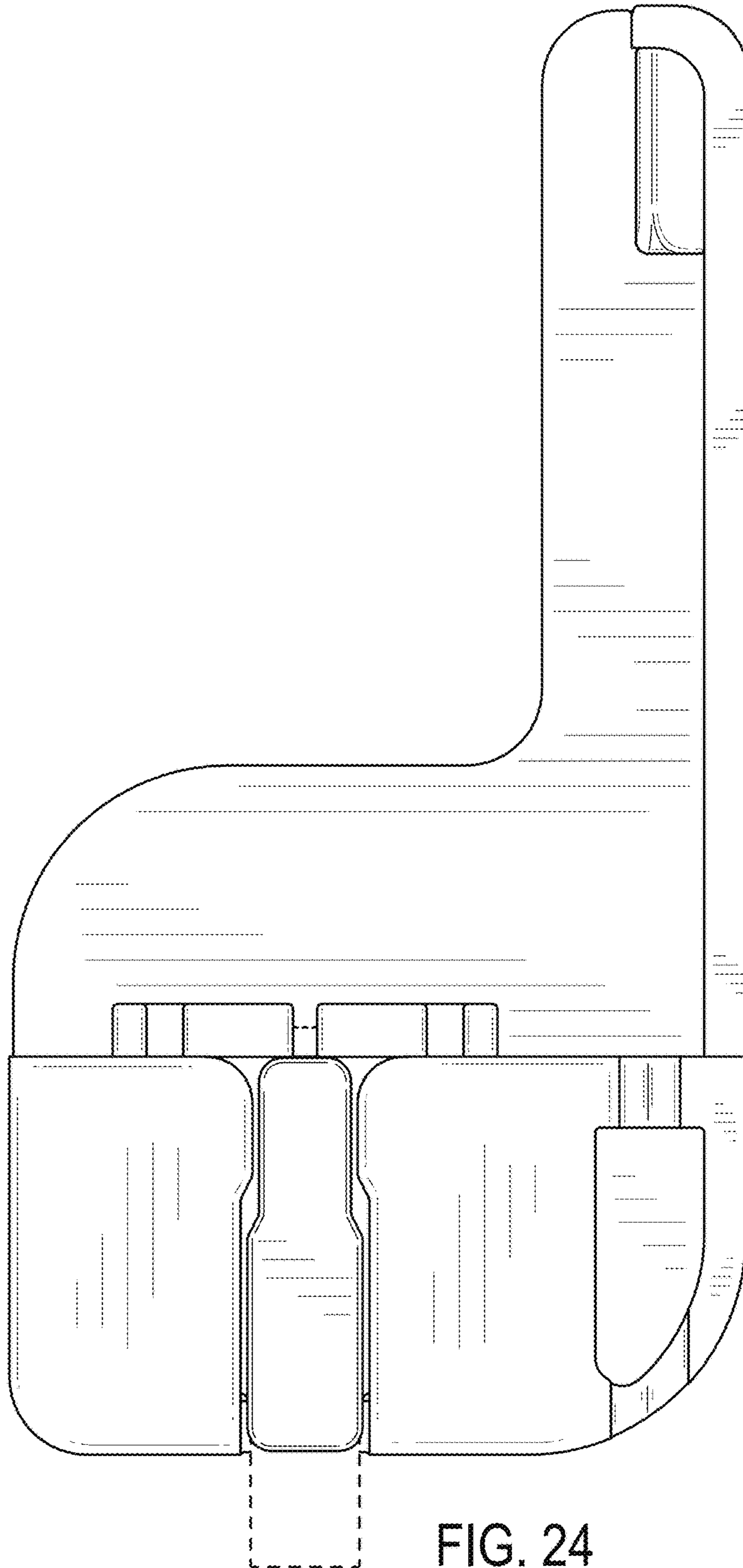


FIG. 24

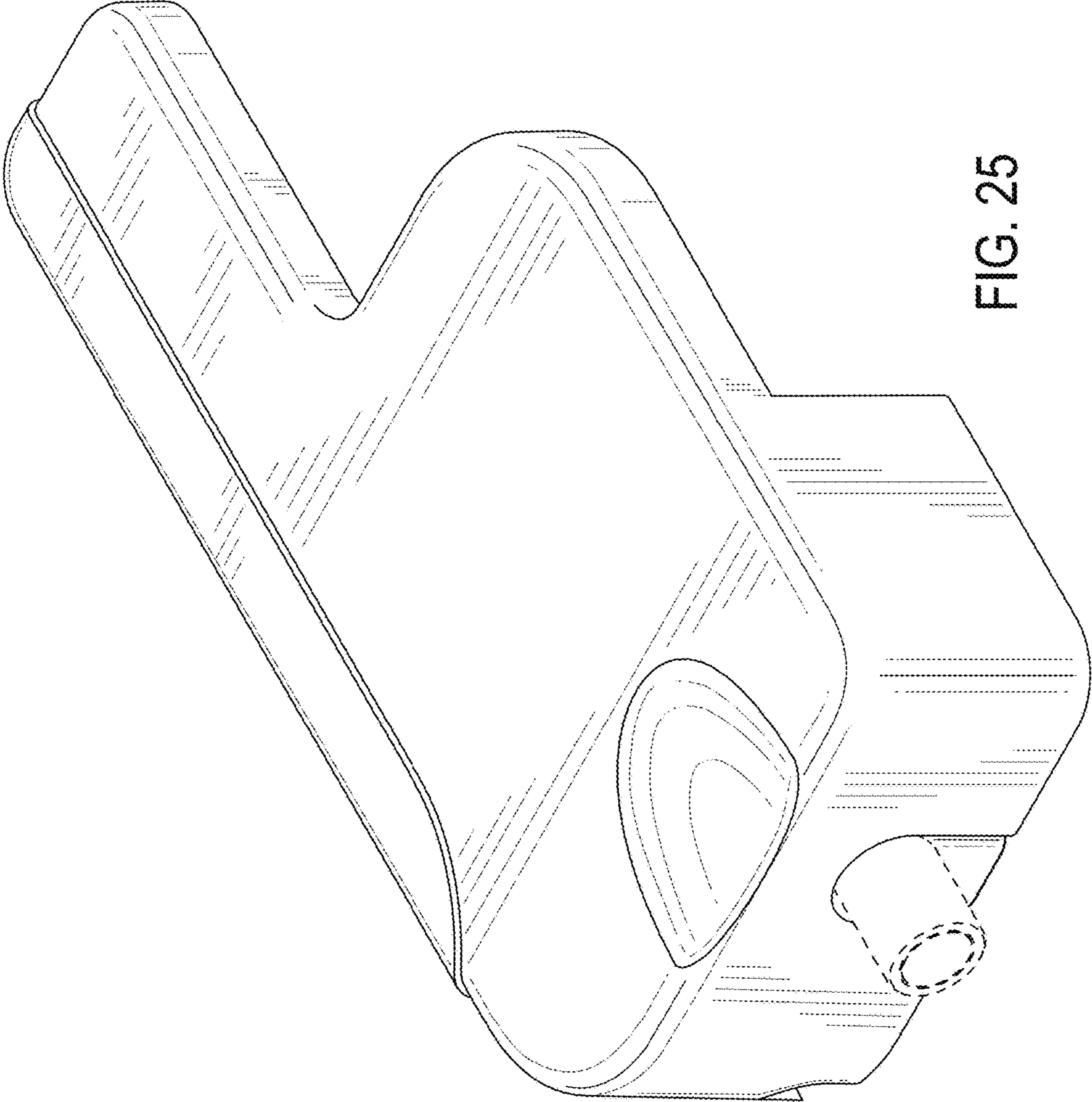


FIG. 25

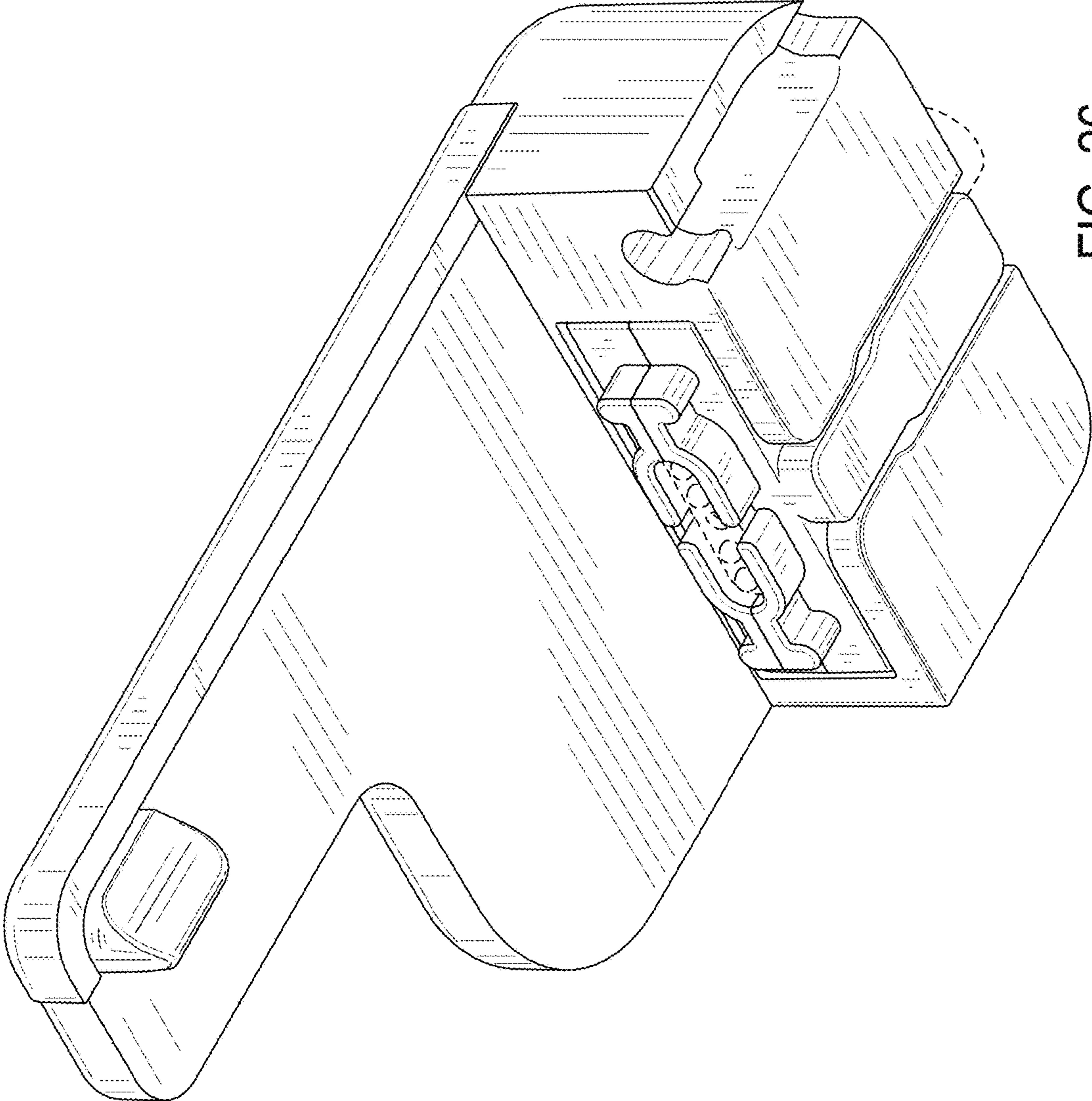


FIG. 26

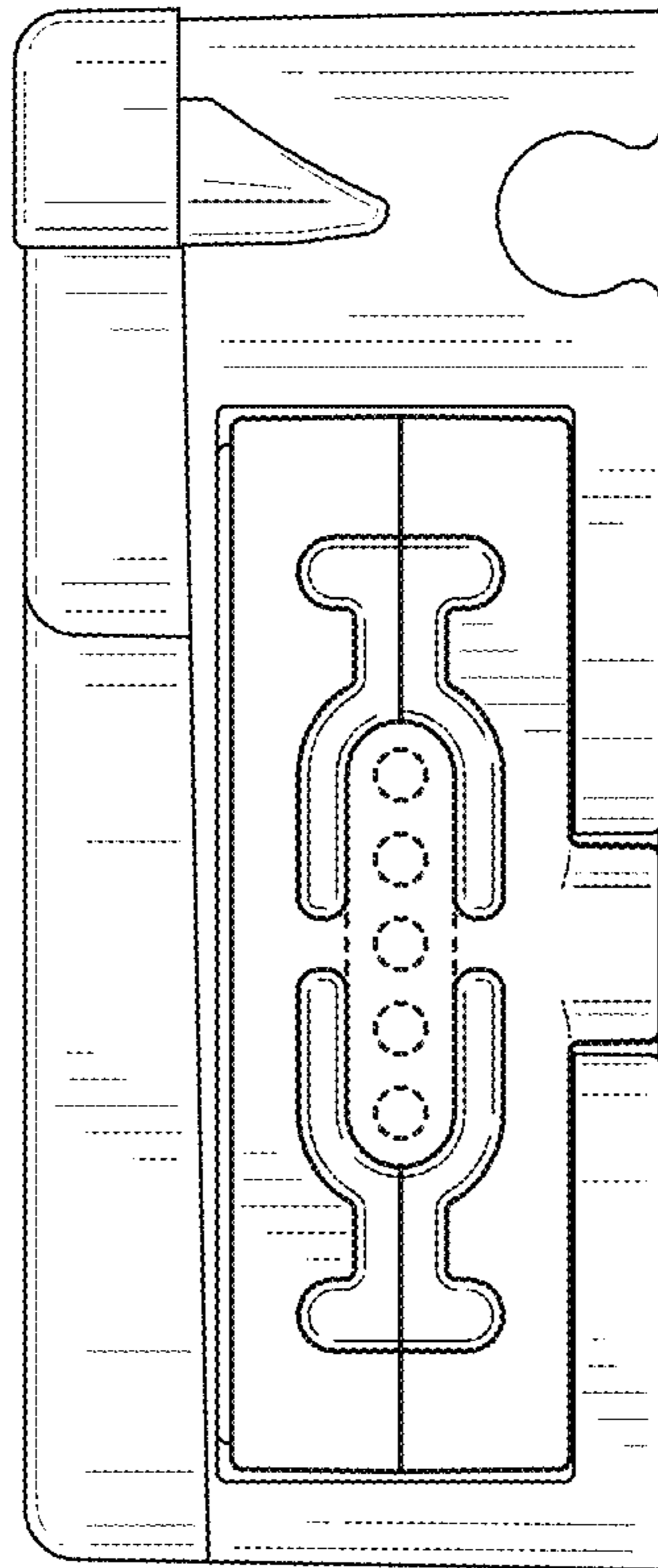


FIG. 27

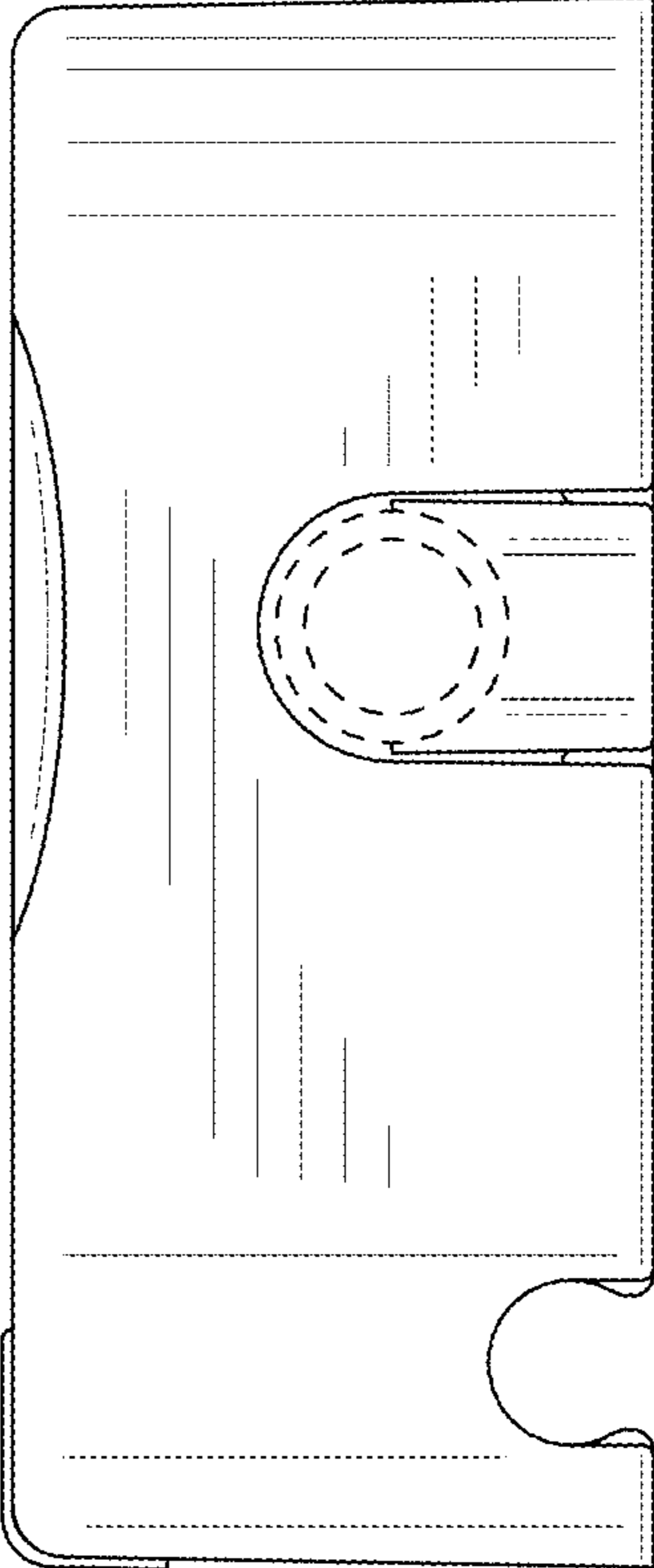


FIG. 28

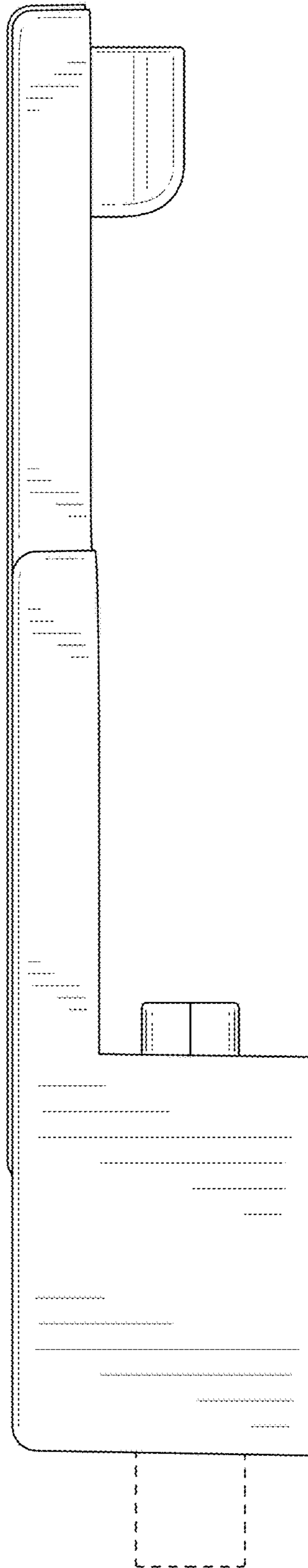


FIG. 29

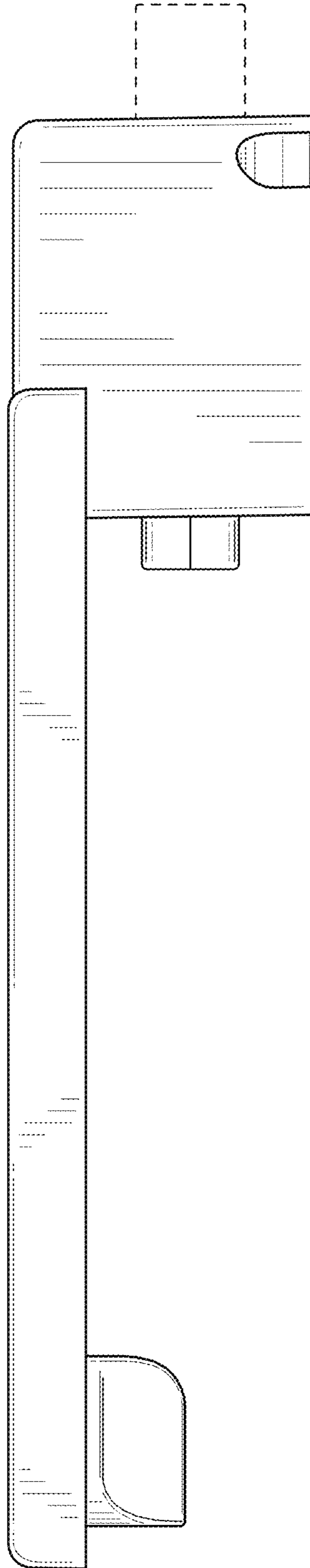


FIG. 30

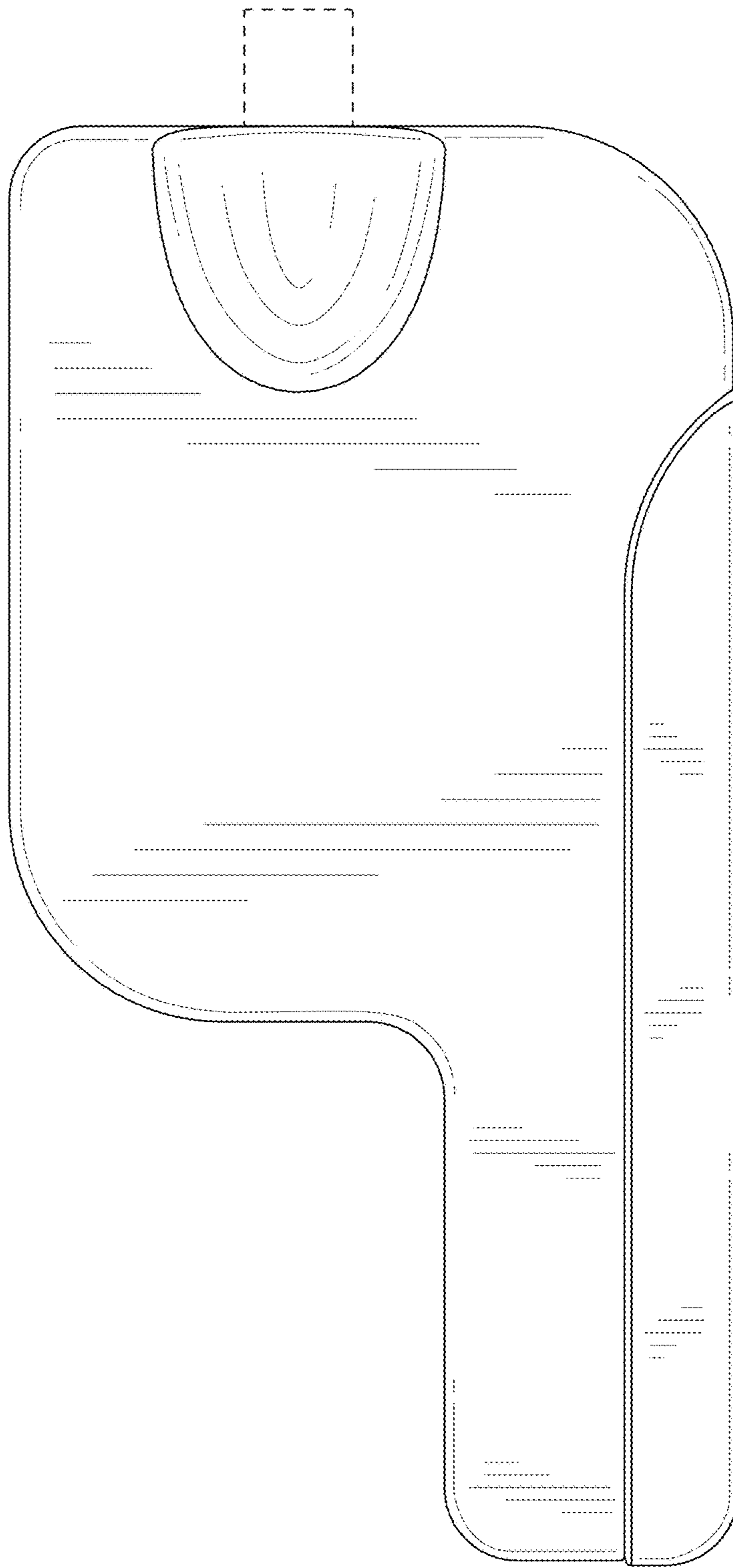


FIG. 31

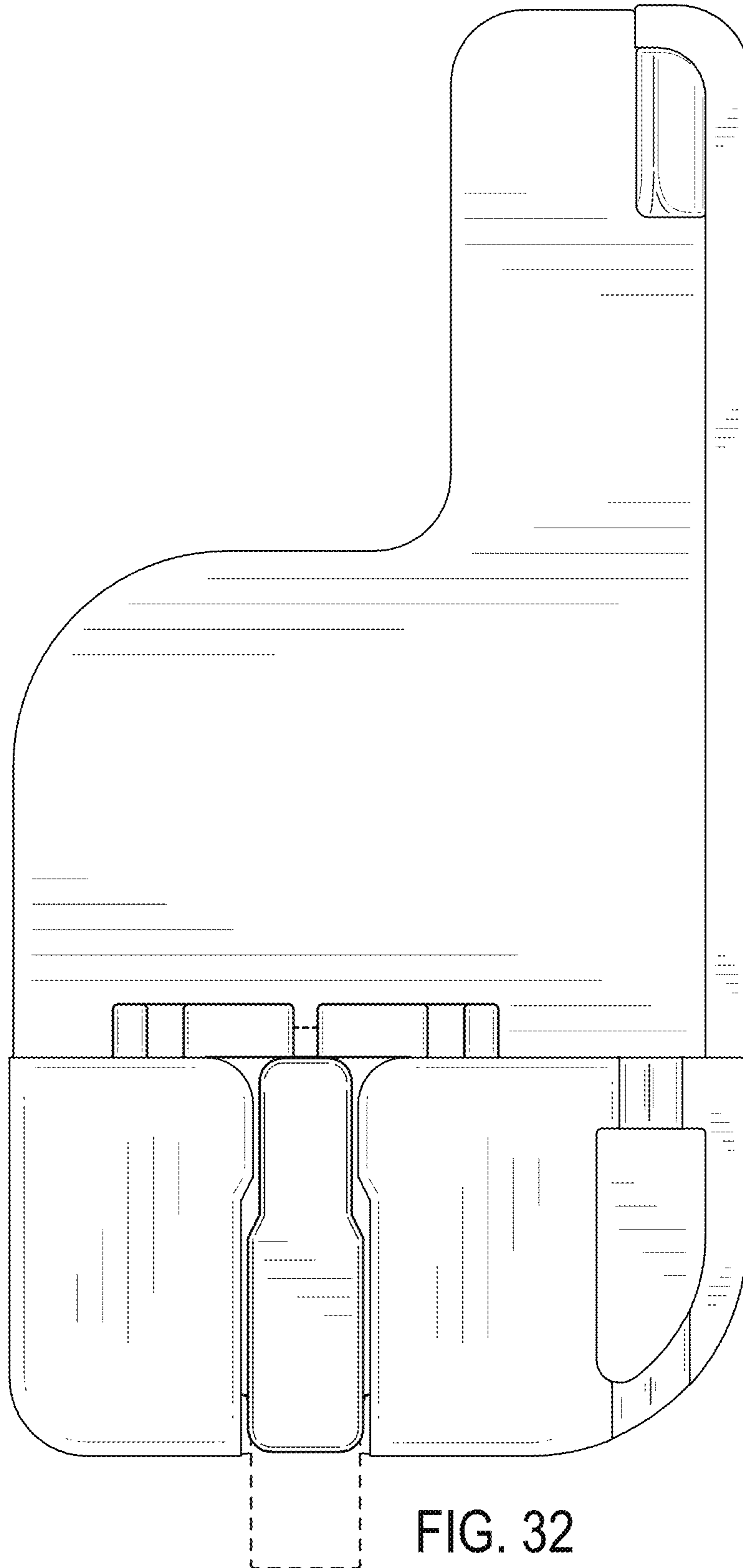


FIG. 32