

US00D821978S

(12) **United States Design Patent** (10) **Patent No.:** **US D821,978 S**
Yu (45) **Date of Patent:** **** Jul. 3, 2018**

(54) **ELECTRICAL SOCKET**
(71) Applicant: **NINGBO WELL ELECTRIC APPLANCE CO., LTD.,** Ningbo (CN)
(72) Inventor: **Guolin Yu,** Ningbo (CN)

D483,723 S * 12/2003 Adachi D13/139.7
D484,460 S * 12/2003 Cheng D13/137.4
D533,836 S * 12/2006 Young D13/137.1
D534,126 S * 12/2006 Chan D13/139.1
D559,783 S * 1/2008 Matzdorff D13/137.2
D612,333 S * 3/2010 Wu D13/139.1
D792,347 S * 7/2017 Callahan D13/139.7

(73) Assignee: **NINGBO WELL ELECTRIC APPLANCE CO., LTD.,** Ningbo (CN)

* cited by examiner

(**) Term: **15 Years**

Primary Examiner — Manpreet S Matharu
Assistant Examiner — Jennifer M Campbell
(74) *Attorney, Agent, or Firm* — Hemisphere Law, PLLC; Zhigang Ma

(21) Appl. No.: **29/601,489**

(22) Filed: **Apr. 23, 2017**

(57) **CLAIM**

(51) **LOC (11) Cl.** **13-03**

The ornamental design for an electrical socket, as shown and described.

(52) **U.S. Cl.**

USPC **D13/139.7**

DESCRIPTION

(58) **Field of Classification Search**

USPC D13/137.2, 137.4, 138.1, 138.2, D13/139.1–139.8

CPC .. H01R 13/6675; H01R 13/44; H01R 31/065; H01R 13/4534

See application file for complete search history.

FIG. 1 is a perspective view of an electrical socket, showing my new design;
FIG. 2 is a front view thereof;
FIG. 3 is a rear view thereof;
FIG. 4 is a left side view thereof;
FIG. 5 is a right side view thereof;
FIG. 6 is a top plan view thereof; and,
FIG. 7 is a bottom plan view thereof.

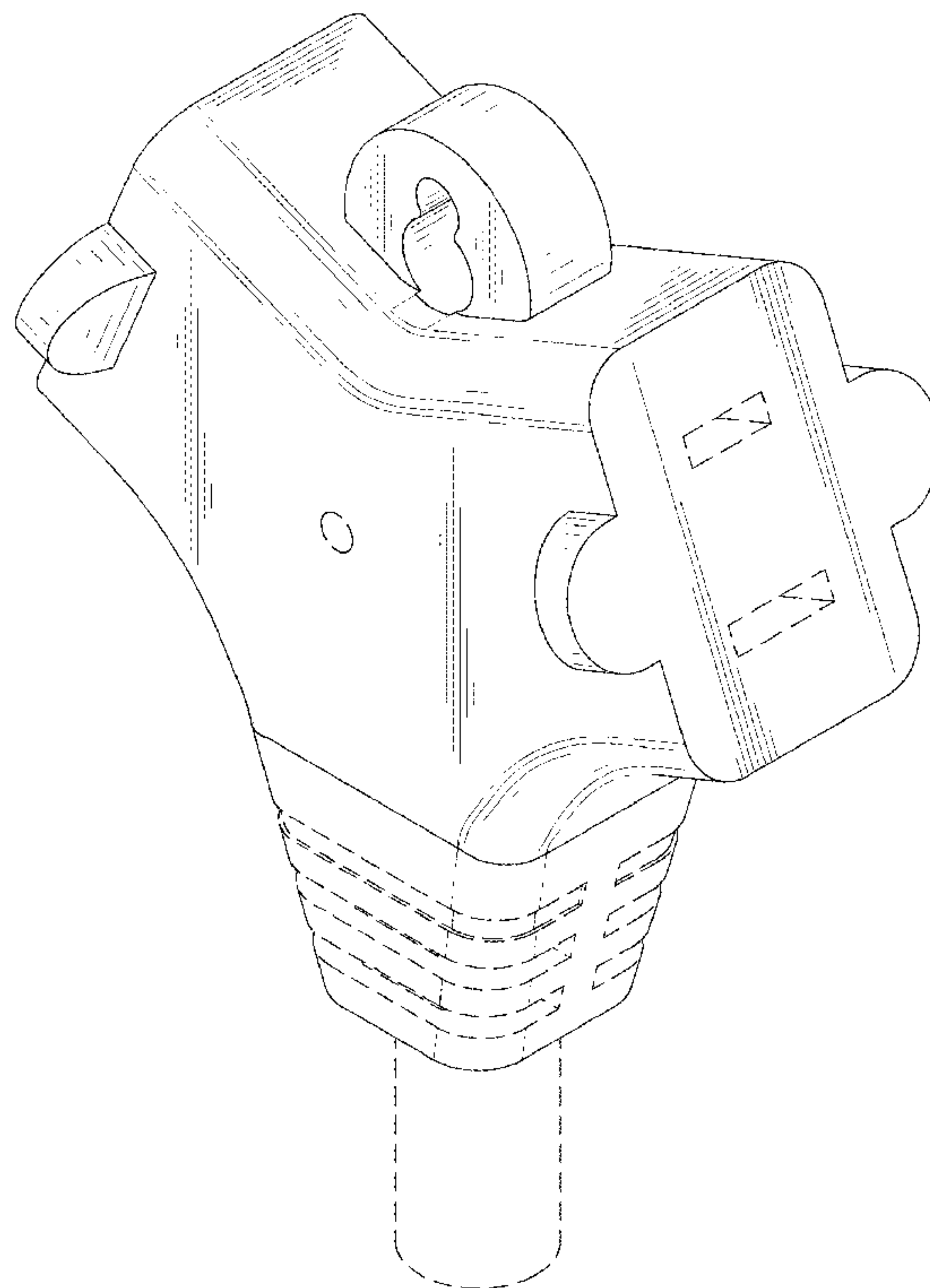
The broken lines shown are included for the purpose of illustrating portions of the electrical socket which form no part of the claimed design.

(56) **References Cited**

U.S. PATENT DOCUMENTS

D251,293 S * 3/1979 Trueblood D13/137.2
D297,634 S * 9/1988 Poliak D13/139.7
D326,641 S * 6/1992 Estaban D13/139.7
D415,105 S * 10/1999 Lee D13/139.1
D483,331 S * 12/2003 Adachi D13/139.7

1 Claim, 7 Drawing Sheets



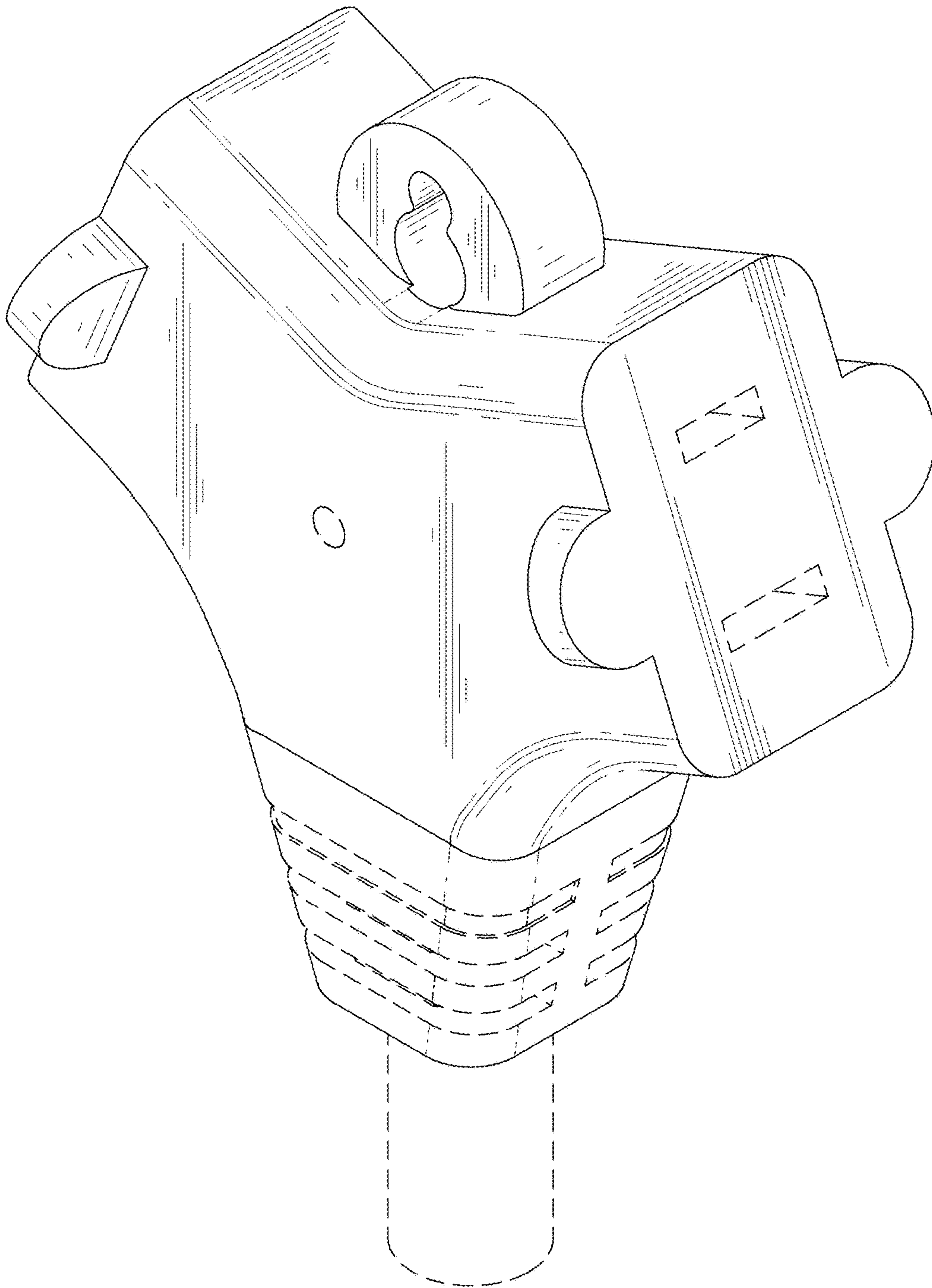


FIG. 1

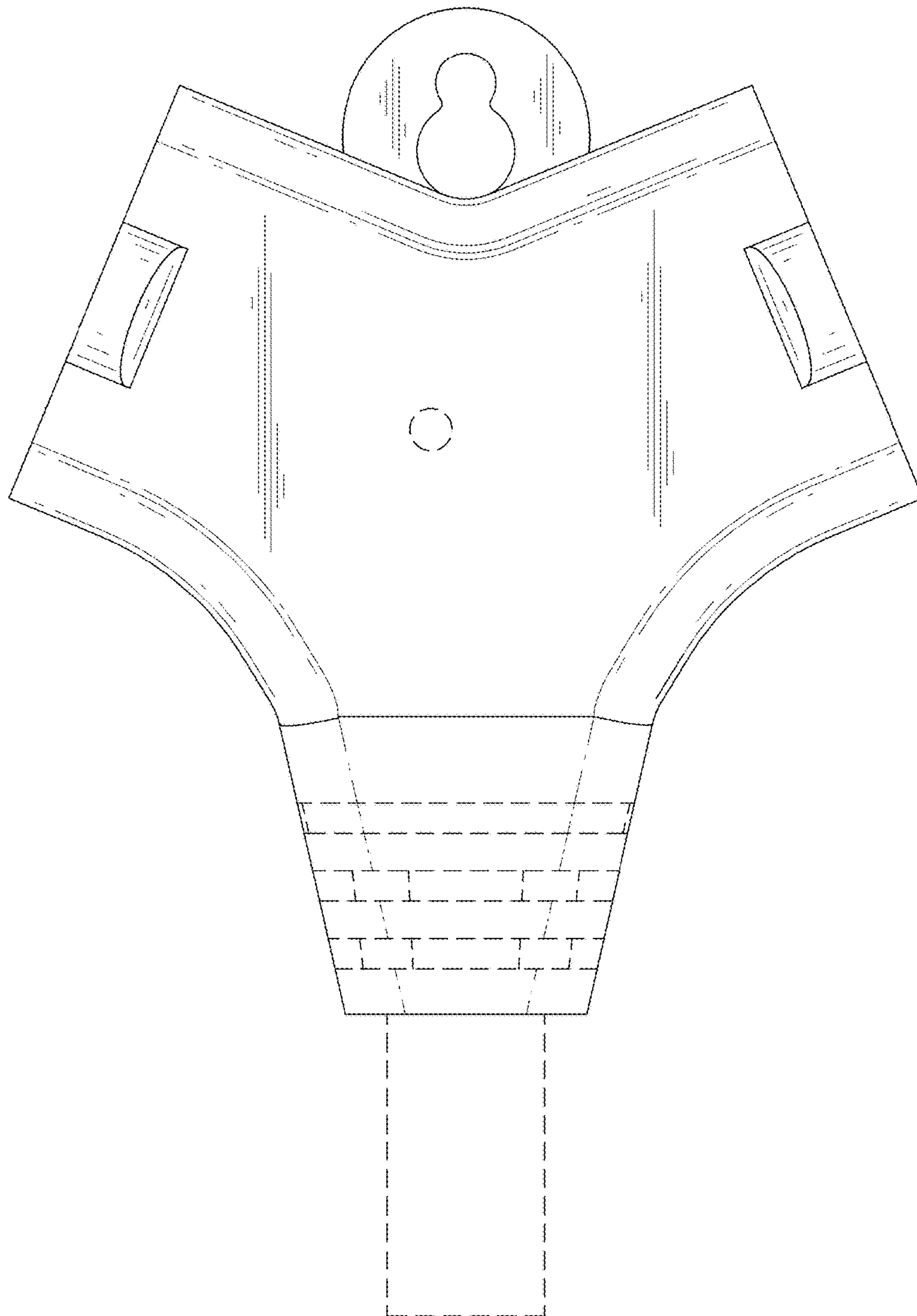


FIG. 2

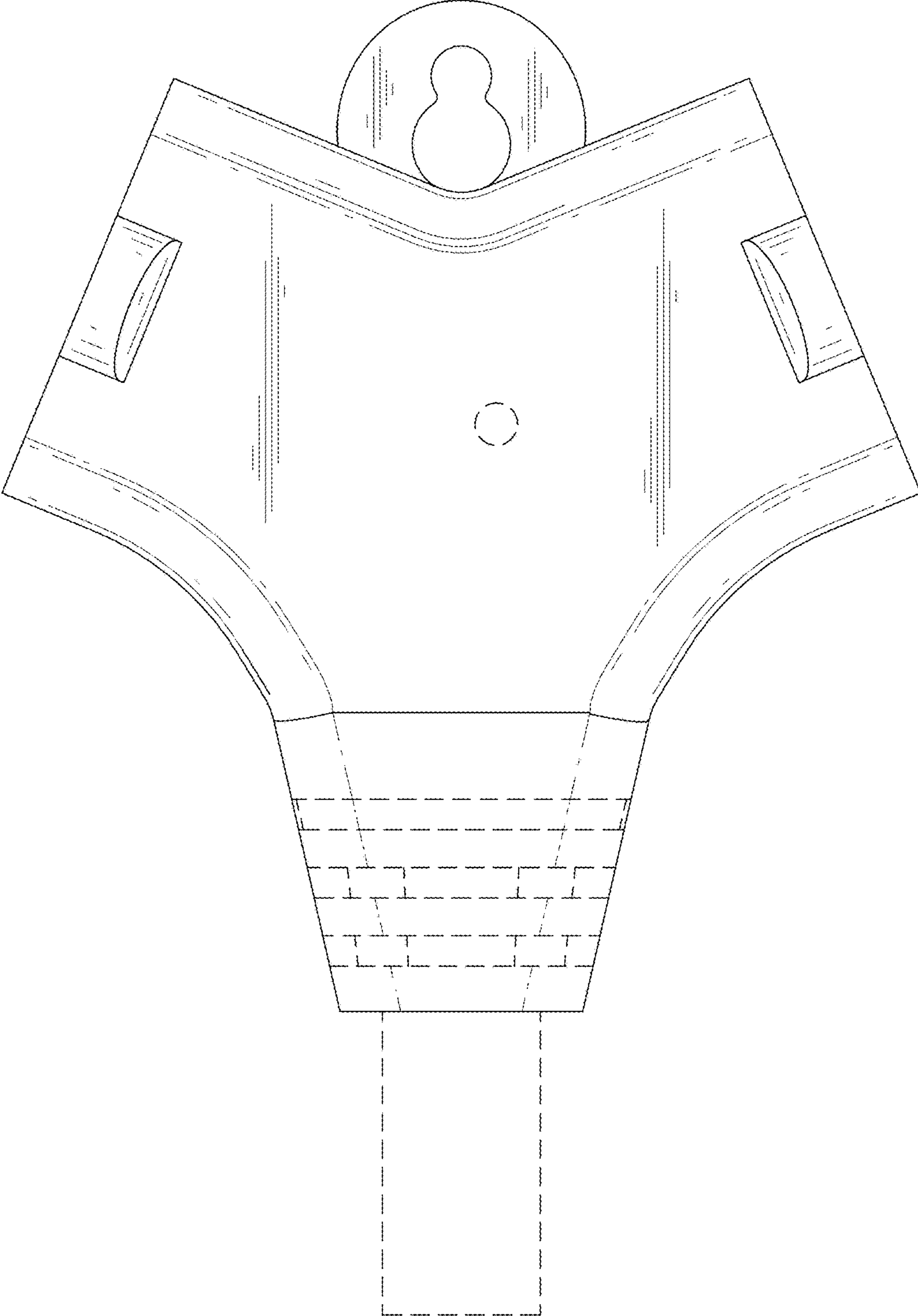


FIG. 3

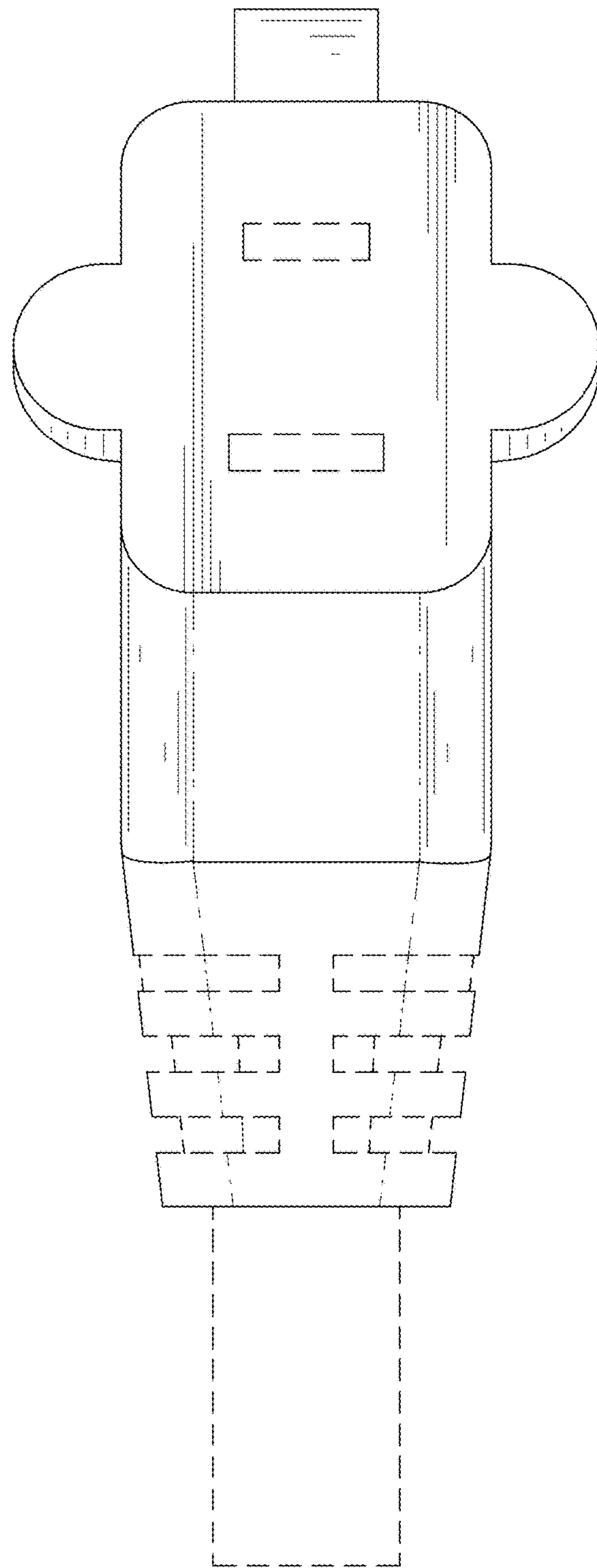


FIG. 4

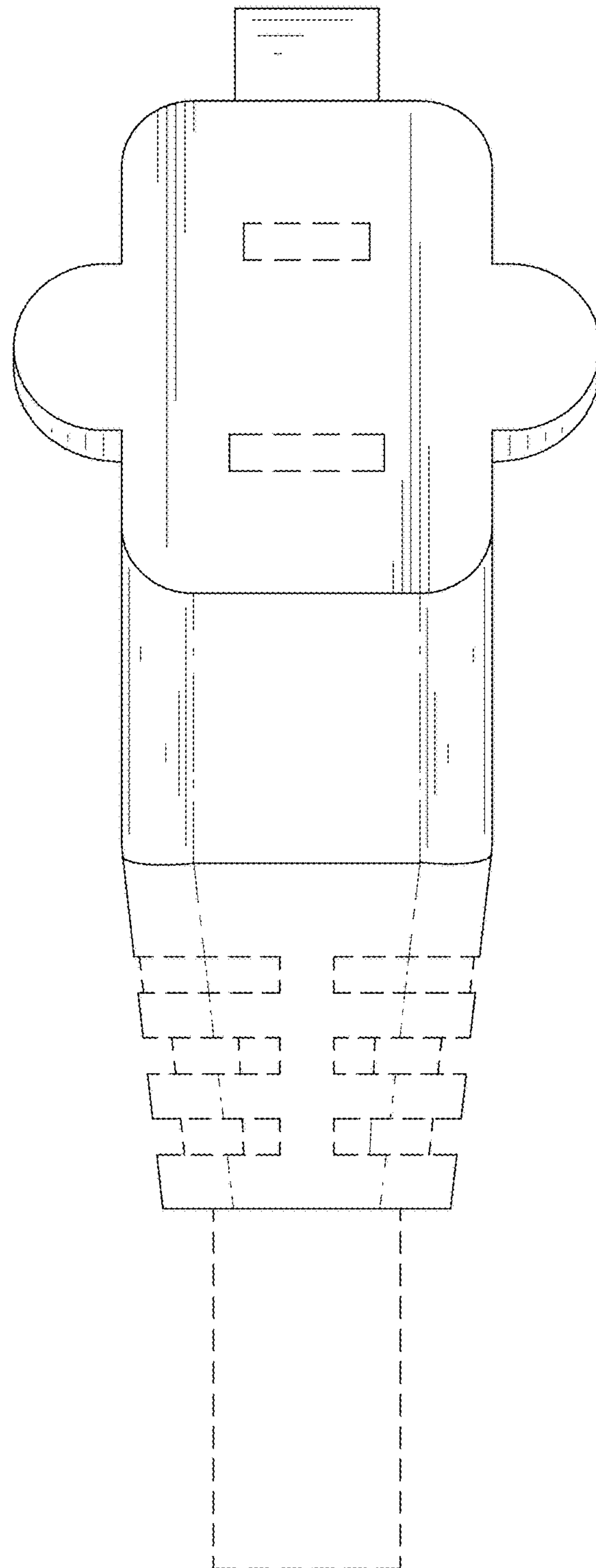


FIG. 5

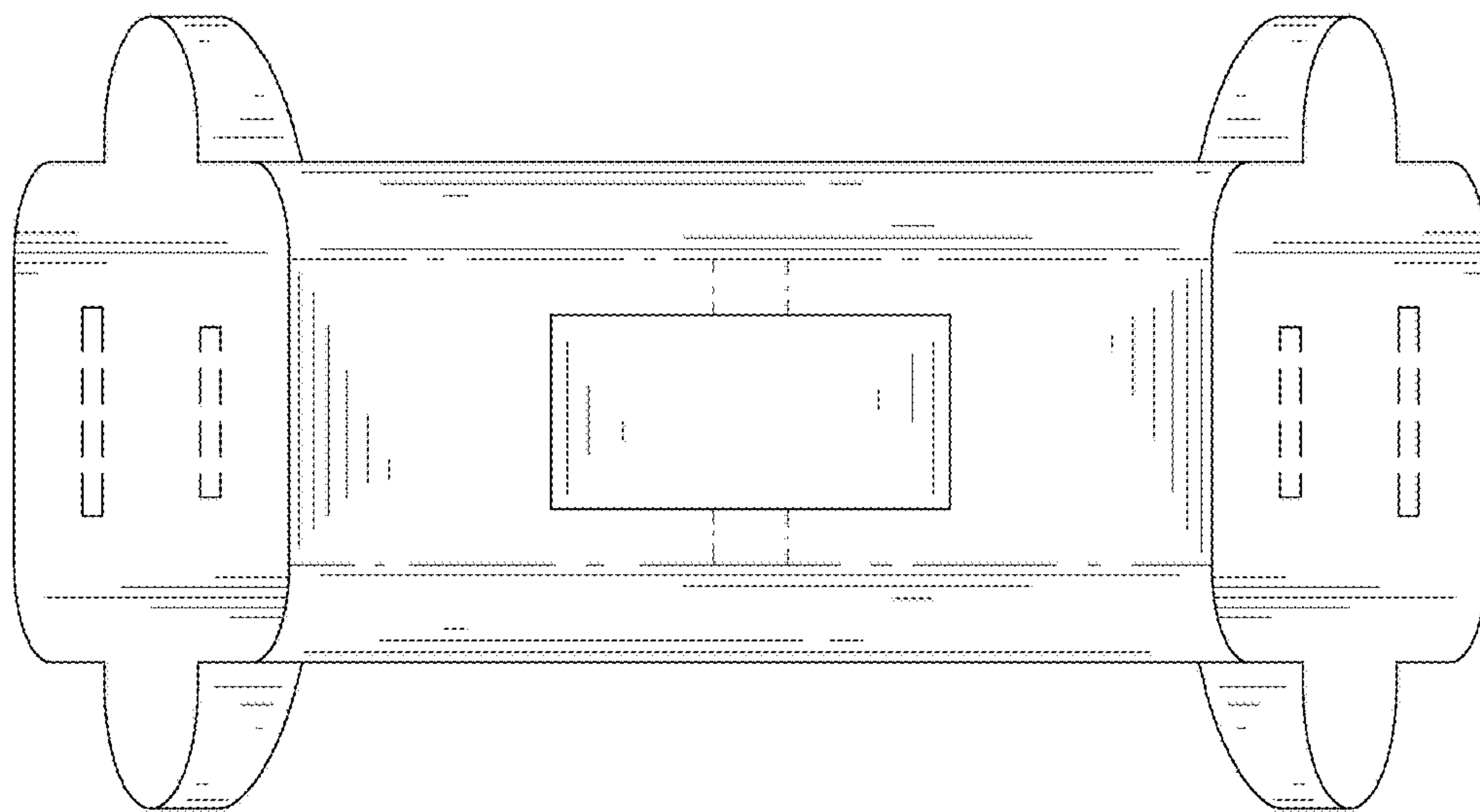


FIG. 6

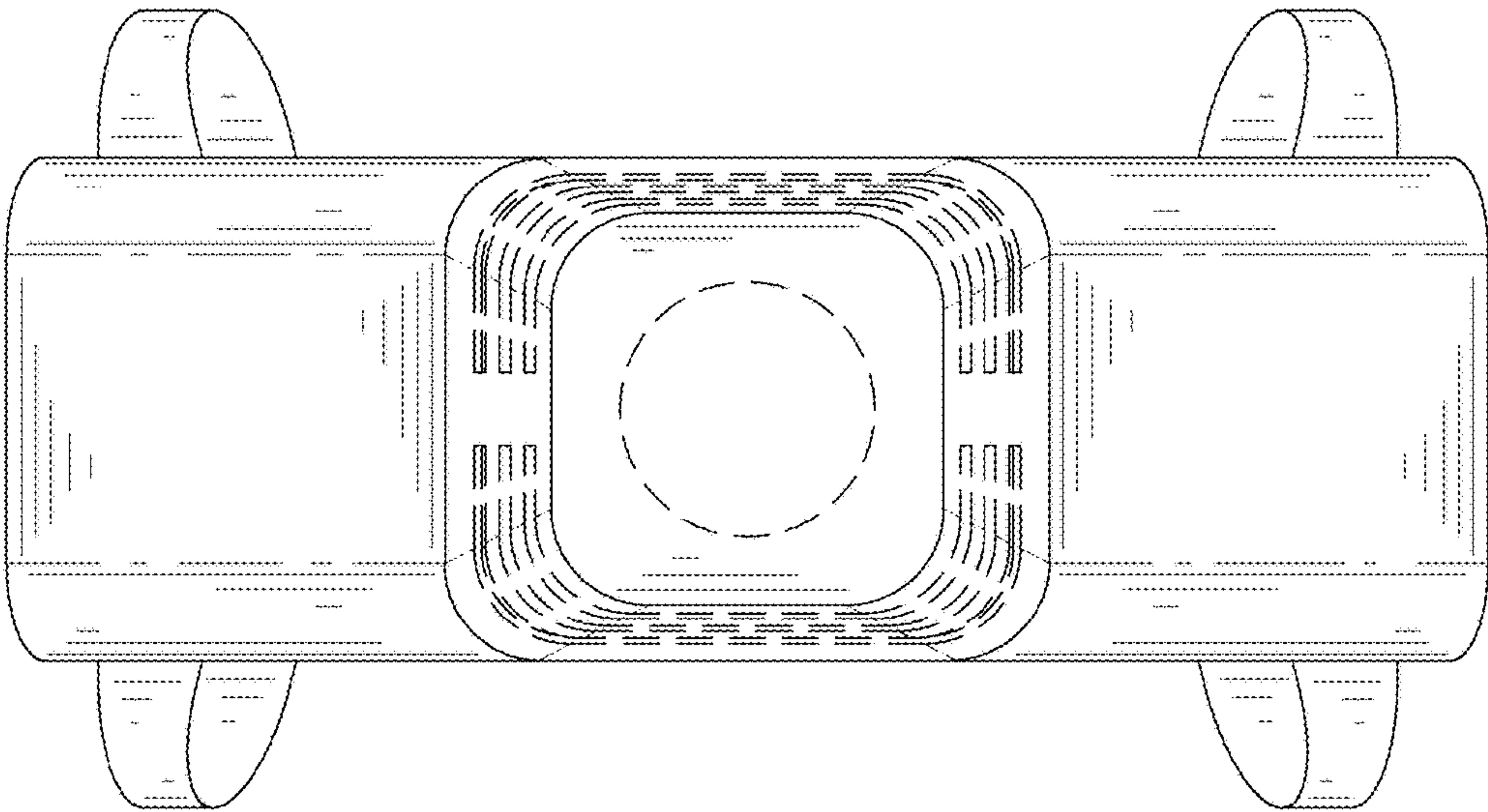


FIG. 7