



US00D821977S

(12) **United States Design Patent**
Ye et al.

(10) **Patent No.:** **US D821,977 S**
(45) **Date of Patent:** **** Jul. 3, 2018**

(54) **PLUG**

(71) Applicant: **GUANGDONG MIDEA REFRIGERATION APPLIANCES CO., LTD.**, Foshan, Guangdong (CN)

(72) Inventors: **Jiabing Ye**, Foshan (CN); **Hua Cao**, Guangdong (CN); **Lin Gan**, Guangdong (CN)

(73) Assignee: **GUANGDONG MIDEA REFRIGERATION APPLIANCES CO., LTD.** (CN)

(**) Term: **15 Years**

(21) Appl. No.: **29/600,998**

(22) Filed: **Apr. 18, 2017**

(30) **Foreign Application Priority Data**

Dec. 21, 2016 (CN) 2016 3 0633818

(51) **LOC (11) Cl.** **13-03**

(52) **U.S. Cl.**
USPC **D13/138.2**

(58) **Field of Classification Search**
USPC D13/138.2, 138.4, 133, 146, 147, 148, D13/151, 152, 154, 158, 173, 184, 199
CPC H01R 13/35; H01R 13/44; H01R 13/63; H01R 13/64; H01R 13/622; H01R 13/745; H01R 31/065; H01R 29/00
See application file for complete search history.

(56) **References Cited**

U.S. PATENT DOCUMENTS

D367,845 S * 3/1996 Jacobs D13/138.2
D401,556 S * 11/1998 Stekelenburg D13/138.2
D473,188 S * 4/2003 Cheah D13/138.2
D549,651 S * 8/2007 Mancari D13/138.2
D562,766 S * 2/2008 Yang D13/110

D638,359 S * 5/2011 Atwell D13/138.2
D652,800 S * 1/2012 Liang-Hsu D13/138.2
D653,214 S * 1/2012 Zou D13/138.2
D657,313 S * 4/2012 Fahrendorff D13/138.2

(Continued)

Primary Examiner — Manpreet S Matharu

Assistant Examiner — Jennifer M Campbell

(74) *Attorney, Agent, or Firm* — Onello & Mello, LLP

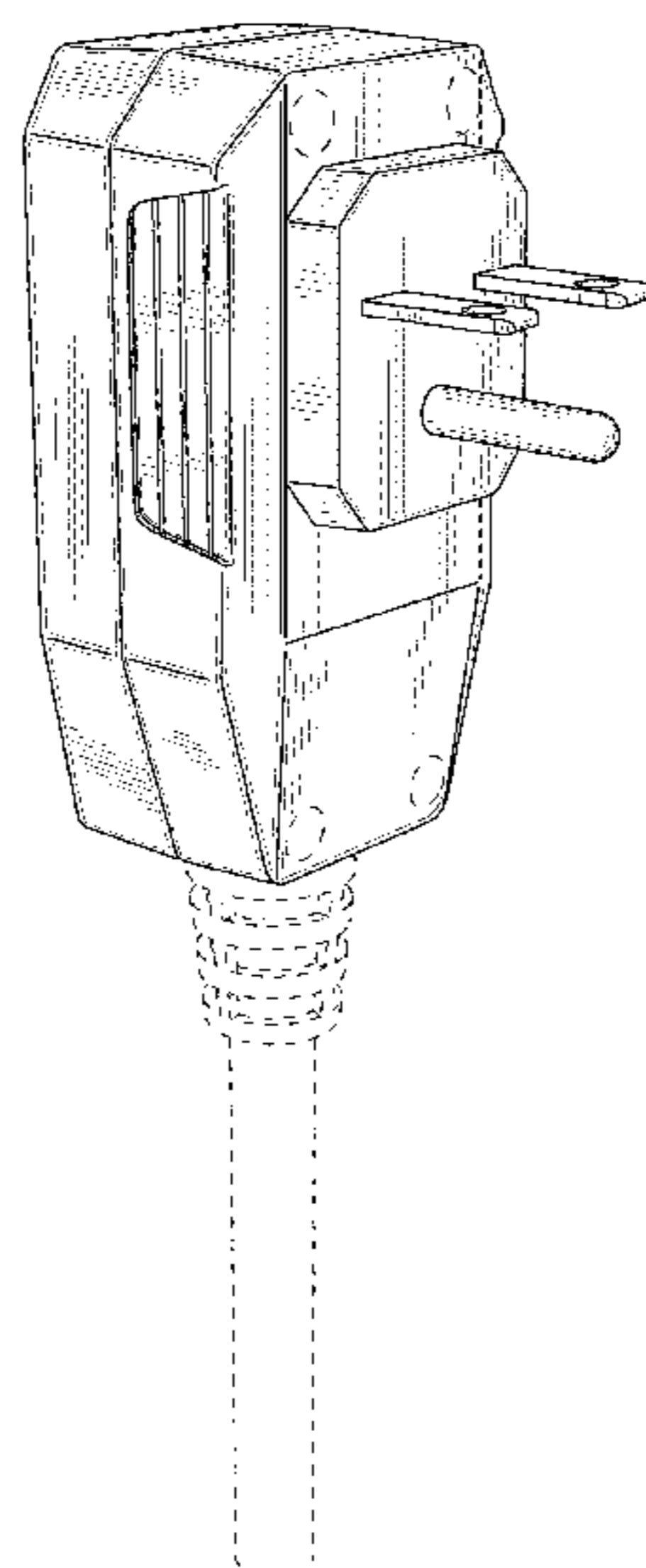
(57) **CLAIM**

The ornamental design for a plug, as shown and described.

DESCRIPTION

FIG. 1 is an isometric view of a first embodiment of a plug, in accordance with the present invention;
FIG. 2 is a rear view of the plug of FIG. 1;
FIG. 3 is a front view of the plug of FIG. 1;
FIG. 4 is a right side view of the plug of FIG. 1;
FIG. 5 is a left side view of the plug of FIG. 1;
FIG. 6 is a top view of the plug of FIG. 1;
FIG. 7 is a bottom side view of the plug of FIG. 1.
FIG. 8 is an isometric view of a second embodiment of a plug, in accordance with the present invention;
FIG. 9 is a rear view of the plug of FIG. 8;
FIG. 10 is a front view of the plug of FIG. 8;
FIG. 11 is a right side view of the plug of FIG. 8;
FIG. 12 is a left side view of the plug of FIG. 8;
FIG. 13 is a top view of the plug of FIG. 8;
FIG. 14 is a bottom side view of the plug of FIG. 8.
FIG. 15 is an isometric view of a third embodiment of a plug, in accordance with the present invention;
FIG. 16 is a rear view of the plug of FIG. 15;
FIG. 17 is a front view of the plug of FIG. 15;
FIG. 18 is a right side view of the plug of FIG. 15;
FIG. 19 is a left side view of the plug of FIG. 15;
FIG. 20 is a top view of the plug of FIG. 15; and
FIG. 21 is a bottom side view of the plug of FIG. 15.
In the drawings, broken lines illustrate environment and form no part of the claimed design.

1 Claim, 15 Drawing Sheets



(56)

References Cited

U.S. PATENT DOCUMENTS

D660,235	S	*	5/2012	Liang-Hsu	D13/138.2
D664,095	S	*	7/2012	Benedict	D13/138.2
D670,248	S	*	11/2012	Chen	D13/138.2
D735,136	S	*	7/2015	Aromin	D13/138.2
D737,207	S	*	8/2015	Fletcher	D13/138.2
D738,310	S	*	9/2015	Fletcher	D13/138.2
D784,263	S	*	4/2017	Xu	D13/138.2

* cited by examiner

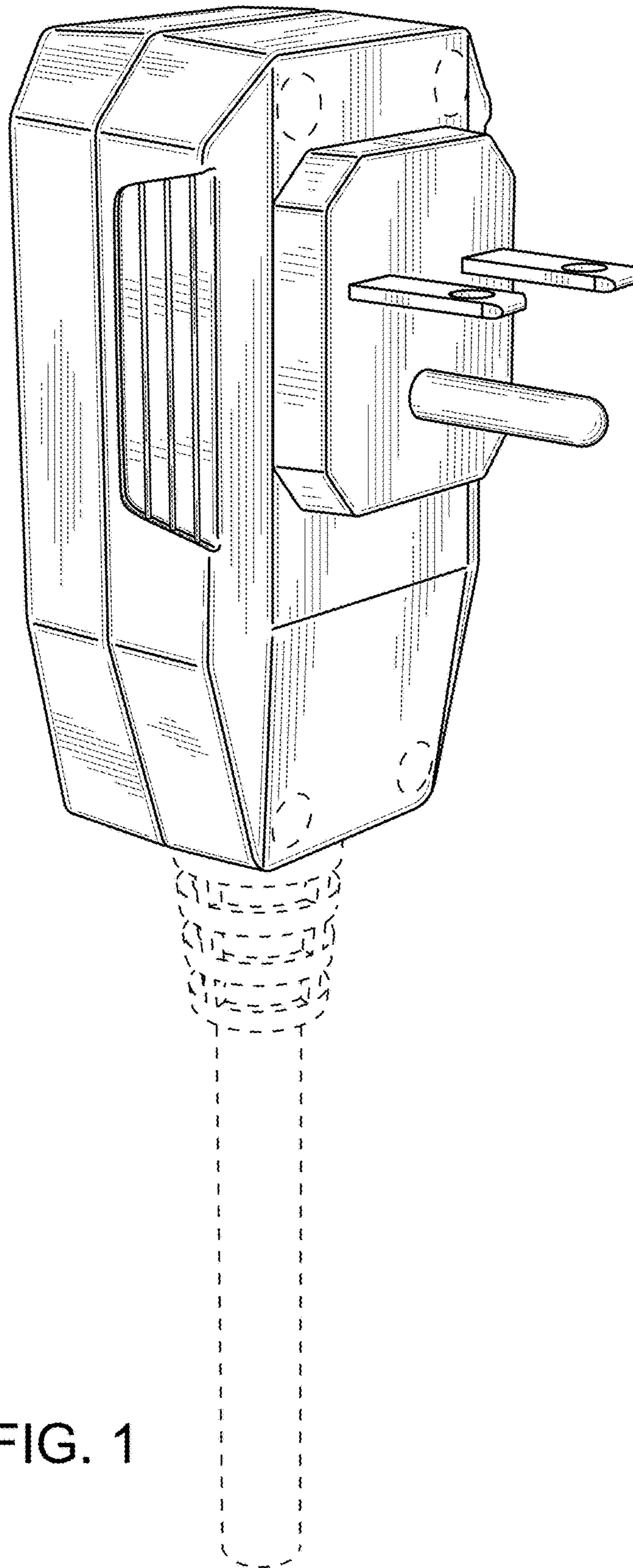


FIG. 1

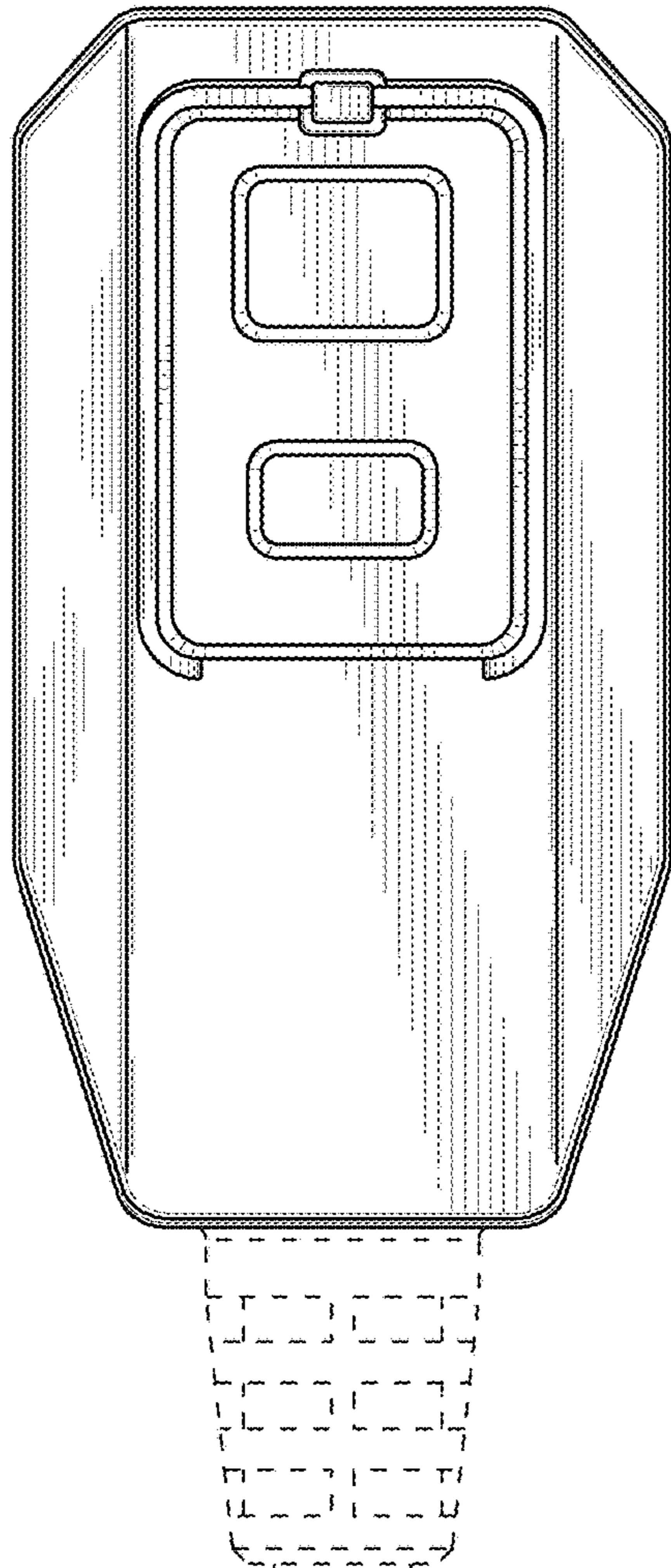


FIG. 2

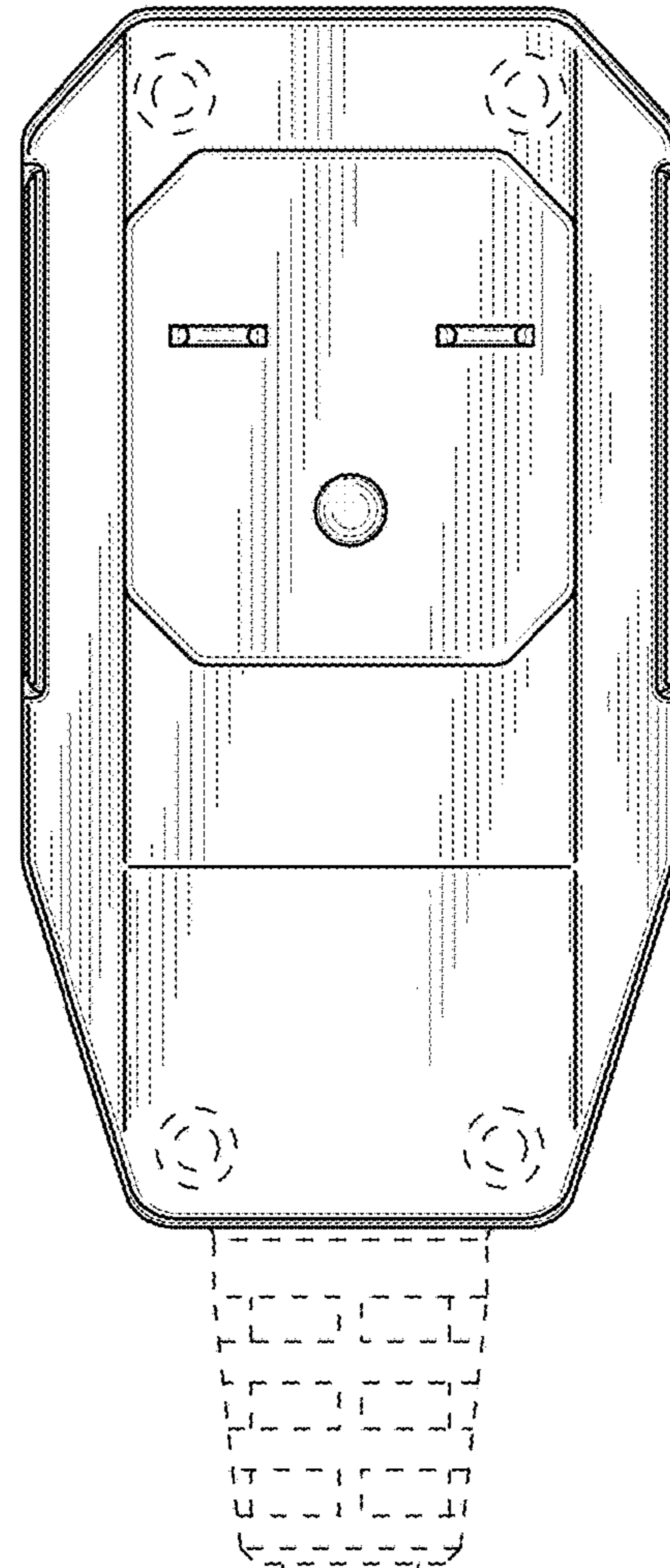


FIG. 3

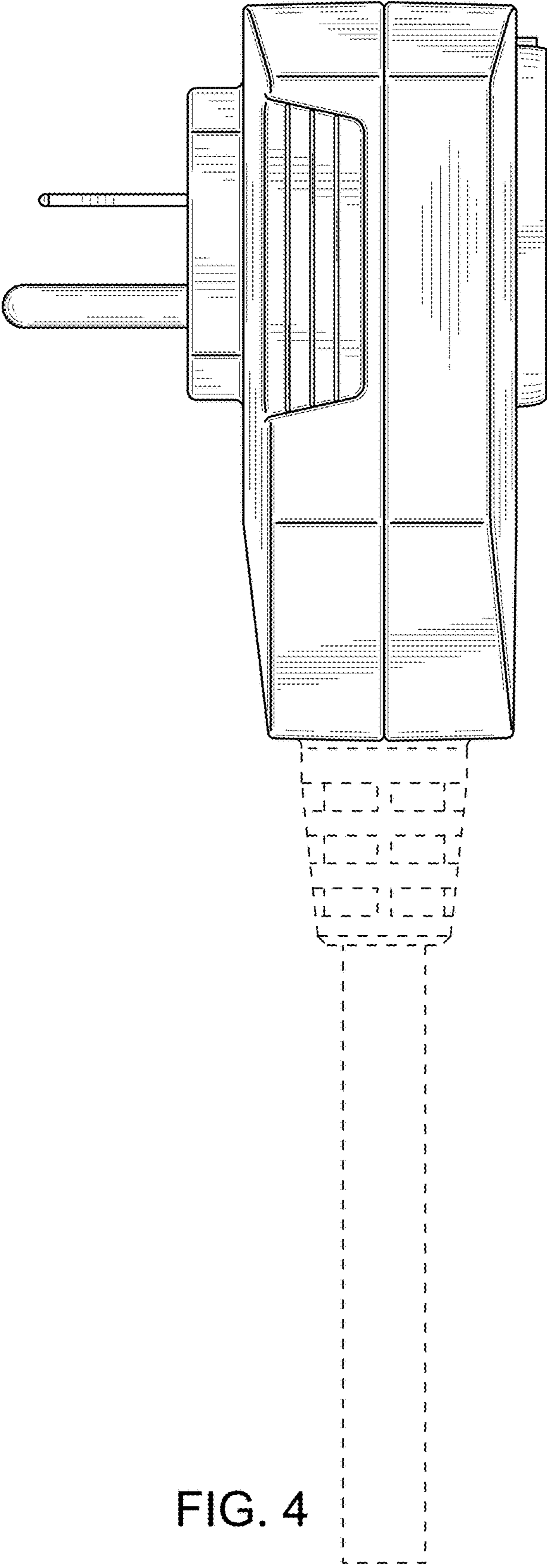


FIG. 4

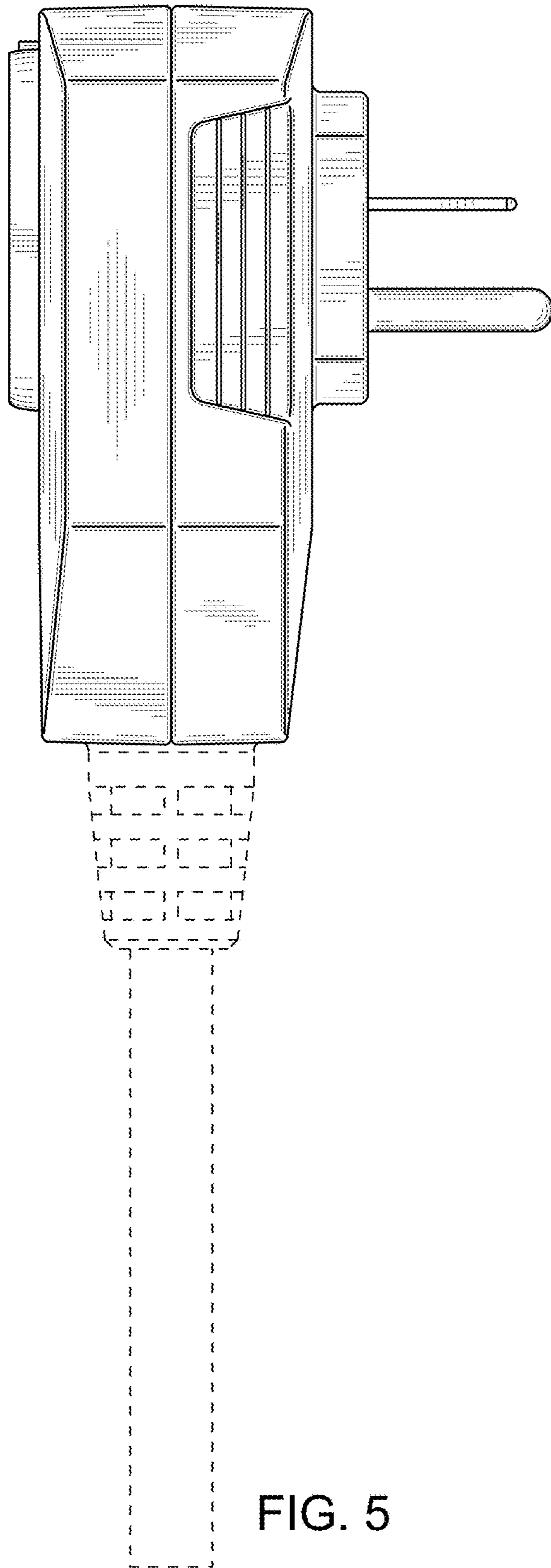


FIG. 5

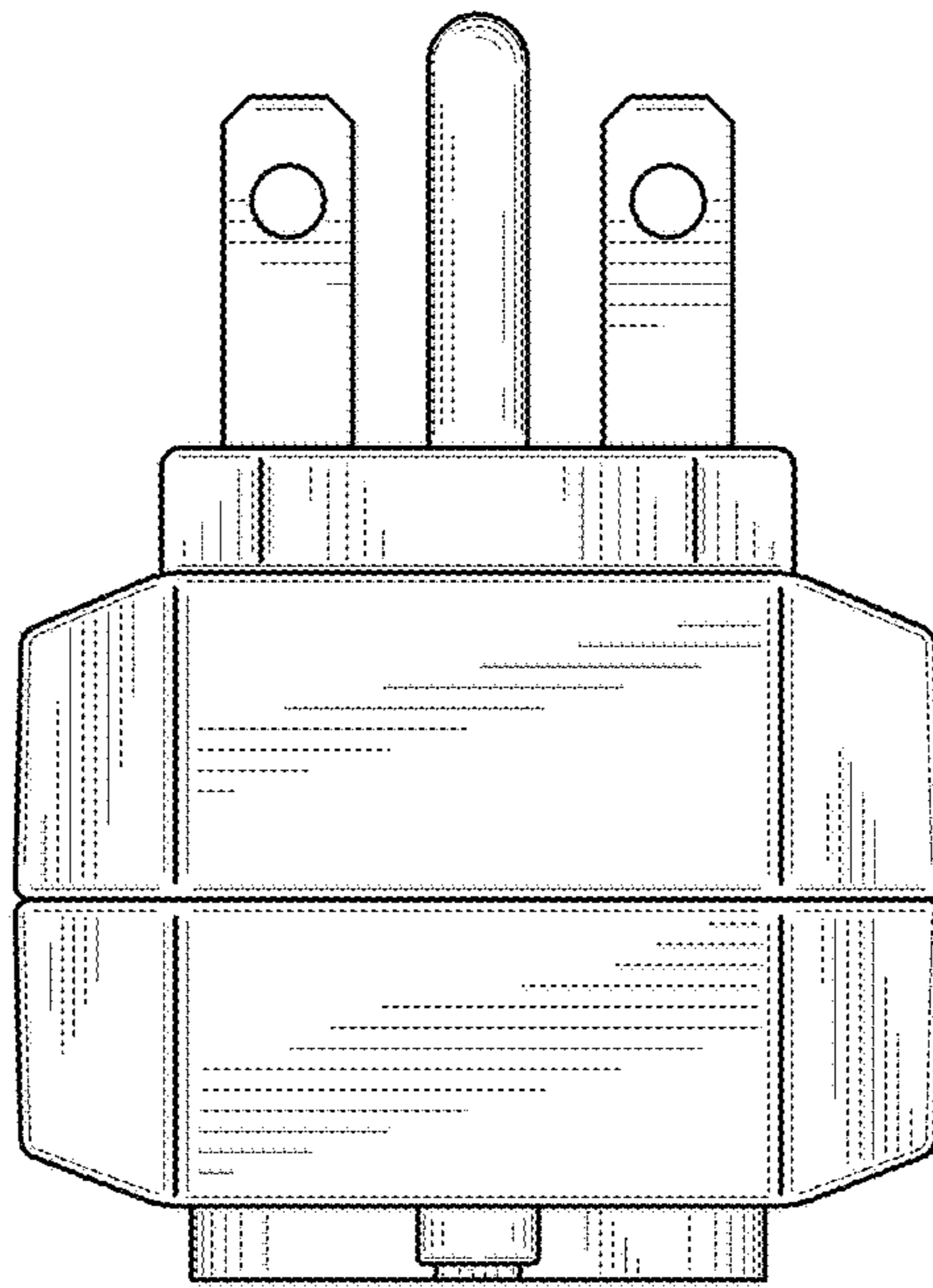


FIG. 6

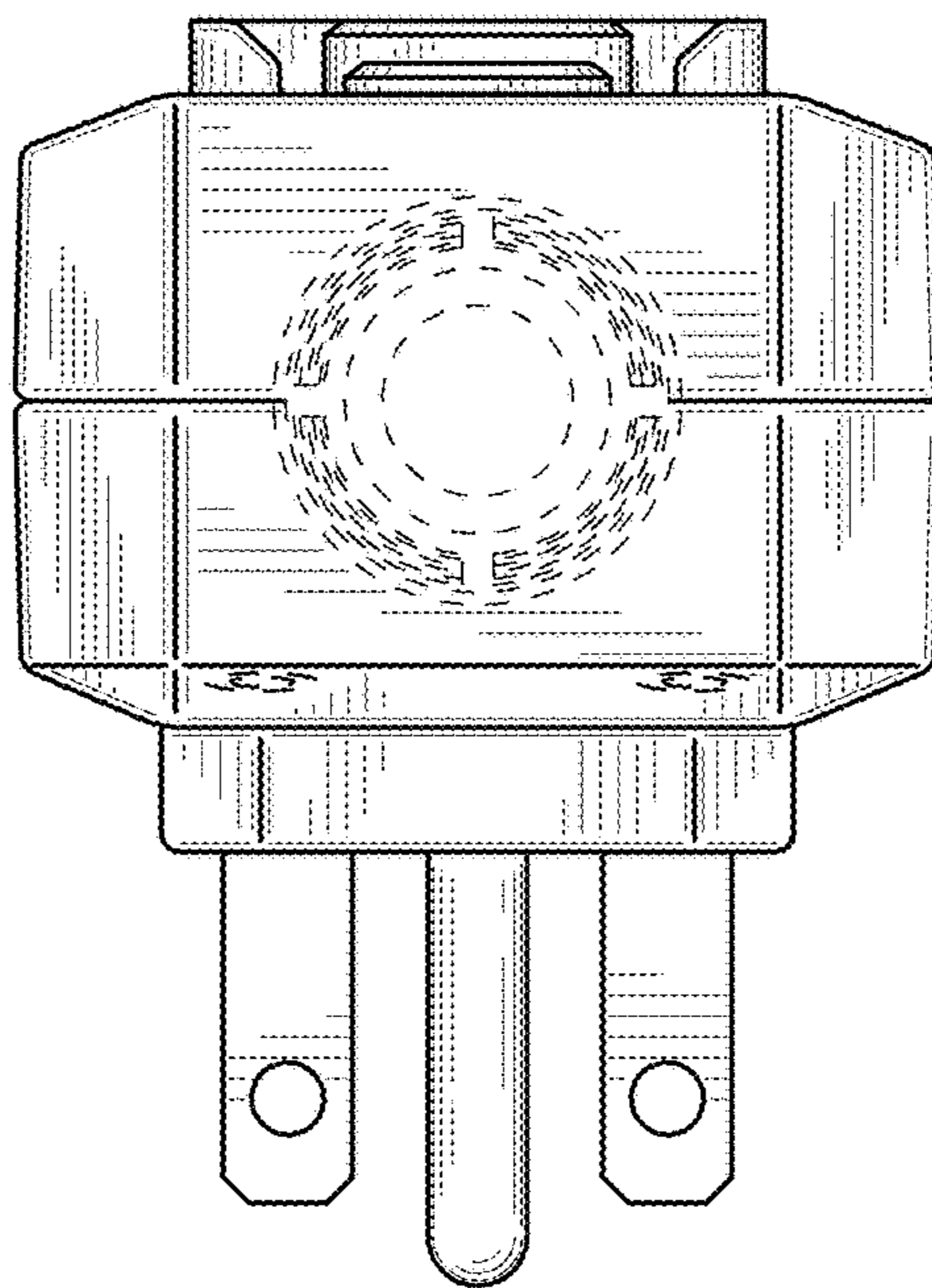


FIG. 7

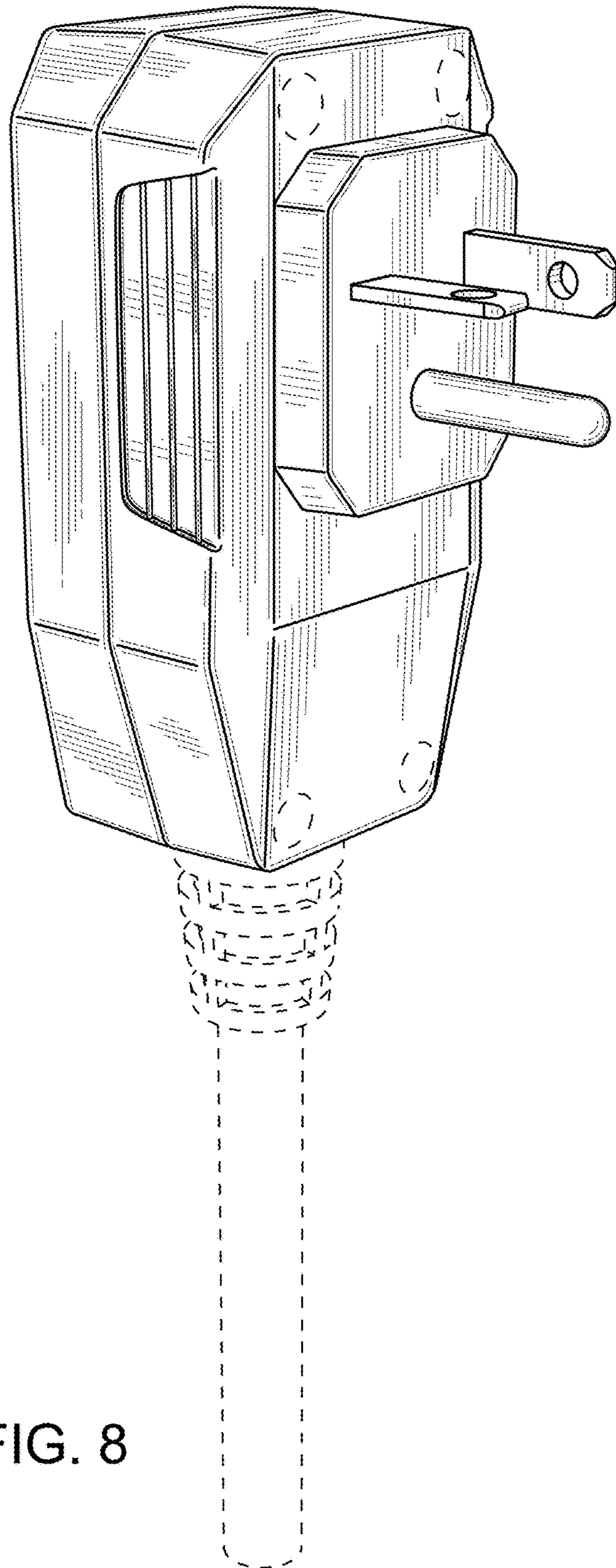


FIG. 8

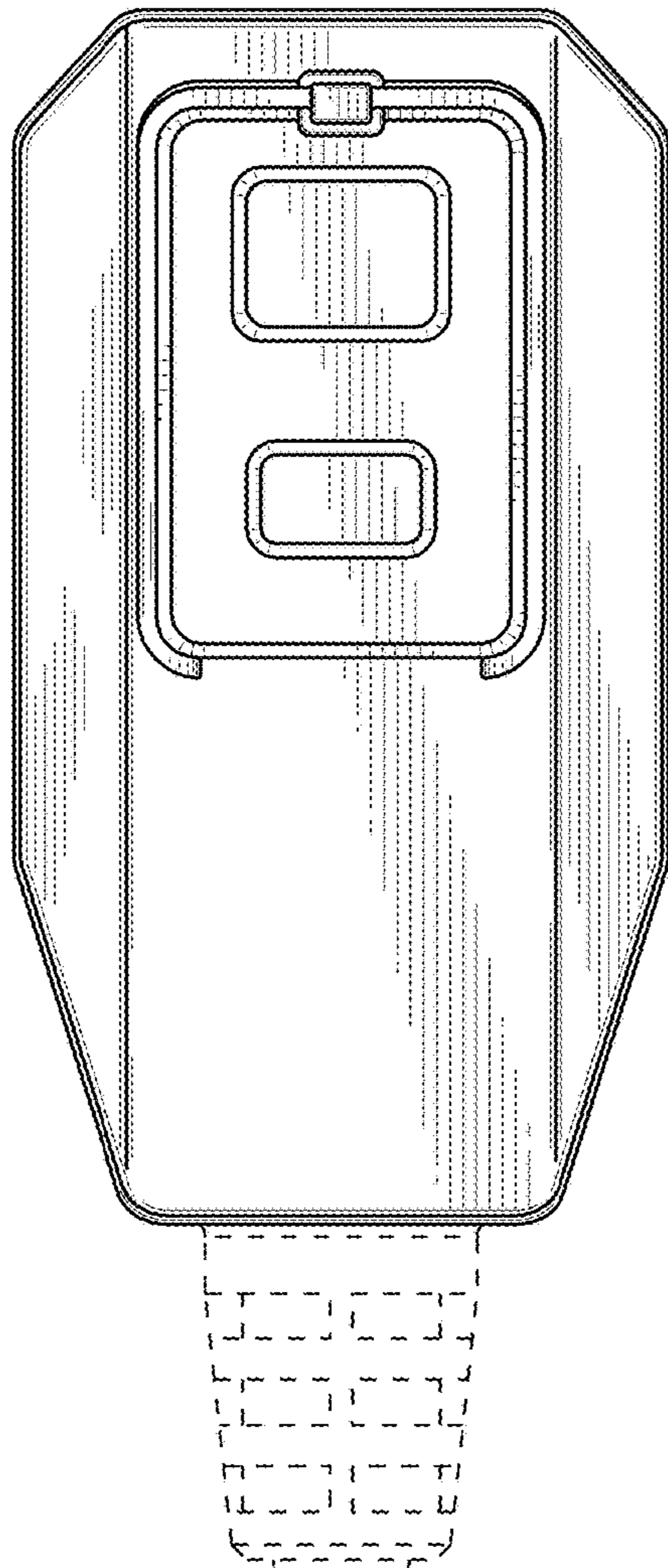


FIG. 9

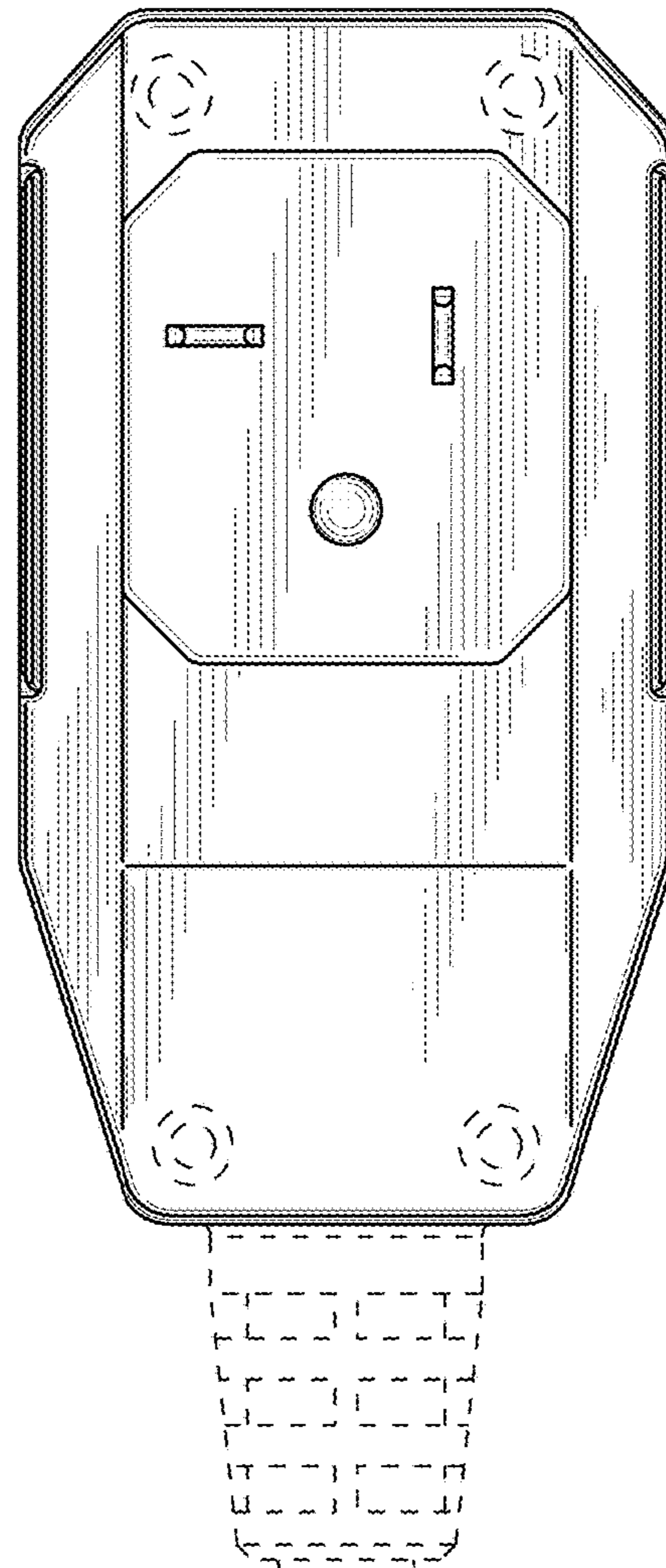


FIG. 10

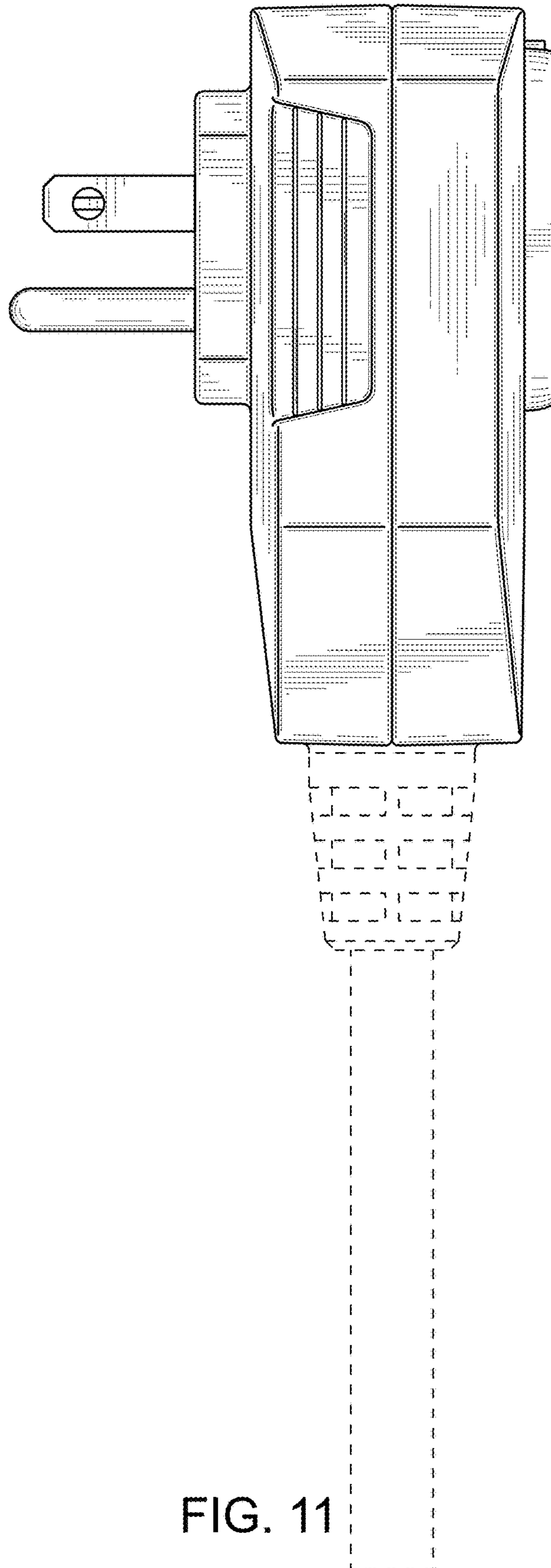


FIG. 11

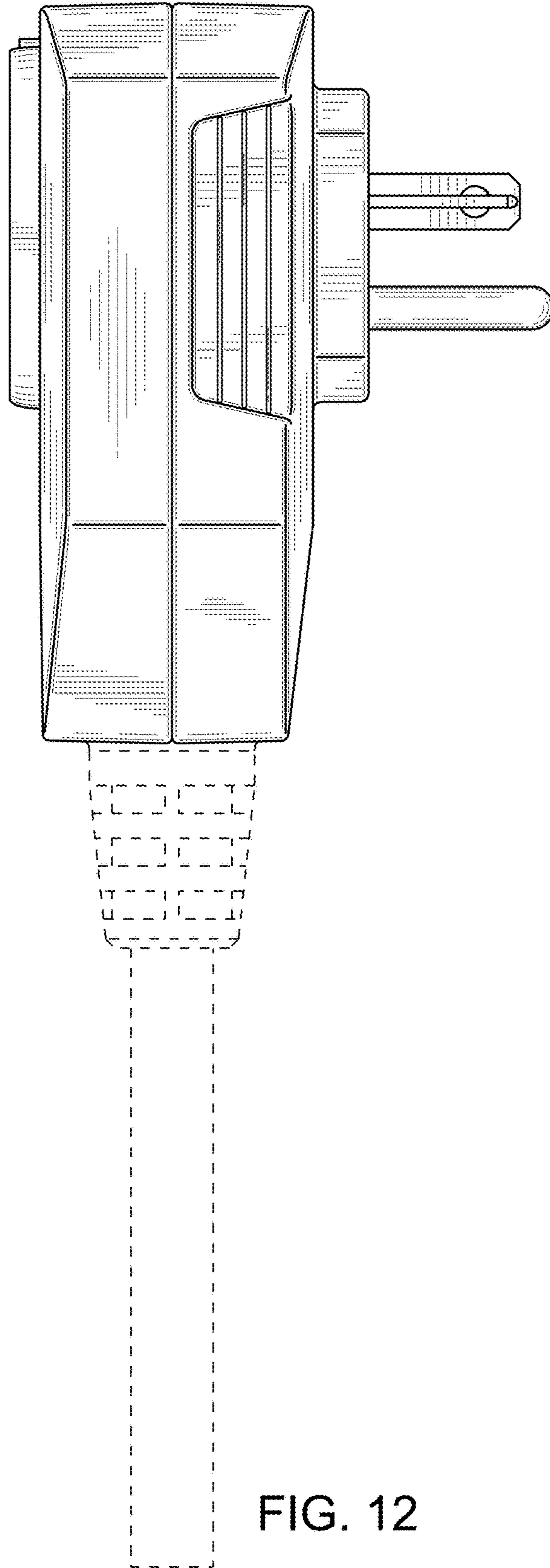


FIG. 12

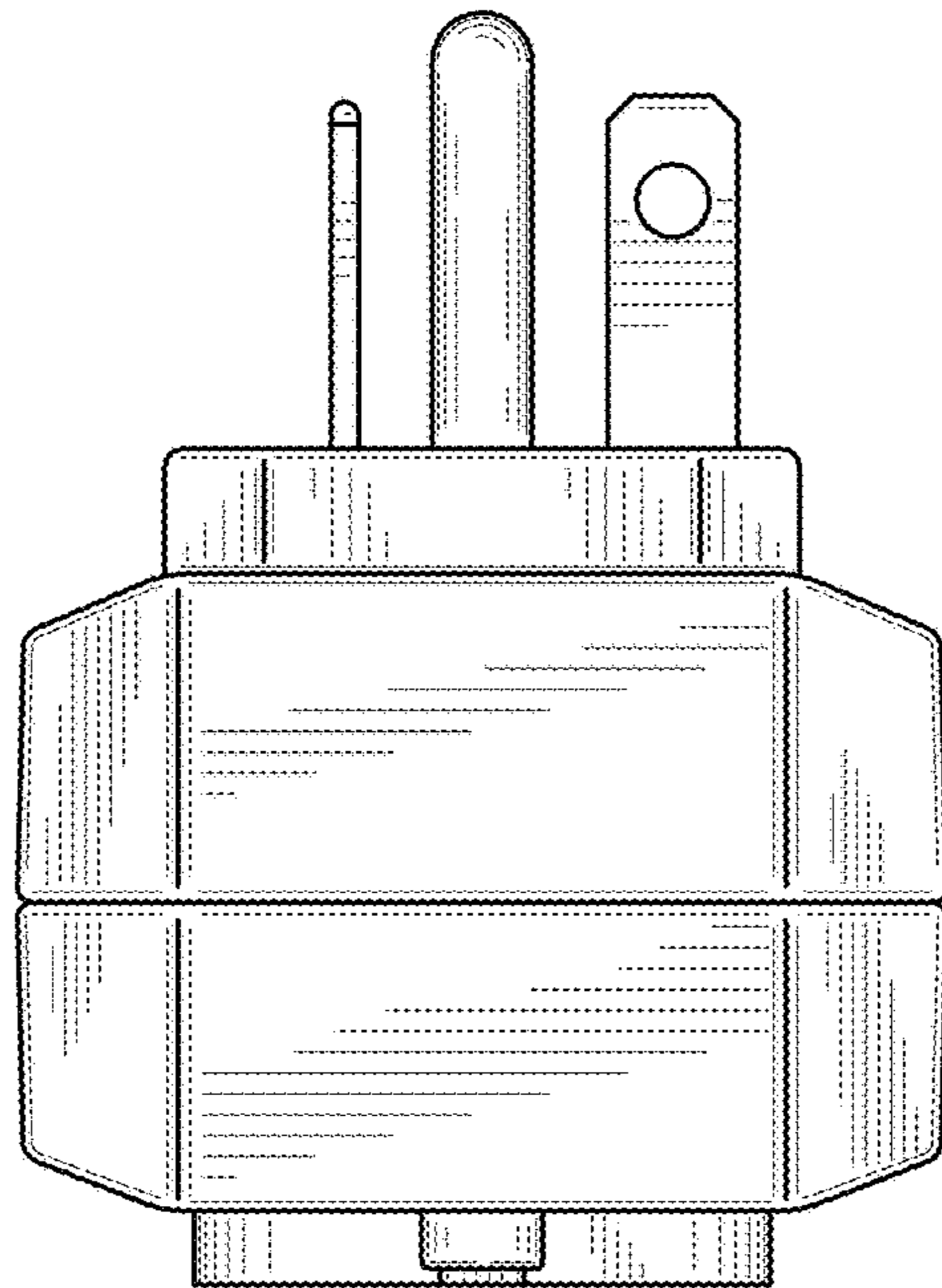


FIG. 13

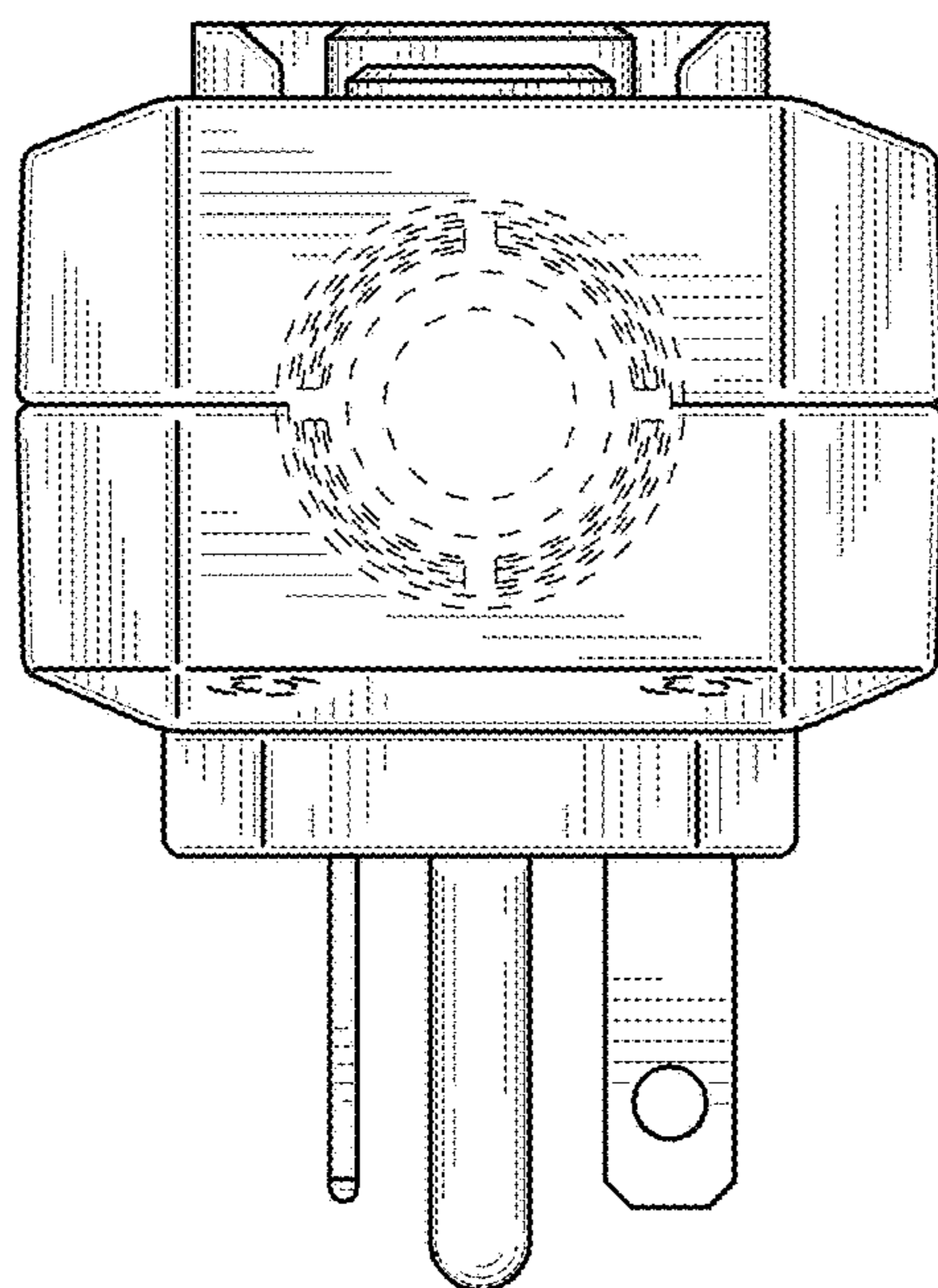


FIG. 14

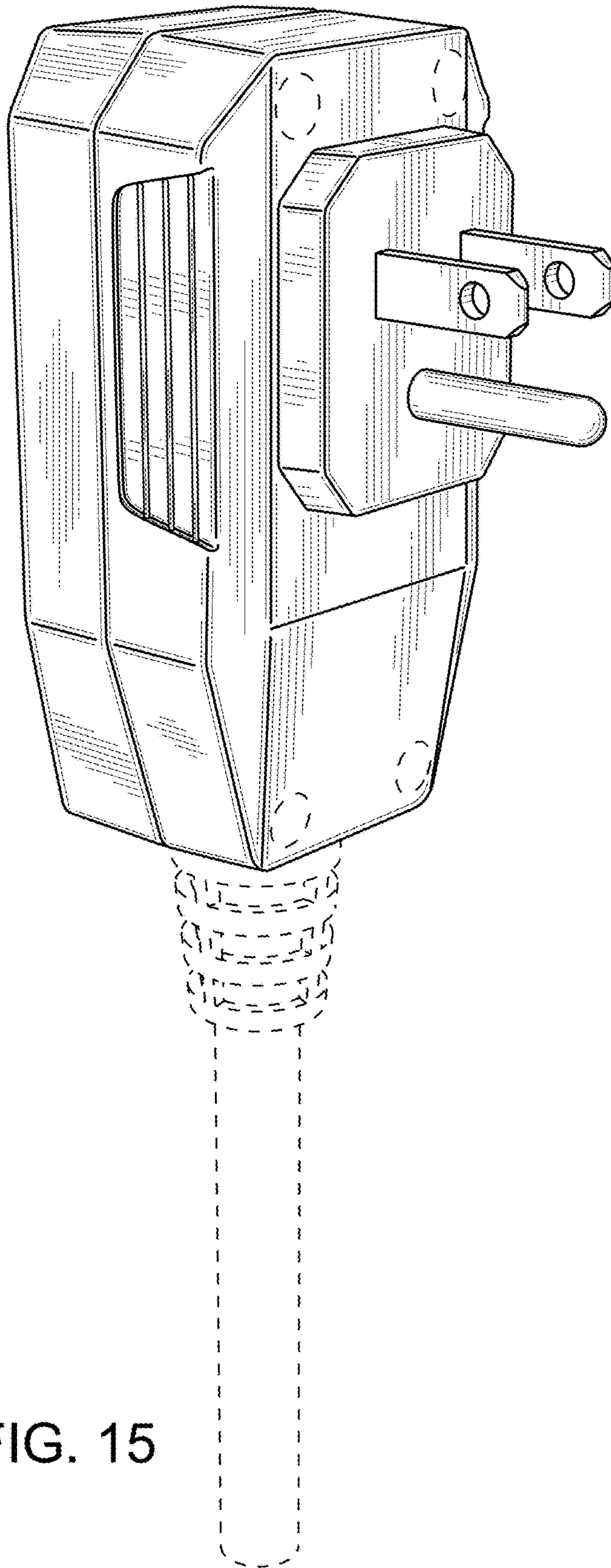


FIG. 15

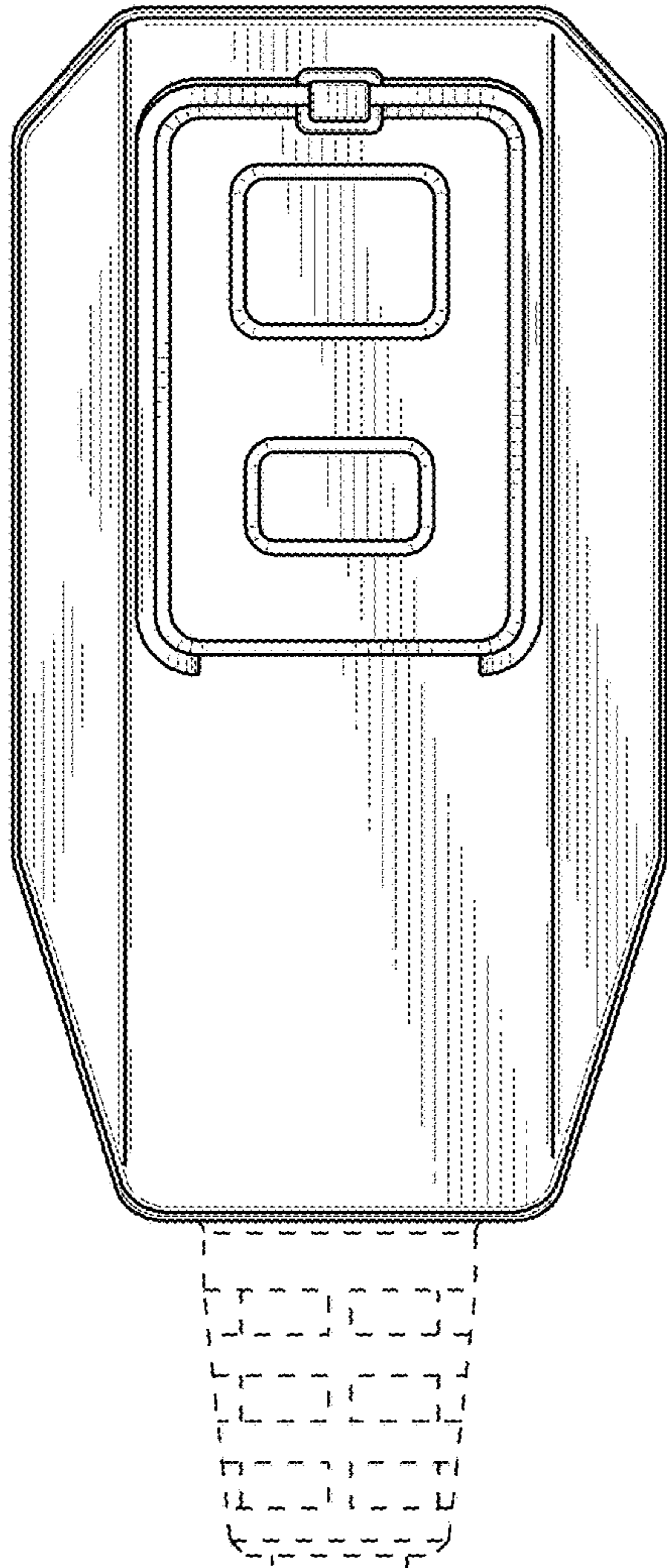


FIG. 16

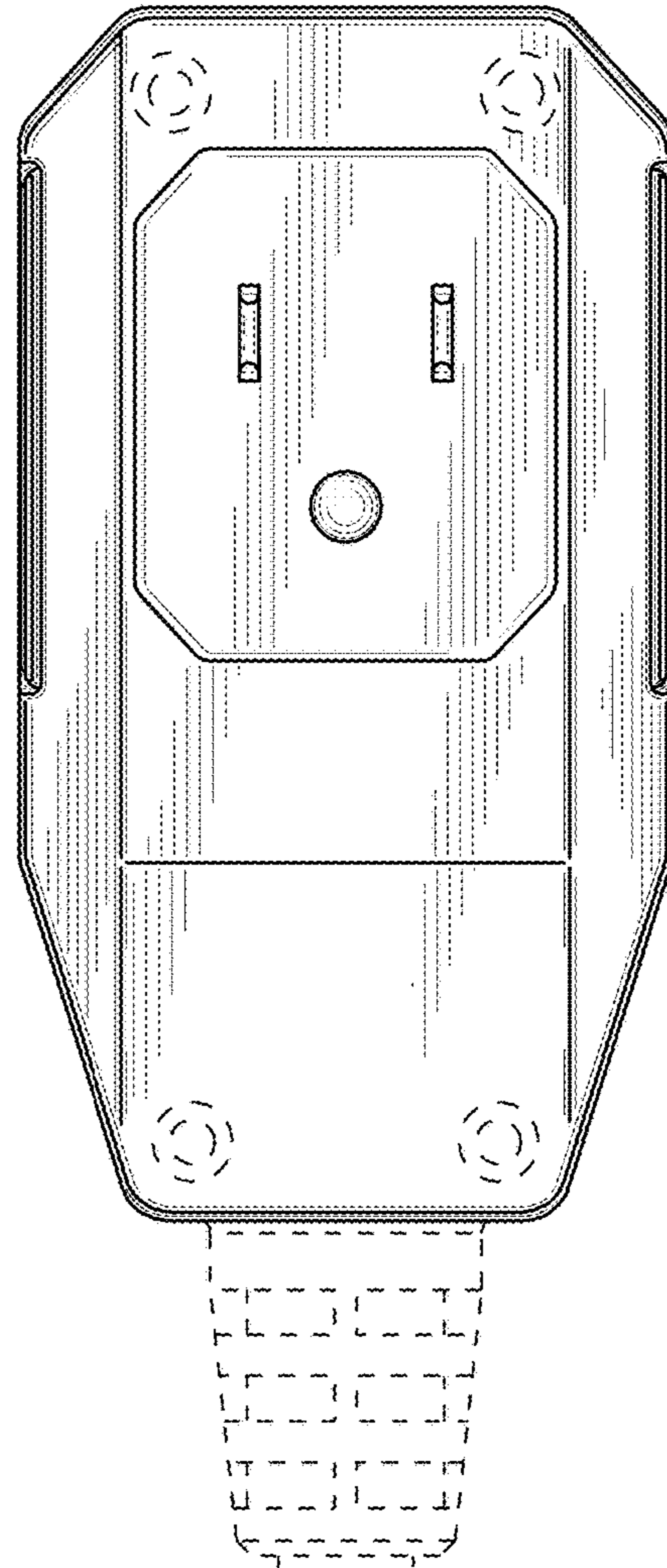


FIG. 17

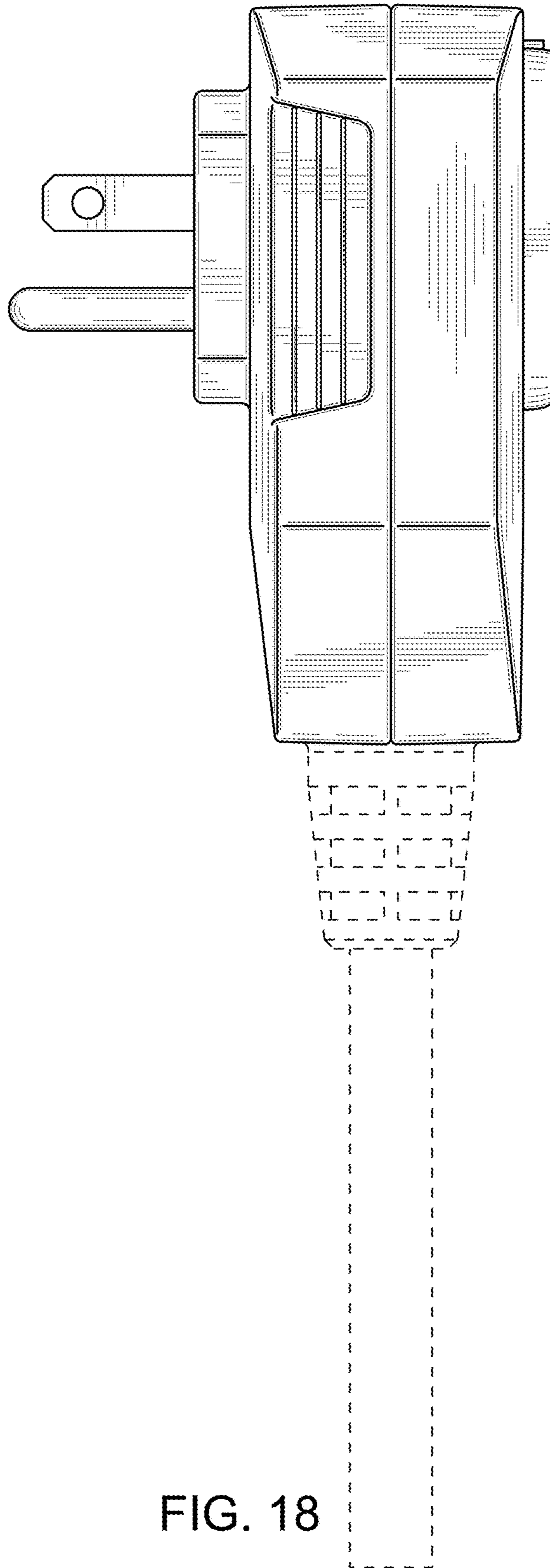


FIG. 18

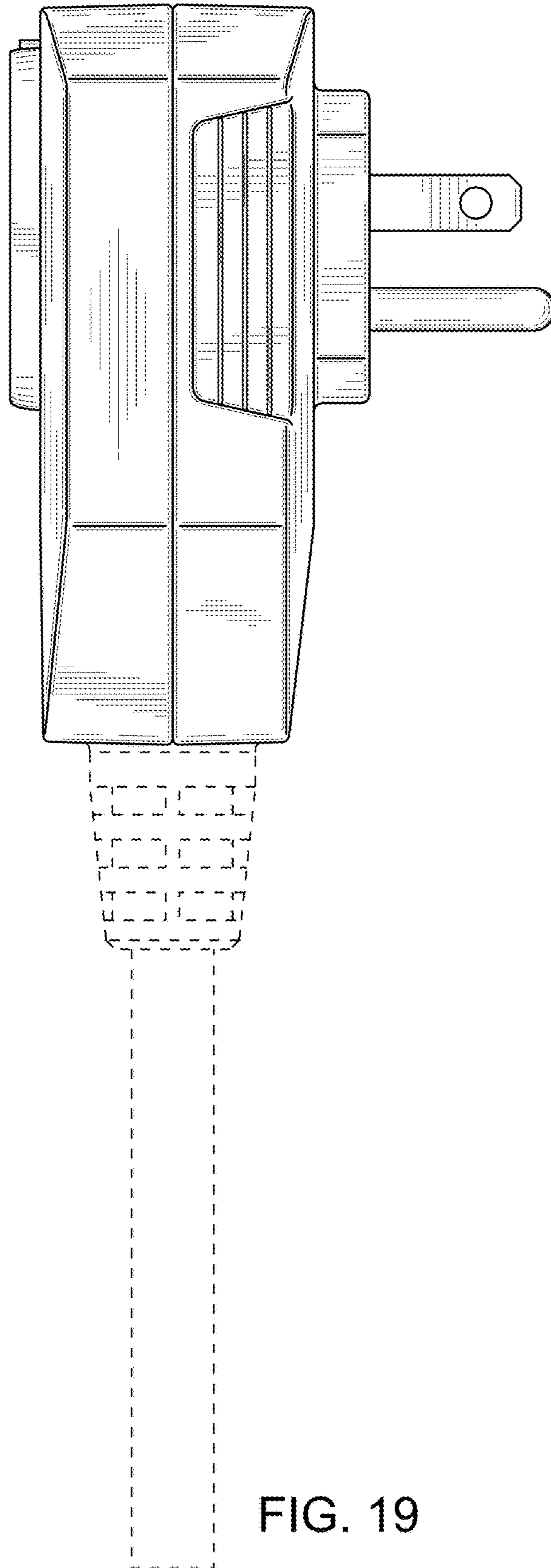


FIG. 19

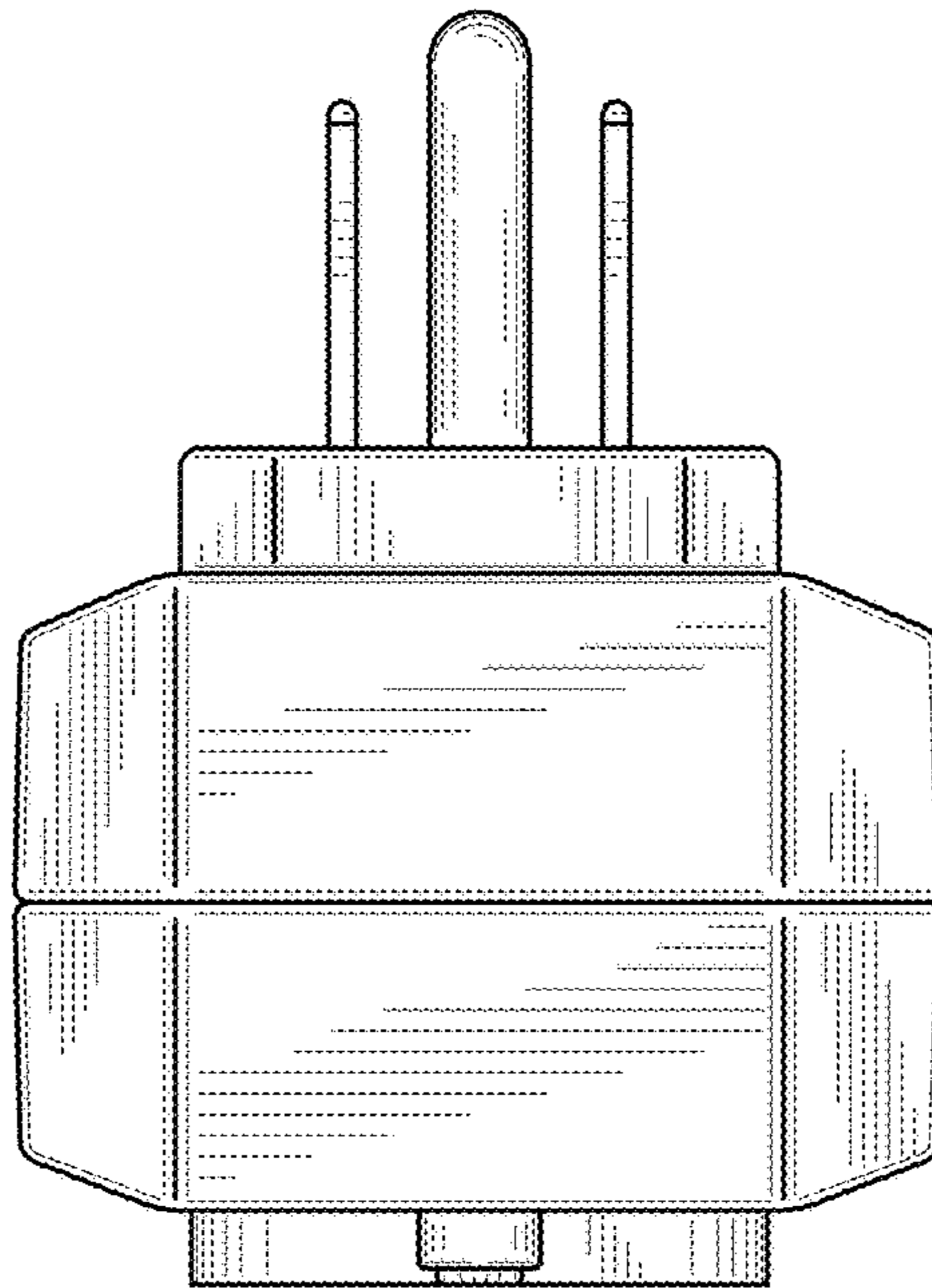


FIG. 20

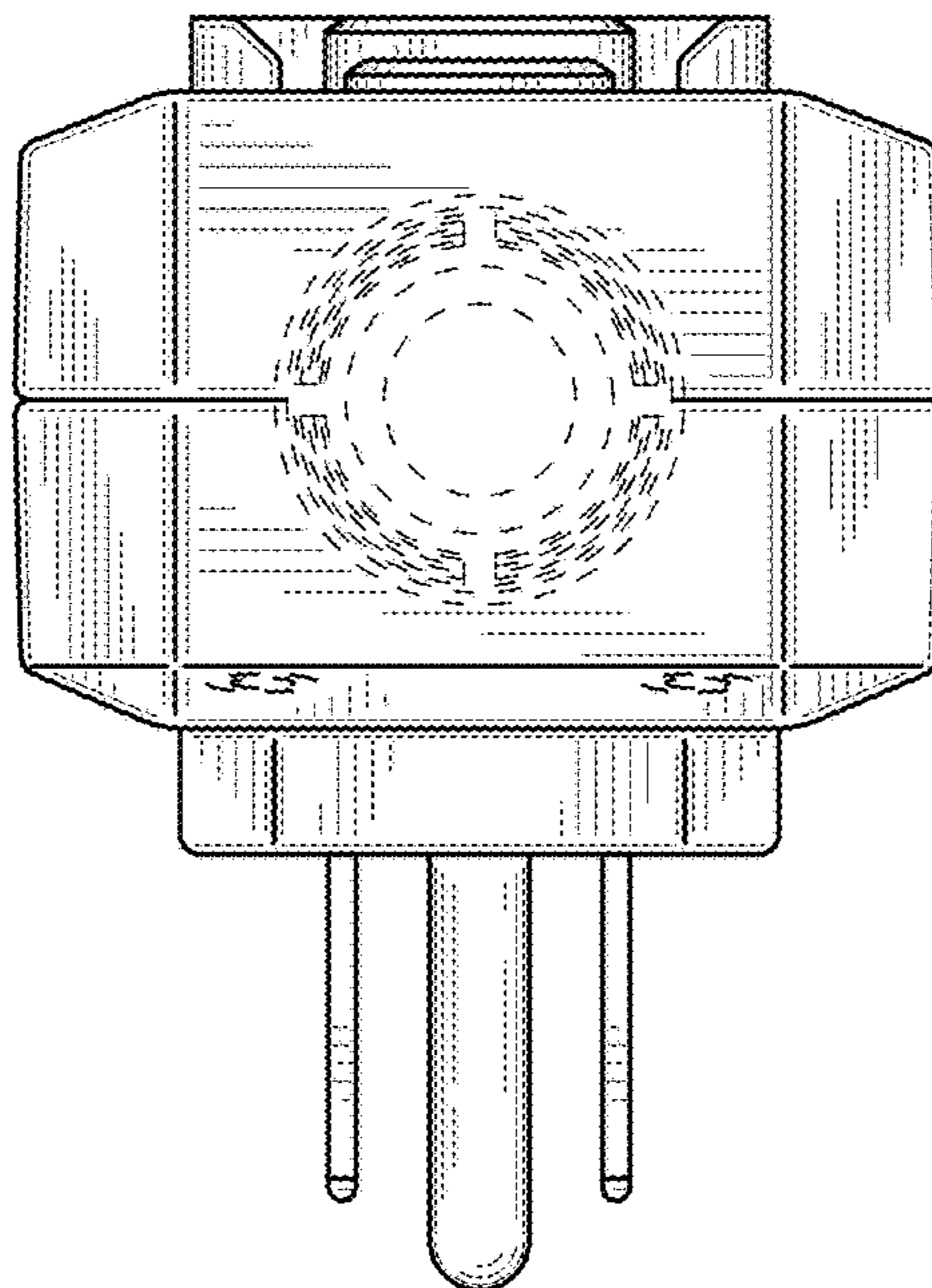


FIG. 21