



US00D821976S

(12) **United States Design Patent**
Chadbourne

(10) **Patent No.:** **US D821,976 S**
(45) **Date of Patent:** **** Jul. 3, 2018**

(54) **ADAPTER FOR CONNECTOR**

(71) Applicant: **Molex, LLC**, Lisle, IL (US)

(72) Inventor: **Richard Chadbourne**, Lisle, IL (US)

(73) Assignee: **Molex, LLC**, Lisle, IL (US)

(**) Term: **15 Years**

(21) Appl. No.: **29/619,662**

(22) Filed: **Sep. 29, 2017**

(51) **LOC (11) Cl.** **13-03**

(52) **U.S. Cl.**
USPC **D13/133**

(58) **Field of Classification Search**

USPC D13/110, 112, 118, 120, 122, 123, 133,
D13/146, 147, 154, 173, 184, 199
CPC . H01H 71/08; H01R 4/30; H01R 9/22; H01R
9/287; H01R 9/30; H01R 12/71; H01R
12/72; H01R 13/40; H01R 13/50; H01R
13/514; H01R 13/641; H01R 13/65;
H01R 13/6593; H01R 13/70; H01R
13/7036; H01R 24/60; H01R 29/00

See application file for complete search history.

(56) **References Cited**

U.S. PATENT DOCUMENTS

1,593,193 A * 7/1926 Ryno H01H 9/287
174/5 R
3,813,636 A * 5/1974 Mason H01R 9/22
439/460
4,580,861 A * 4/1986 Kaley H01R 13/514
439/594
4,597,627 A * 7/1986 Wondra H01R 13/514
439/174
D293,313 S * 12/1987 Justiano D13/133
D439,885 S * 4/2001 Ushio D13/147

D447,122 S * 8/2001 Harasawa D13/147
6,364,694 B1 * 4/2002 Lien H01R 13/641
439/188
D504,401 S * 4/2005 Wang D13/147

(Continued)

OTHER PUBLICATIONS

Micronwings.com Molex 1.25mm 3P, dated Jan. 10, 2016, [online],
[site visited Apr. 24, 2018]. Available from Internet, <URL: https://
www.micronwings.com/HintsAndTips/RCConnectoTypes/
Molex3P/index.shtml> (Year: 2016).*

Primary Examiner — Thomas J Johannes

Assistant Examiner — Shawn T Gingrich

(74) *Attorney, Agent, or Firm* — Banner & Witcoff, Ltd.

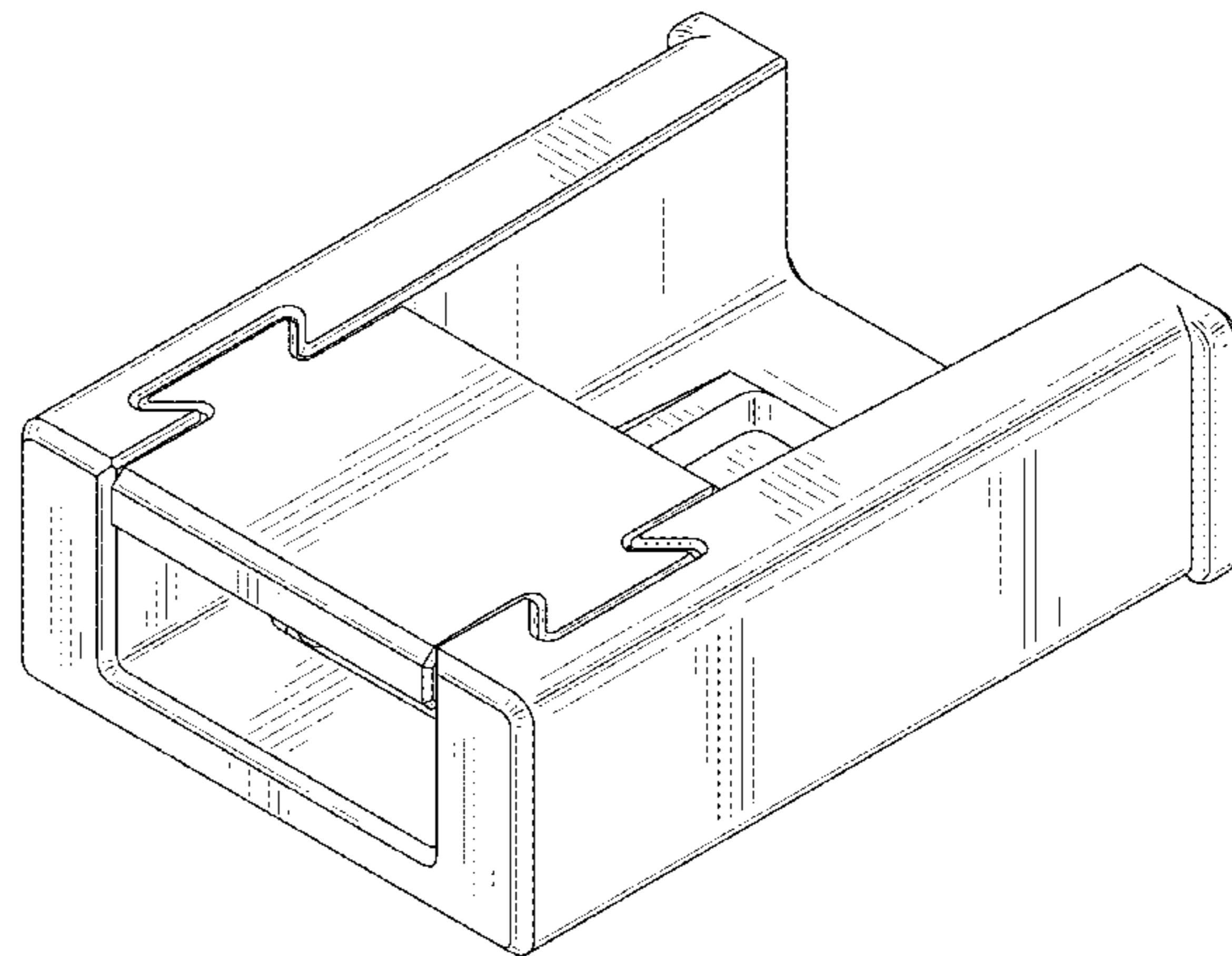
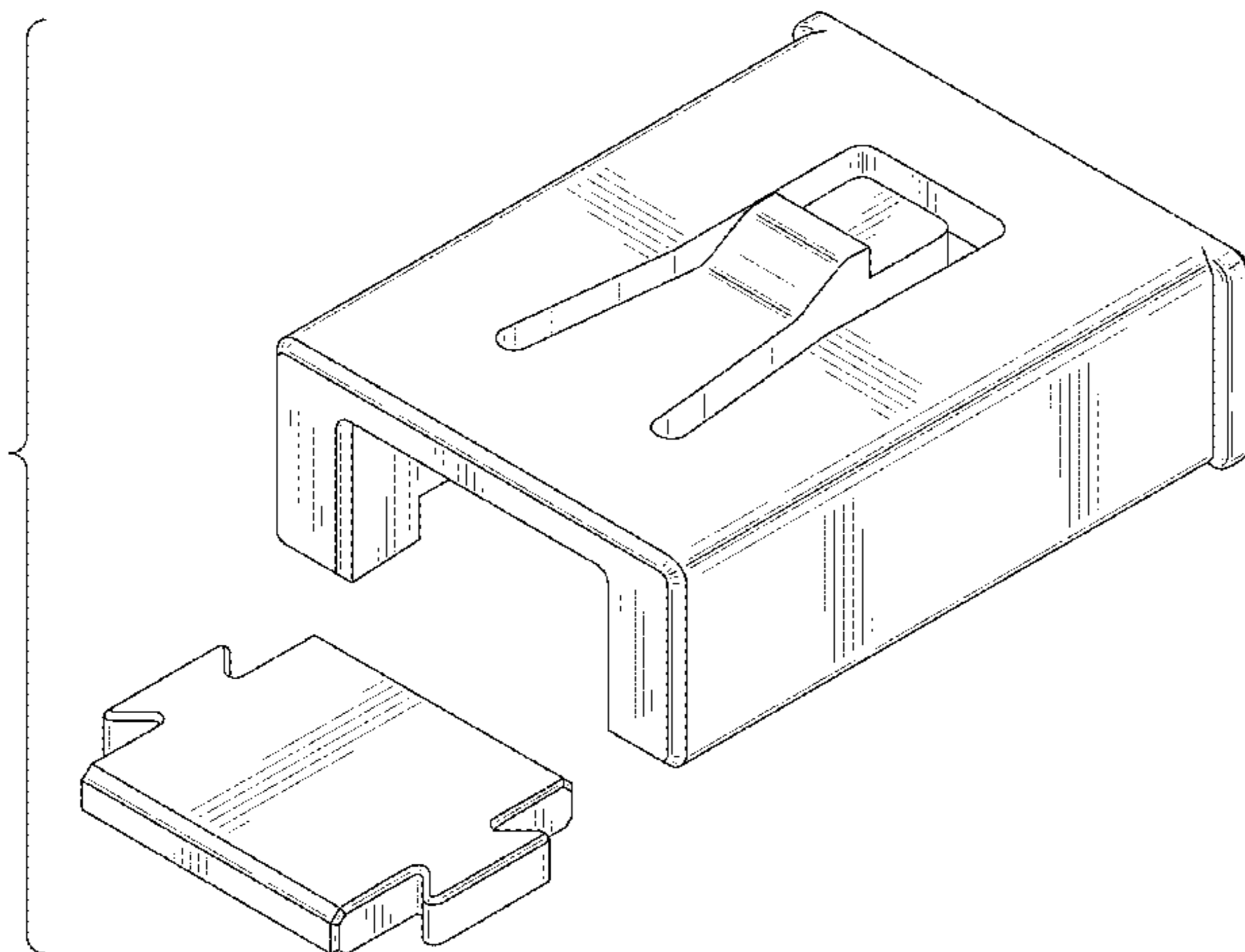
(57) **CLAIM**

The ornamental design for an adapter for connector, as shown and described.

DESCRIPTION

FIG. 1 is a front-top-right perspective view of an adapter for connector showing my new design in an unconfigured state; FIG. 2 is a front view thereof; FIG. 3 is a right side view thereof; FIG. 4 is a left side view thereof; FIG. 5 is a top view thereof; FIG. 6 is a bottom view thereof; FIG. 7 is a front-bottom-left perspective view thereof; FIG. 8 is a front-bottom-right perspective view thereof; FIG. 9 is a rear view thereof; FIG. 10 is a front-top-right perspective view of the adapter for connector of FIGS. 1-8 shown in a configured state; FIG. 11 is a front view thereof; FIG. 12 is a right side view thereof; FIG. 13 is a left side view thereof; FIG. 14 is a top view thereof; FIG. 15 is a bottom view thereof; FIG. 16 is a front-bottom-left perspective view thereof; and, FIG. 17 is a rear view thereof.

1 Claim, 17 Drawing Sheets



(56)

References Cited

U.S. PATENT DOCUMENTS

7,037,141 B1 * 5/2006 Huang H01R 13/641
439/676
D651,176 S * 12/2011 Kobayashi D13/147
D655,678 S * 3/2012 Kobayashi D13/147
2012/0045943 A1 * 2/2012 Huber H01R 13/6593
439/660

* cited by examiner

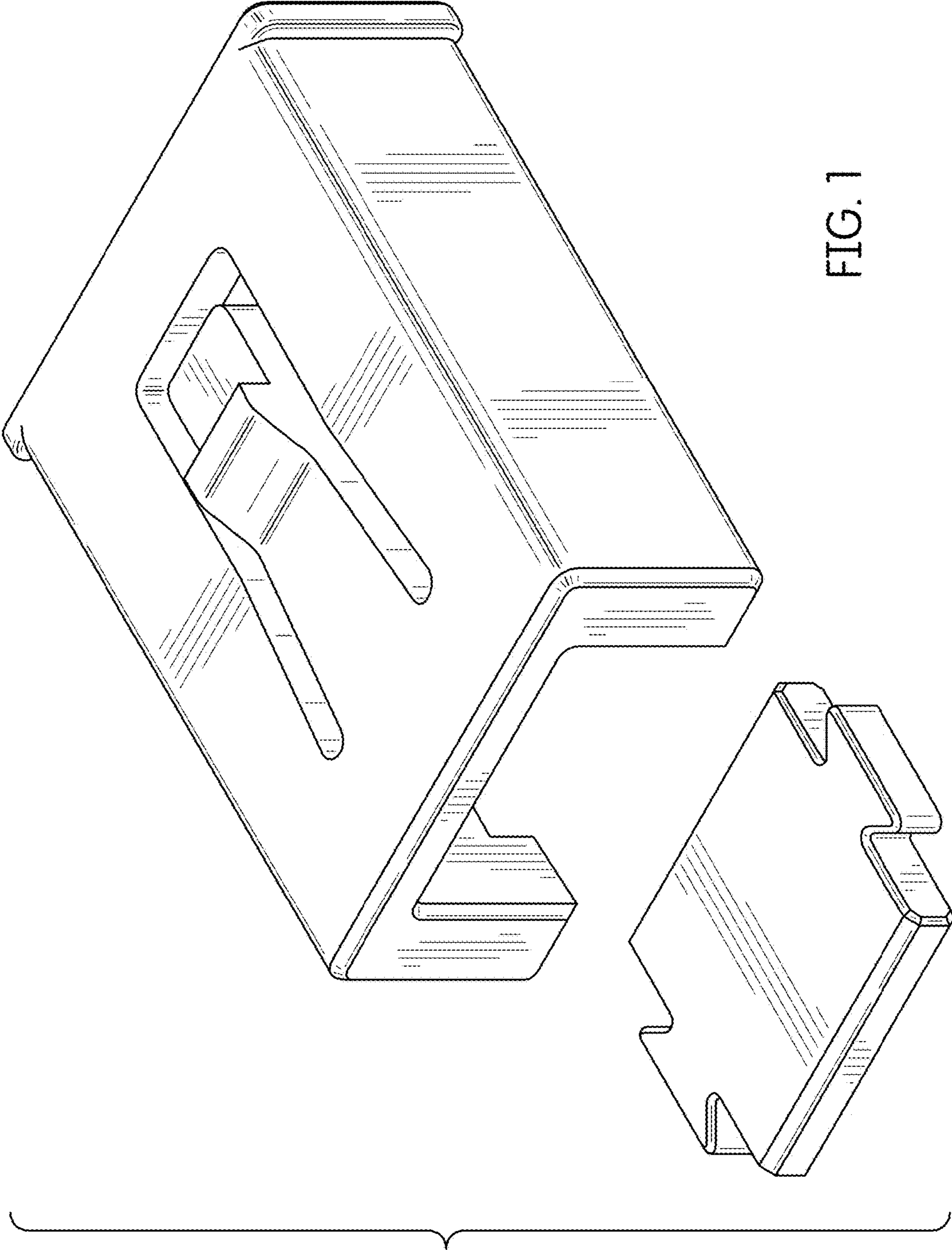


FIG. 1

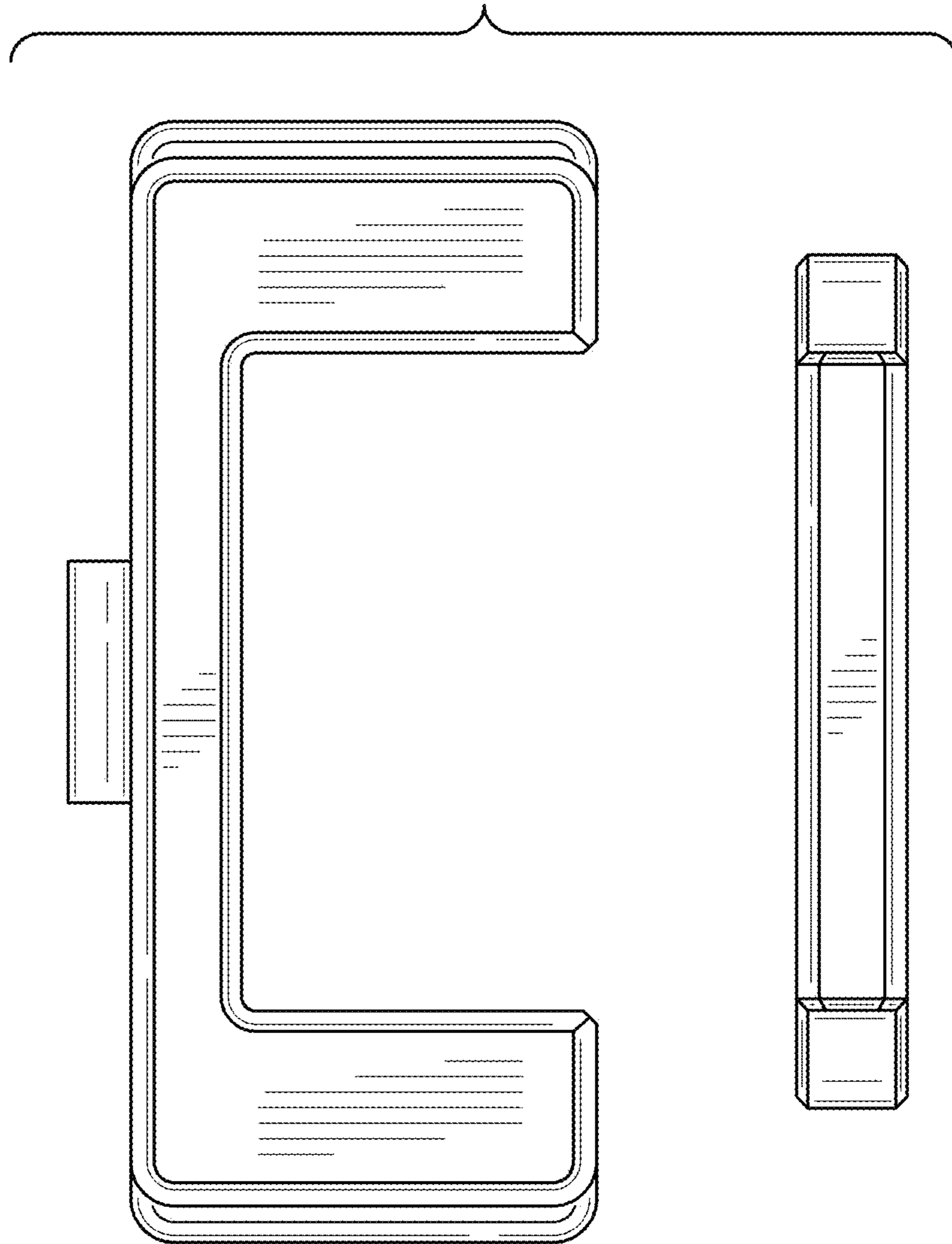


FIG. 2

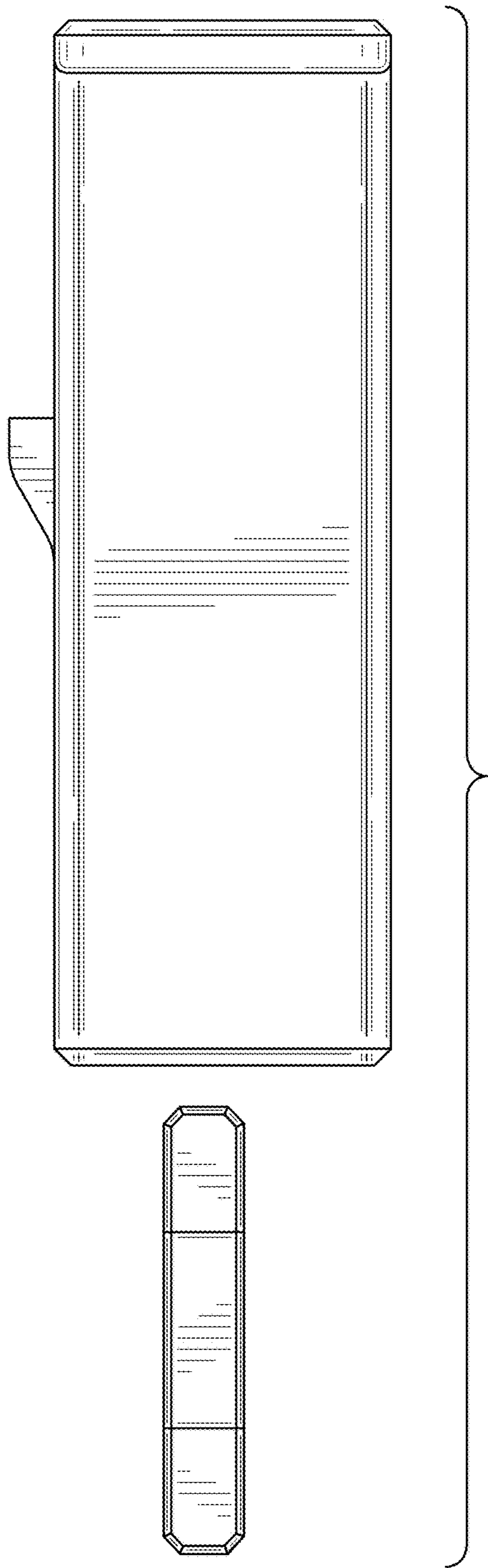


FIG. 3

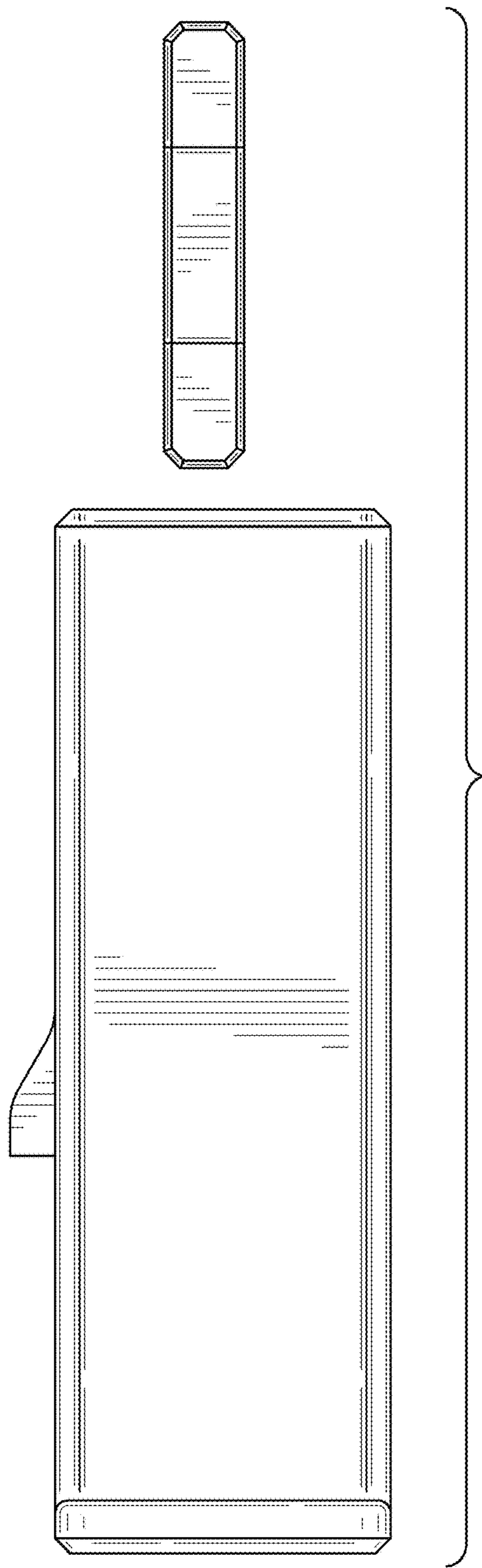


FIG. 4

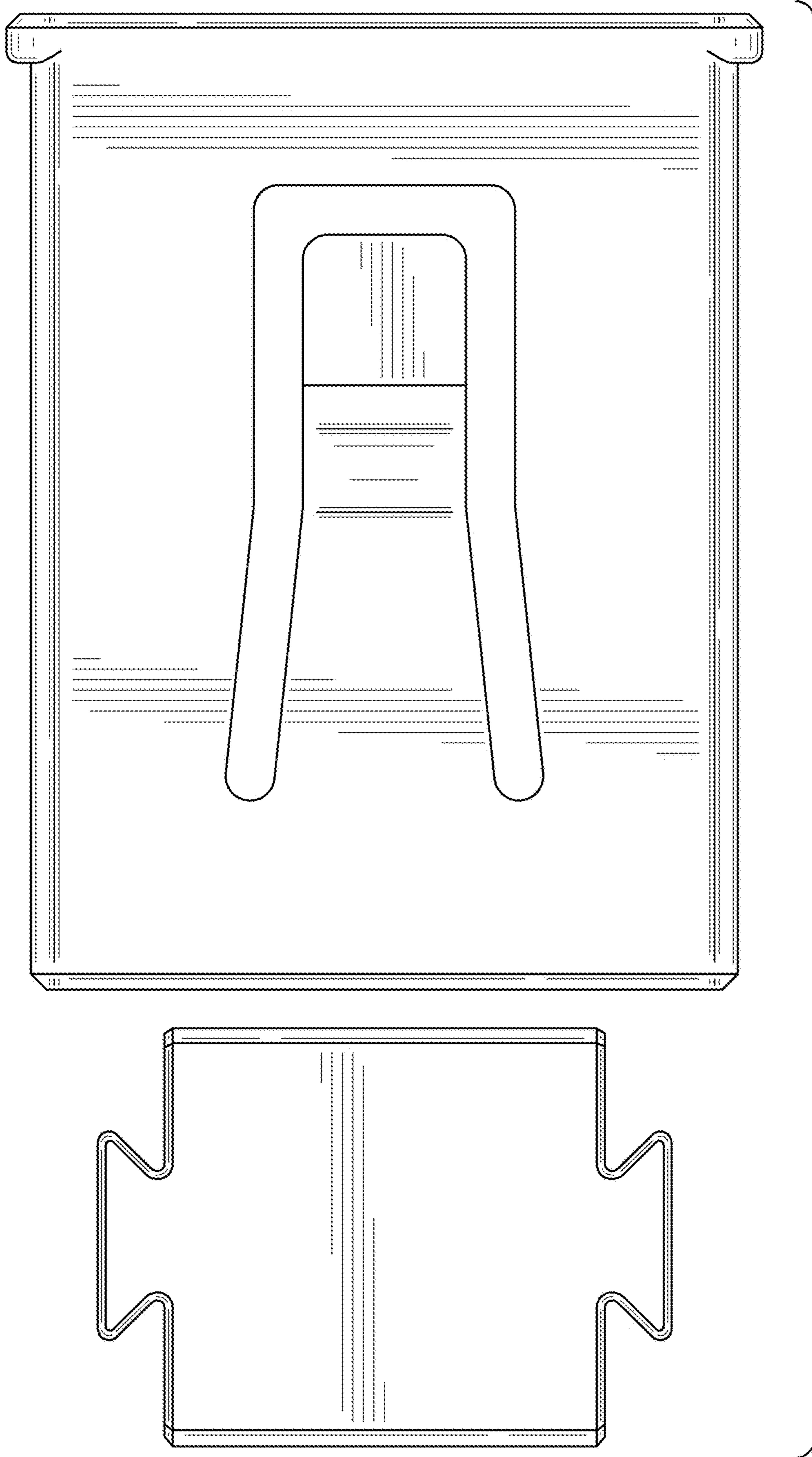


FIG. 5

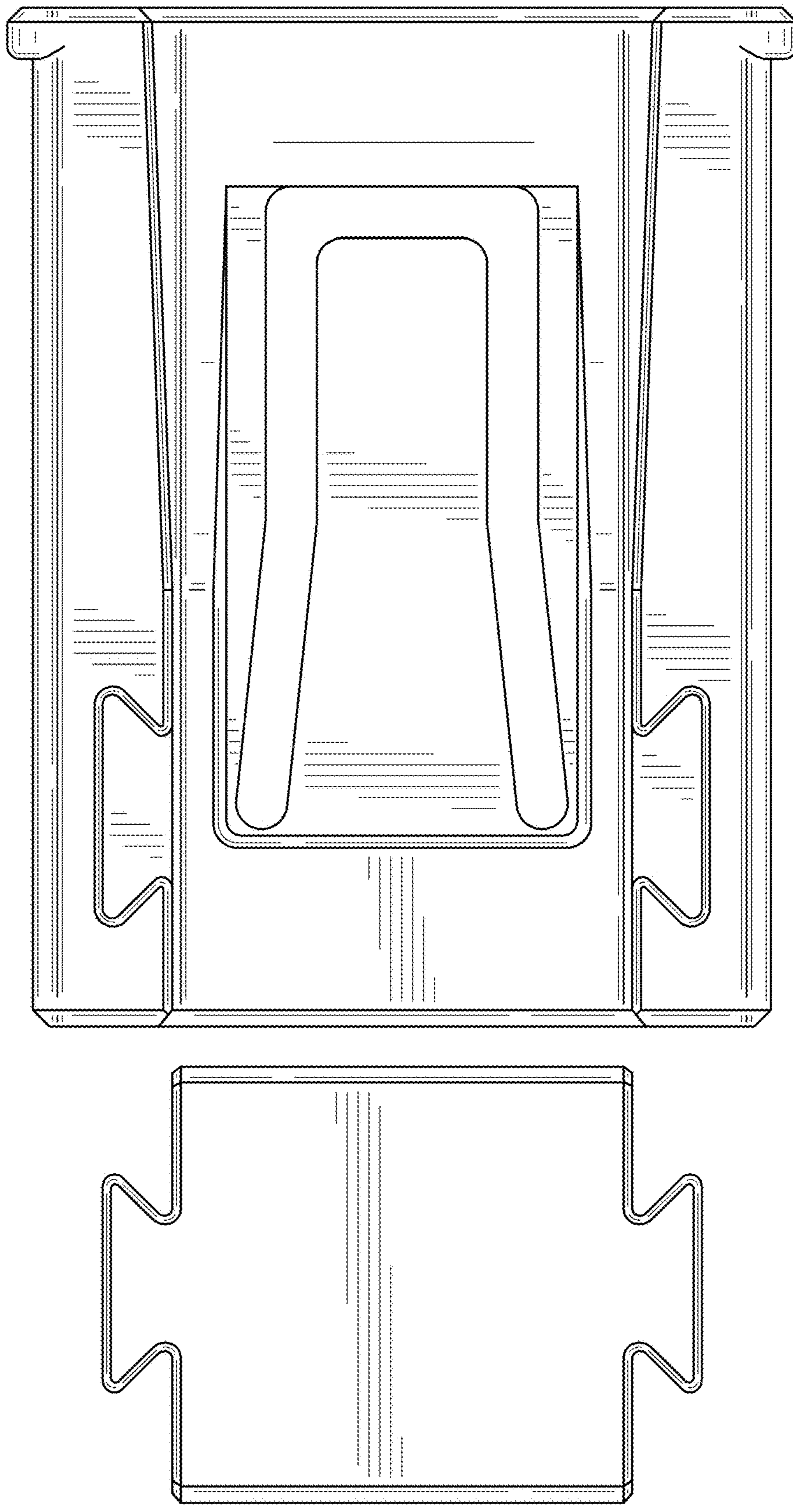
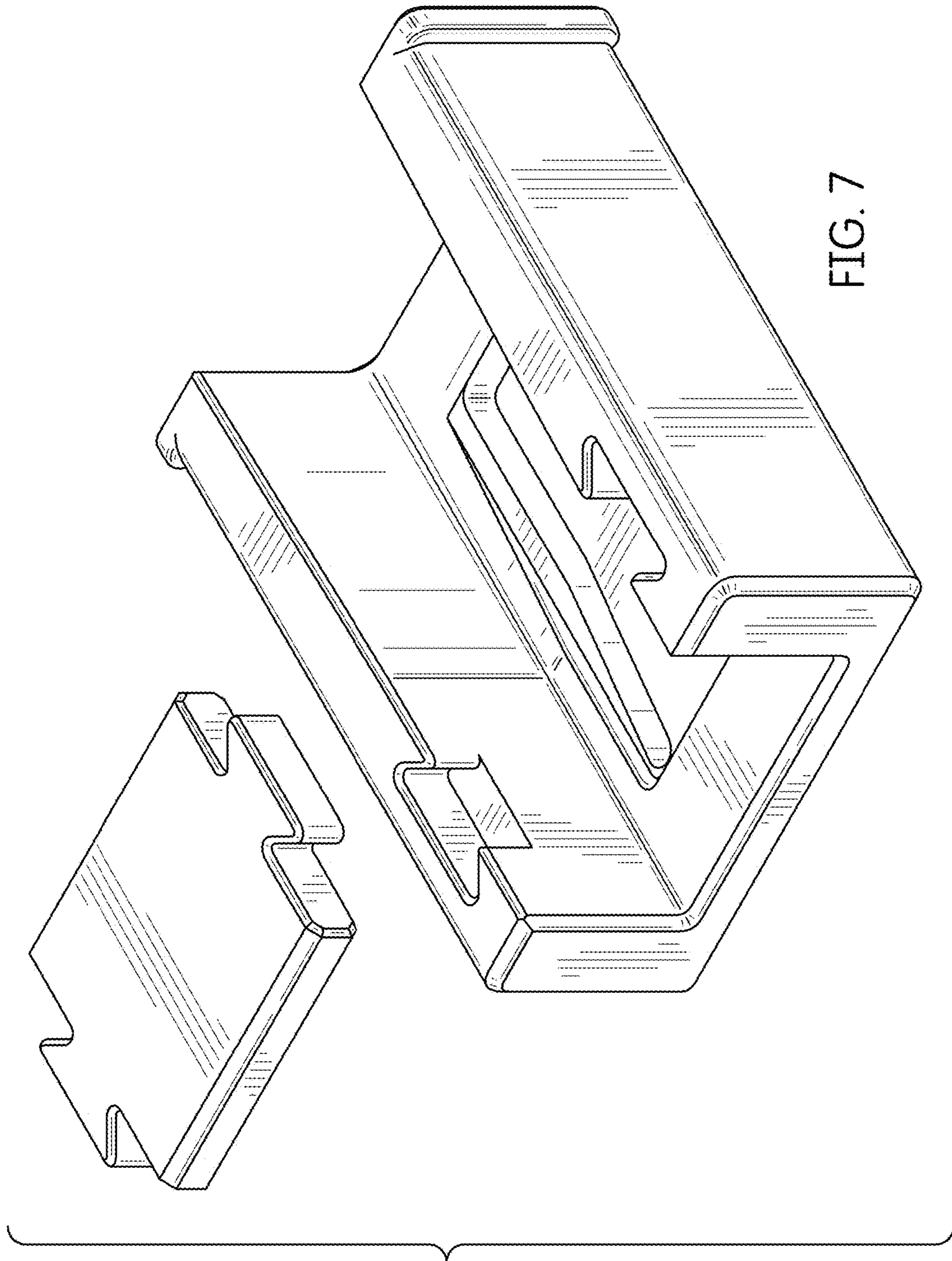


FIG. 6



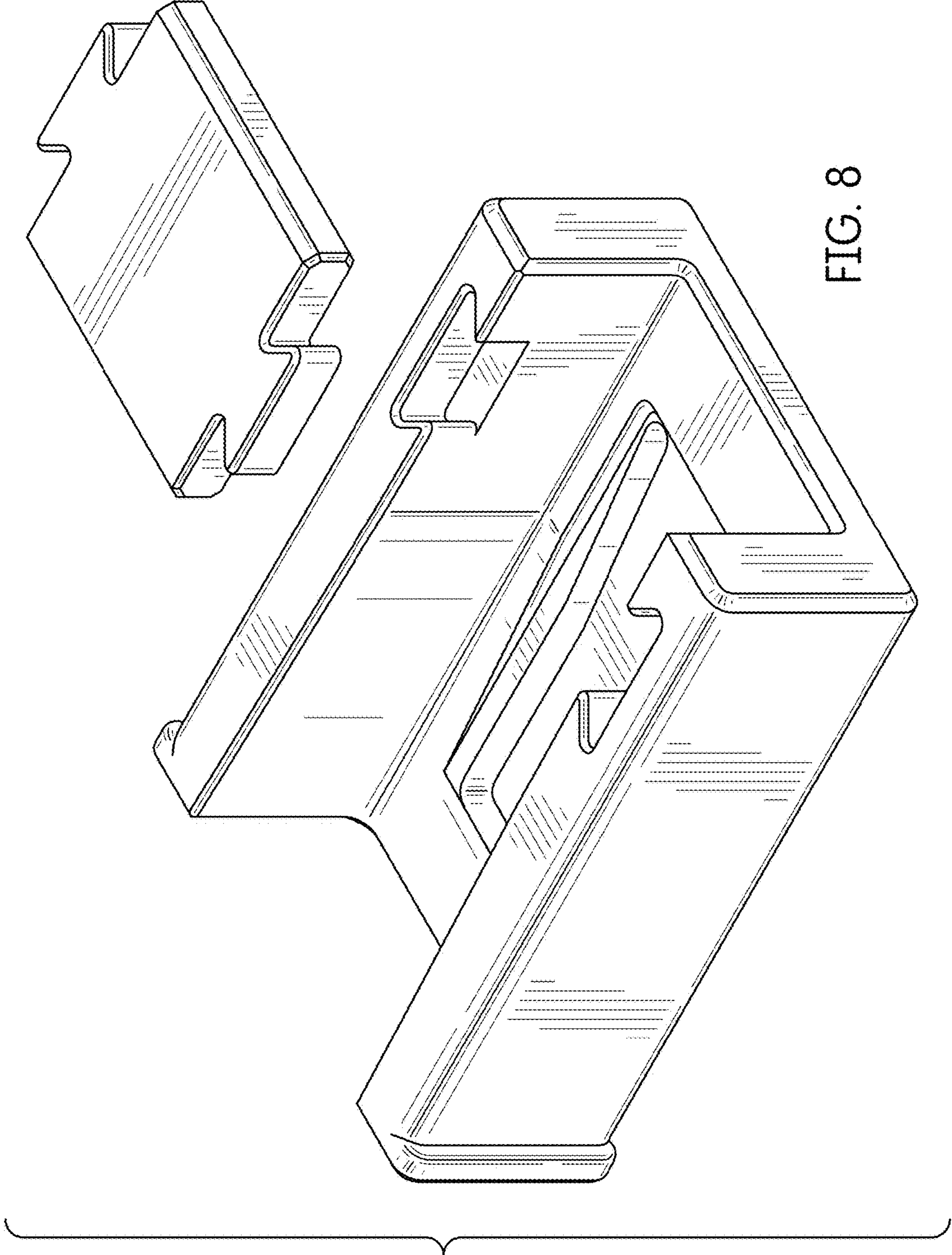


FIG. 8

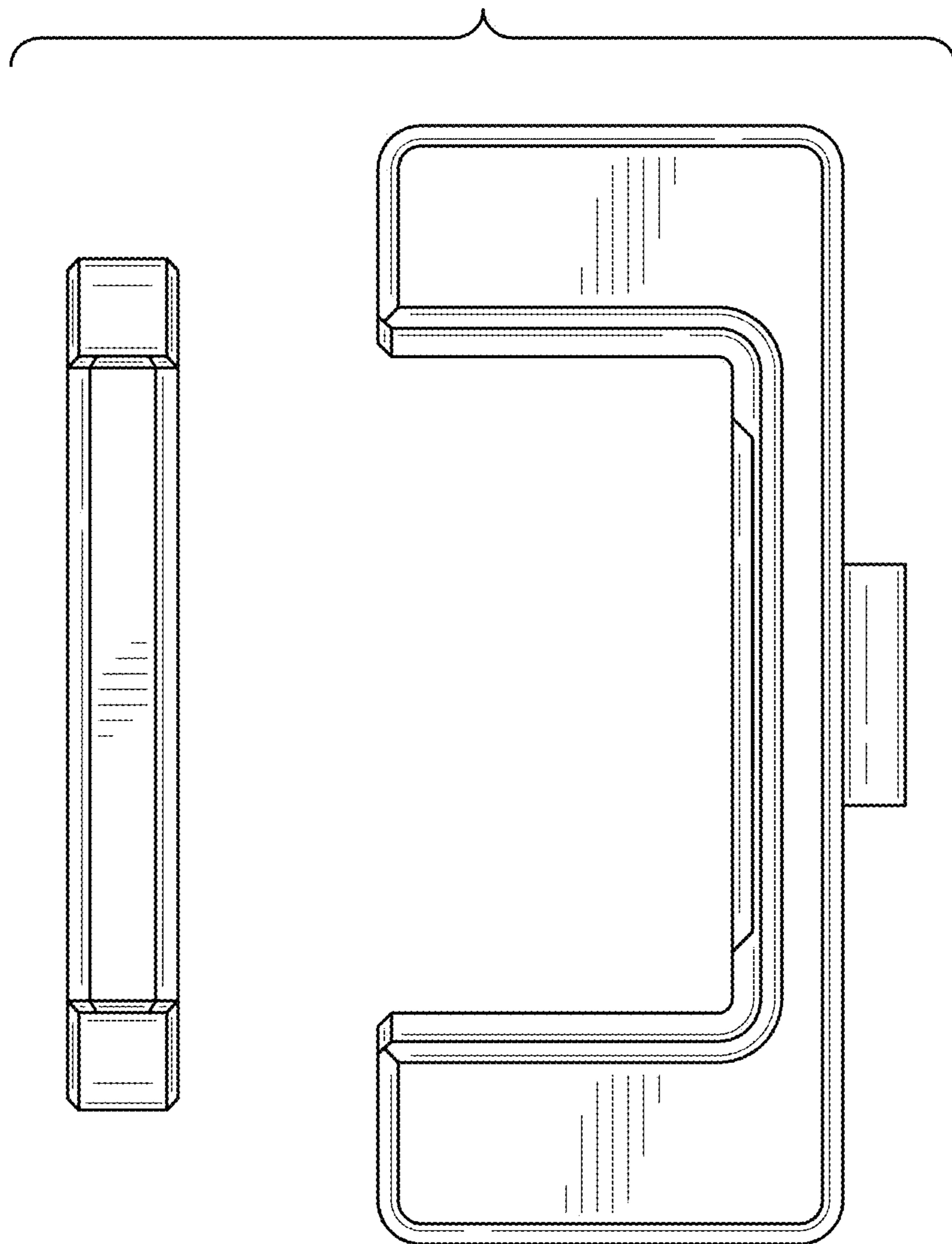


FIG. 9

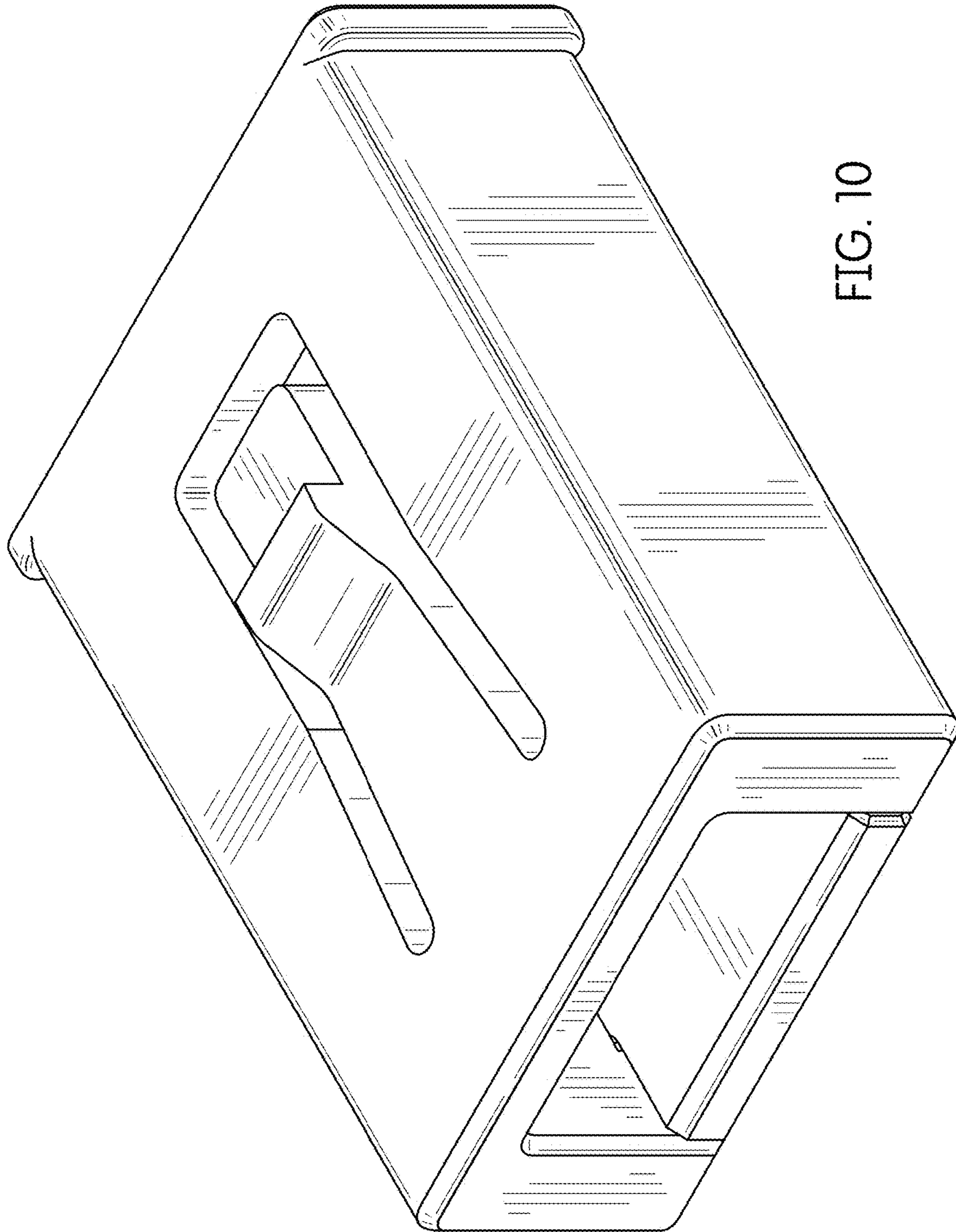


FIG. 10

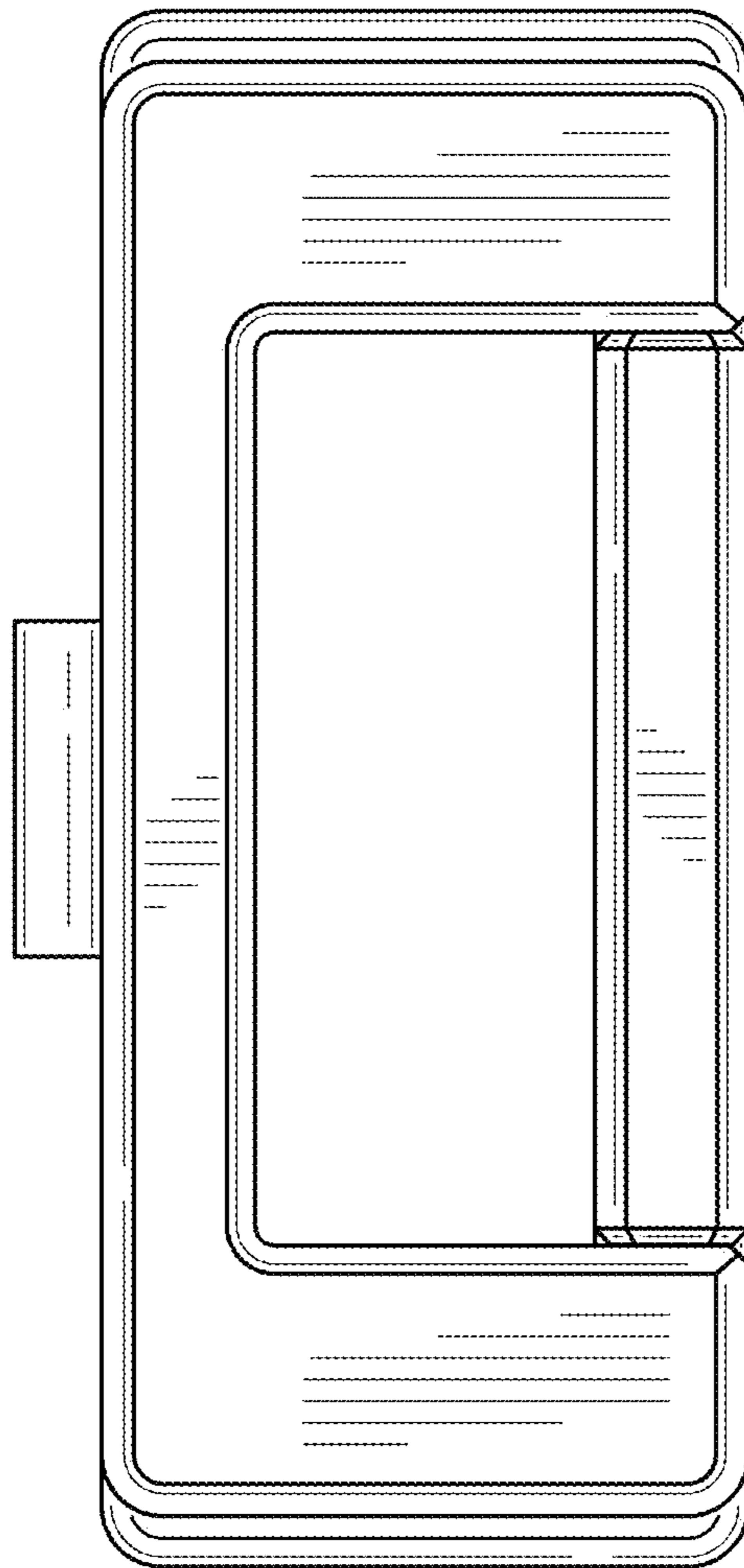


FIG. 11

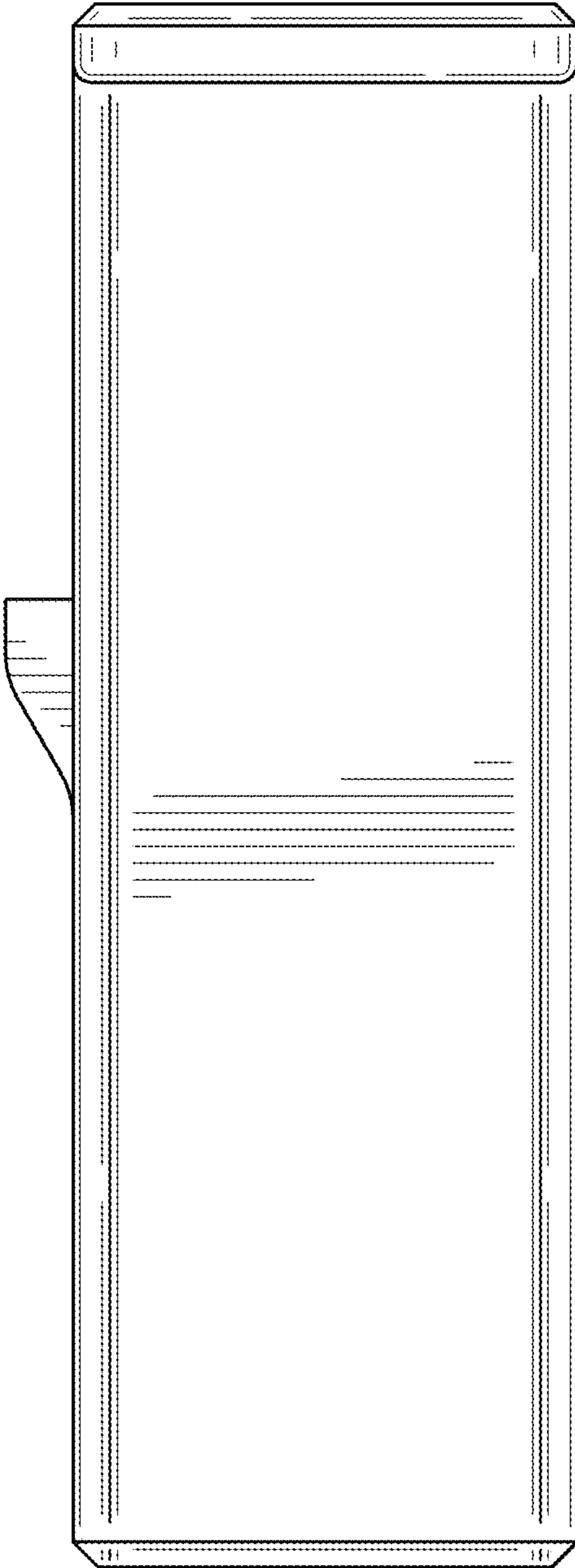


FIG. 12

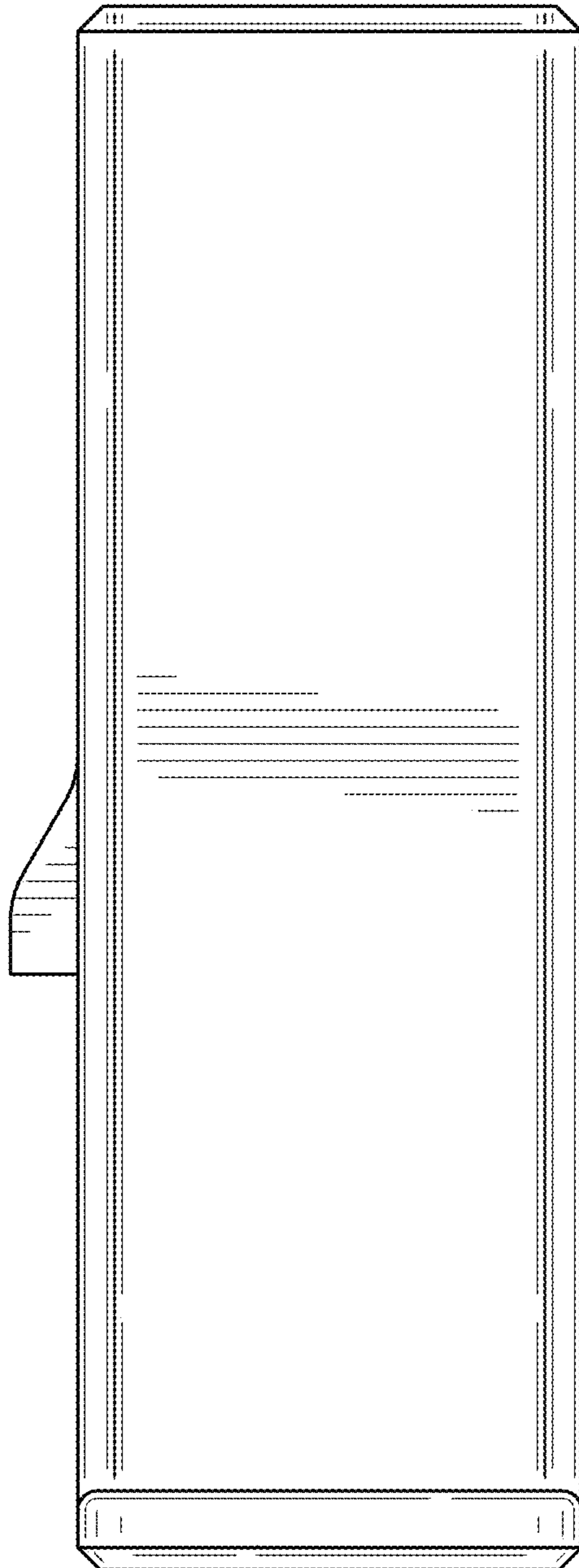


FIG. 13

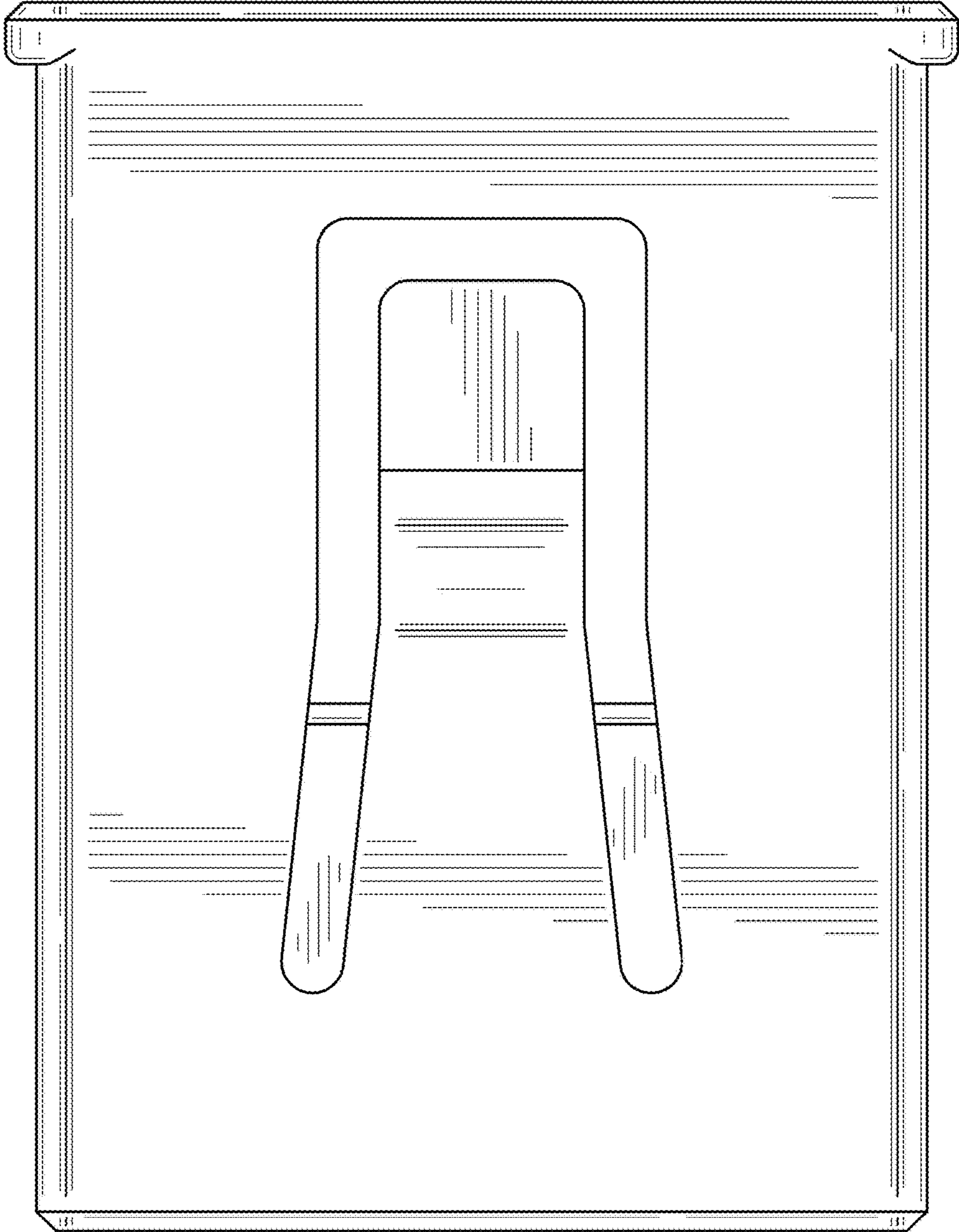


FIG. 14

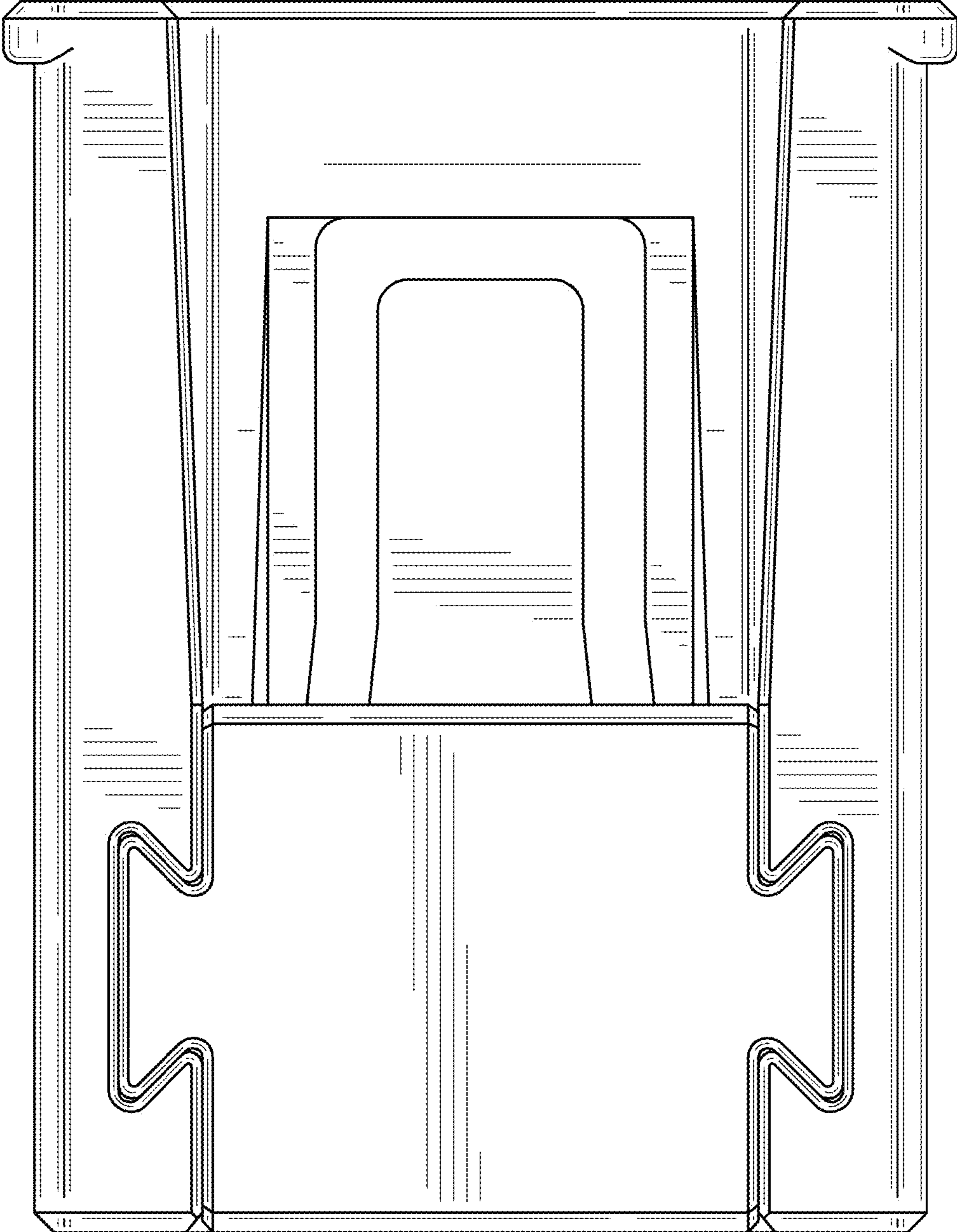


FIG. 15

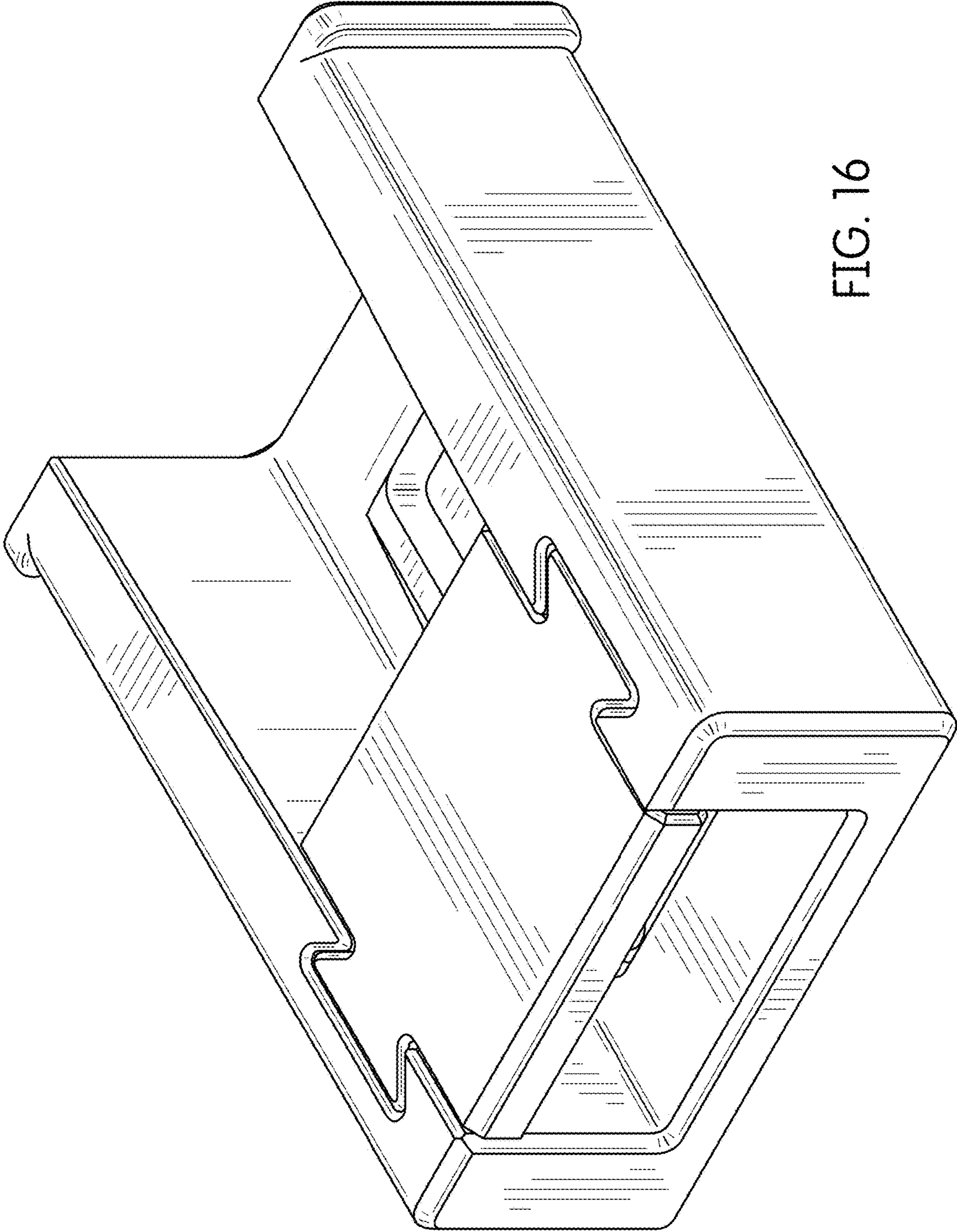


FIG. 16

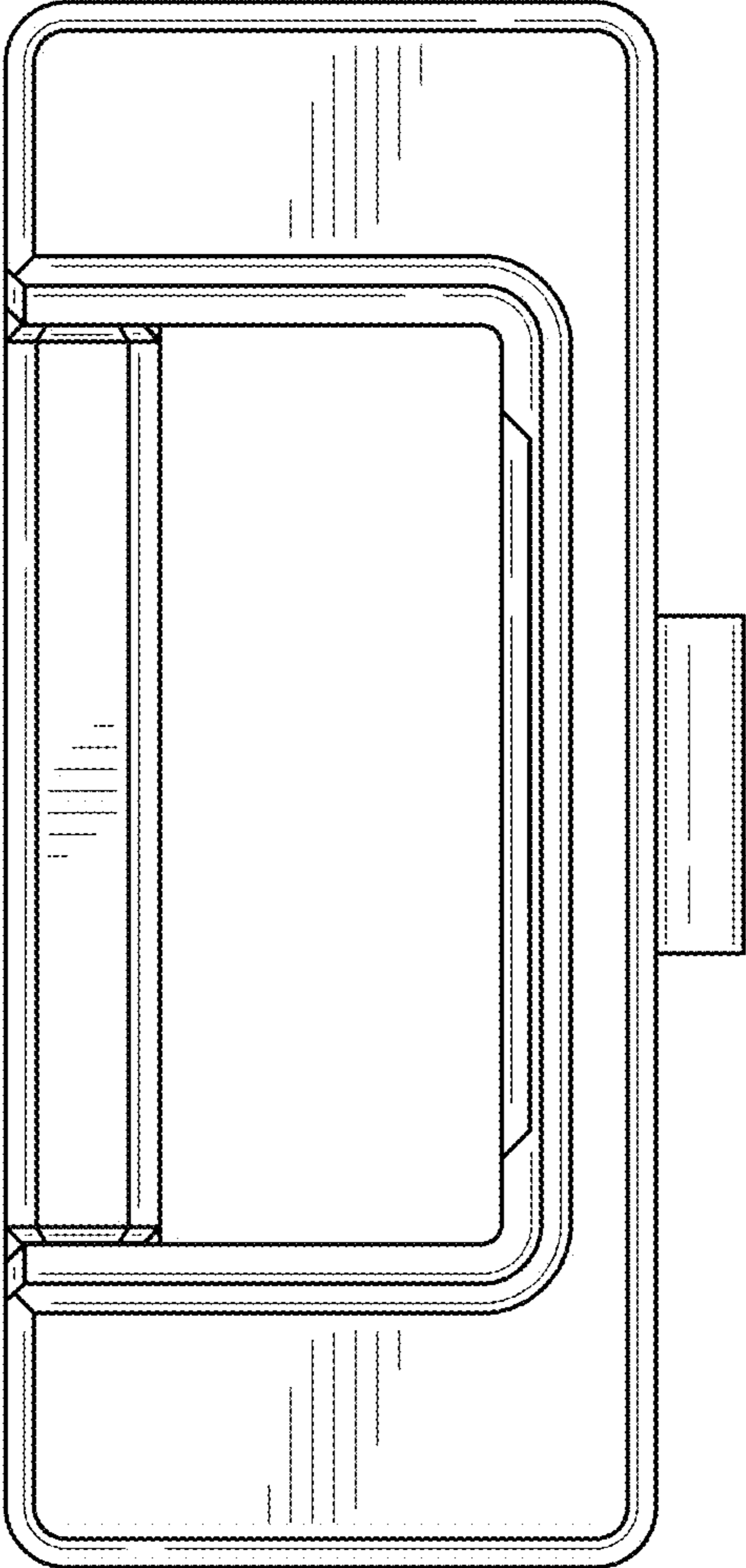


FIG. 17