



US00D821975S

(12) **United States Design Patent**
Chadbourne

(10) **Patent No.:** **US D821,975 S**
(45) **Date of Patent:** **** Jul. 3, 2018**

(54) **ADAPTER FOR CONNECTOR**

- (71) Applicant: **Molex, LLC**, Lisle, IL (US)
- (72) Inventor: **Richard Chadbourne**, Lisle, IL (US)
- (73) Assignee: **Molex, LLC**, Lisle, IL (US)
- (**) Term: **15 Years**

(21) Appl. No.: **29/619,654**

(22) Filed: **Sep. 29, 2017**

(51) **LOC (11) Cl.** **13-03**

(52) **U.S. Cl.**
USPC **D13/133**

(58) **Field of Classification Search**

USPC D13/110, 112, 118, 120, 122, 123, 133,
D13/146, 147, 154, 173, 184, 199
CPC . H01H 71/08; H01R 4/30; H01R 9/22; H01R
9/287; H01R 9/30; H01R 12/71; H01R
12/72; H01R 13/40; H01R 13/50; H01R
13/514; H01R 13/641; H01R 13/65;
H01R 13/6593; H01R 13/70; H01R
13/7036; H01R 24/60; H01R 29/00

See application file for complete search history.

(56) **References Cited**

U.S. PATENT DOCUMENTS

1,593,193	A *	7/1926	Ryno	H01H 9/287 174/5 R
3,813,636	A *	5/1974	Mason	H01R 9/22 439/460
4,580,861	A *	4/1986	Kaley	H01R 13/514 439/594
4,597,627	A *	7/1986	Wondra	H01R 13/514 439/174
D293,313	S *	12/1987	Justiano	D13/133
D437,828	S *	2/2001	Corona	D13/146
D439,885	S *	4/2001	Ushio	D13/147
D504,401	S *	4/2005	Wang	D13/147
7,037,141	B1 *	5/2006	Huang	H01R 13/641 439/676
D651,176	S *	12/2011	Kobayashi	D13/147
D655,678	S *	3/2012	Kobayashi	D13/147
2012/0045943	A1 *	2/2012	Huber	H01R 13/6593 439/660

OTHER PUBLICATIONS

Micronwings.com Molex 1.25mm 3P, dated Jan. 10, 2016, [online], [site visited Apr. 24, 2018]. Available from Internet, <URL: https://www.micronwings.com/HintsAndTips/RCConnectoTypes/Molex3P/index.shtml> (Year: 2016).*

* cited by examiner

Primary Examiner — Thomas J Johannes

Assistant Examiner — Shawn T Gingrich

(74) *Attorney, Agent, or Firm* — Banner & Witcoff, Ltd.

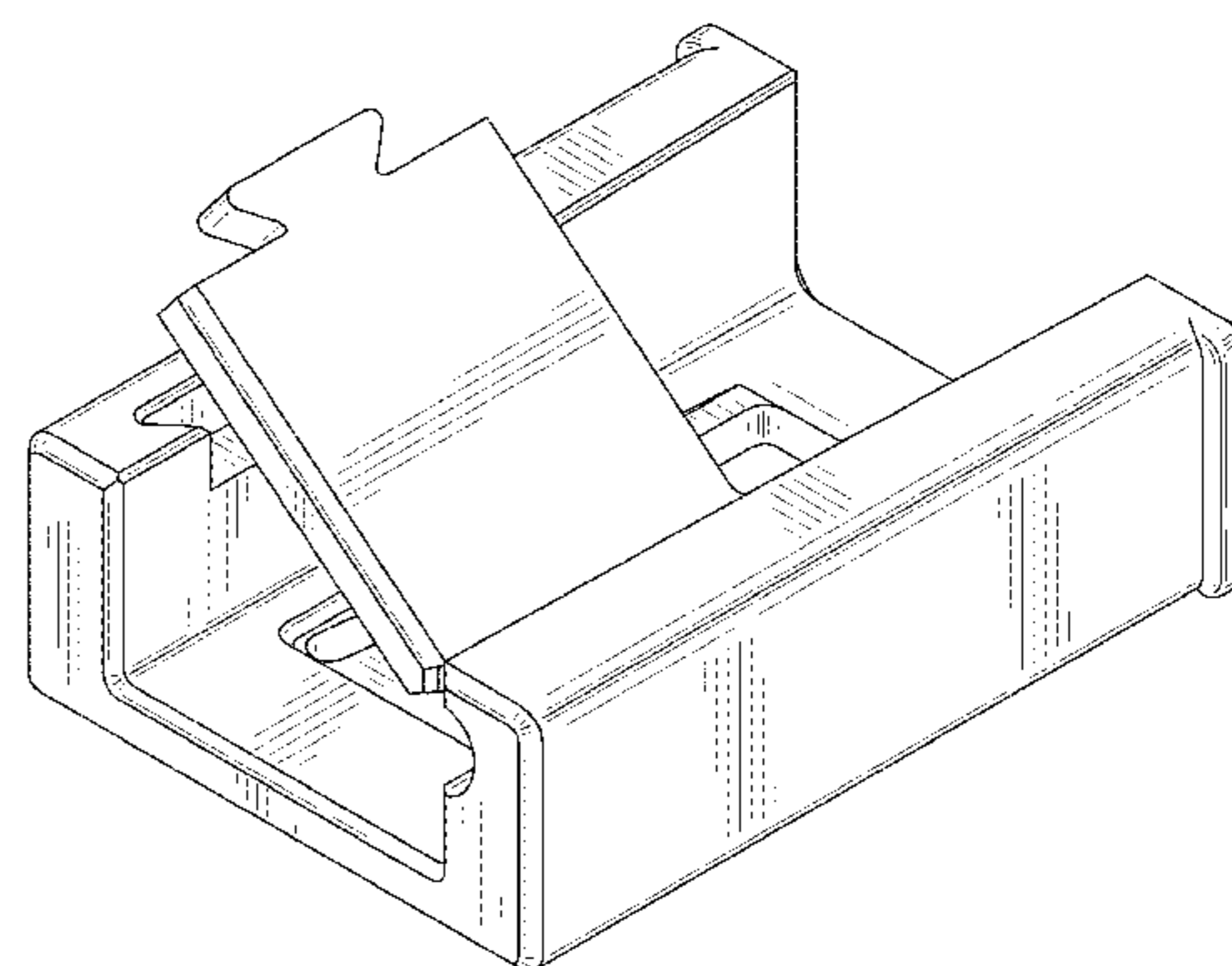
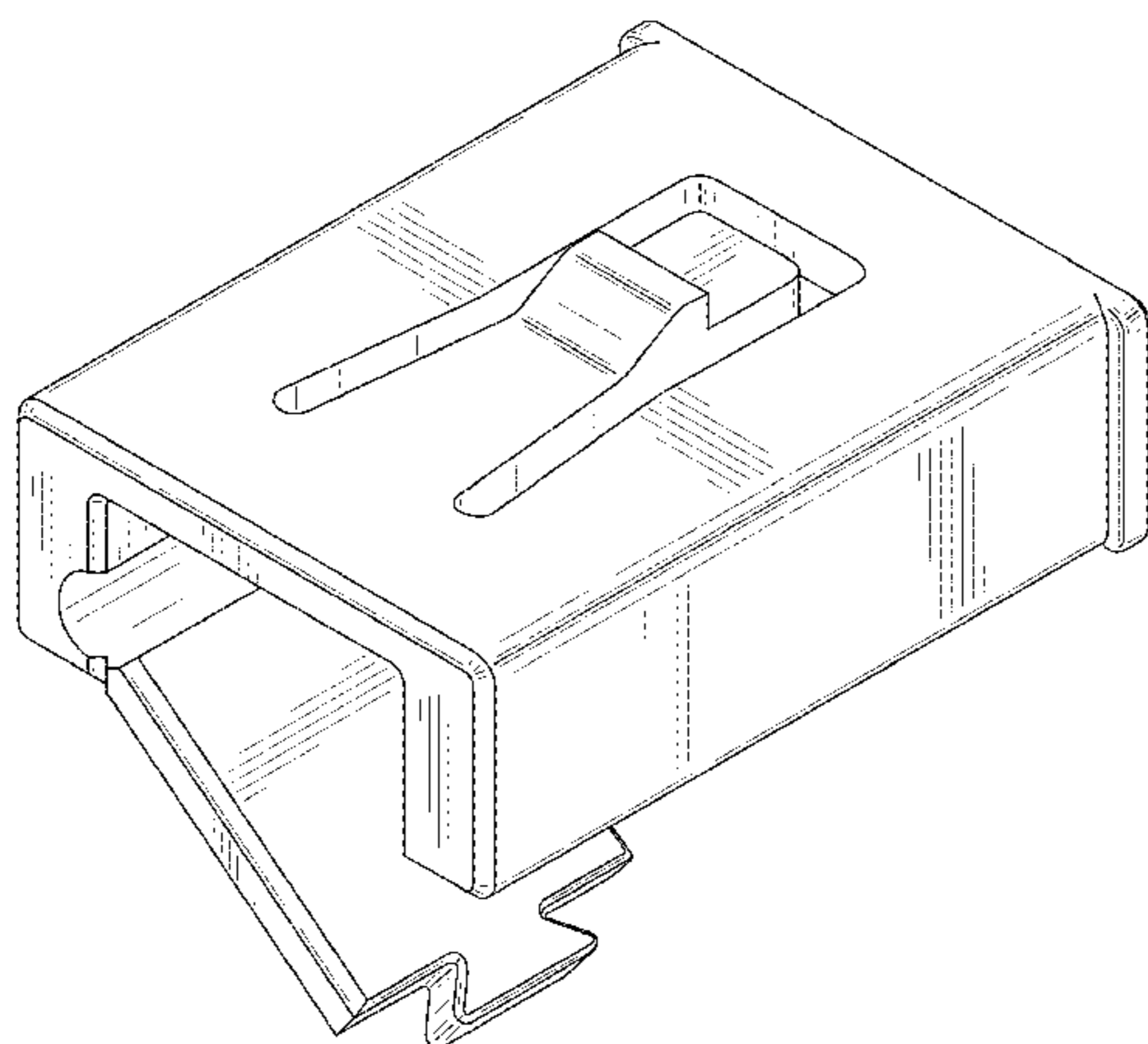
(57) **CLAIM**

The ornamental design for an adapter for connector, as shown and described.

DESCRIPTION

FIG. 1 is a front-top-right perspective view of an adapter for connector showing my new design;
 FIG. 2 is a front view thereof, with cross-section labeling indicating cross-sectional views for FIGS. 9-12 as noted below;
 FIG. 3 is a right side view thereof;
 FIG. 4 is a left side view thereof;
 FIG. 5 is a top view thereof;
 FIG. 6 is a bottom view thereof;
 FIG. 7 is a front-bottom-left perspective view thereof;
 FIG. 8 is a rear view thereof;
 FIG. 9 is a cross-section taken through line 9-9 of FIG. 2;
 FIG. 10 is a cross-section taken through line 10-10 of FIG. 2;
 FIG. 11 is a cross-section taken through line 11-11 of FIG. 2 with the hinged feature removed; and,
 FIG. 12 is a cross-section taken through line 12-12 of FIG. 2 with the hinged feature removed.

1 Claim, 12 Drawing Sheets



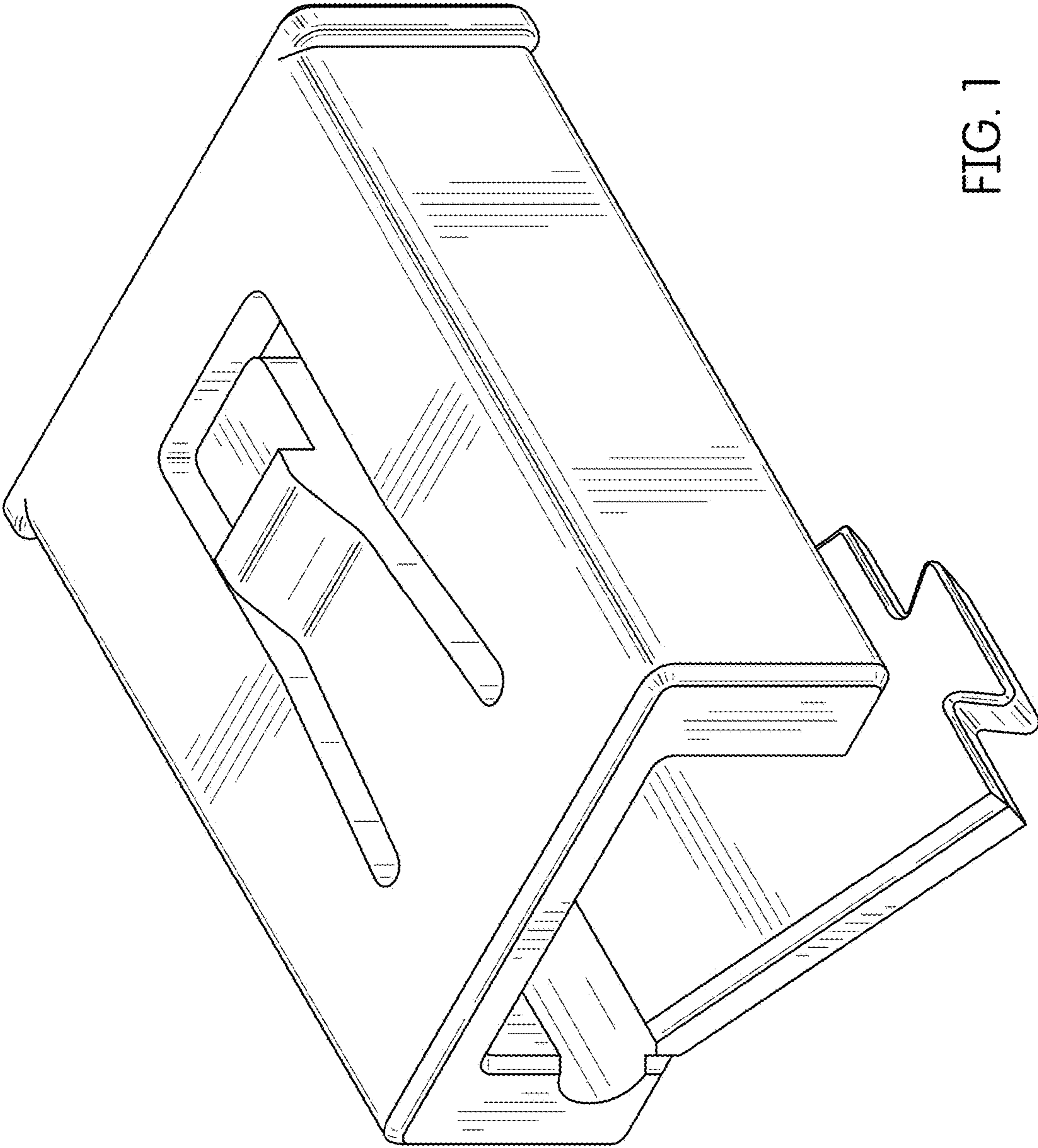


FIG. 1

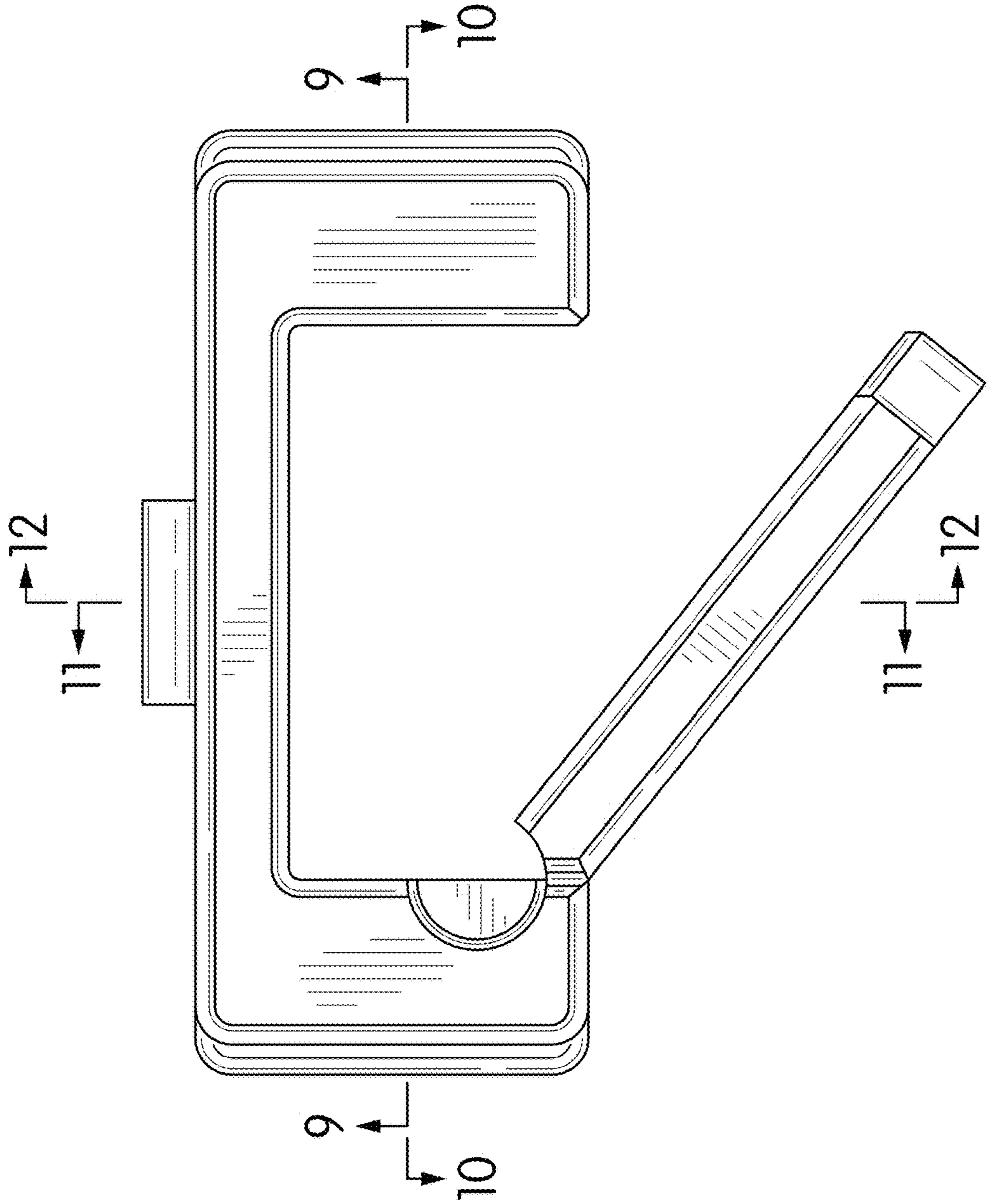


FIG. 2

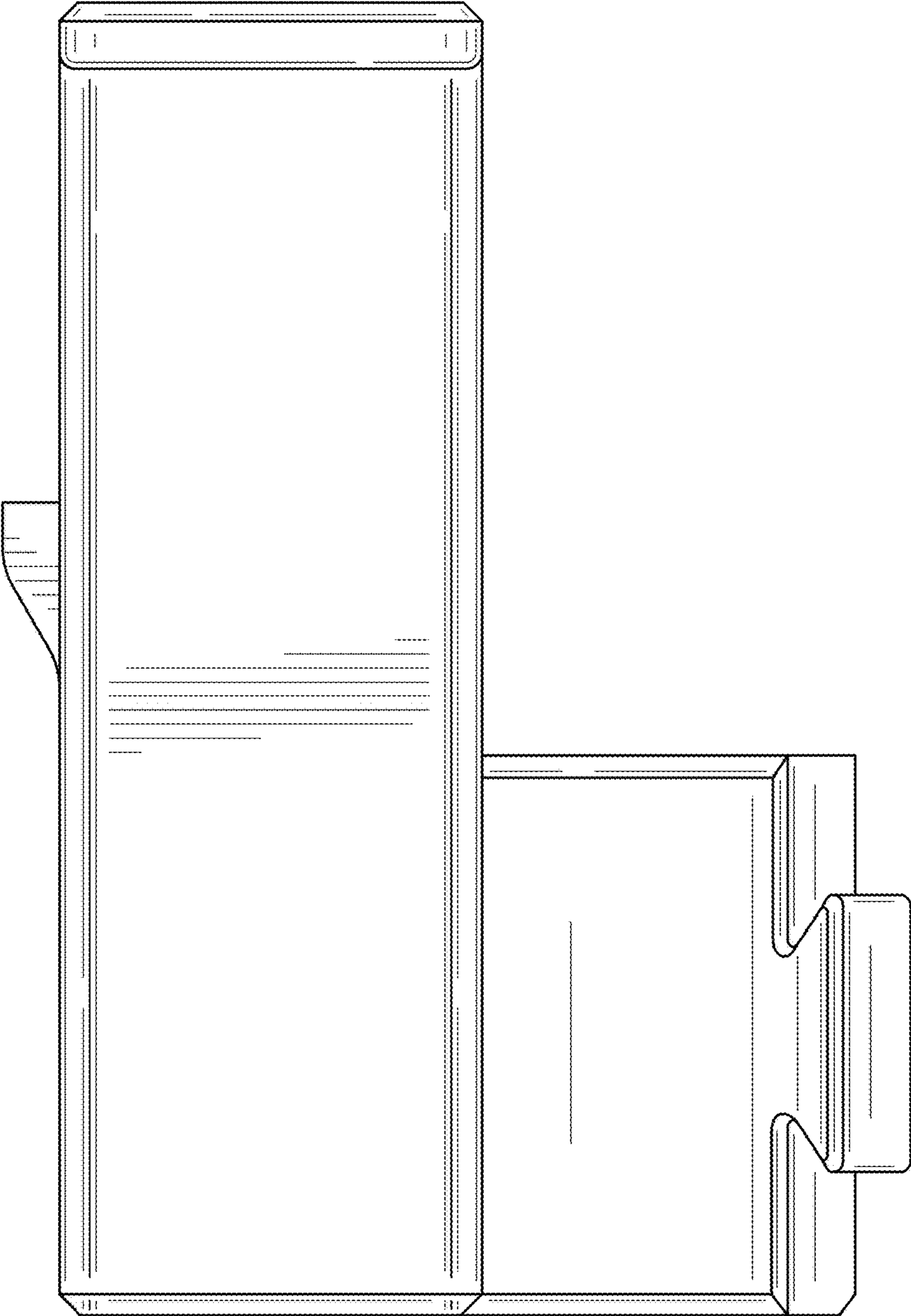


FIG. 3

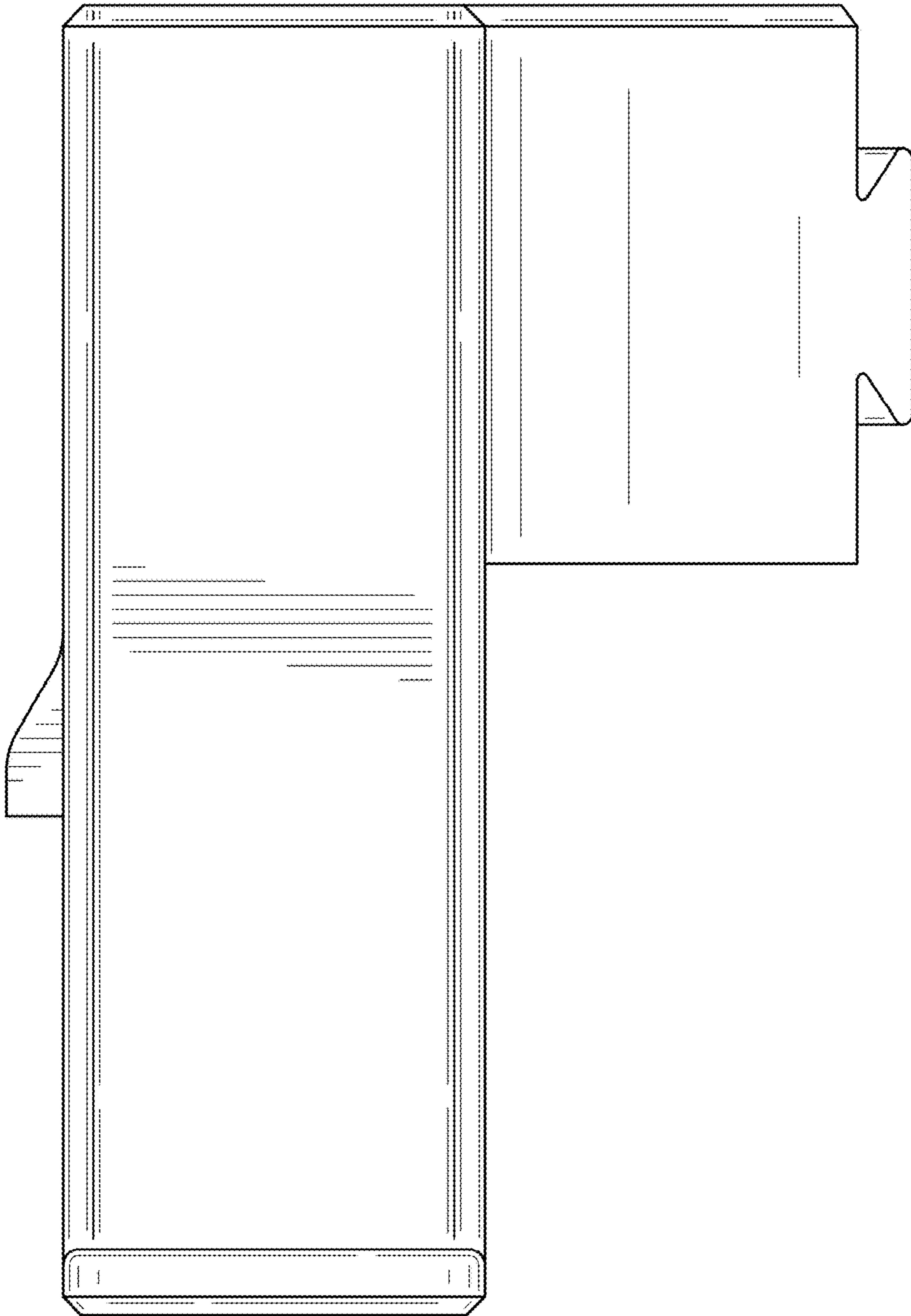


FIG. 4

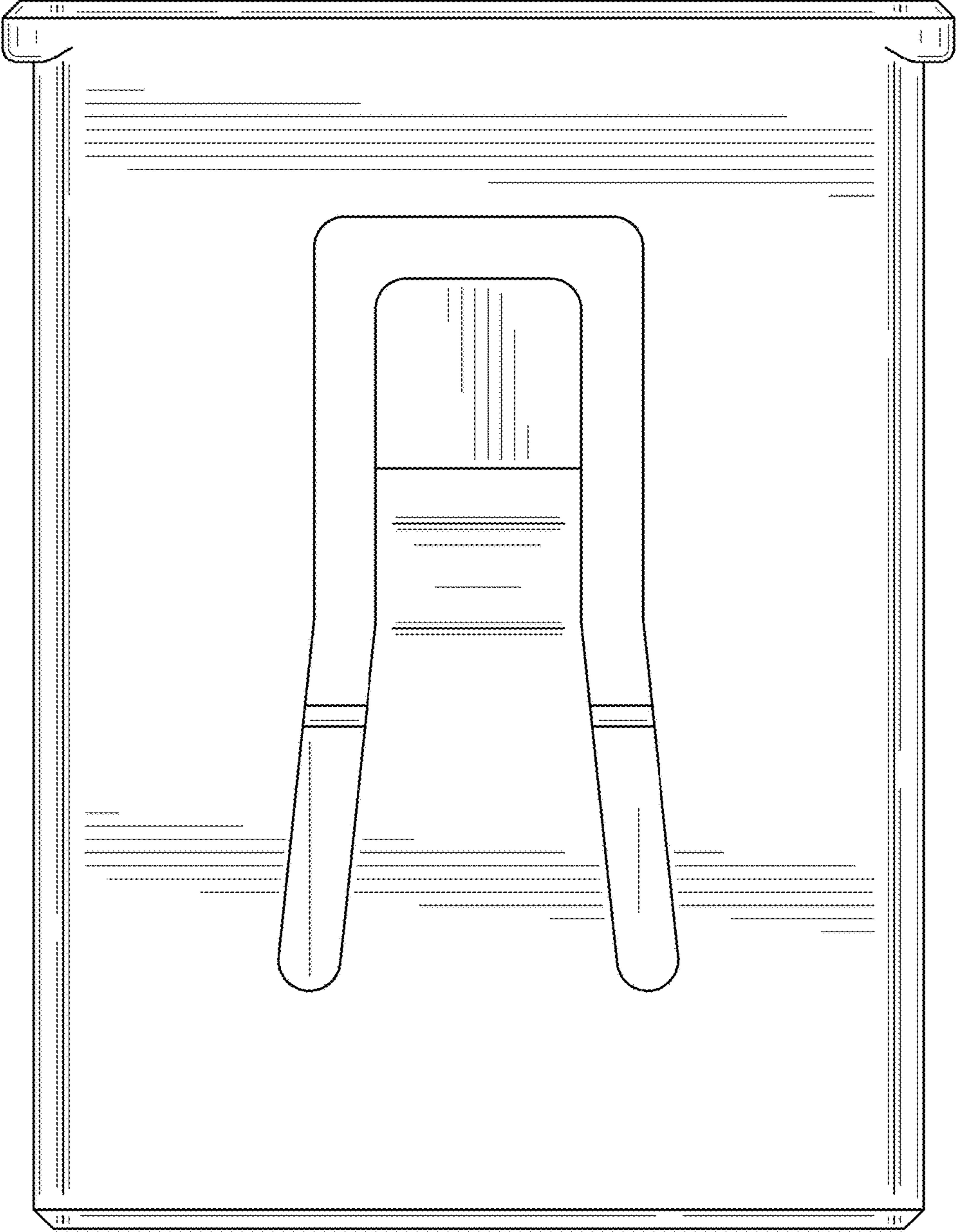


FIG. 5

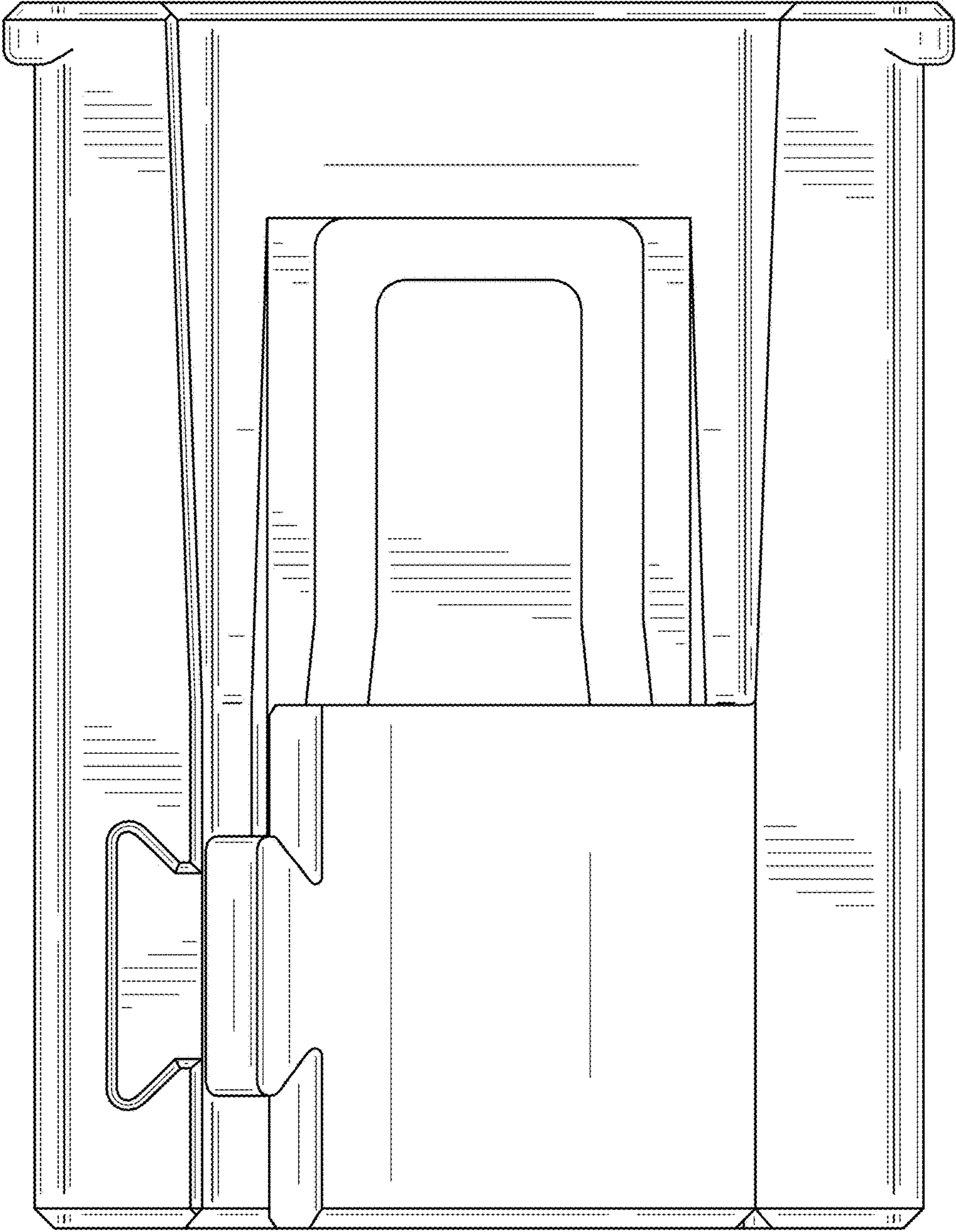


FIG. 6

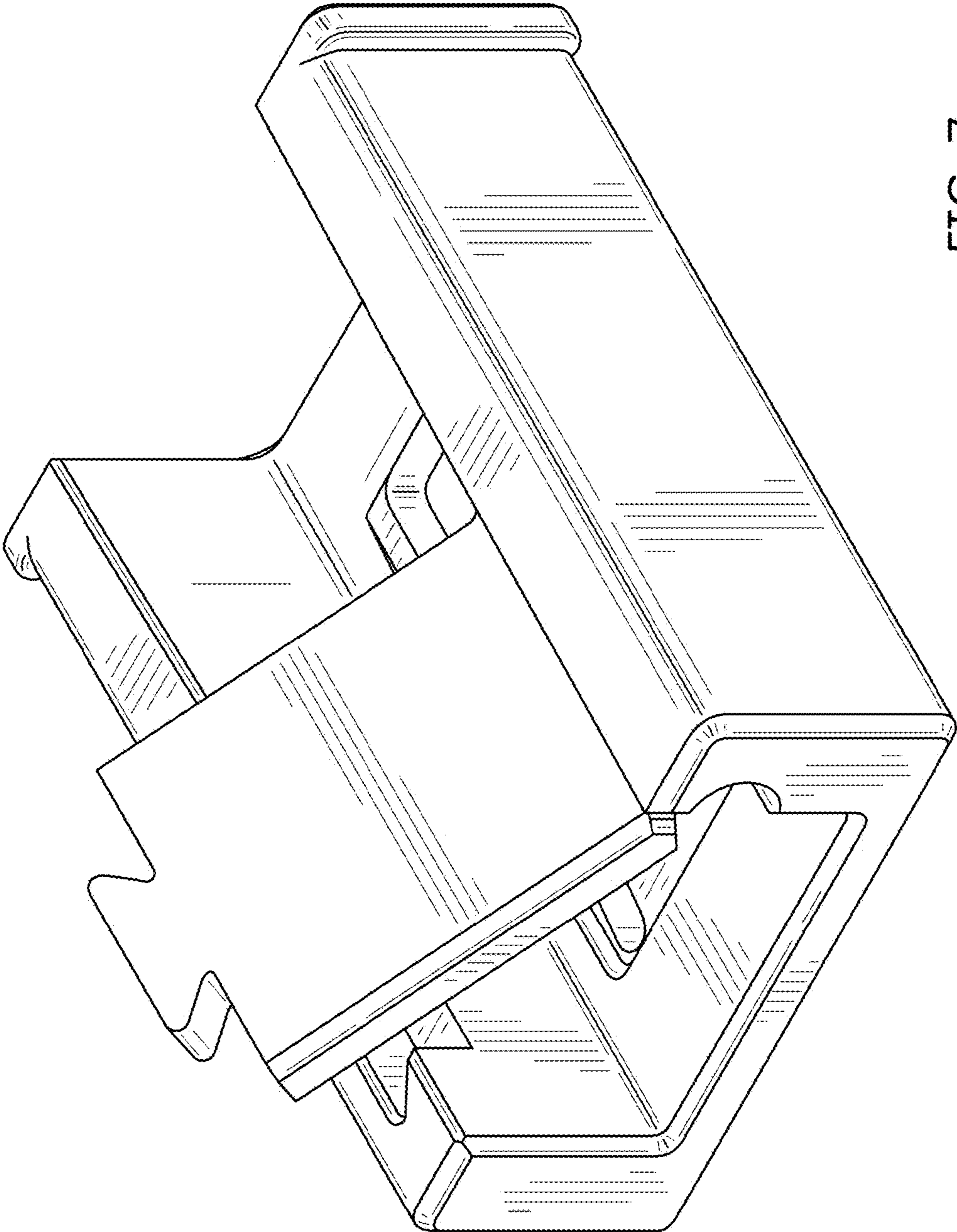


FIG. 7

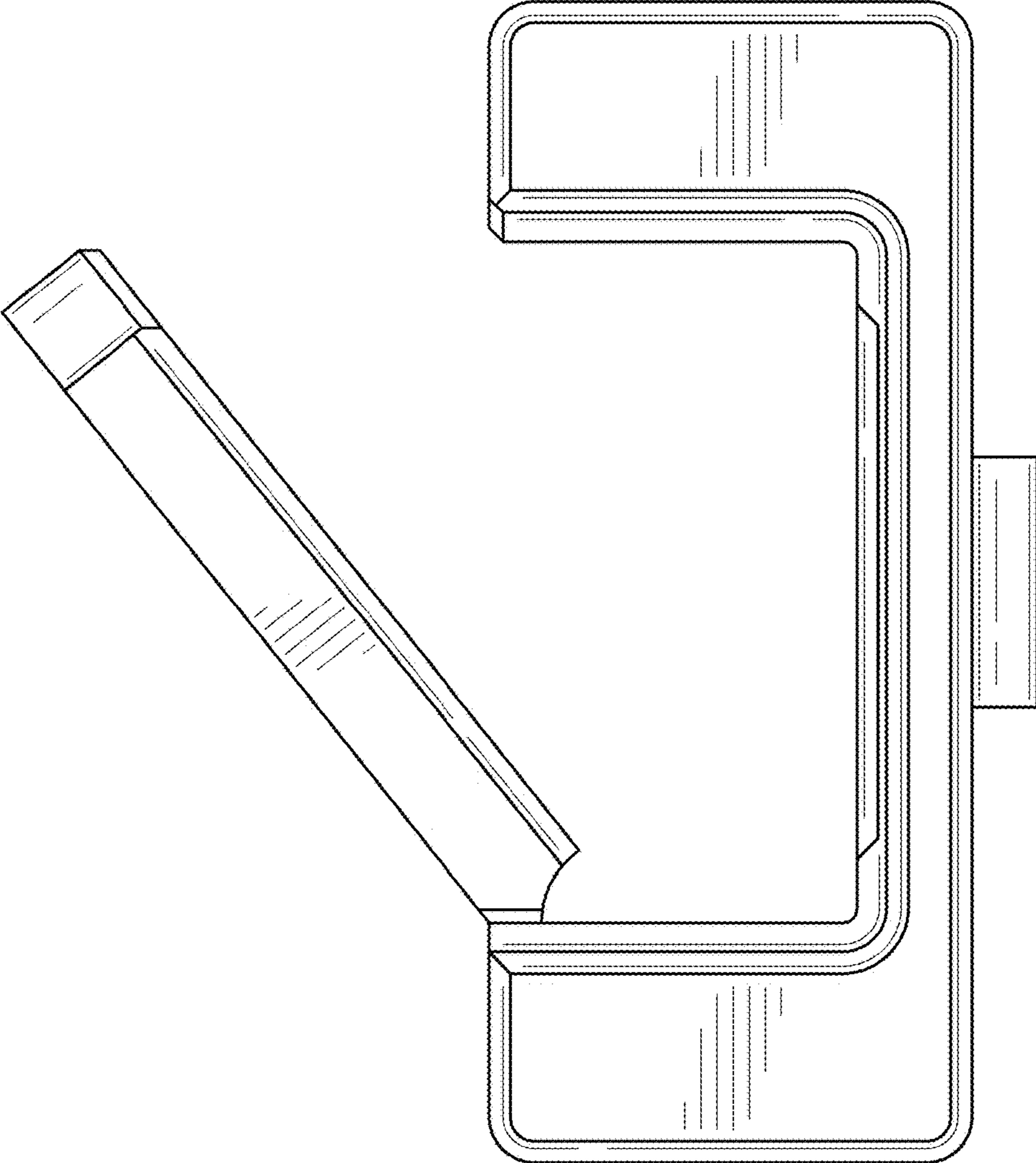


FIG. 8

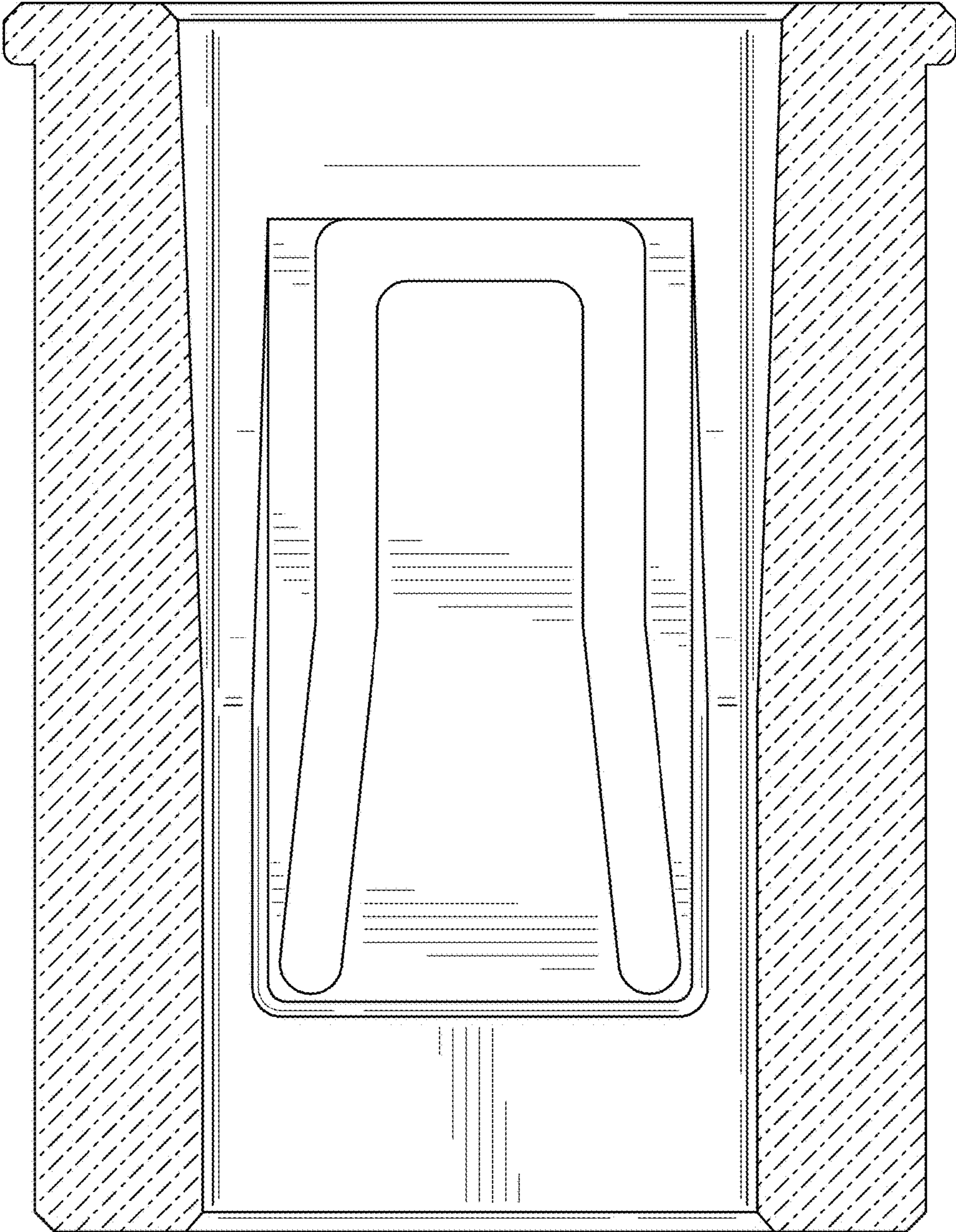


FIG. 9

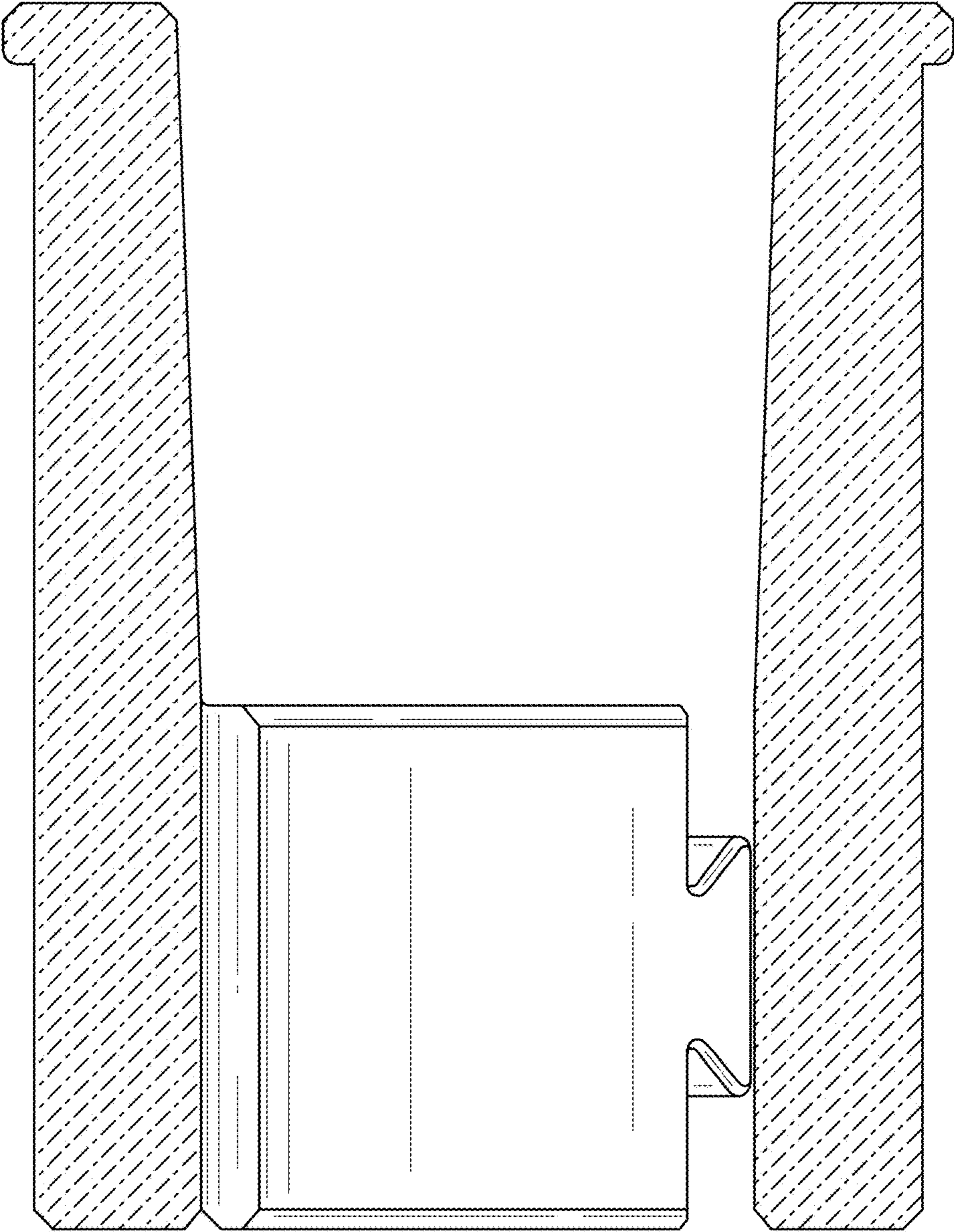


FIG. 10

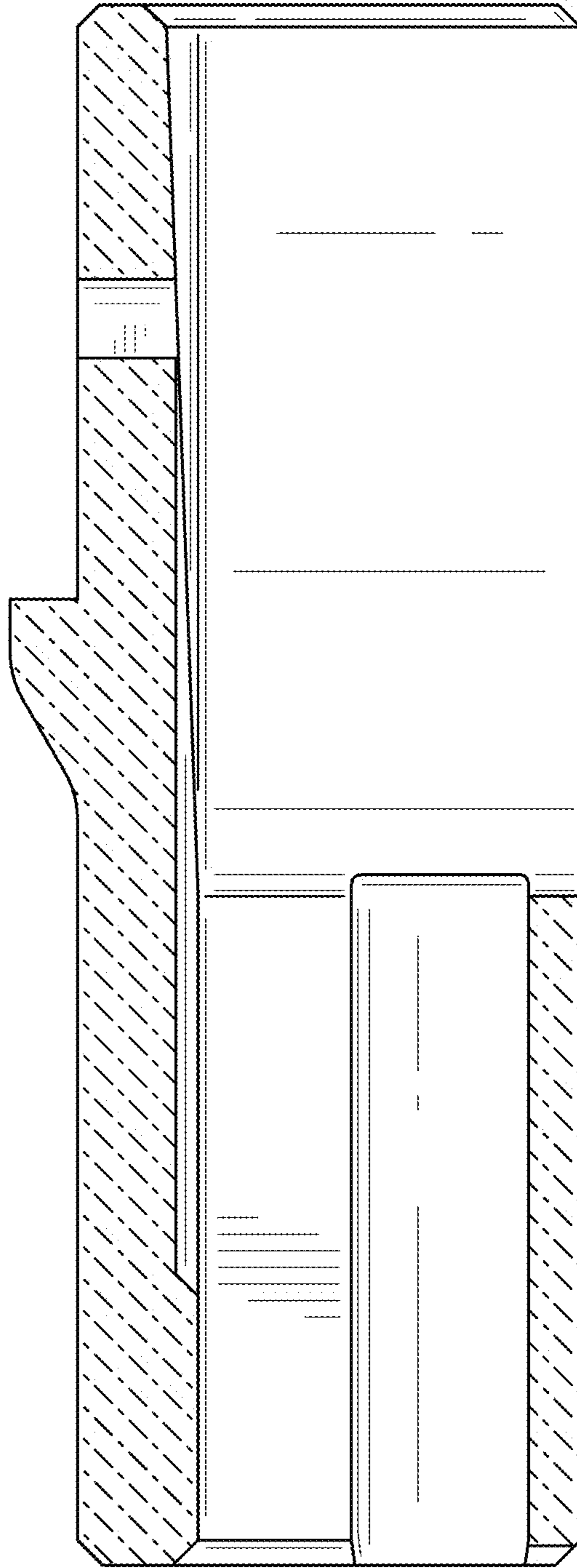


FIG. 11

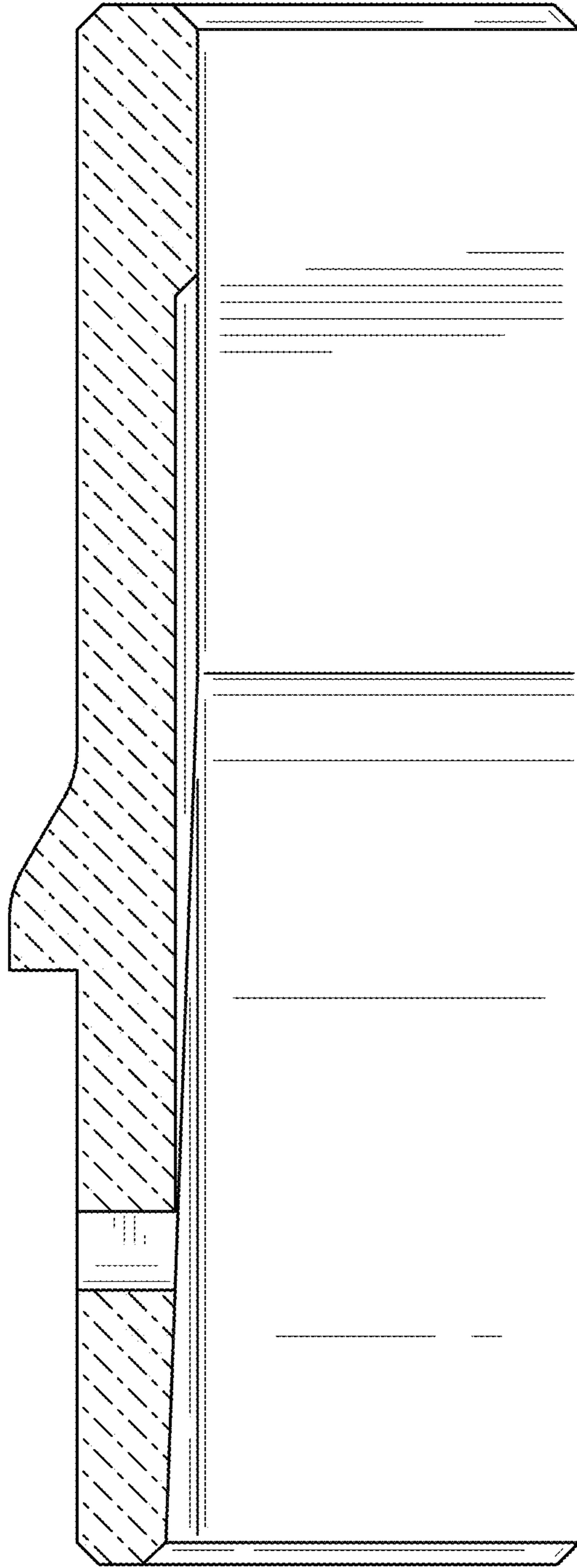


FIG. 12