



US00D821972S

(12) **United States Design Patent**
Wei

(10) **Patent No.:** **US D821,972 S**
(45) **Date of Patent:** **** Jul. 3, 2018**

- (54) **WALL CHARGER**
- (71) Applicant: **Shenzhen Aukey E-Business Co., Ltd.**,
Shenzhen (CN)
- (72) Inventor: **Xinlong Wei**, Shenzhen (CN)
- (73) Assignee: **Shenzhen Aukey E-business Co., Ltd.**,
Shenzhen (CN)

D735,130	S	*	7/2015	Huang	D13/108
D741,796	S	*	10/2015	Robinson	D13/103
D743,333	S	*	11/2015	Nomi	D13/108
D756,916	S	*	5/2016	Yang	D13/108
D758,965	S	*	6/2016	Jen	D13/108
D790,464	S	*	6/2017	He	D13/110
D796,432	S	*	9/2017	Liu	D13/107
2005/0212480	A1	*	9/2005	Kao	H02J 7/0042 320/114
2010/0117597	A1	*	5/2010	Wang	H02J 7/0042 320/111

(**) Term: **15 Years**

(21) Appl. No.: **29/584,353**

(22) Filed: **Nov. 14, 2016**

(51) **LOC (11) Cl.** **13-02**

(52) **U.S. Cl.**
USPC **D13/108**

(58) **Field of Classification Search**
USPC D13/102–110, 118–119, 184, 199;
D14/356, 432

CPC Y02E 60/10; Y02E 60/12; Y02E 60/122;
Y02E 60/124; Y02E 60/50; H01M 2/02;
H01M 2/022; H01M 2/0202; H01M
2/0207; H01M 2/0212; H01M 2/1061;
H01M 2/1022; H01M 2/1055; H01M
2/1066; H01M 2/105; H01M 2/20; H01M
2/202; H01M 2/204; H01M 2/206; H01M
10/44; H01M 10/46; H01M 10/465;
H01M 10/482; H01M 2200/30; H01M
2250/30; H01M 2250/40; H02J 7/00;
H02J 7/0003; H02J 7/0011; H02J 7/0013;
H02J 7/0054; H02J 7/0055; H02J 7/0057;
H02J 2007/0062

See application file for complete search history.

(56) **References Cited**

U.S. PATENT DOCUMENTS

D650,330	S	*	12/2011	Dong	D13/108
D653,615	S	*	2/2012	Au	D13/108
D655,244	S	*	3/2012	Au	D13/108
D715,734	S	*	10/2014	Levy	D13/110

OTHER PUBLICATIONS

Aukey PD Duo USB-C Wall Charger, Aukey, reviewed on Dec. 19, 2016 on amazon.com, retrieved on Sep. 17, 2017, retrieved from the Internet URL: https://www.amazon.com/Aukey-Charger-Delivery-Nintendo-Switch/dp/B01LX063QN/ref=sr_1_1?s=wireless&ie=UTF8&qid=1505937806&sr=1-1&keywords=aukey+amp+duo+usb+c+wall+charger.*

* cited by examiner

Primary Examiner — Rosemary K Tarcza
Assistant Examiner — Alison M Ofstun
(74) *Attorney, Agent, or Firm* — JiangIP LLC; Yanling Jiang

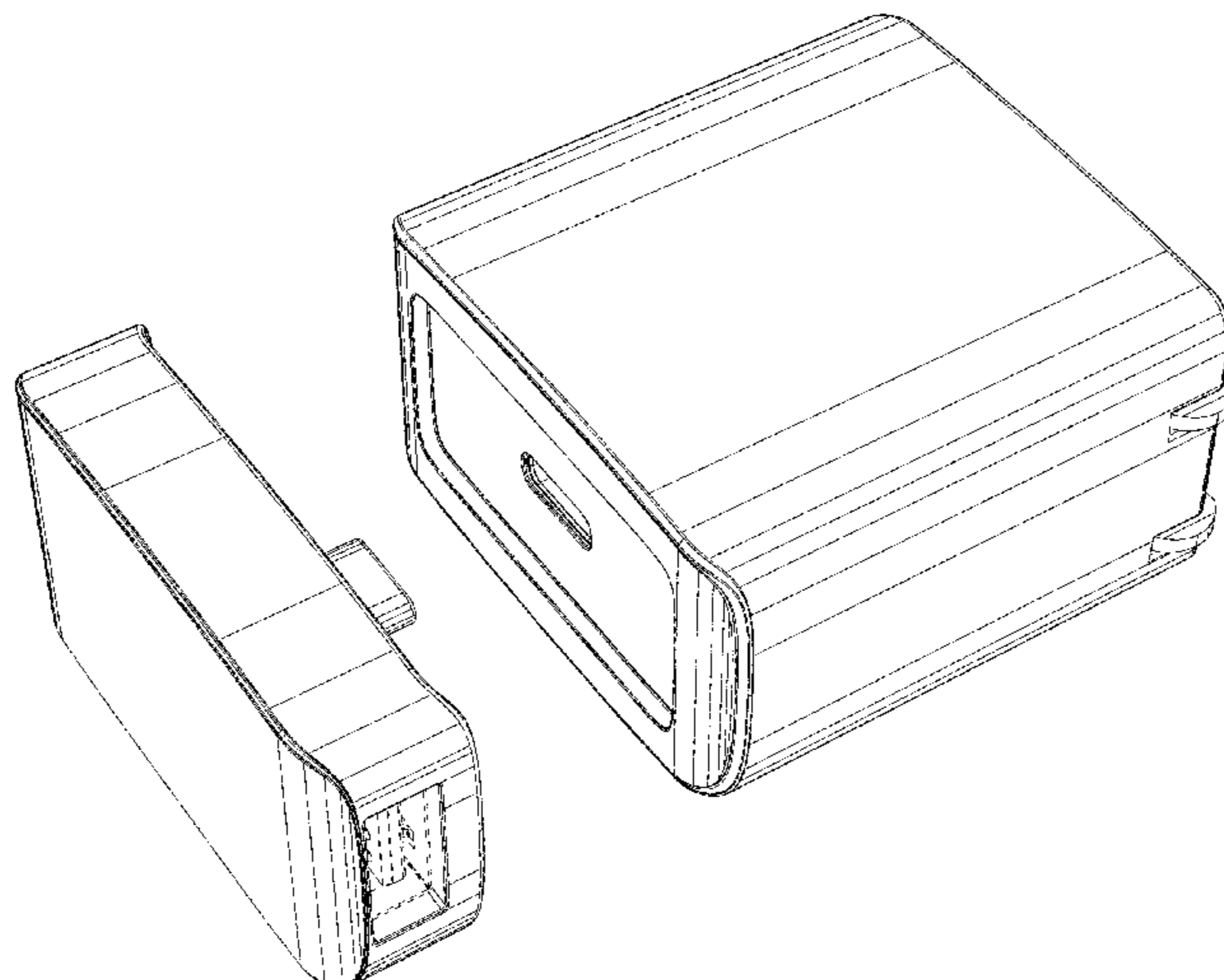
(57) **CLAIM**

The ornamental design for a wall charger, as shown and described.

DESCRIPTION

FIG. 1 is a perspective view showing a wall charger.
FIG. 2 is a front view of a wall charger.
FIG. 3 is a rear view of a wall charger.
FIG. 4 is a top view of a wall charger.
FIG. 5 is a bottom view of a wall charger.
FIG. 6 is a side view of a wall charger; and,
FIG. 7 is a side view of a wall charger.
The broken lines present in the drawings illustrate portions of the article which from no part of the claimed design.

1 Claim, 7 Drawing Sheets



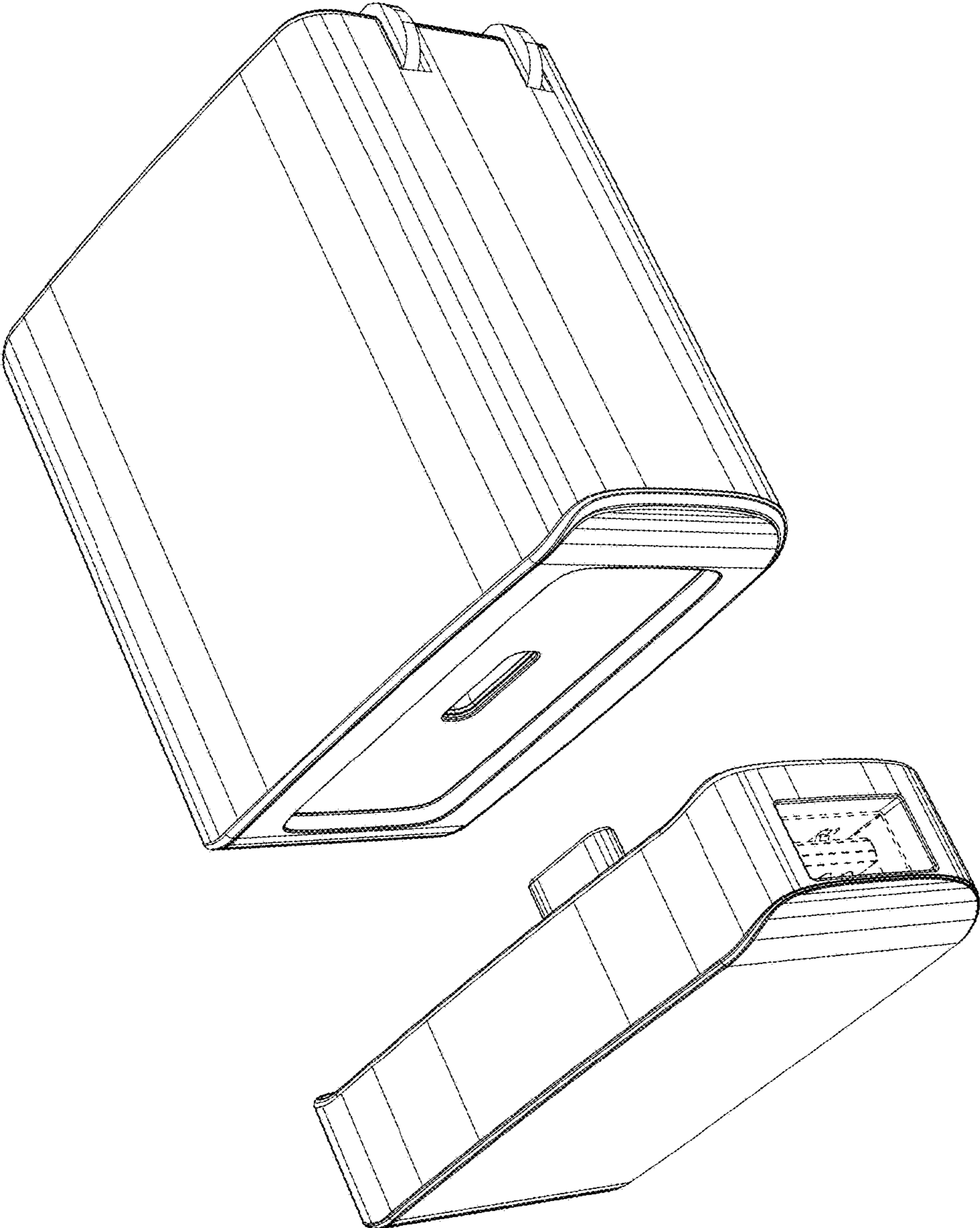


Fig. 1

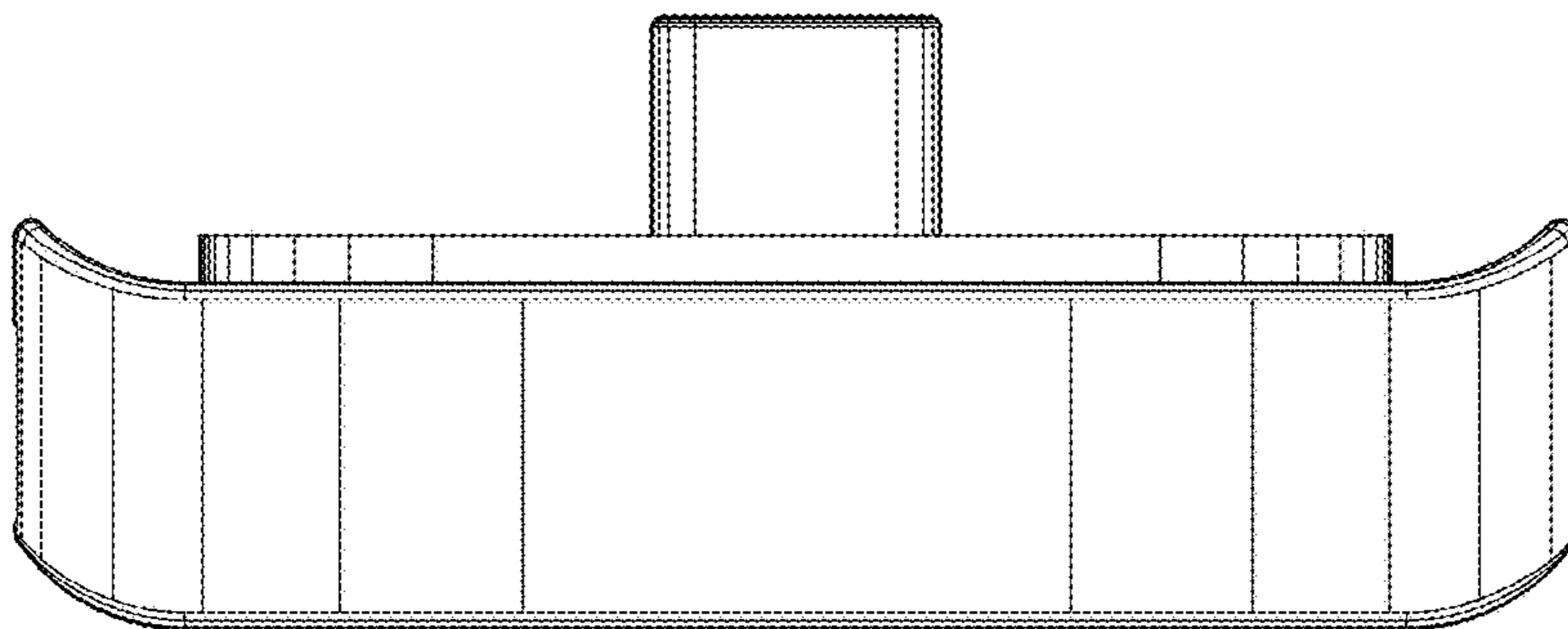
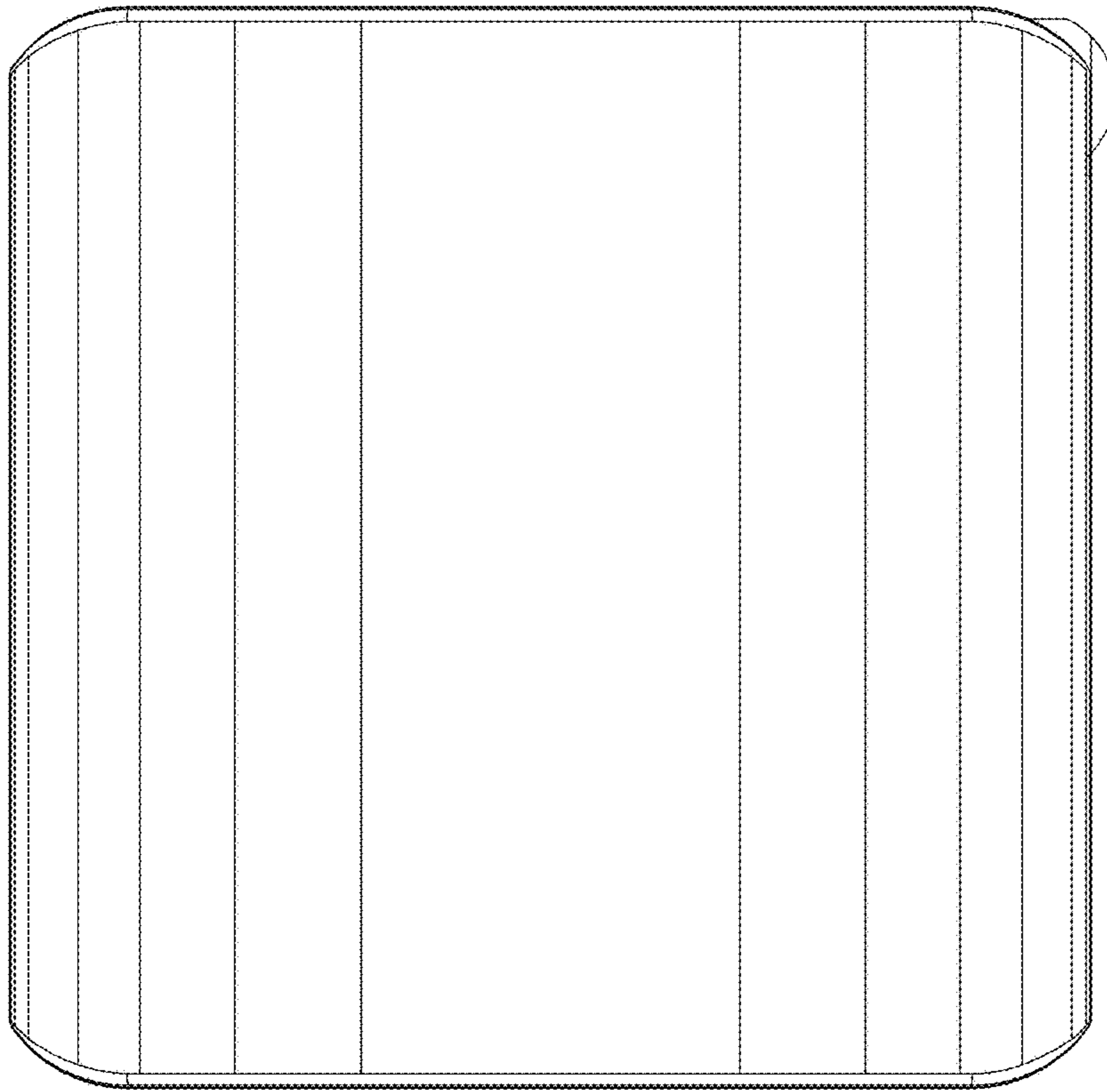


Fig. 2

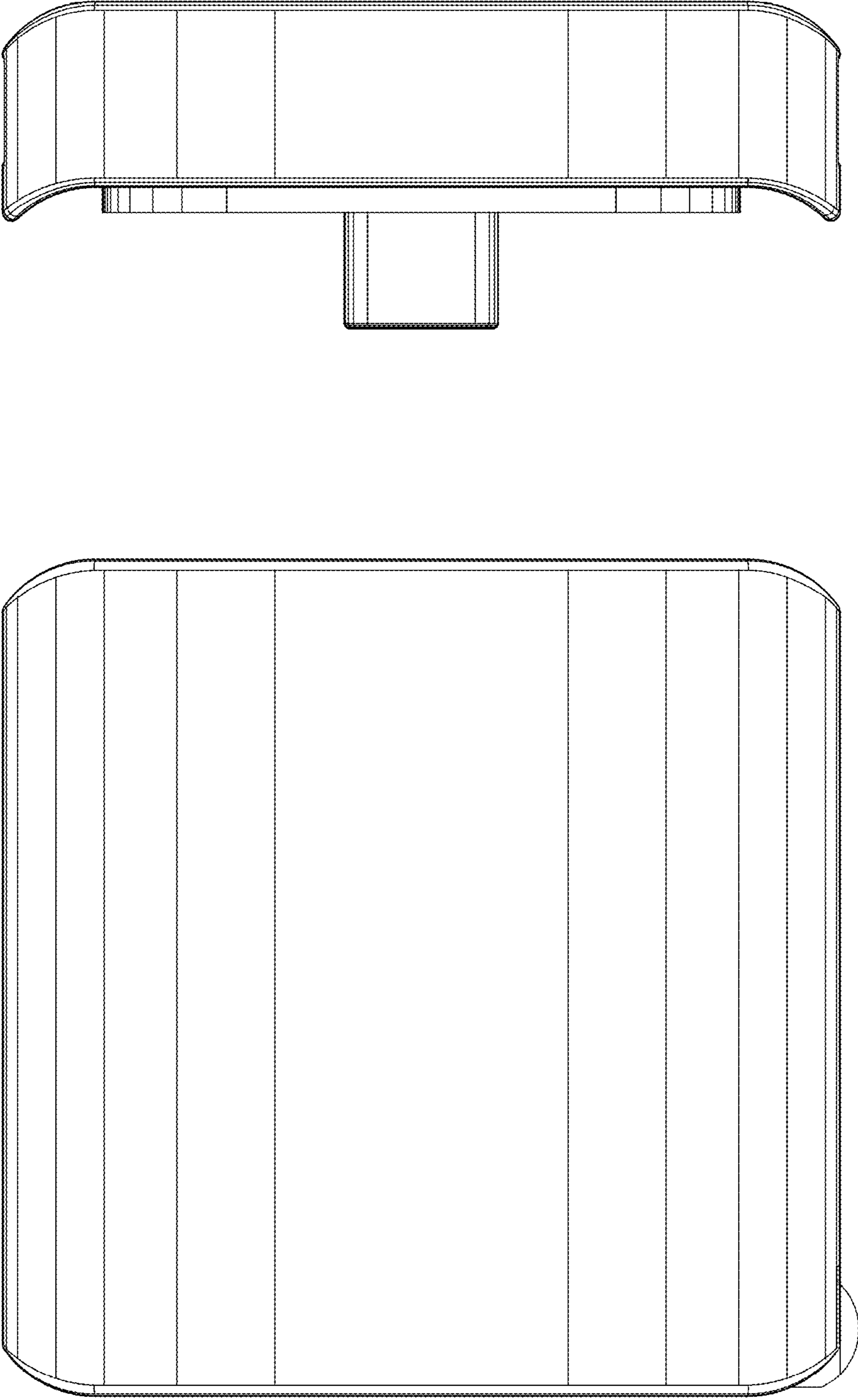


Fig. 3

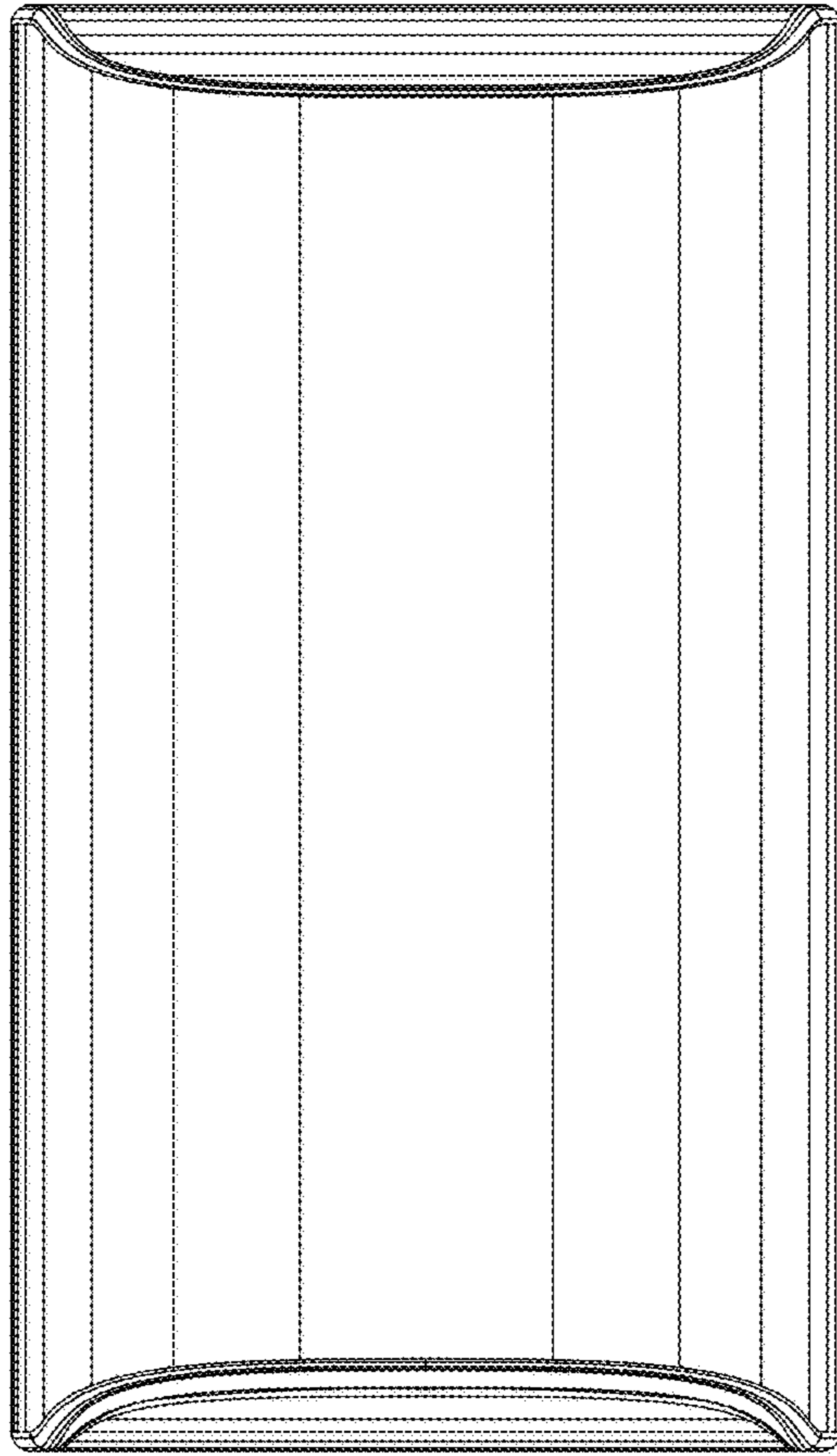
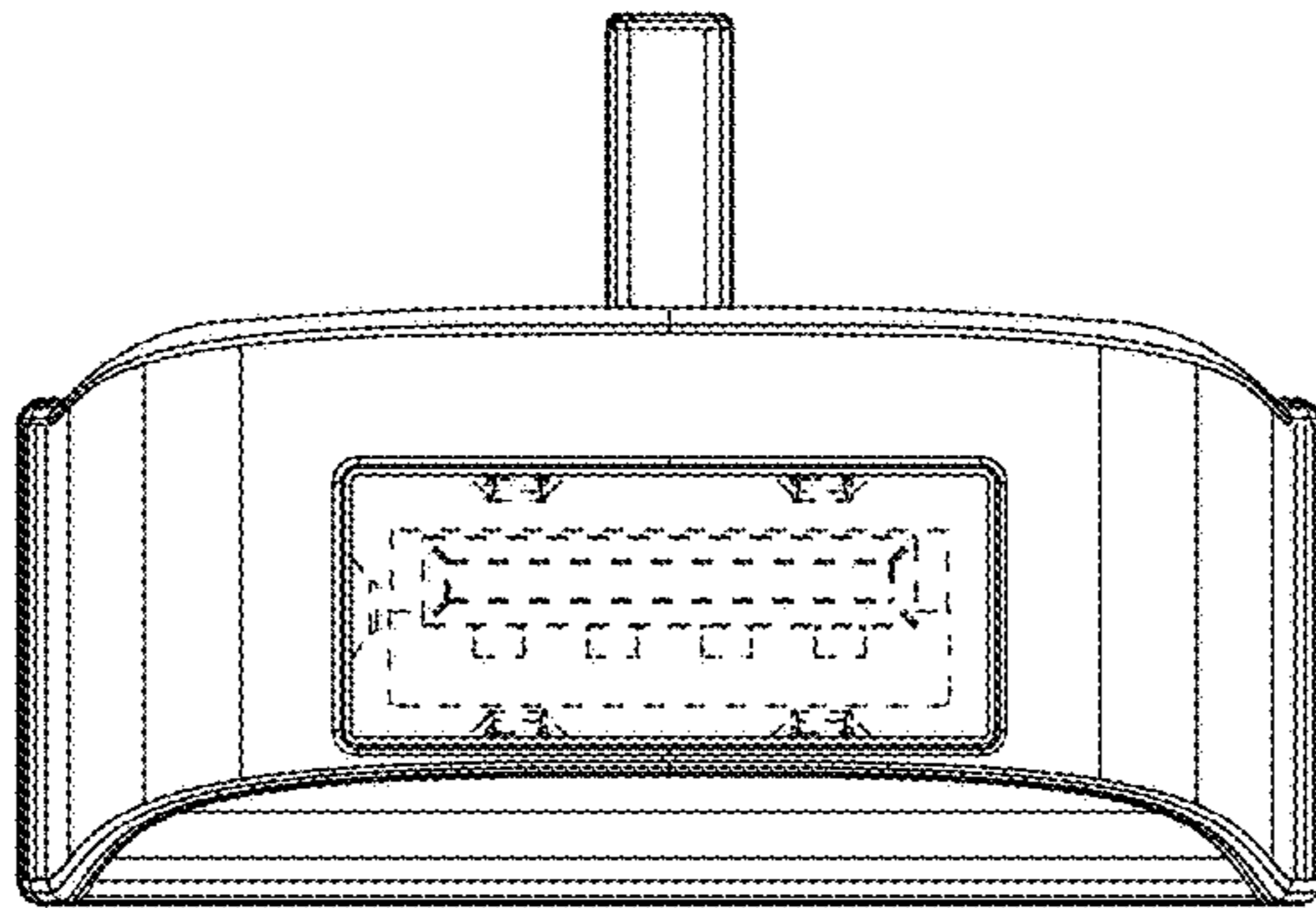


Fig. 4



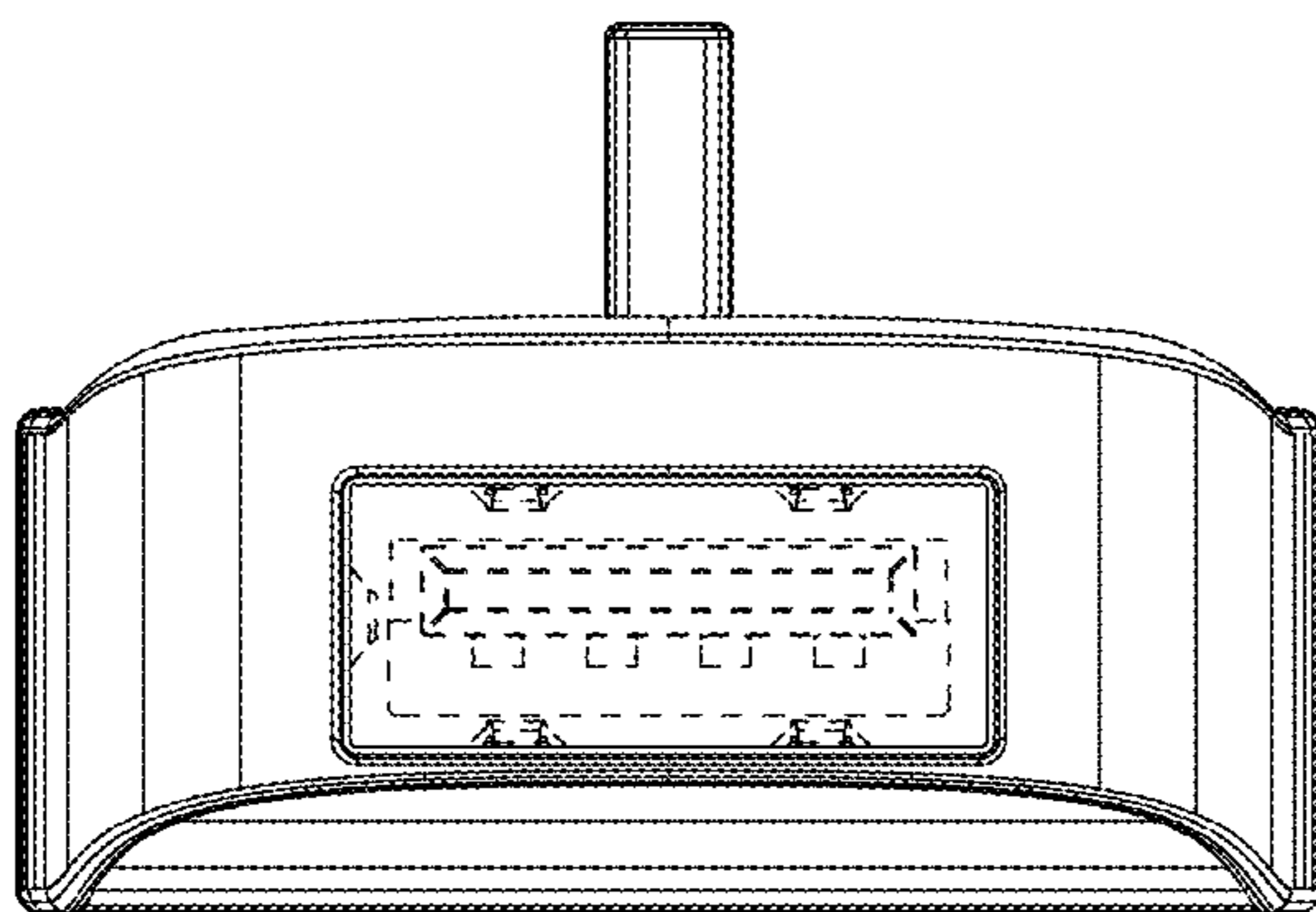
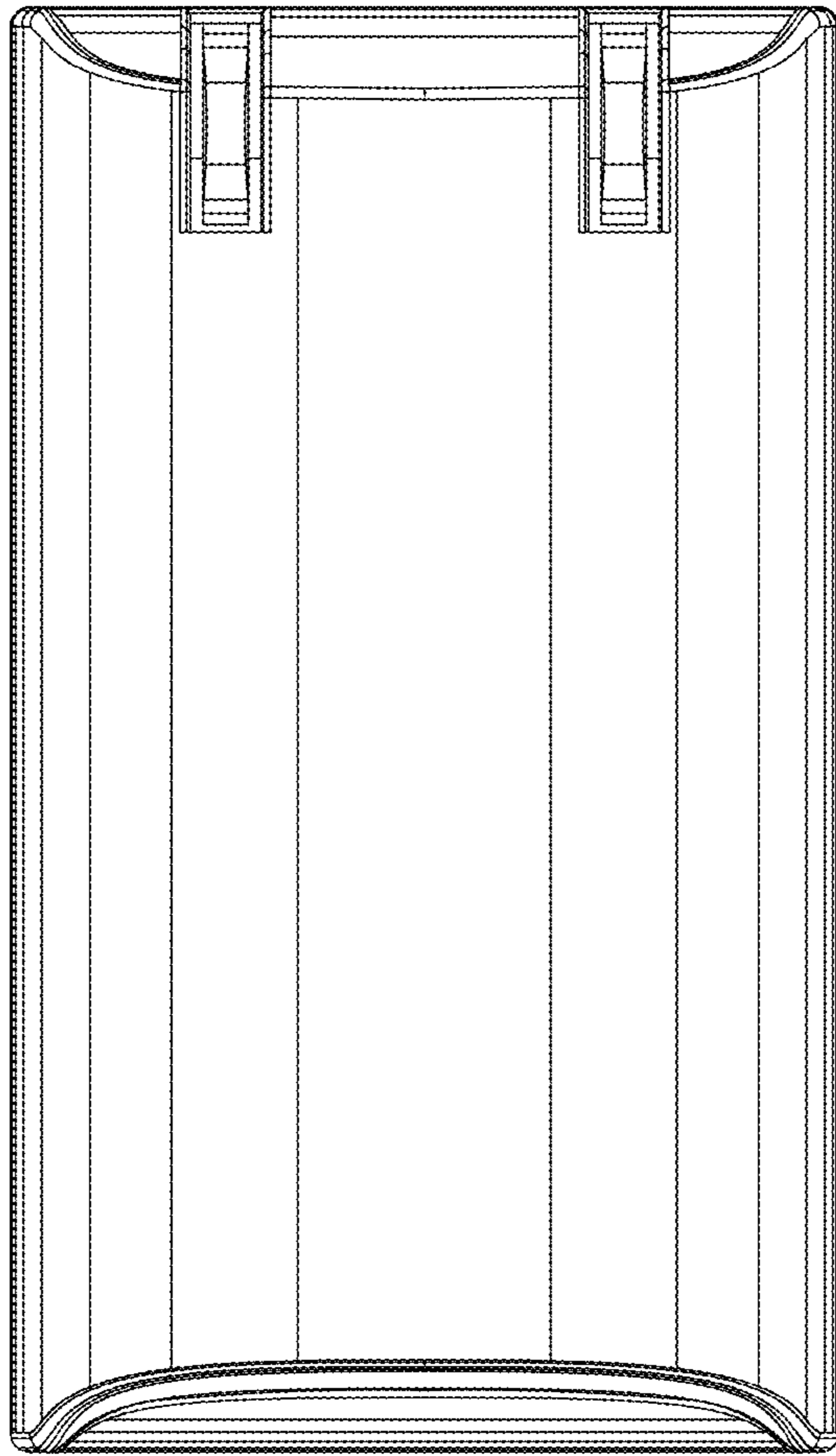


Fig. 5

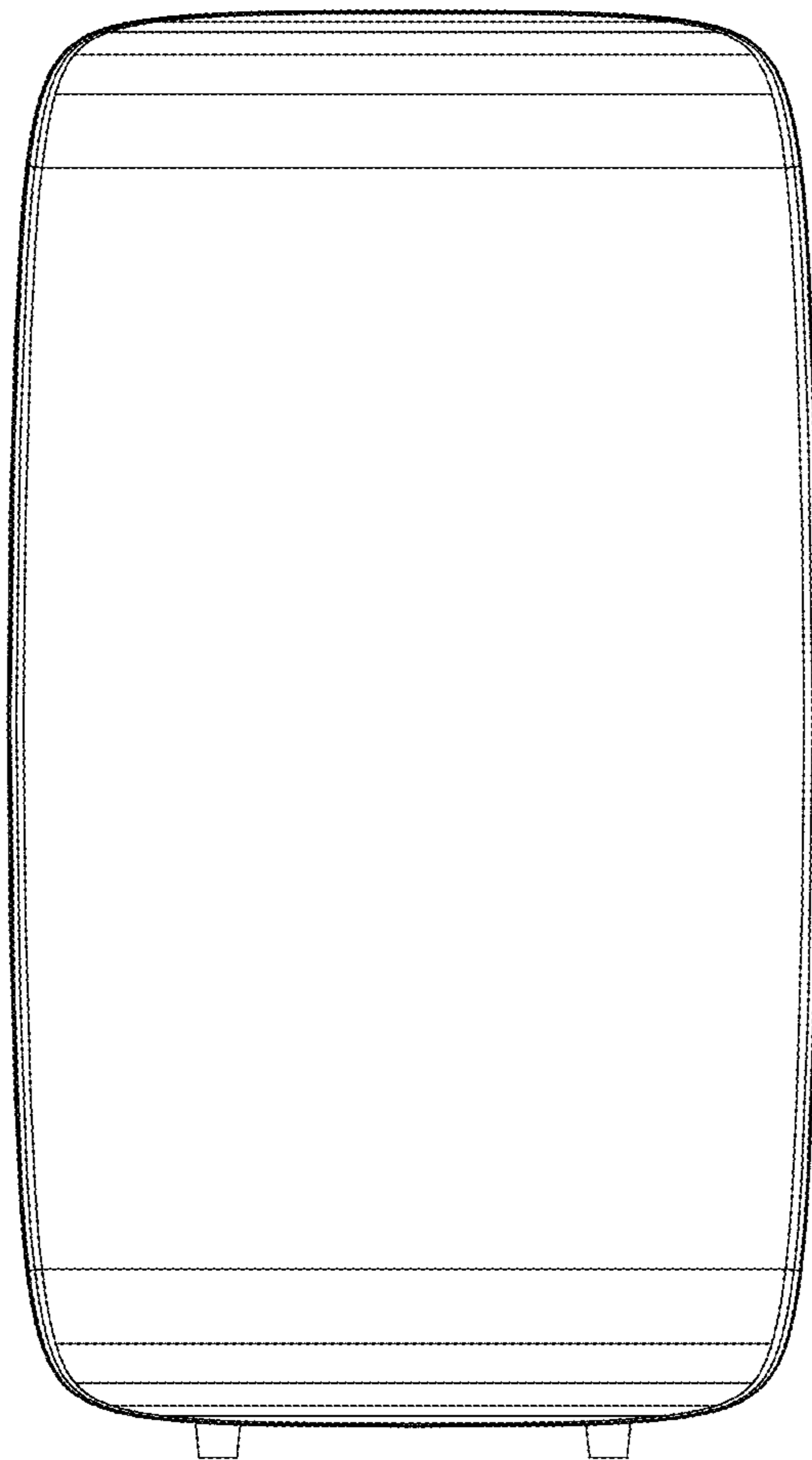


Fig. 6

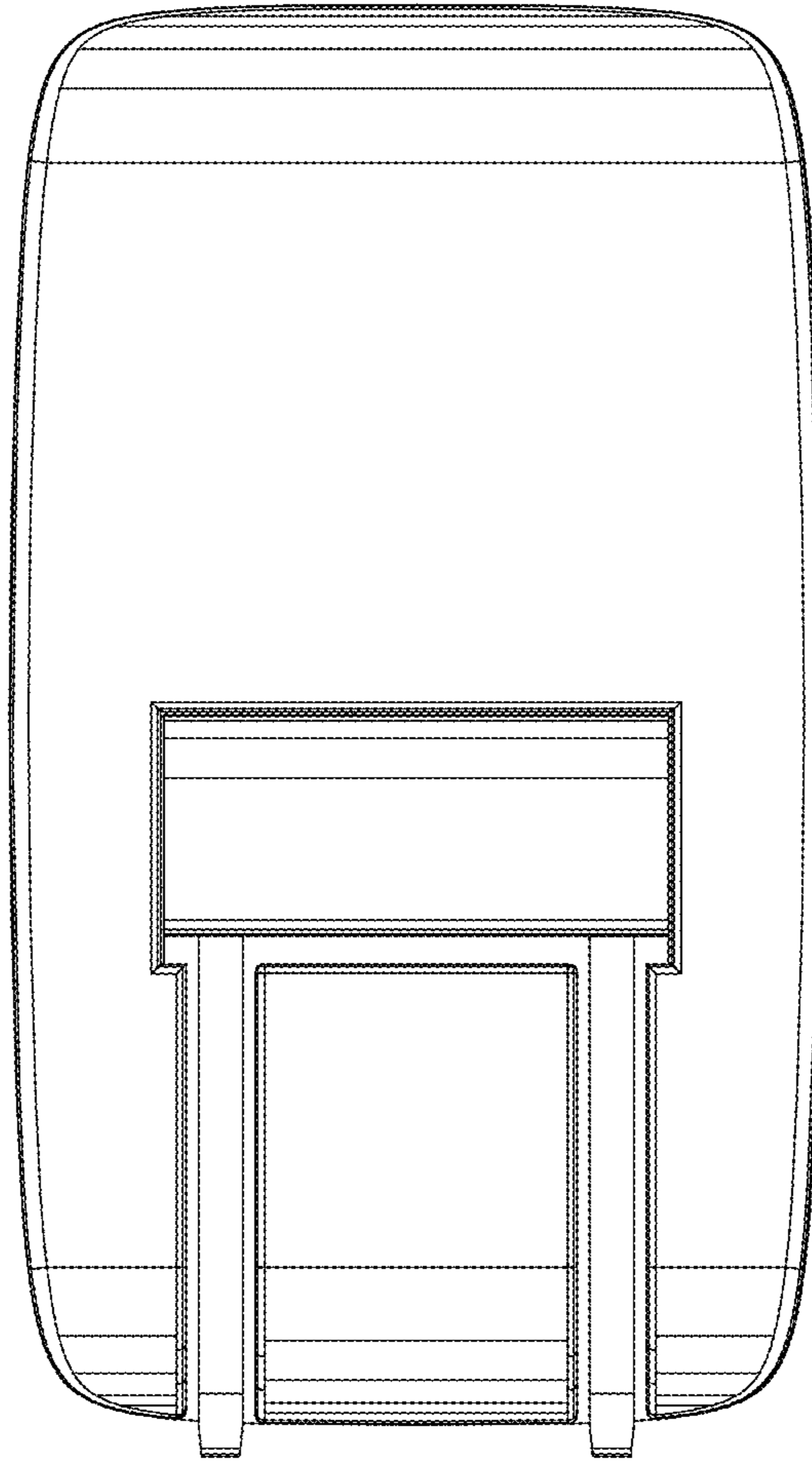


Fig. 7