



US00D821971S

(12) **United States Design Patent**  
**Yang et al.**

(10) **Patent No.:** **US D821,971 S**  
(45) **Date of Patent:** **\*\* Jul. 3, 2018**

(54) **CHARGER**

(71) Applicant: **Ningbo Gude Electronic Technology Co., Ltd**, Zhejiang Province (CN)

(72) Inventors: **Zhaolin Yang**, Zhejiang Province (CN); **Jianrong Zhou**, Zhejiang Province (CN); **Jun Wang**, Zhejiang Province (CN); **Shilin Wang**, Zhejiang Province (CN); **Weijun Pan**, Zhejiang Province (CN)

(\*\*) Term: **15 Years**

(21) Appl. No.: **29/608,728**

(22) Filed: **Jun. 26, 2017**

(51) **LOC (11) Cl.** ..... **13-02**

(52) **U.S. Cl.**  
USPC ..... **D13/107**

(58) **Field of Classification Search**  
USPC ..... D13/118, 119, 184, 102-110, 123, 133, D13/137.1-137.4, 138.1-138.2, D13/139.1-139.8, 152-154, 146, 147, D13/156, 158, 177, 160; D14/251, 253, D14/432, 434, 433; D15/9; D8/300, D8/303, 315, 321, 350-353  
CPC ..... Y02E 60/12; Y02E 60/122; Y02E 60/124; Y02E 60/50; Y02T 90/14; Y02T 90/122; Y02T 90/128; Y02T 90/163; Y02T 10/7005; Y02T 10/705; Y02T 10/7088; H02J 7/025; H02J 7/0042; H02J 7/0044; H02J 7/0045; H02J 7/0003; H02J 2001/008; H02J 3/32; H02J 3/008; H02J 7/0027; H02J 7/0013; H02J 7/0054; H02J 7/00; H02J 7/0034; H02J 7/1423; H01F 38/14; H01R 13/6675; H01R 11/00; H01R 9/00; H01R 25/00; H01R 25/006; H01M 2/1022; H01M 2/1055; H01M 10/44; H01M 10/46; H01M 10/425; H01M 10/4257; H01M 10/0436; H01M

10/48; H01M 2/02; H01M 2/022; H01M 2/0202; H01M 2/0207; H01M 2/0212; H01M 2/1061; H01M 2/1066; H01M 2/105; H01M 2/204; B60L 11/182; B60L 11/1809; B60L 11/1861; B60R 16/03  
See application file for complete search history.

(56) **References Cited**

**U.S. PATENT DOCUMENTS**

D454,537	S	*	3/2002	O'Connor	.....	D13/110
D555,590	S	*	11/2007	Dong	.....	D13/110
D694,180	S	*	11/2013	Inskeep	.....	D13/107
D793,955	S	*	8/2017	Yang	.....	D13/107
D803,151	S	*	11/2017	Zhou	.....	D13/107
2009/0026843	A1	*	1/2009	Youn	.....	H02J 7/0042 307/66
2017/0012256	A1	*	1/2017	Qin	.....	H01M 2/1044

\* cited by examiner

*Primary Examiner* — Rosemary K Tarcza  
*Assistant Examiner* — Christy M Nemeth  
(74) *Attorney, Agent, or Firm* — Prakash Nama; Global IP Services, PLLC

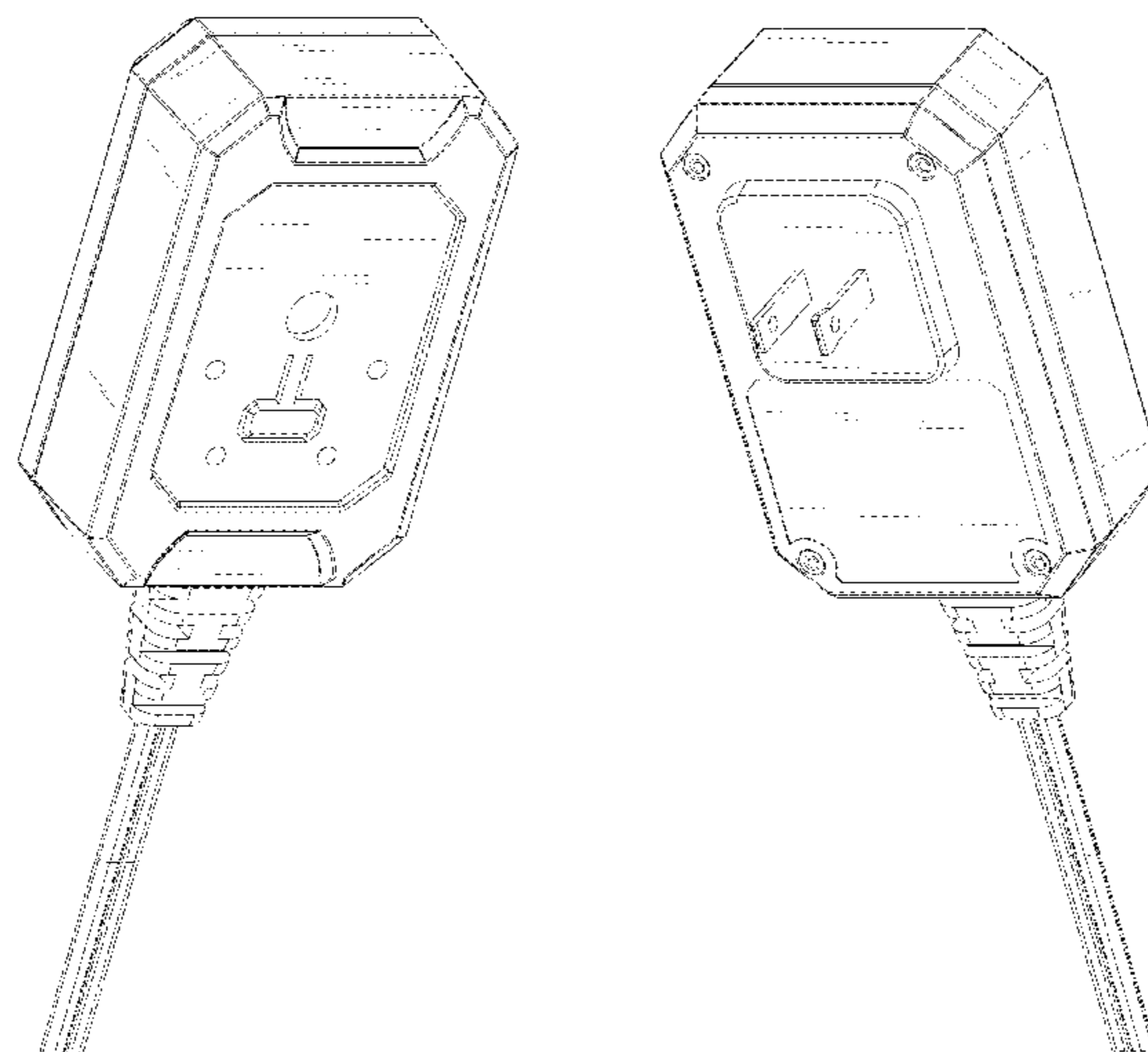
(57) **CLAIM**

The ornamental design for a charger, as shown.

**DESCRIPTION**

FIG. 1 is a front elevational view of a charger showing our new design;  
FIG. 2 is a rear elevational view thereof;  
FIG. 3 is a left side view thereof;  
FIG. 4 is a right side view thereof;  
FIG. 5 is a top plan view thereof;  
FIG. 6 is a bottom plan view thereof;  
FIG. 7 is a perspective view thereof; and,  
FIG. 8 is another perspective view thereof.

**1 Claim, 7 Drawing Sheets**



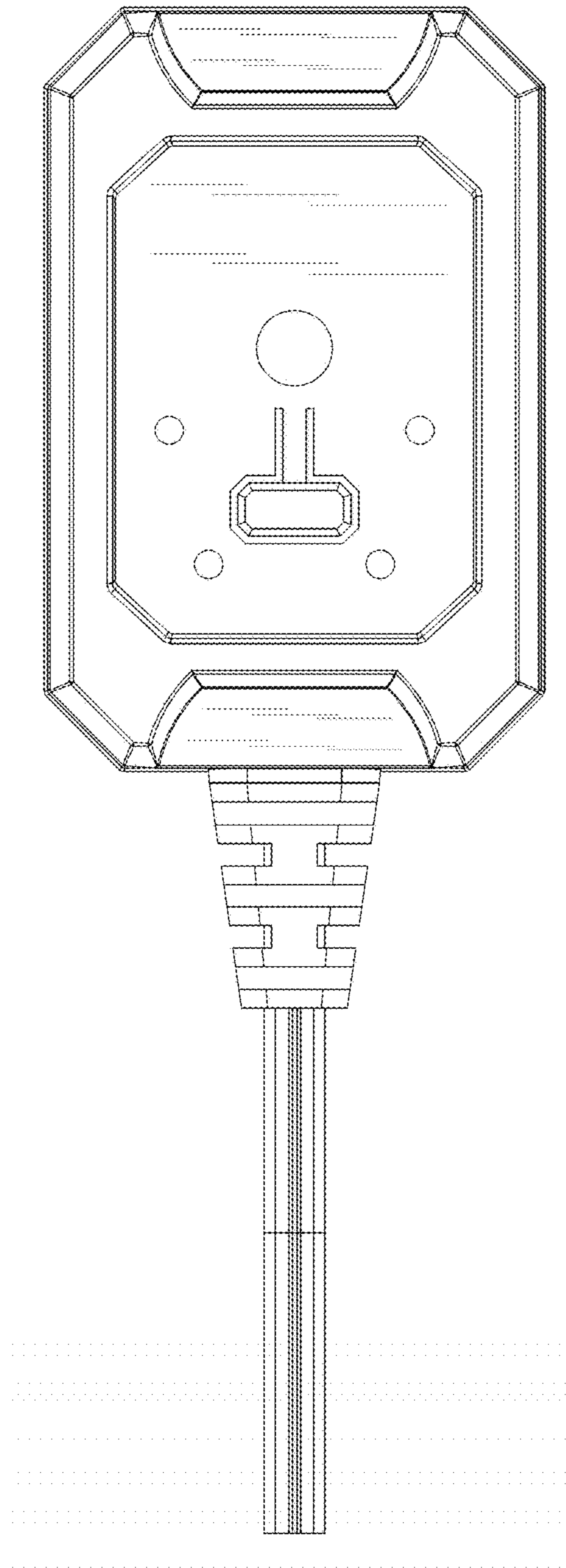


FIG. 1

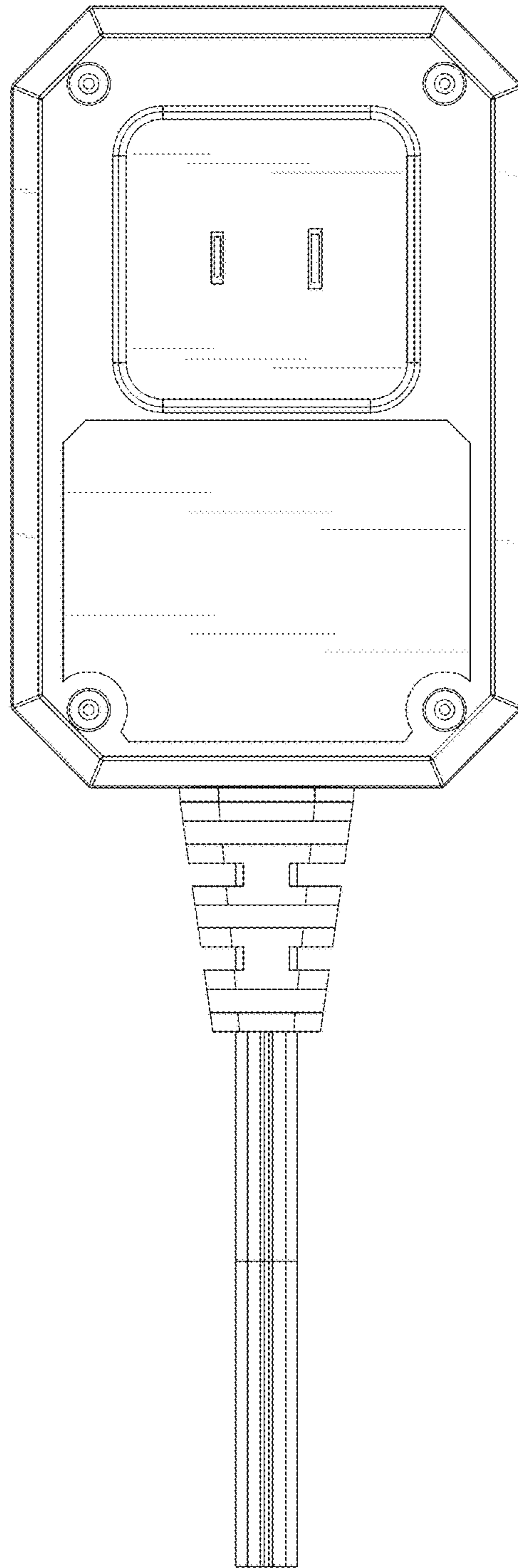


FIG. 2

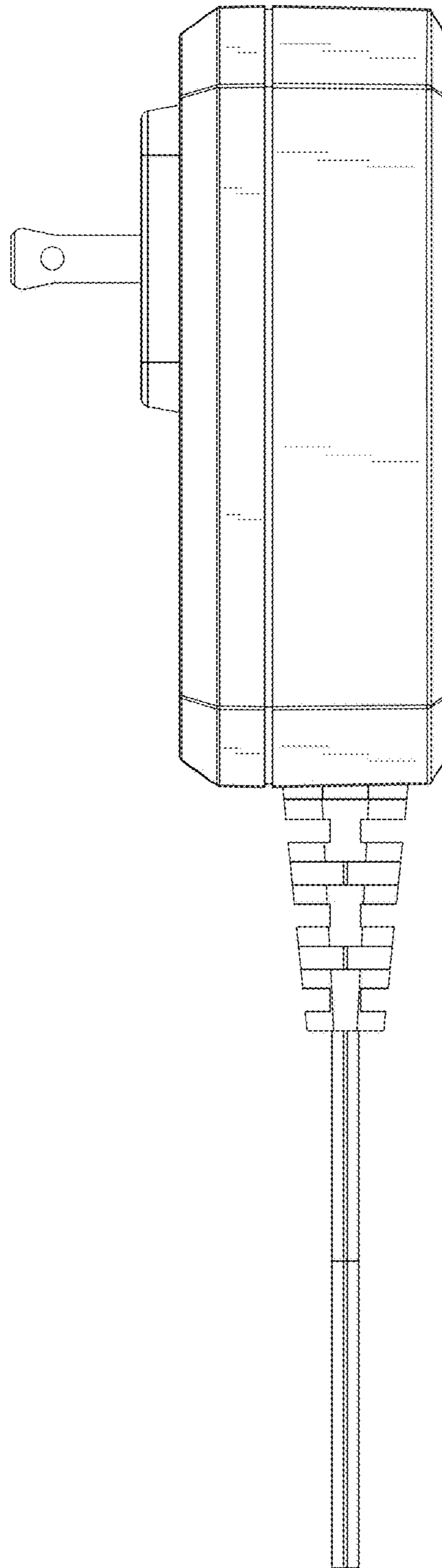


FIG. 3

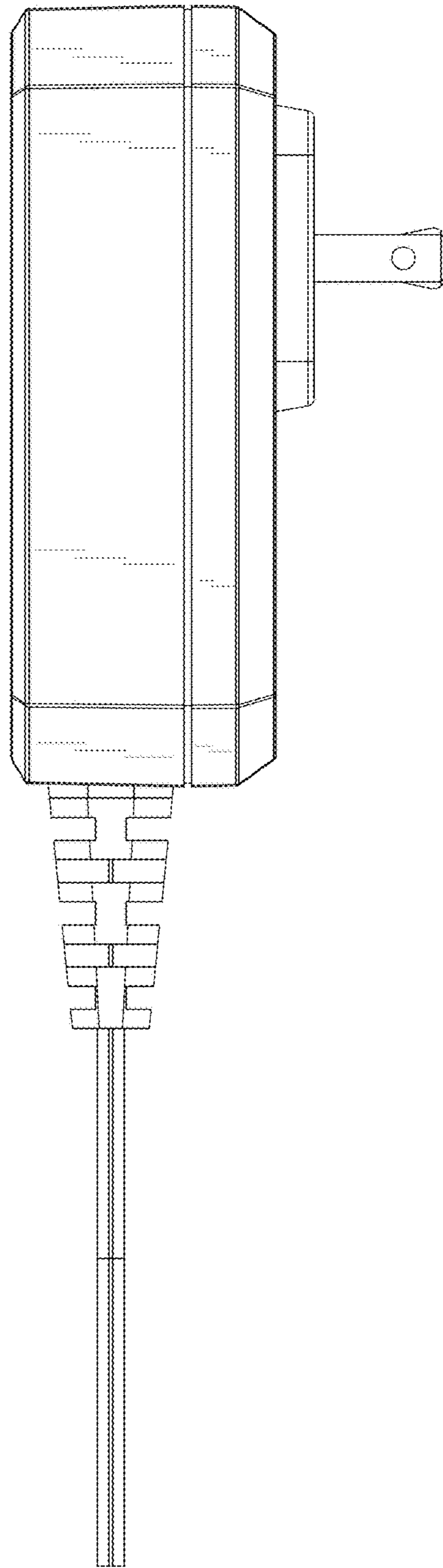


FIG. 4



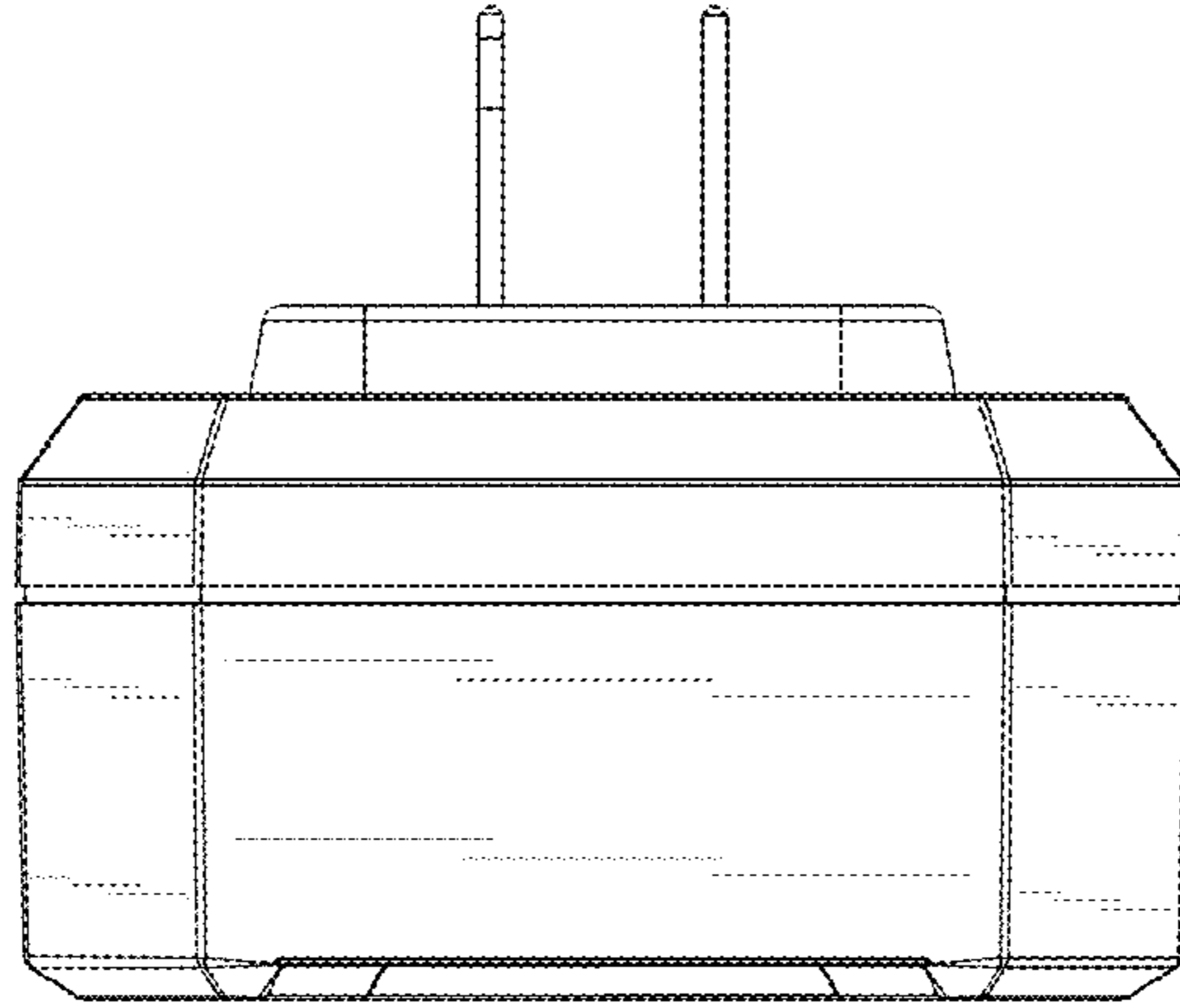


FIG. 5

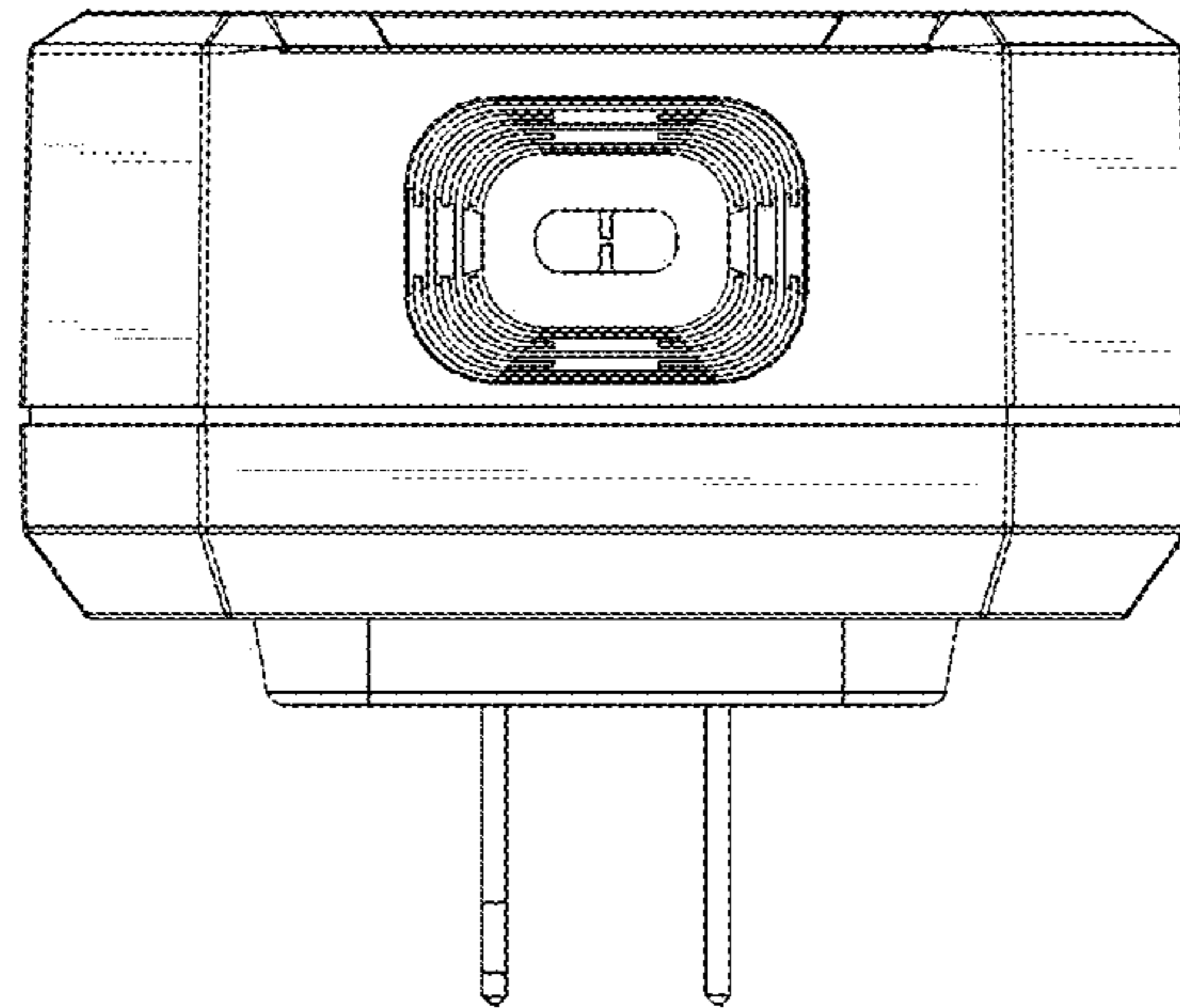


FIG. 6

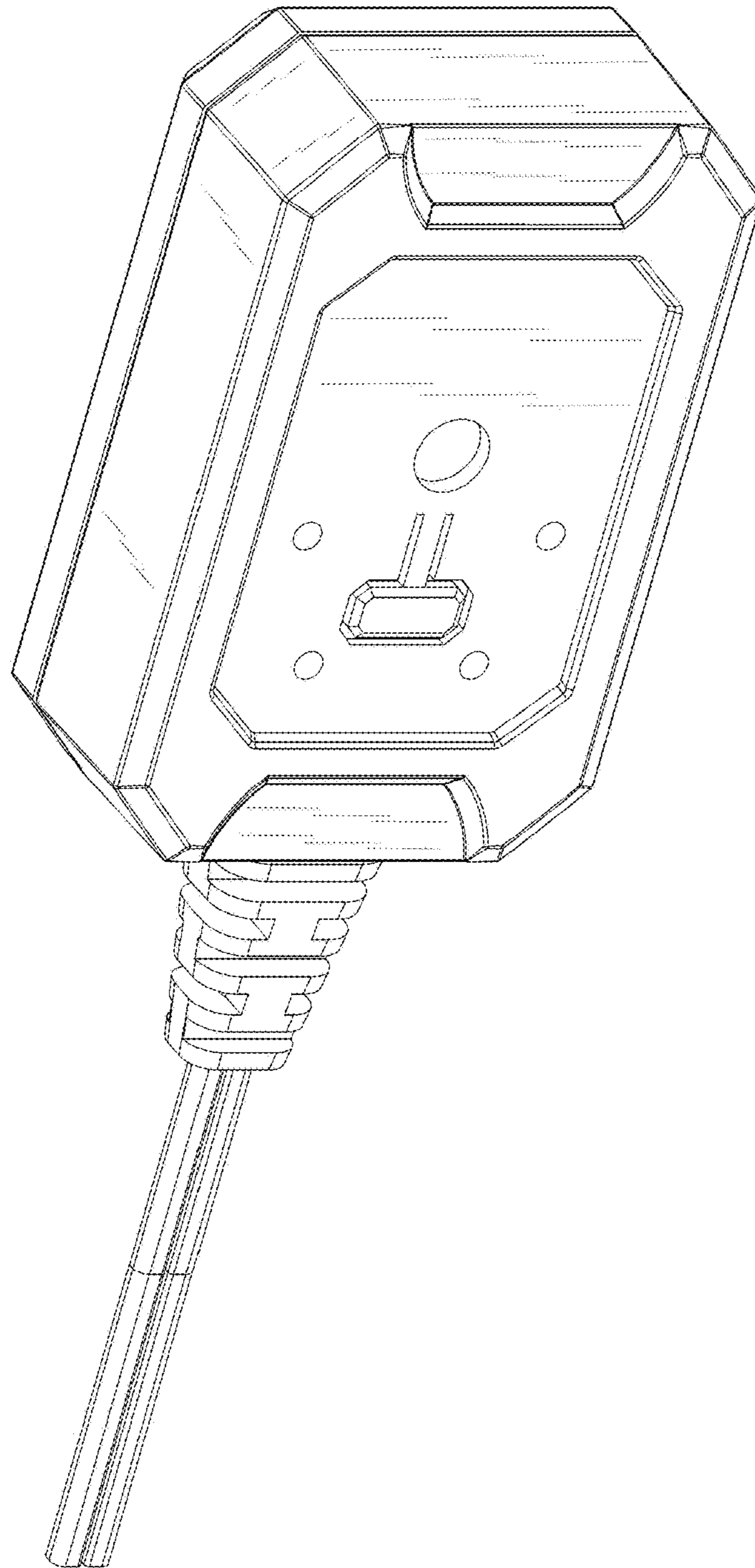


FIG. 7

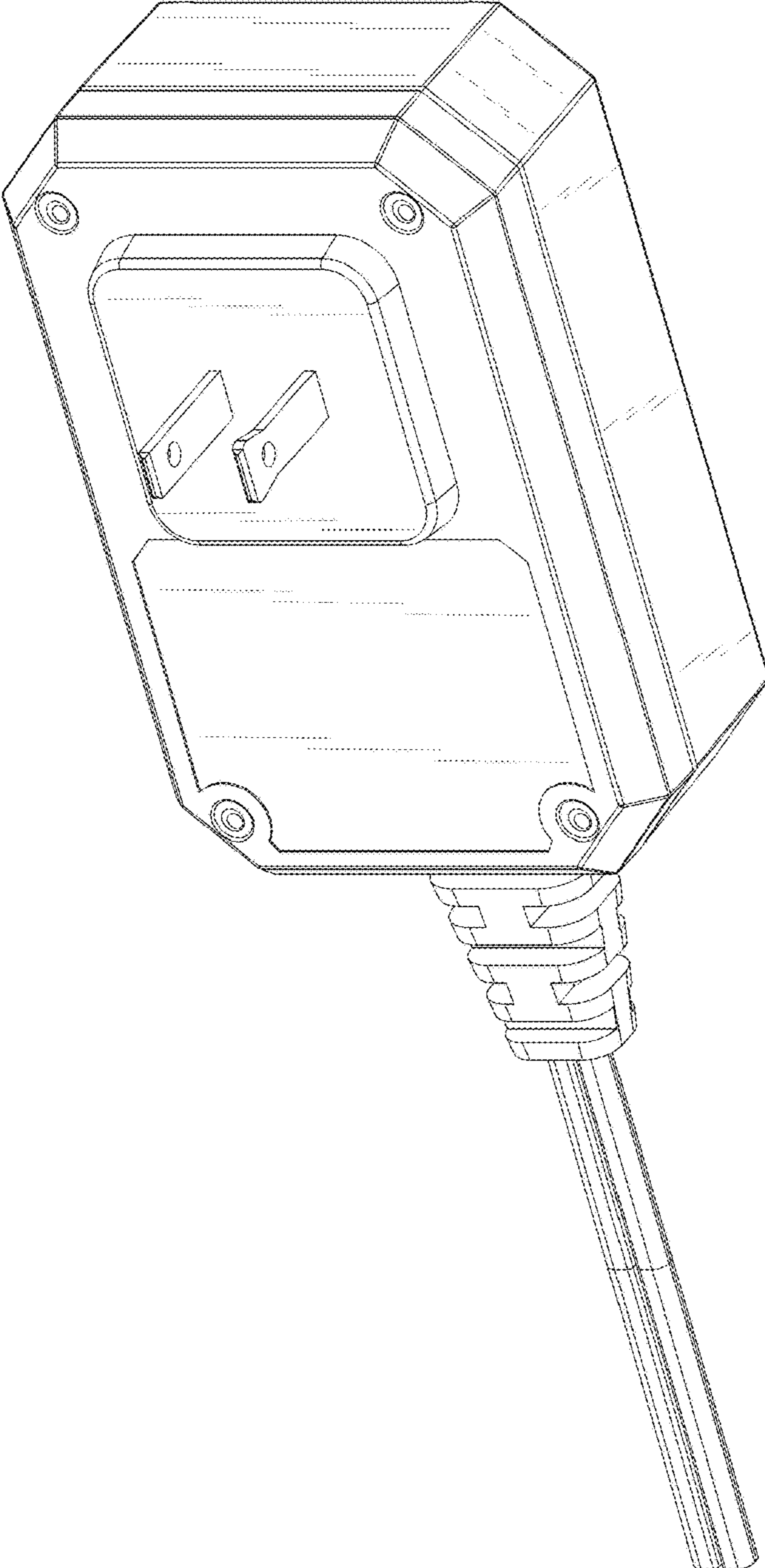


FIG. 8