



US00D821970S

(12) **United States Design Patent**  
**Loermann et al.**

(10) **Patent No.:** **US D821,970 S**  
(45) **Date of Patent:** **\*\* Jul. 3, 2018**

- (54) **WEARABLE DEVICE CHARGER**
- (71) Applicant: **BRAGI GmbH**, München (DE)
- (72) Inventors: **Arne D Loermann**, München (DE);  
**Nikolaj Hviid**, München (DE)
- (73) Assignee: **BRAGI GmbH**, München (DE)
- (\*\*) Term: **15 Years**
- (21) Appl. No.: **29/560,527**
- (22) Filed: **Apr. 7, 2016**
- (51) **LOC (11) Cl.** ..... **13-02**
- (52) **U.S. Cl.**  
USPC ..... **D13/107**
- (58) **Field of Classification Search**  
USPC ..... D13/107, 108, 110; D3/218, 264, 294,  
D3/201  
CPC ..... Y02E 60/12; Y02E 60/122; Y02E 60/124;  
Y02E 60/50; Y02E 60/10; H04R 1/10;  
H04R 1/28; H04R 5/033; H04R 1/1025;  
H01R 1/1008; H02J 7/00  
See application file for complete search history.

5,343,532 A 8/1994 Shugart  
5,363,444 A 11/1994 Norris  
5,497,339 A 3/1996 Bernard  
(Continued)

**FOREIGN PATENT DOCUMENTS**

EP 1017252 A2 7/2000  
GB 2074817 4/1981  
(Continued)

**OTHER PUBLICATIONS**

Amazon.com: Bragi—The Dash Truly Wireless Smart Earphones. Published Apr. 11, 2016. Retrieved from the internet at <<https://www.amazon.com/Bragi-Truly-Wireless-Smart-Earphones/dp/B01BHAU6QO?th=1>>, Aug. 4, 2017. 1 page.\*

(Continued)

*Primary Examiner* — Rosemary K Tarcza  
*Assistant Examiner* — Christy M Nemeth  
(74) *Attorney, Agent, or Firm* — Goodhue, Coleman & Owens, P.C.

(57) **CLAIM**

The ornamental design for wearable device charger, as shown and described.

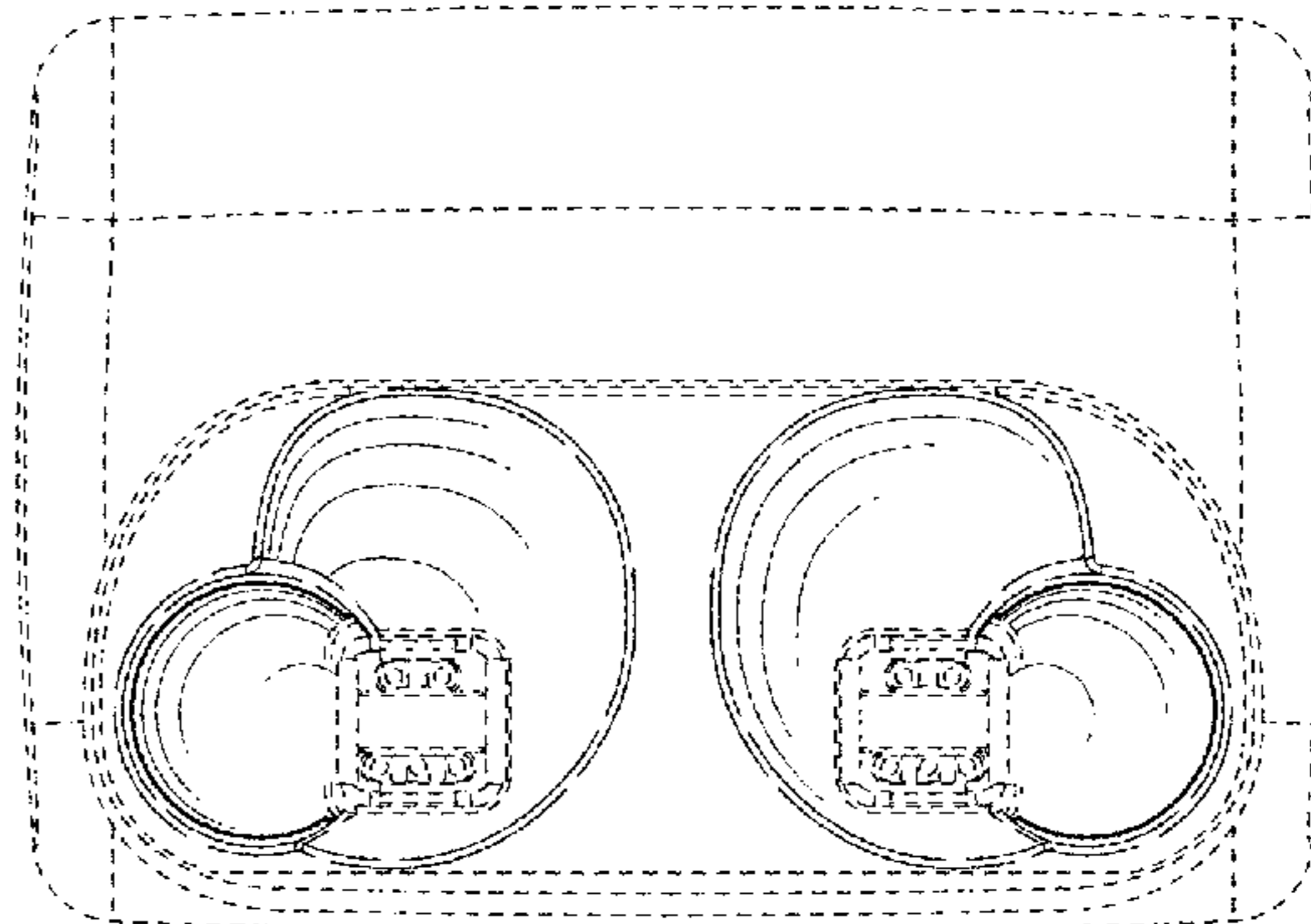
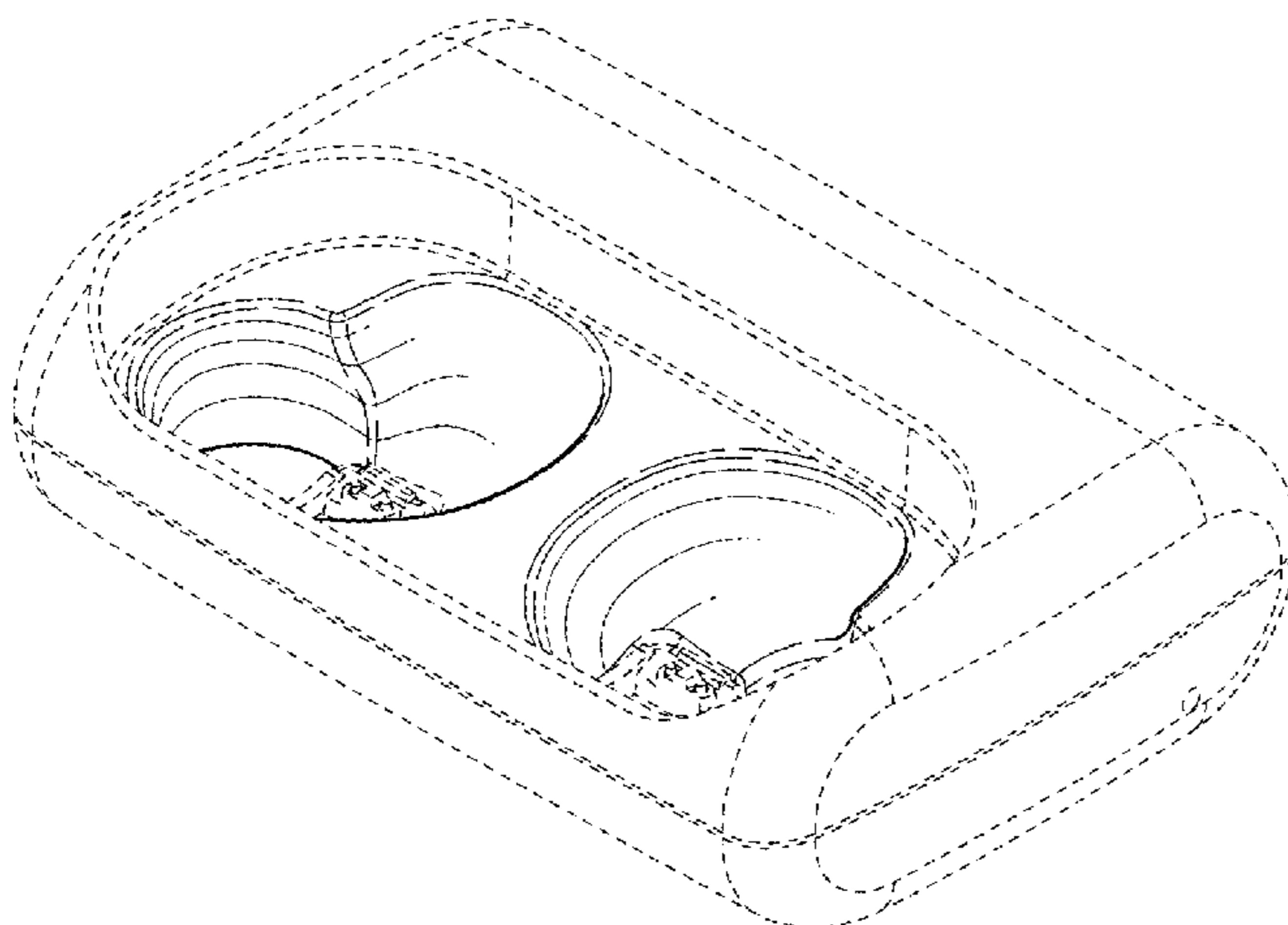
**DESCRIPTION**

FIG. 1 is a top perspective view of a wearable device charger in accordance with the present invention;  
FIG. 2 is a front view thereof;  
FIG. 3 is a rear view thereof;  
FIG. 4 is a left side view thereof;  
FIG. 5 is a right side view thereof;  
FIG. 6 is a top view thereof; and,  
FIG. 7 is a bottom view thereof.  
The broken lines in the Figures show portions of the wearable device charger and environment which form no part of the claimed design.

**1 Claim, 2 Drawing Sheets**

(56) **References Cited**  
U.S. PATENT DOCUMENTS

3,934,100 A	1/1976	Harada
4,150,262 A	4/1979	Ono
4,334,315 A	6/1982	Ono et al.
4,375,016 A	2/1983	Harada
4,588,867 A	5/1986	Konomi
4,654,883 A	3/1987	Iwata
4,682,180 A	7/1987	Gans
4,791,673 A	12/1988	Schreiber
4,865,044 A	9/1989	Wallace et al.
5,191,602 A	3/1993	Regen et al.
5,201,007 A	4/1993	Ward et al.
5,280,524 A	1/1994	Norris
5,295,193 A	3/1994	Ono
5,298,692 A	3/1994	Ikeda et al.





(56)

References Cited

U.S. PATENT DOCUMENTS

5,606,621 A 2/1997 Reiter et al.  
 5,613,222 A 3/1997 Guenther  
 5,692,059 A 11/1997 Kruger  
 5,721,783 A 2/1998 Anderson  
 5,749,072 A 5/1998 Mazurkiewicz et al.  
 5,771,438 A 6/1998 Palermo et al.  
 D397,865 S \* 9/1998 Lin ..... D3/218  
 5,802,167 A 9/1998 Hong  
 D401,552 S \* 11/1998 Tanaka ..... D13/107  
 D407,064 S \* 3/1999 Lebherz ..... D13/108  
 5,929,774 A 7/1999 Charlton  
 5,933,506 A 8/1999 Aoki et al.  
 5,949,896 A 9/1999 Nageno et al.  
 5,987,146 A 11/1999 Pluvinage et al.  
 6,021,207 A 2/2000 Puthuff et al.  
 6,054,989 A 4/2000 Robertson et al.  
 6,081,724 A 6/2000 Wilson  
 6,094,492 A 7/2000 Boesen  
 6,111,569 A 8/2000 Brusky et al.  
 6,112,103 A 8/2000 Puthuff  
 6,157,727 A 12/2000 Rueda  
 6,167,039 A 12/2000 Karlsson et al.  
 6,181,801 B1 1/2001 Puthuff et al.  
 6,208,372 B1 3/2001 Barraclough  
 6,275,789 B1 8/2001 Moser et al.  
 6,339,754 B1 1/2002 Flanagan et al.  
 6,408,081 B1 6/2002 Boesen  
 D464,039 S 10/2002 Boesen  
 6,470,893 B1 10/2002 Boesen  
 D468,299 S 1/2003 Boesen  
 D468,300 S 1/2003 Boesen  
 6,542,721 B2 4/2003 Boesen  
 6,560,468 B1 5/2003 Boesen  
 6,654,721 B2 11/2003 Handelman  
 6,664,713 B2 12/2003 Boesen  
 D486,787 S \* 2/2004 Krieger ..... D13/108  
 6,694,180 B1 2/2004 Boesen  
 6,718,043 B1 4/2004 Boesen  
 6,738,485 B1 5/2004 Boesen  
 D491,364 S \* 6/2004 Vish ..... D3/218  
 6,748,095 B1 6/2004 Goss  
 6,754,358 B1 6/2004 Boesen et al.  
 6,784,873 B1 8/2004 Boesen et al.  
 6,823,195 B1 11/2004 Boesen  
 6,852,084 B1 2/2005 Boesen  
 6,879,698 B2 4/2005 Boesen  
 D504,868 S \* 5/2005 Lodato ..... D13/107  
 6,892,082 B2 5/2005 Boesen  
 6,920,229 B2 7/2005 Boesen  
 D508,458 S \* 8/2005 Solland ..... D13/108  
 6,952,483 B2 10/2005 Boesen et al.  
 6,987,986 B2 1/2006 Boesen  
 D520,447 S \* 5/2006 Liu ..... D13/108  
 D521,927 S \* 5/2006 Franck ..... D13/108  
 D522,452 S \* 6/2006 Sugimoto ..... D13/119  
 D523,810 S \* 6/2006 Doong ..... D13/108  
 D529,288 S \* 10/2006 Ham ..... D3/274  
 7,136,282 B1 11/2006 Rebeske  
 7,203,331 B2 4/2007 Boesen  
 7,209,569 B2 4/2007 Boesen  
 7,215,790 B2 5/2007 Boesen et al.  
 D561,097 S \* 2/2008 Koeske ..... D13/119  
 D570,593 S \* 6/2008 Justiss ..... D3/201  
 D575,955 S \* 9/2008 Maraia ..... D3/263  
 D576,100 S \* 9/2008 Wang ..... D13/110  
 7,463,902 B2 12/2008 Boesen  
 7,508,411 B2 3/2009 Boesen  
 D604,501 S \* 11/2009 Lee ..... D3/201  
 D612,329 S \* 3/2010 Guccione ..... D13/108  
 D617,268 S \* 6/2010 Yen ..... D13/108  
 D637,584 S \* 5/2011 Peller ..... D14/223  
 7,983,628 B2 7/2011 Boesen  
 D650,738 S \* 12/2011 Leung ..... D13/107  
 D653,206 S \* 1/2012 Heine ..... D13/108  
 D656,092 S \* 3/2012 Nomi ..... D13/107

D656,093 S \* 3/2012 Nomi ..... D13/107  
 8,140,357 B1 3/2012 Boesen  
 D659,991 S \* 5/2012 Long, Jr. .... D3/201  
 D675,158 S \* 1/2013 Smith ..... D13/110  
 D676,377 S \* 2/2013 Nokuo ..... D13/108  
 D676,808 S \* 2/2013 Zhou ..... D13/108  
 D677,219 S \* 3/2013 Nokuo ..... D13/108  
 D685,771 S \* 7/2013 Bertenthal ..... D14/223  
 D691,372 S \* 10/2013 Chun ..... D3/294  
 D691,947 S \* 10/2013 Cole ..... D13/108  
 D695,014 S \* 12/2013 Mori ..... D3/264  
 D709,384 S \* 7/2014 Vural ..... D9/721  
 D720,330 S \* 12/2014 Stevinson ..... D14/205  
 D720,718 S \* 1/2015 Stevinson ..... D14/205  
 D736,155 S \* 8/2015 Alesi ..... D13/110  
 D755,501 S \* 5/2016 Nayak ..... D3/201  
 D761,020 S \* 7/2016 O'Hara ..... D3/264  
 D772,572 S \* 11/2016 Palmberg ..... D3/201  
 D774,760 S \* 12/2016 Martinetti ..... D3/294  
 D775,818 S \* 1/2017 Ingraham ..... D3/218  
 2001/0005197 A1 6/2001 Mishra et al.  
 2001/0027121 A1 10/2001 Boesen  
 2001/0056350 A1 12/2001 Calderone et al.  
 2002/0002413 A1 1/2002 Tokue  
 2002/0007510 A1 1/2002 Mann  
 2002/0010590 A1 1/2002 Lee  
 2002/0030637 A1 3/2002 Mann  
 2002/0046035 A1 4/2002 Kitahara et al.  
 2002/0057810 A1 5/2002 Boesen  
 2002/0076073 A1 6/2002 Taenzer et al.  
 2002/0118852 A1 8/2002 Boesen  
 2003/0065504 A1 4/2003 Kraemer et al.  
 2003/0100331 A1 5/2003 Dress et al.  
 2003/0104806 A1 6/2003 Ruef et al.  
 2003/0115068 A1 6/2003 Boesen  
 2003/0125096 A1 7/2003 Boesen  
 2003/0218064 A1 11/2003 Conner et al.  
 2004/0070564 A1 4/2004 Dawson et al.  
 2004/0160511 A1 8/2004 Boesen  
 2005/0043056 A1 2/2005 Boesen  
 2005/0125320 A1 6/2005 Boesen  
 2005/0148883 A1 7/2005 Boesen  
 2005/0165663 A1 7/2005 Razumov  
 2005/0196009 A1 9/2005 Boesen  
 2005/0251455 A1 11/2005 Boesen  
 2005/0266876 A1 12/2005 Boesen  
 2006/0029246 A1 2/2006 Boesen  
 2006/0074671 A1 4/2006 Farmaner et al.  
 2006/0074808 A1 4/2006 Boesen  
 2008/0254780 A1 10/2008 Kuhl et al.  
 2015/0110587 A1 4/2015 Hori  
 2015/0295437 A1 \* 10/2015 Wang ..... H02J 7/0044  
 455/573  
 2016/0072558 A1 3/2016 Hirsch et al.  
 2016/0345626 A1 \* 12/2016 Wong ..... A24F 47/008  
 2017/0064428 A1 \* 3/2017 Hirsch ..... G06F 1/163  
 2017/0064429 A1 \* 3/2017 Hirsch ..... H04R 1/1025  
 2017/0064433 A1 \* 3/2017 Hirsch ..... H04R 1/1041  
 2017/0094399 A1 \* 3/2017 Chandramohan ..... A45C 13/02  
 2017/0195770 A1 \* 7/2017 Cheney ..... H04R 1/1025  
 2017/0208393 A1 \* 7/2017 Boesen ..... H04R 5/033

FOREIGN PATENT DOCUMENTS

JP 06292195 10/1998  
 WO 2014043179 A2 3/2014  
 WO 2015110577 A1 7/2015  
 WO 2015110587 A1 7/2015

OTHER PUBLICATIONS

Amazon.com: Cobble Pro Wireless Earbuds. Published Sep. 29, 2011. Retrieved from the internet at <<https://www.amazon.com/Cobble-Pro-Bluetooth-Cancelling-Sweatproof/dp/B01MT5AZ9N/>>, Aug. 4, 2017. 1 page.\*  
 Kickstarter.com: The Dash. Published Mar. 6, 2015. Retrieved from the internet at <<https://www.kickstarter.com/projects/hellobragi/>>

(56)

**References Cited**

## OTHER PUBLICATIONS

the-dash-wireless-smart-in-ear-headphones/posts/1157007>, Aug. 4, 2017. 6 pages.\*

Kickstarter.com: Bragi Update. Published Jun. 5, 2015. Retrieved from the internet at <<https://www.kickstarter.com/projects/hellobragi/the-dash-wireless-smart-in-ear-headphones/posts/1254265>>, Aug. 4, 2017. 11 pages.\*

Announcing the \$3,333,333 Stretch Goal (Feb. 24, 2014).

Bragi Is On Facebook (2014).

Bragi Update—Arrival of Prototype Chassis Parts—More People—Awesomeness (May 13, 2014).

Bragi Update—Chinese New Year, Design Verification, Charging Case, More People, Timeline (Mar. 6, 2015).

Bragi Update—First Sleeves From Prototype Tool—Software Development Kit (Jun. 5, 2014).

Bragi Update—Let's Get Ready to Rumble, A Lot to Be Done Over Christmas (Dec. 22, 2014).

Bragi Update—Memories From April—Update on Progress (Sep. 16, 2014).

Bragi Update—Memories from May—Update on Progress—Sweet (Oct. 13, 2014).

Bragi Update—Memories From One Month Before Kickstarter—Update on Progress (Jul. 10, 2014).

Bragi Update—Memories From the First Month of Kickstarter—Update on Progress (Aug. 1, 2014).

Bragi Update—Memories From the Second Month of Kickstarter—Update on Progress (Aug. 22, 2014).

Bragi Update—New People @Bragi—Prototypes (Jun. 26, 2014).

Bragi Update—Office Tour, Tour to China, Tour to CES (Dec. 11, 2014).

Bragi Update—Status on Wireless, Bits and Pieces, Testing—Oh Yeah, Timeline (Apr. 24, 2015).

Bragi Update—The App Preview, The Charger, The SDK, Bragi Funding and Chinese New Year (Feb. 11, 2015).

Bragi Update—What We Did Over Christmas, Las Vegas & CES (Jan. 19, 2014).

Bragi Update—Years of Development, Moments of Utter Joy and Finishing What We Started (Jun. 5, 2015).

Bragi Update—Alpha 5 and Back to China, Backer Day, On Track (May 16, 2015).

Bragi Update—Beta2 Production and Factory Line (Aug. 20, 2015).

Bragi Update—Certifications, Production, Ramping Up (Nov. 13, 2015).

Bragi Update—Developer Units Shipping and Status (Oct. 5, 2015).

Bragi Update—Developer Units Started Shipping and Status (Oct. 19, 2015).

Bragi Update—Developer Units, Investment, Story and Status (Nov. 2, 2015).

Bragi Update—Getting Close (Aug. 6, 2014).

Bragi Update—On Track, Design Verification, How It Works and What's Next (Jul. 15, 2015).

Bragi Update—On Track, On Track and Gems Overview (Jun. 24, 2015).

Bragi Update—Status on Wireless, Supply, Timeline and Open House @Bragi (Apr. 1, 2015).

Bragi Update—Unpacking Video, Reviews on Audio Perform and Boy Are We Getting Close (Sep. 10, 2015).

Last Push Before the Kickstarter Campaign Ends on Monday 4pm CET (Mar. 28, 2014).

Staab, Wayne J., et al., "A One-Size Disposable Hearing Aid is Introduced", *The Hearing Journal* 53(4):36-41 Apr. 2000.

Stretchgoal—It's Your Dash (Feb. 14, 2014).

Stretchgoal—The Carrying Case for the Dash (Feb. 12, 2014).

Stretchgoal—Windows Phone Support (Feb. 17, 2014).

The Dash + The Charging Case & The Bragi News (Feb. 21, 2014).

The Dash—A Word From Our Software, Mechanical and Acoustics Team + An Update (Mar. 11, 2014).

Update From Bragi—\$3,000,000—Yipee (Mar. 22, 2014).

\* cited by examiner



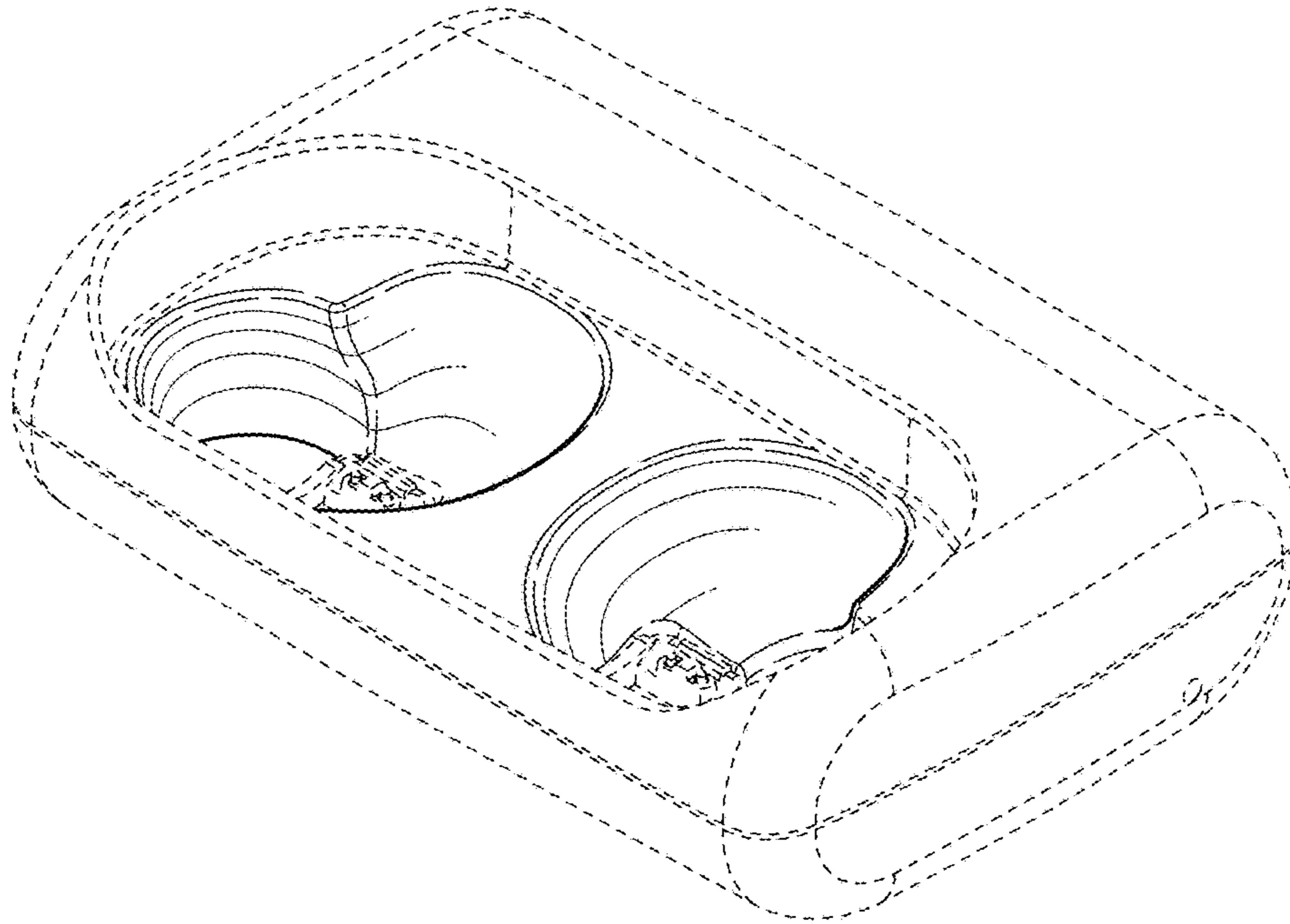


FIG. 1

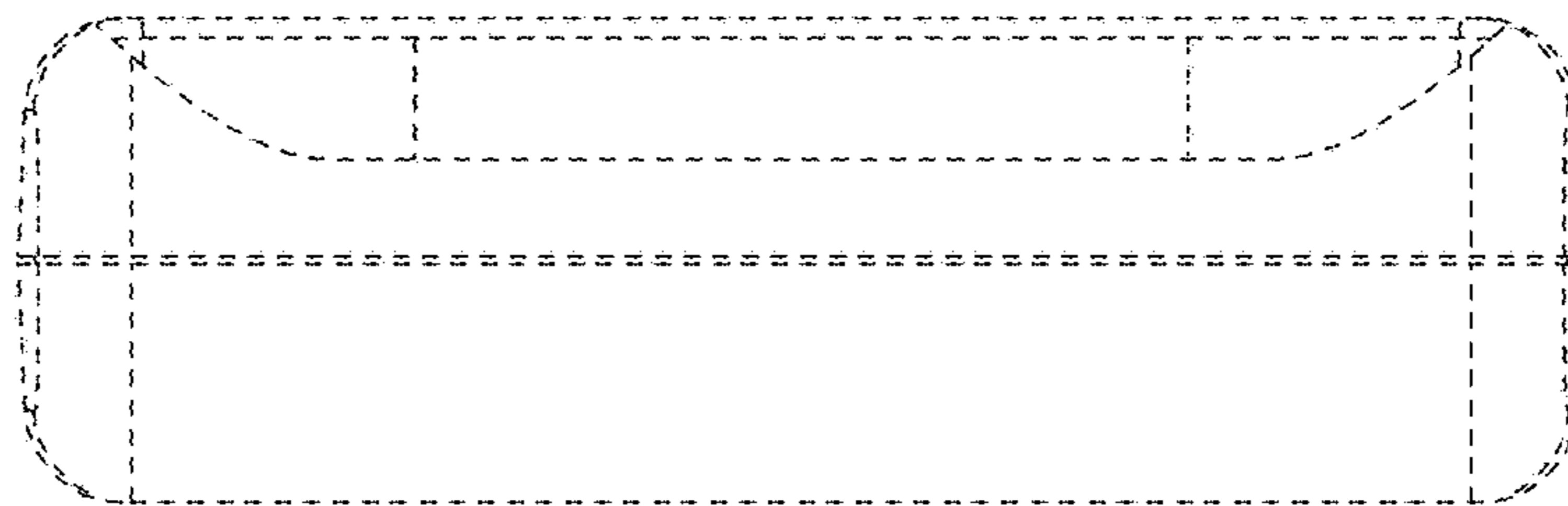


FIG. 2

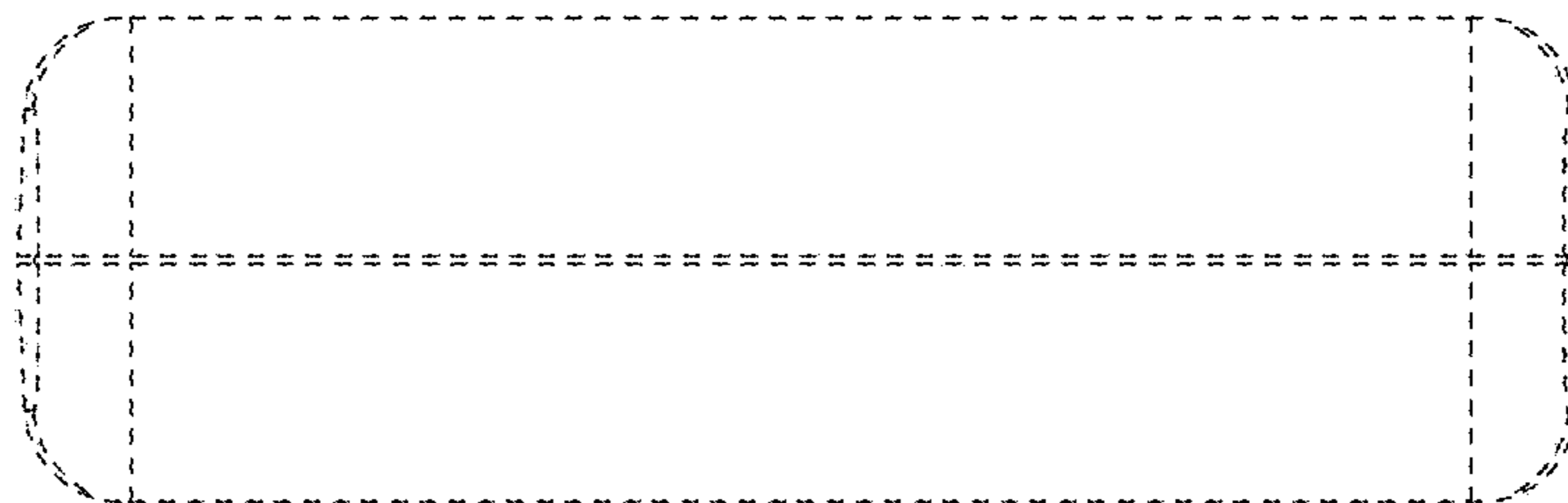


FIG. 3

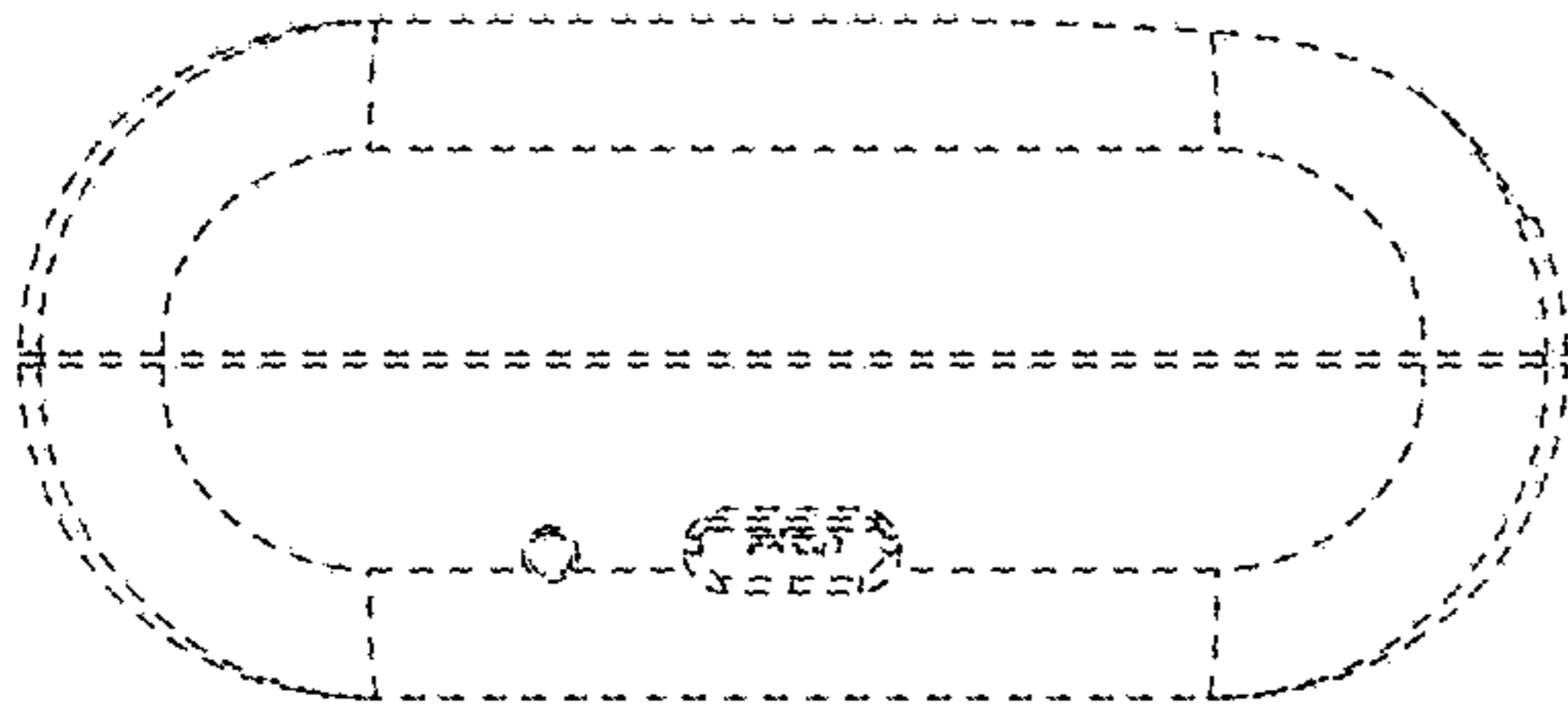


FIG. 4

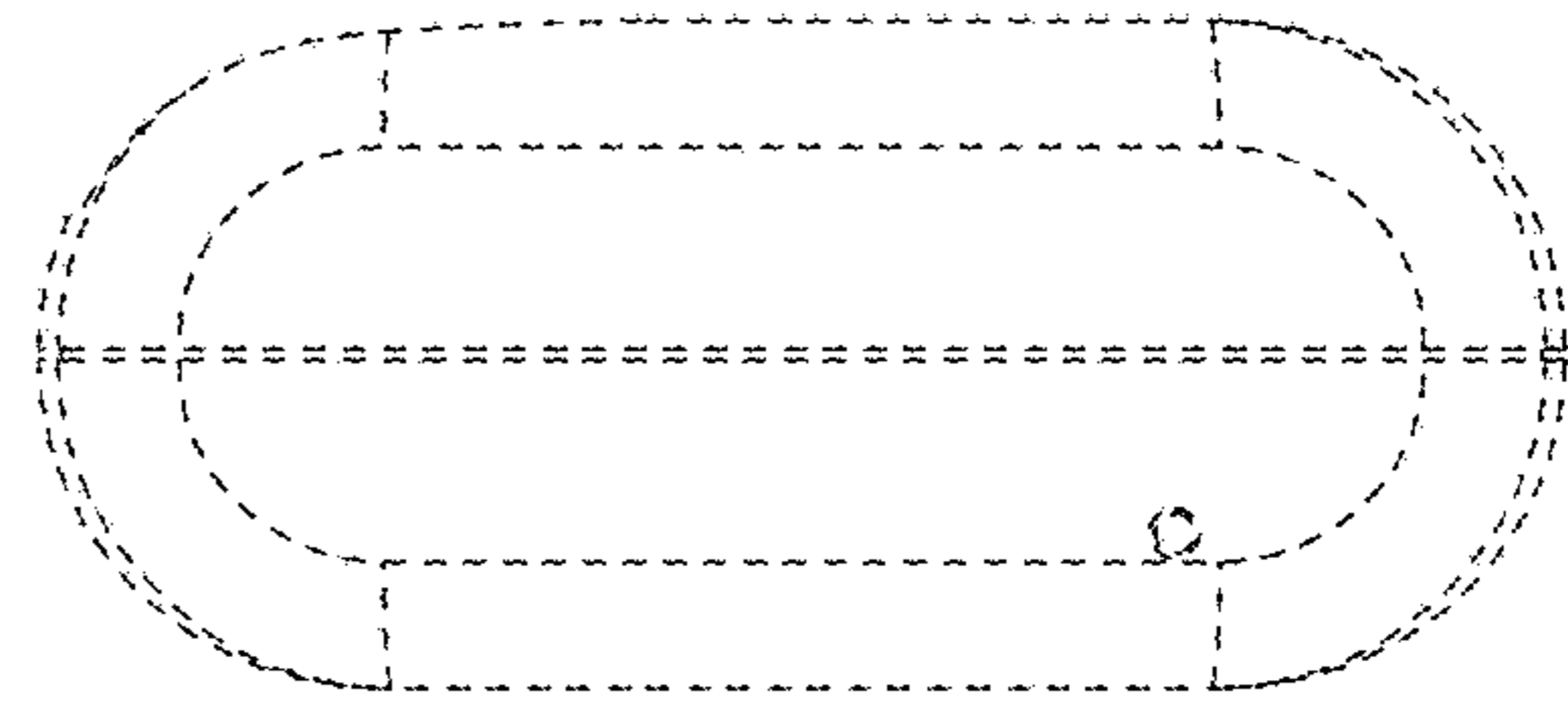


FIG. 5

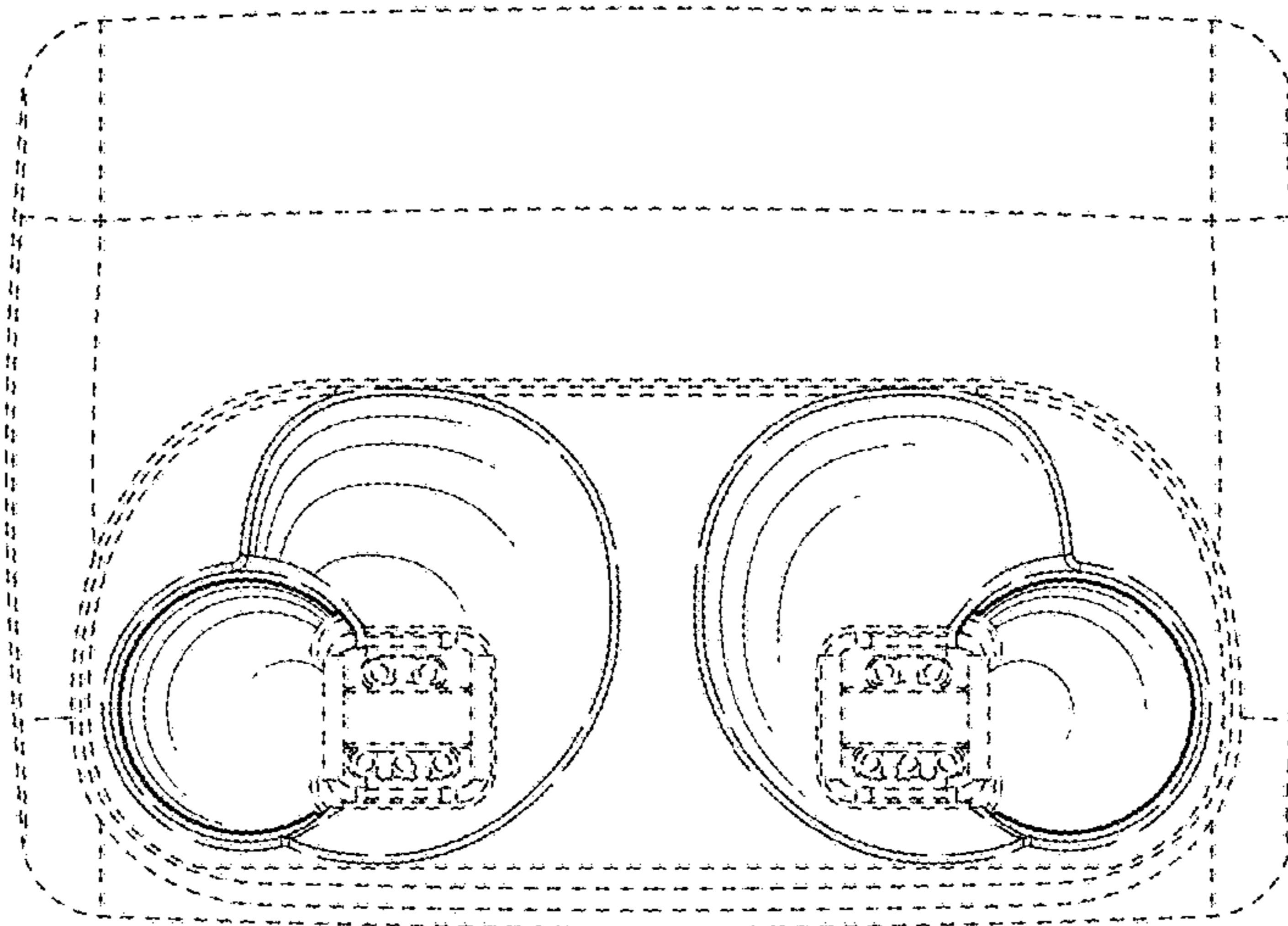


FIG. 6

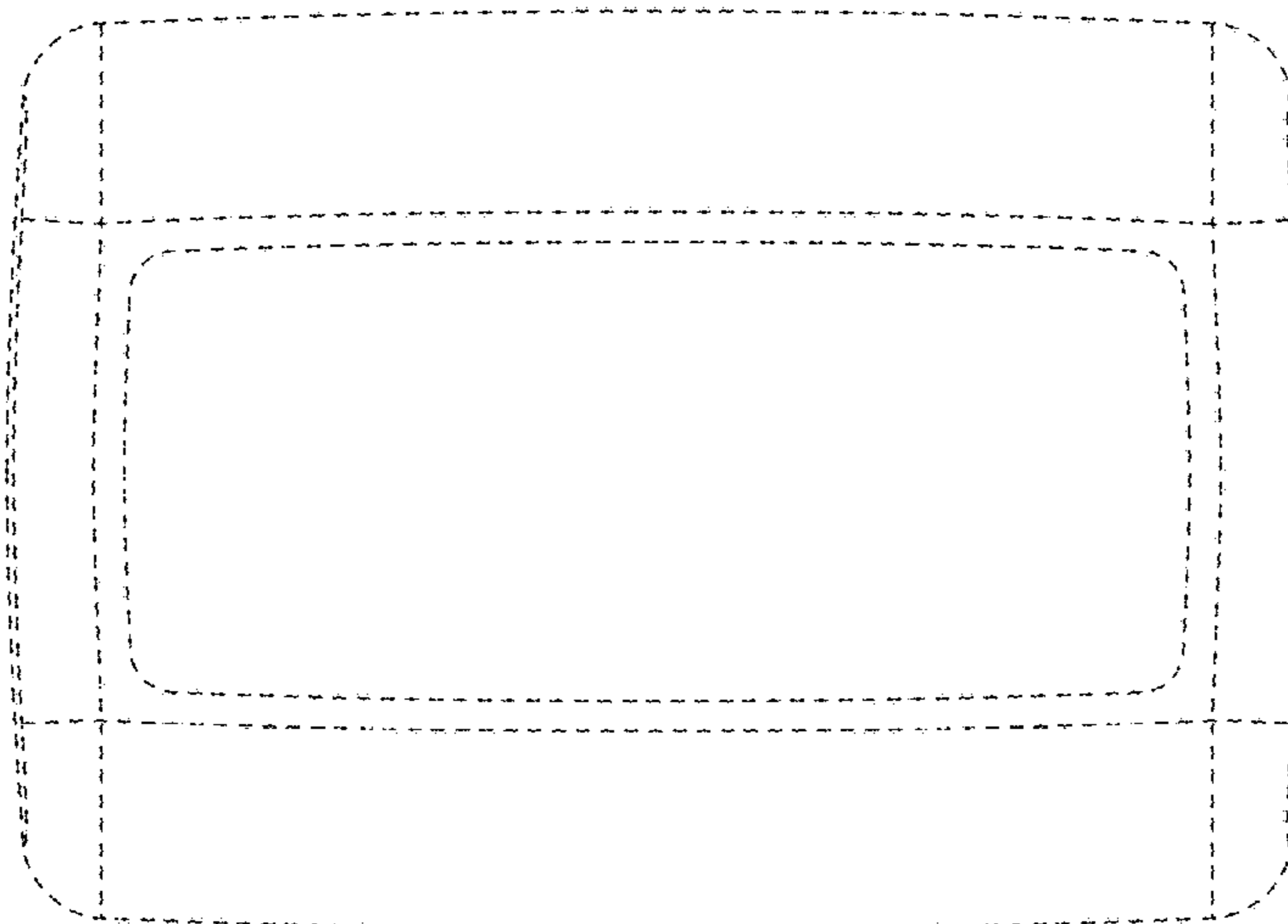


FIG. 7