



US00D821969S

(12) **United States Design Patent**
Jiang

(10) **Patent No.:** **US D821,969 S**

(45) **Date of Patent:** **** Jul. 3, 2018**

(54) **BATTERY CASE**

(71) Applicant: **Gaoyun Jiang**, Goleta, CA (US)

(72) Inventor: **Gaoyun Jiang**, Goleta, CA (US)

(**) Term: **15 Years**

(21) Appl. No.: **29/605,432**

(22) Filed: **May 25, 2017**

(51) **LOC (11) Cl.** **13-02**

(52) **U.S. Cl.**
USPC **D13/103**

(58) **Field of Classification Search**
USPC D13/102–106, 118–119, 184, 199
CPC Y02E 60/12; Y02E 60/122; Y02E 60/124;
Y02E 60/50; H01M 2/02; H01M 2/022;
H01M 2/0202; H01M 2/0207; H01M
2/0212; H01M 2/1061; H01M 2/1022;
H01M 2/1055; H01M 2/1066; H01M
2/105; H01M 2/204; H01M 10/4257;
H01M 10/0436; H01M 10/48
See application file for complete search history.

(56) **References Cited**

U.S. PATENT DOCUMENTS

D415,098 S *	10/1999	Zimmer	D13/103
D504,393 S *	4/2005	Yan	D13/103
D577,668 S *	9/2008	Buck	D13/110

D609,182 S *	2/2010	Ladewig	D13/118
D629,746 S *	12/2010	Workman	D13/103
D638,787 S *	5/2011	Tanaka	D13/103
D689,432 S *	9/2013	Itoh	D13/103
D704,638 S *	5/2014	Inskeep	D13/110
D750,557 S *	3/2016	Yamachi	D13/103
D761,203 S *	7/2016	Inskeep	D13/110
D786,191 S *	5/2017	McSweyn	D13/103
D793,338 S *	8/2017	Zheng	D13/102
D797,662 S *	9/2017	Constin	D13/103

* cited by examiner

Primary Examiner — Rosemary K Tarcza

(57) **CLAIM**

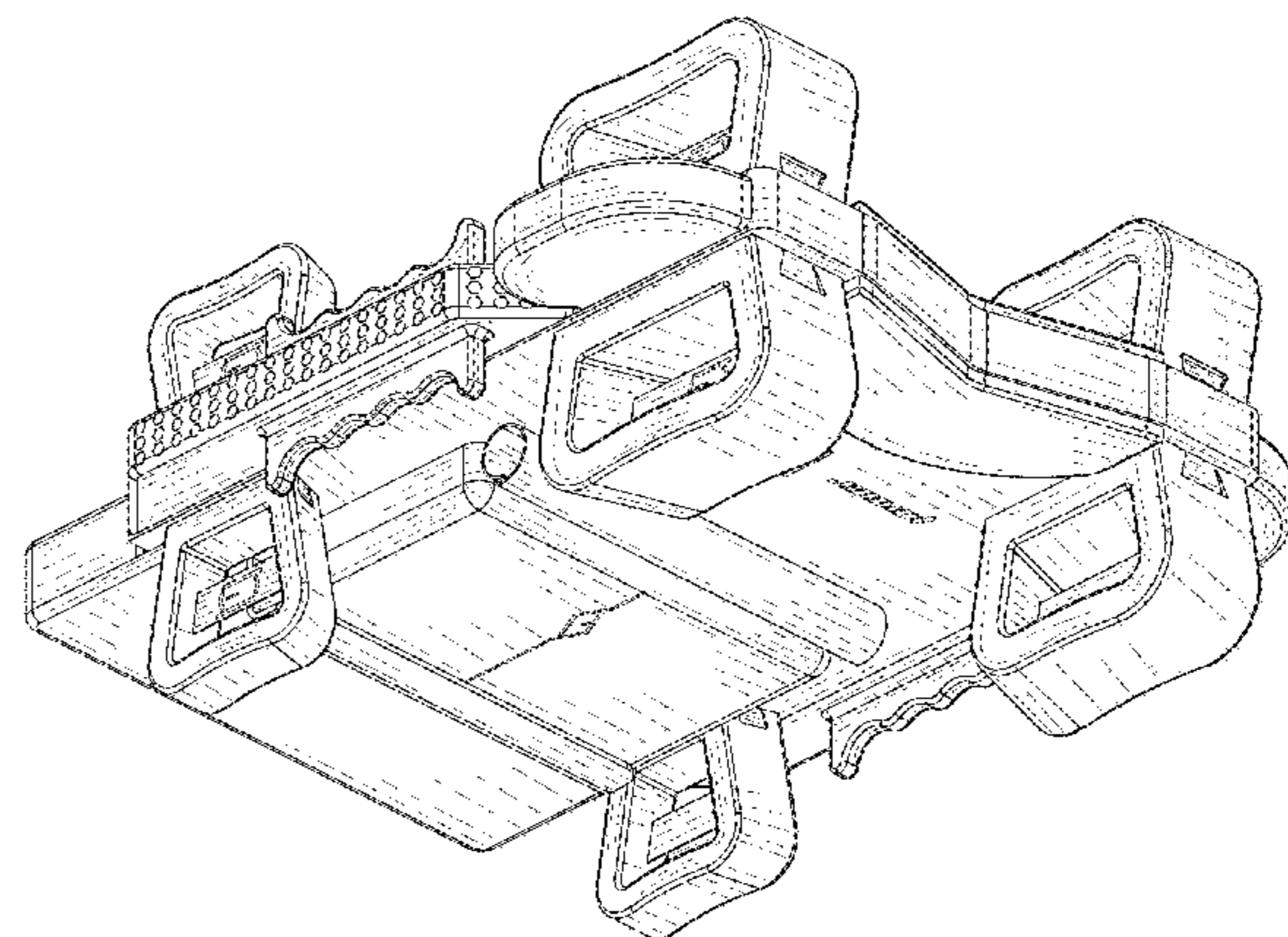
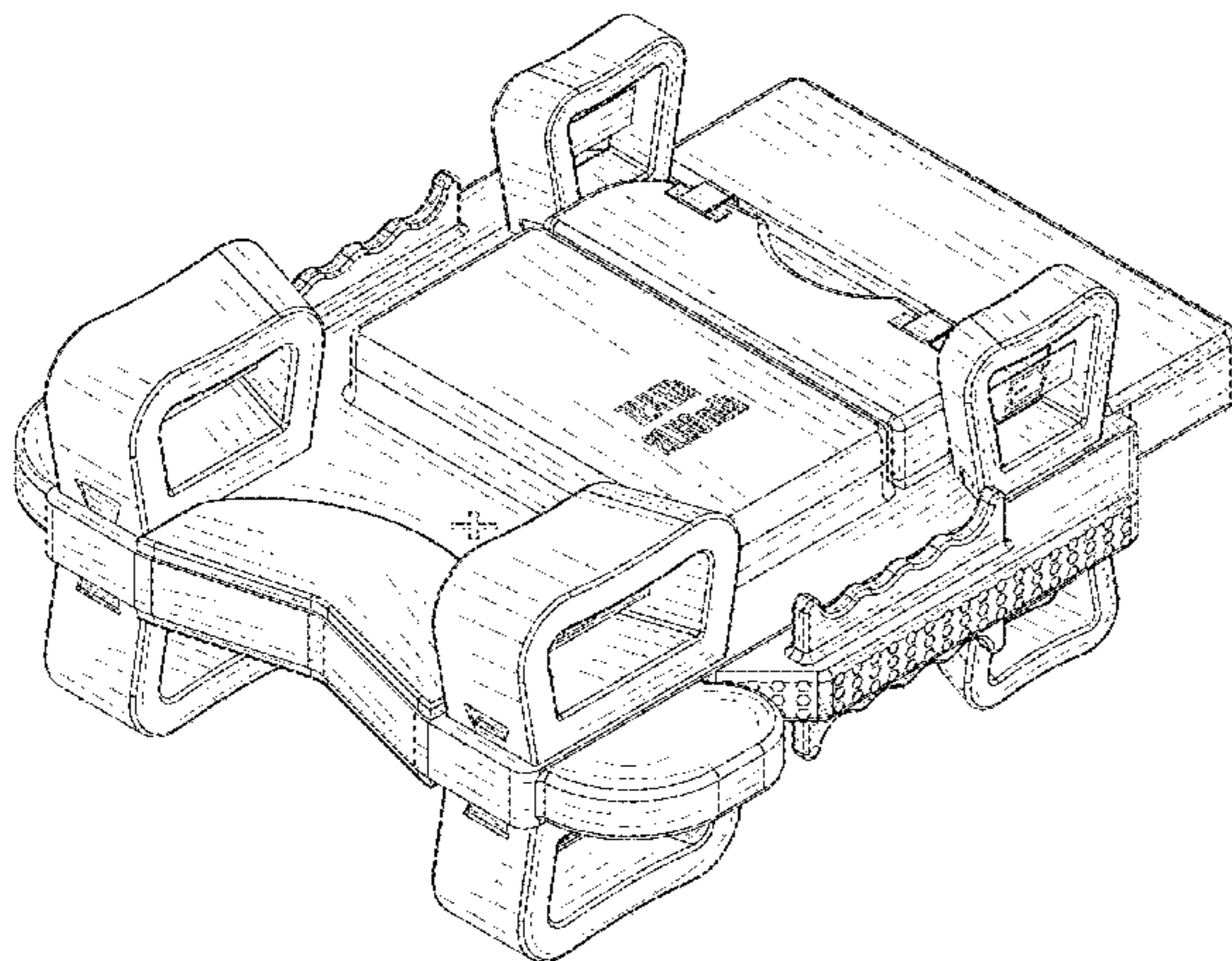
The ornamental design for a battery case, as shown and described.

DESCRIPTION

FIG. 1 is a front top perspective view of a battery case; FIG. 2 is a front bottom perspective view thereof; FIG. 3 is a rear top perspective view thereof; FIG. 4 is a front elevational view thereof; FIG. 5 is a rear elevational view thereof; FIG. 6 is a right side elevational view thereof; FIG. 7 is a left side elevational view thereof; FIG. 8 is a top plan view thereof; and, FIG. 9 is a bottom plan view thereof.

The broken line showing of battery case markings is included for the purpose of illustrating environmental structure and forms no part of the claimed design.

1 Claim, 9 Drawing Sheets



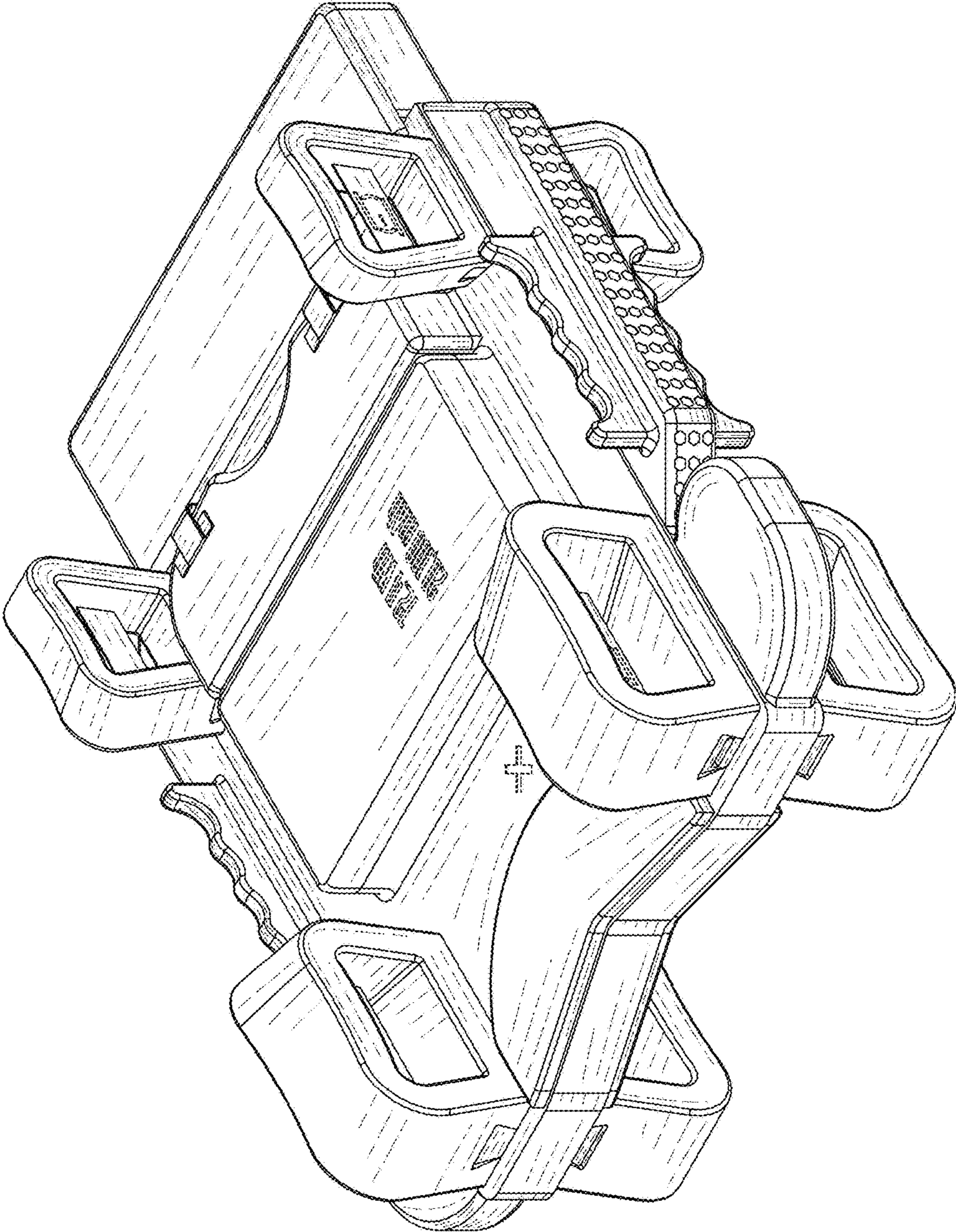


FIG. 1

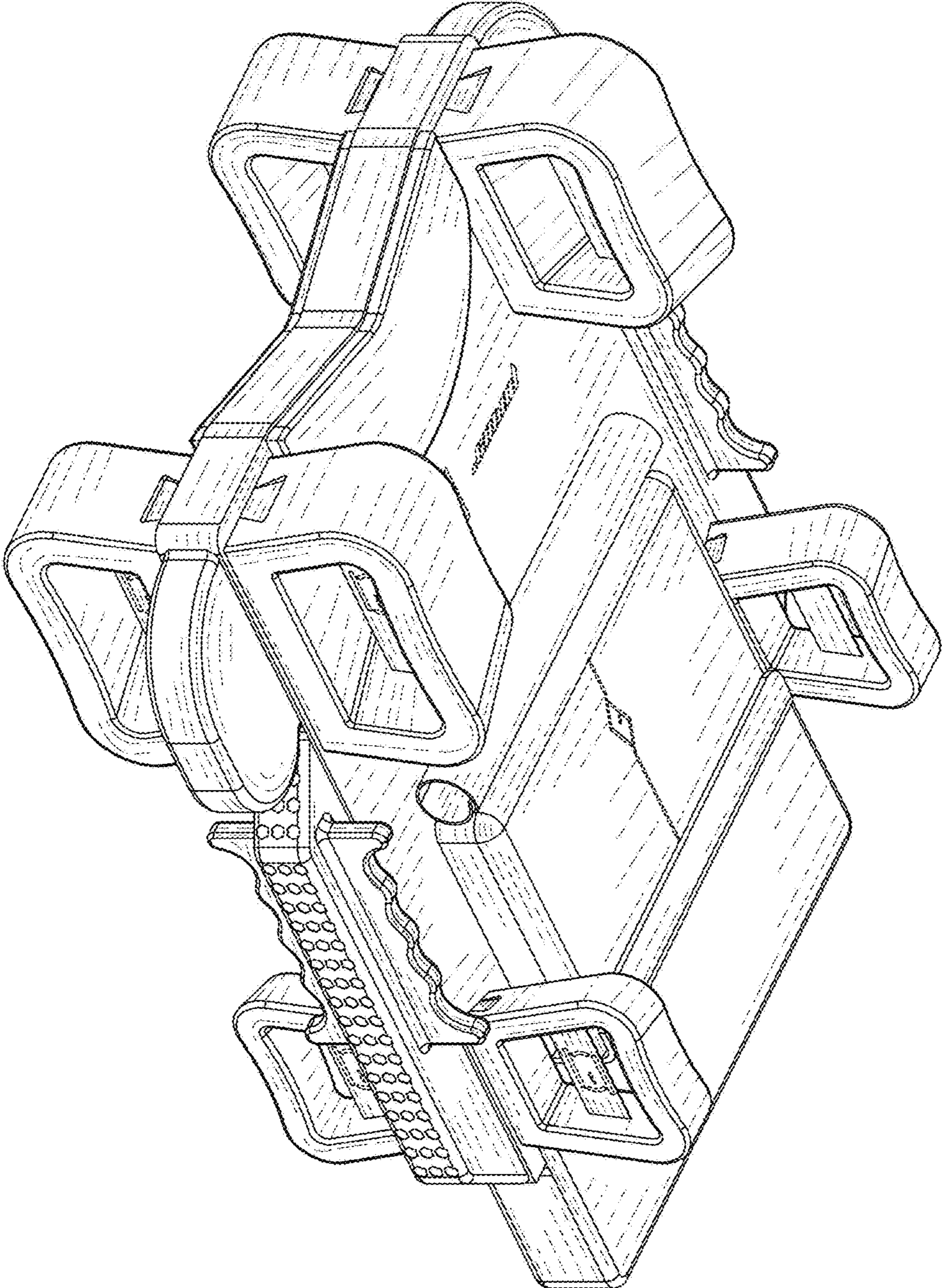


FIG. 2

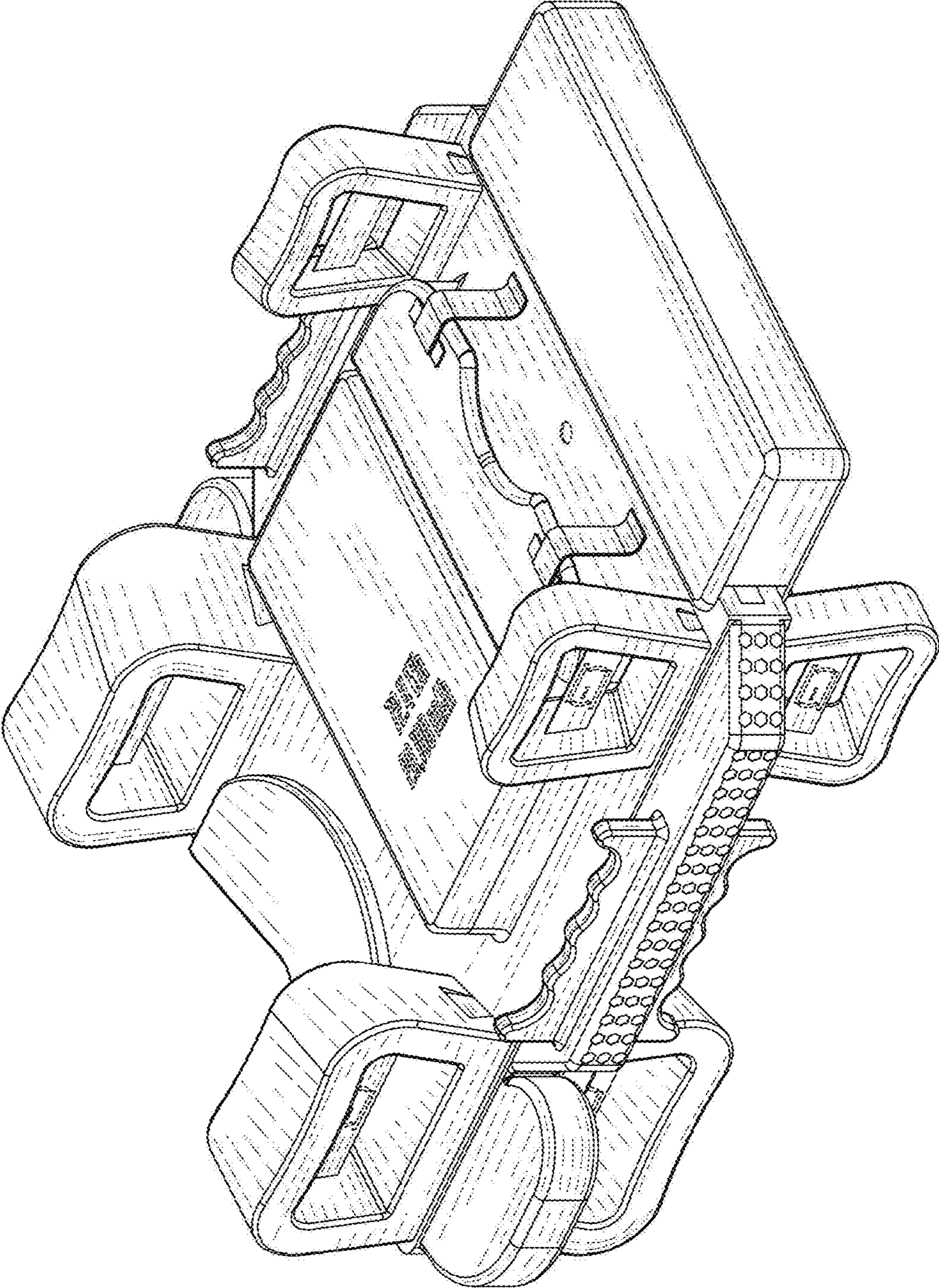


FIG. 3

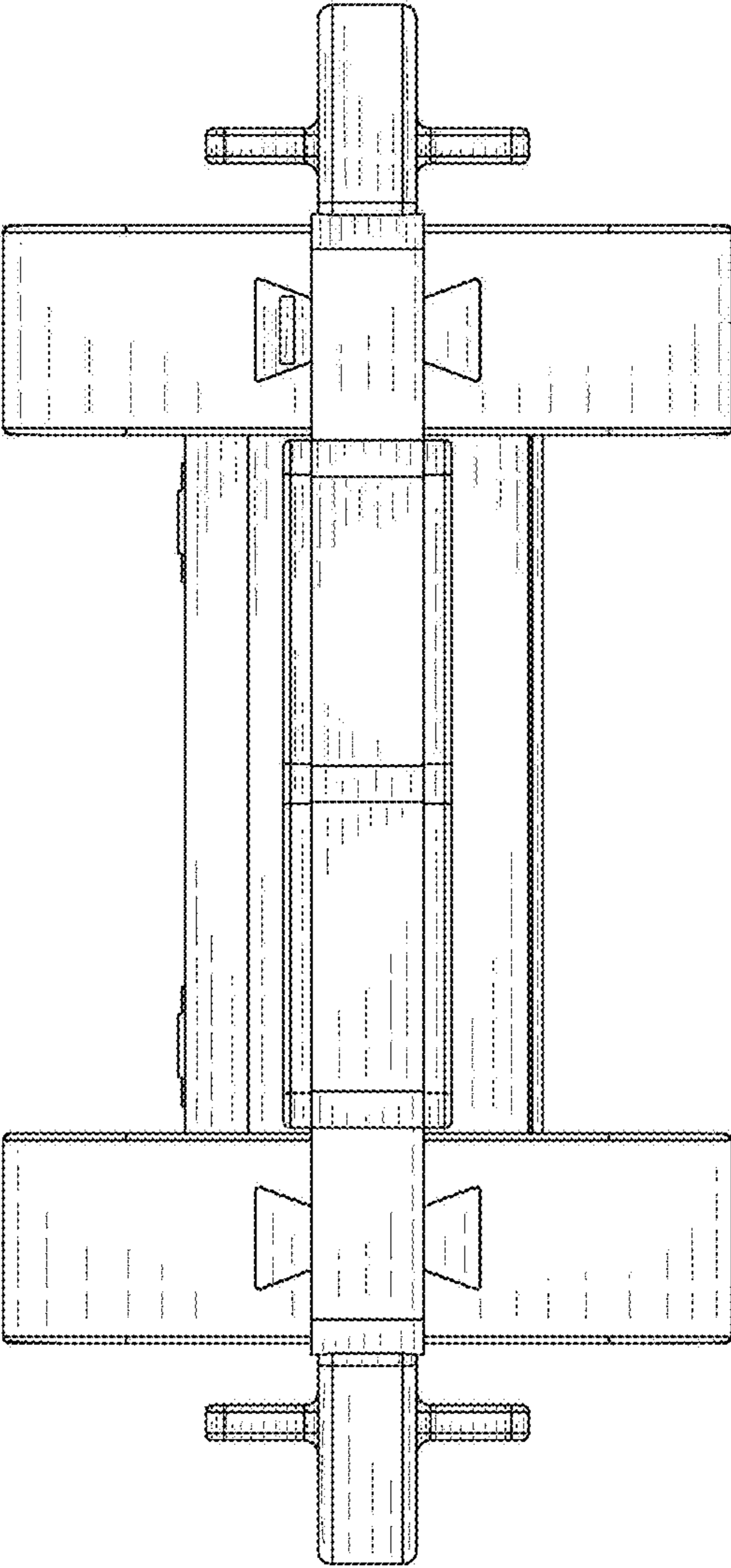


FIG. 4

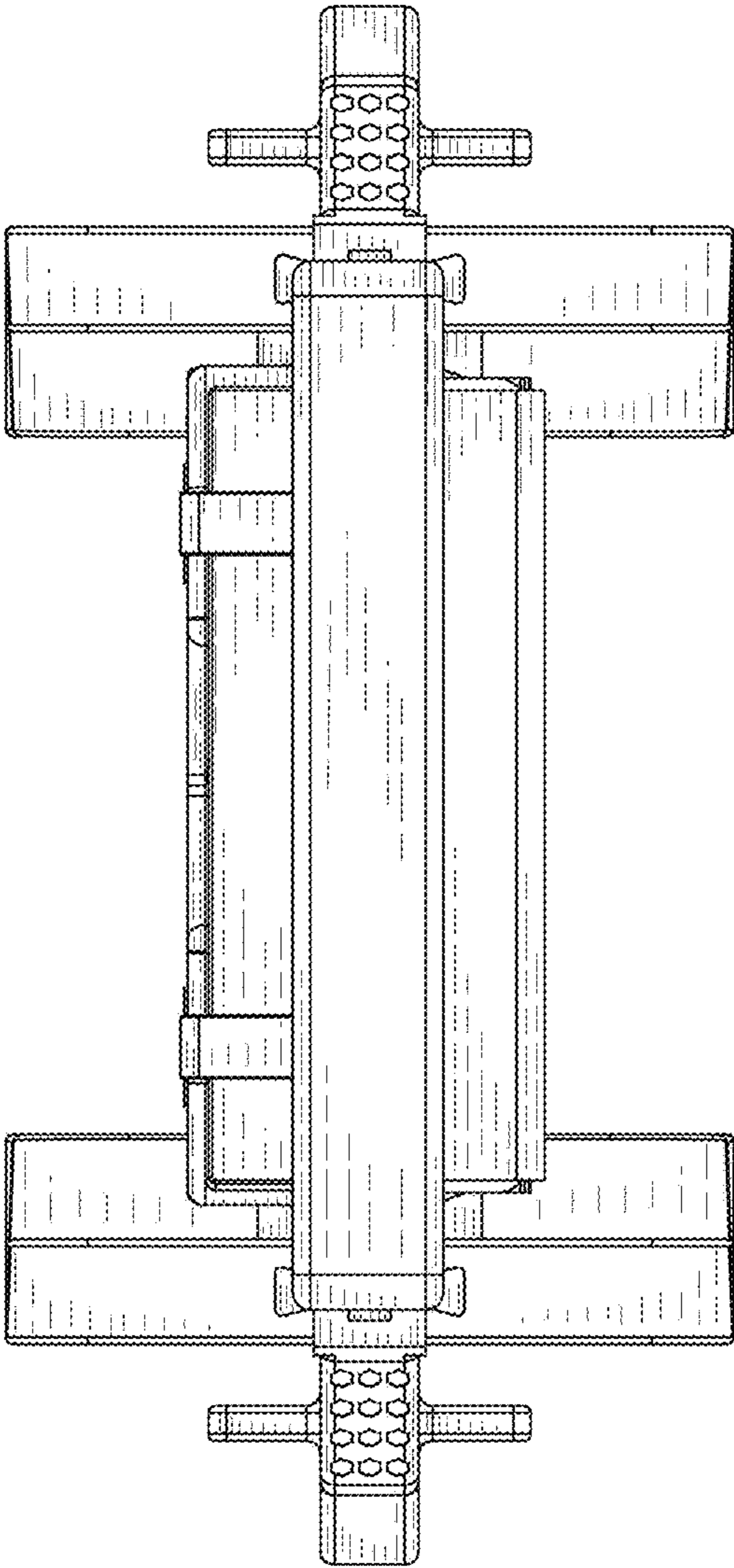


FIG. 5

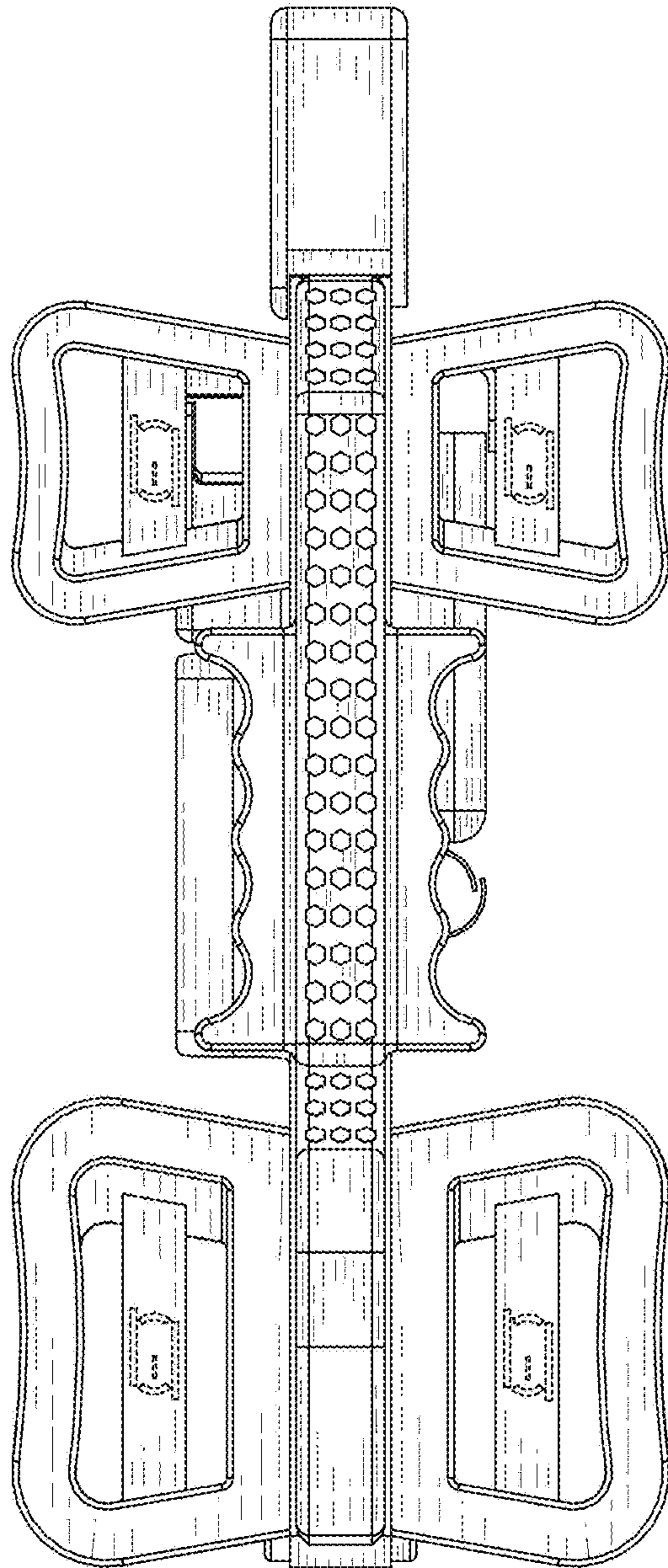


FIG. 6

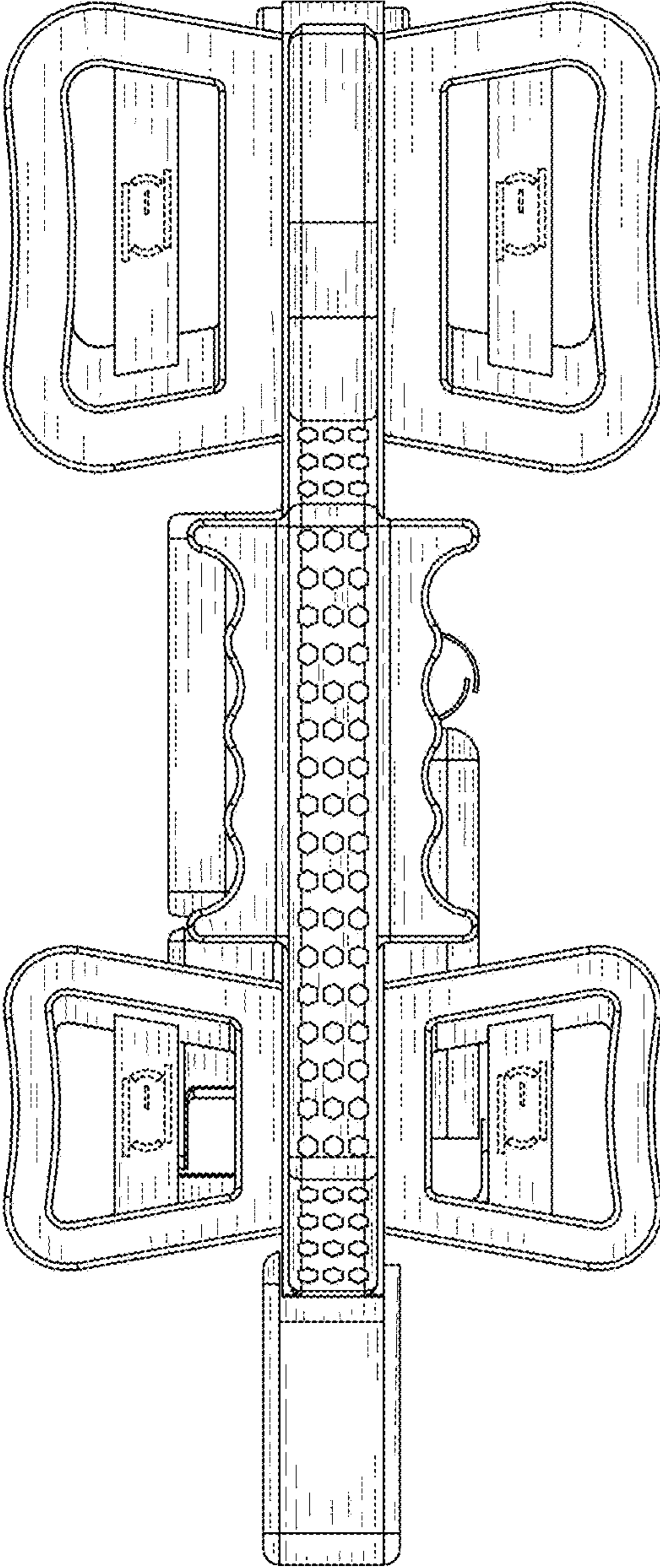


FIG. 7

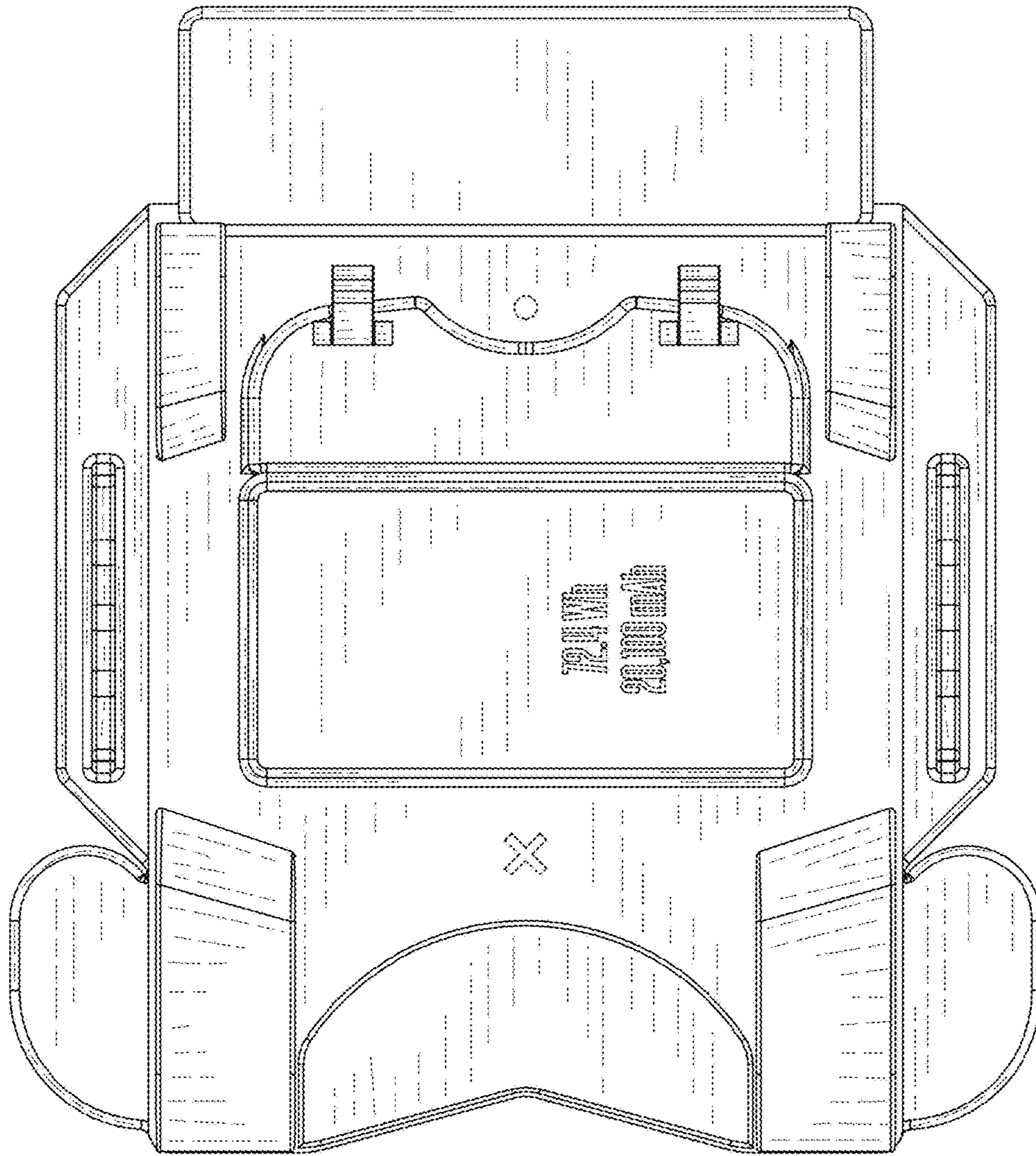


FIG. 8

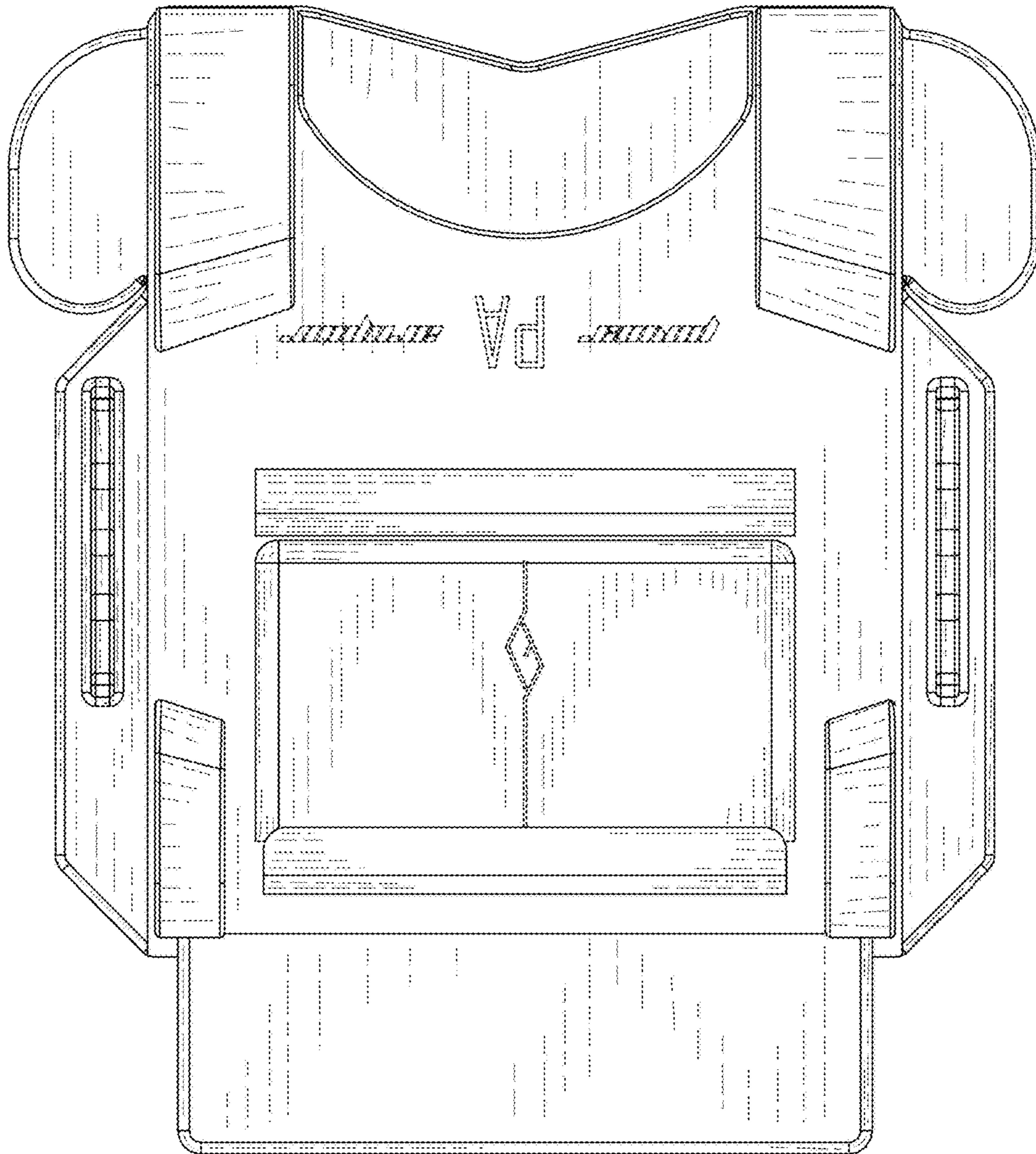


FIG. 9