



US00D821968S

(12) **United States Design Patent** (10) **Patent No.:** **US D821,968 S**  
**Zhao** (45) **Date of Patent:** **\*\* Jul. 3, 2018**

(54) **BATTERY CASE**  
(71) Applicant: **Qu Zhao**, Bazhong (CN)  
(72) Inventor: **Qu Zhao**, Bazhong (CN)  
(\*\*) Term: **15 Years**  
(21) Appl. No.: **29/598,141**  
(22) Filed: **Mar. 23, 2017**  
(51) **LOC (11) Cl.** ..... **13-02**  
(52) **U.S. Cl.**  
USPC ..... **D13/103**  
(58) **Field of Classification Search**  
USPC ..... D3/203.2, 203.3, 203.6, 273, 279, 276,  
D3/284, 294, 302, 905, 274, 281, 282,  
D3/283, 295, 321; D13/103, 119  
CPC ..... B25H 3/00; B25H 3/003; B25H 3/006;  
B25H 3/02-3/028; A45C 5/00; A45C  
13/29  
See application file for complete search history.

D795,874 S \* 8/2017 Szeremeta ..... D14/432  
9,762,987 B2 \* 9/2017 Snyder ..... H04R 1/02  
D808,653 S \* 1/2018 Rayeski ..... D3/273

**OTHER PUBLICATIONS**

Amazon, "OtterBox Dry Box 3000 Series Waterproof Universal Case—Black", First on sale Apr. 30, 2014. (<https://www.amazon.in/OtterBox-3000-Waterproof-Universal-Case/dp/B0000DYUZO>).\*  
Bang Good, "Solarforce V2 CR123A . . .", First reviewed on May 5, 2016. ([https://www.banggood.com/ko/Solarforce-V2-CR123A163401865026650-Transparent-PC-Plastic-Battery-Case-p-1040131.html?cur\\_warehouse=CN](https://www.banggood.com/ko/Solarforce-V2-CR123A163401865026650-Transparent-PC-Plastic-Battery-Case-p-1040131.html?cur_warehouse=CN)).\*

\* cited by examiner

*Primary Examiner* — Jennifer Rivard  
*Assistant Examiner* — April Rivas  
(74) *Attorney, Agent, or Firm* — Jeanette Meng Nakagawa

(57) **CLAIM**

The ornamental design for a battery case, as shown and described.

**DESCRIPTION**

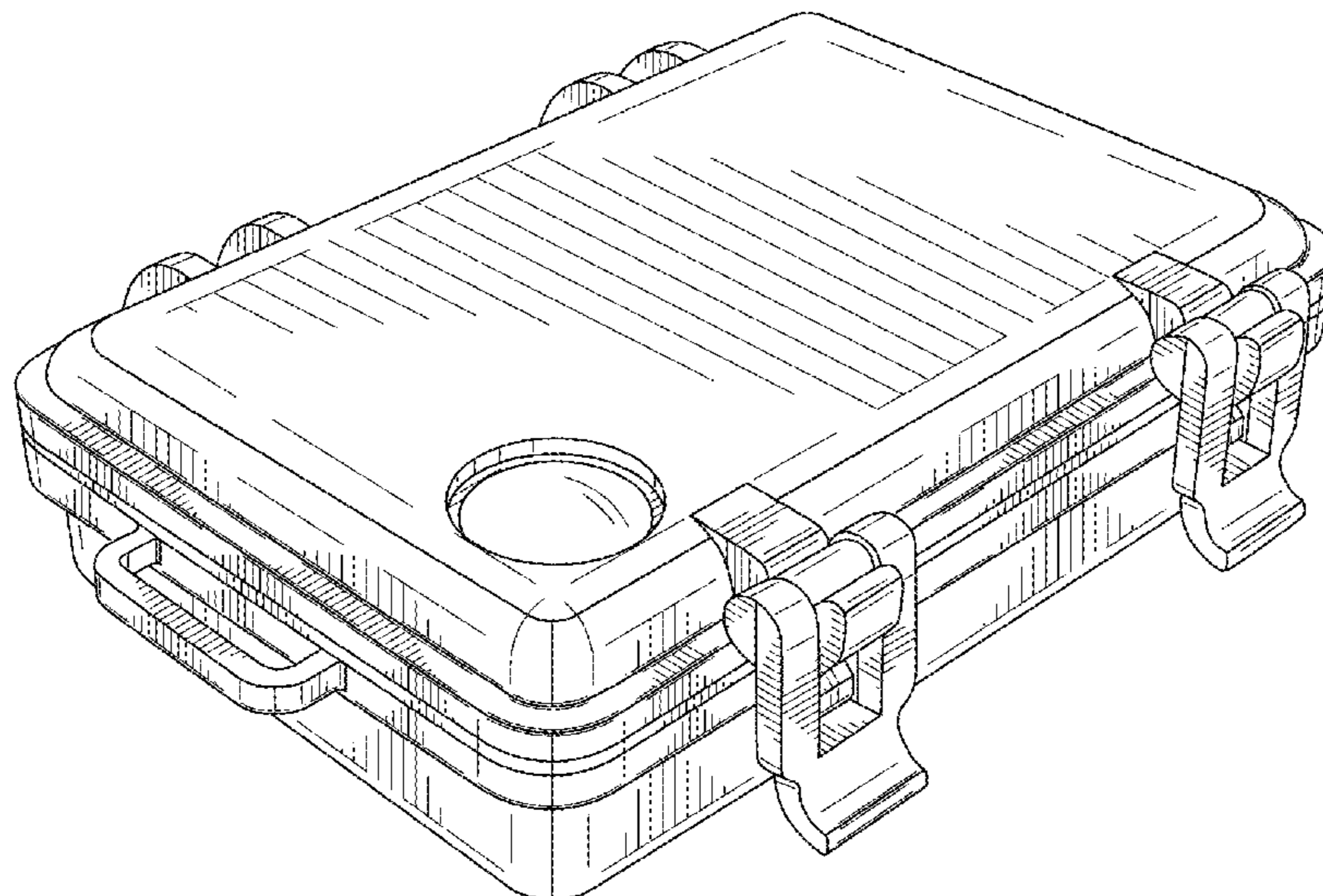
FIG. 1 is a perspective view from above of a battery case showing my new design;  
FIG. 2 is a perspective view from below thereof;  
FIG. 3 is a front view thereof;  
FIG. 4 is a right side view thereof;  
FIG. 5 is a top view thereof;  
FIG. 6 is a left side view thereof;  
FIG. 7 is a back view thereof; and,  
FIG. 8 is a bottom view thereof.  
The broken lines shown in FIGS. 2 and 3 illustrate portions of the battery case and form no part of the claimed design.

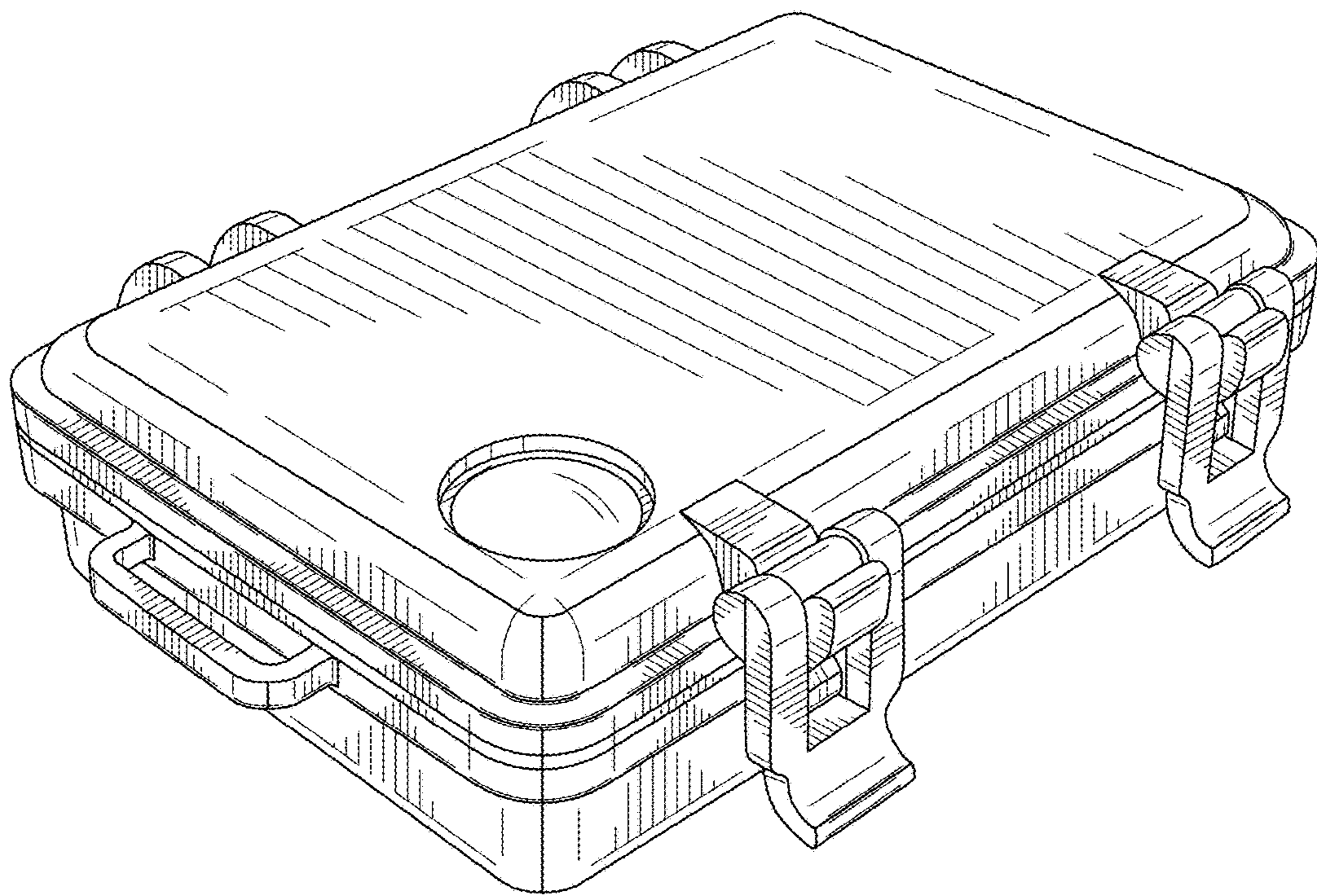
**1 Claim, 4 Drawing Sheets**

(56) **References Cited**

**U.S. PATENT DOCUMENTS**

D364,601 S \* 11/1995 Iwaki ..... D13/103  
5,860,550 A \* 1/1999 Miller ..... B65D 25/54  
206/535  
D419,768 S \* 2/2000 Richardson ..... D3/273  
D460,690 S \* 7/2002 Doerschlag ..... D3/203.2  
D517,988 S \* 3/2006 Ihde ..... D13/103  
D593,940 S \* 6/2009 Nomi ..... D13/103  
D634,930 S \* 3/2011 Lalo ..... D3/276  
D697,865 S \* 1/2014 Saito ..... D13/103  
D712,390 S \* 9/2014 Namminga ..... D14/250  
D746,770 S \* 1/2016 Nook ..... D13/103  
D759,590 S \* 6/2016 Wang ..... D13/119  
D777,104 S \* 1/2017 Liu ..... D13/119  
D781,584 S \* 3/2017 Kinskey ..... D3/294  
D786,191 S \* 5/2017 McSweyn ..... D13/103





*FIG. 1*



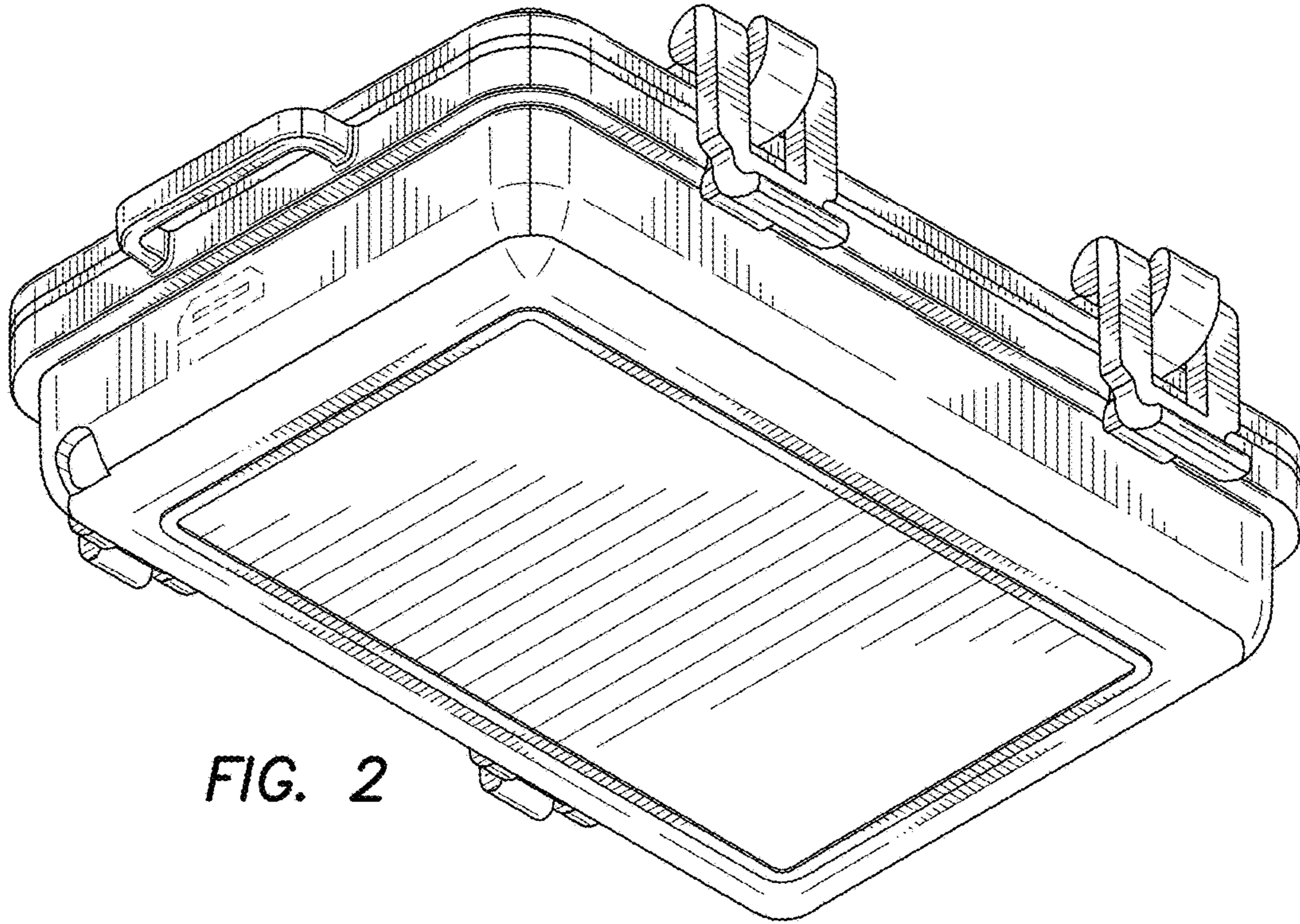


FIG. 2

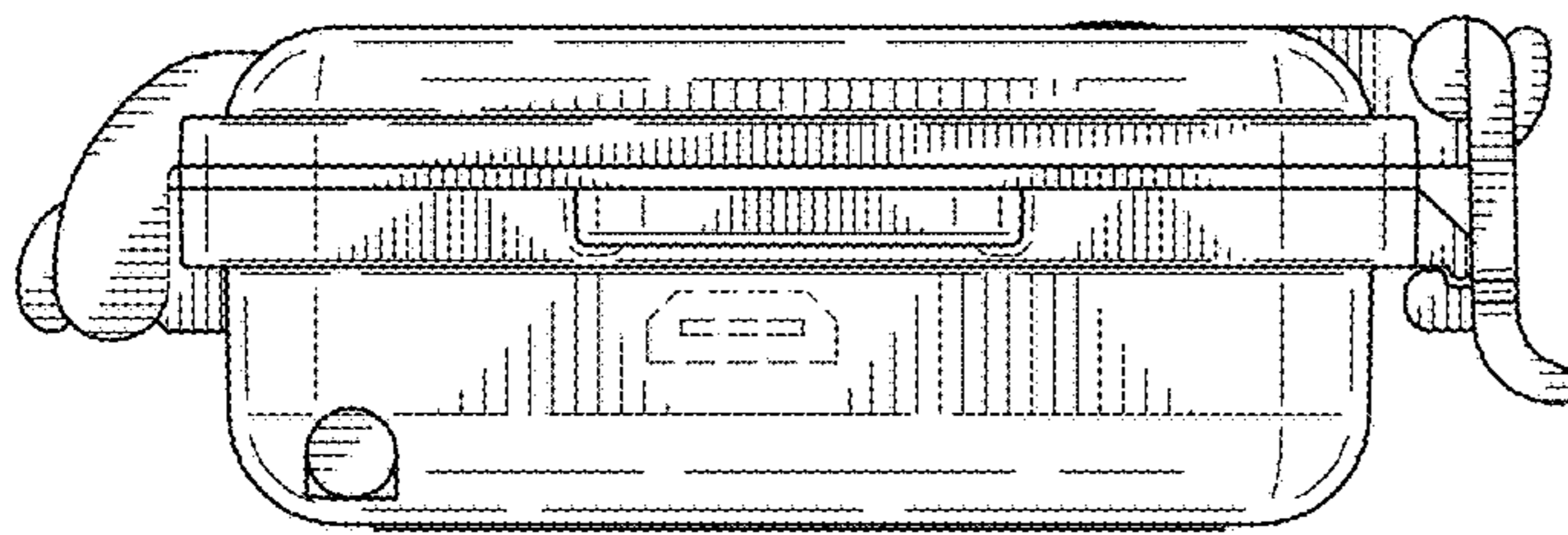


FIG. 3

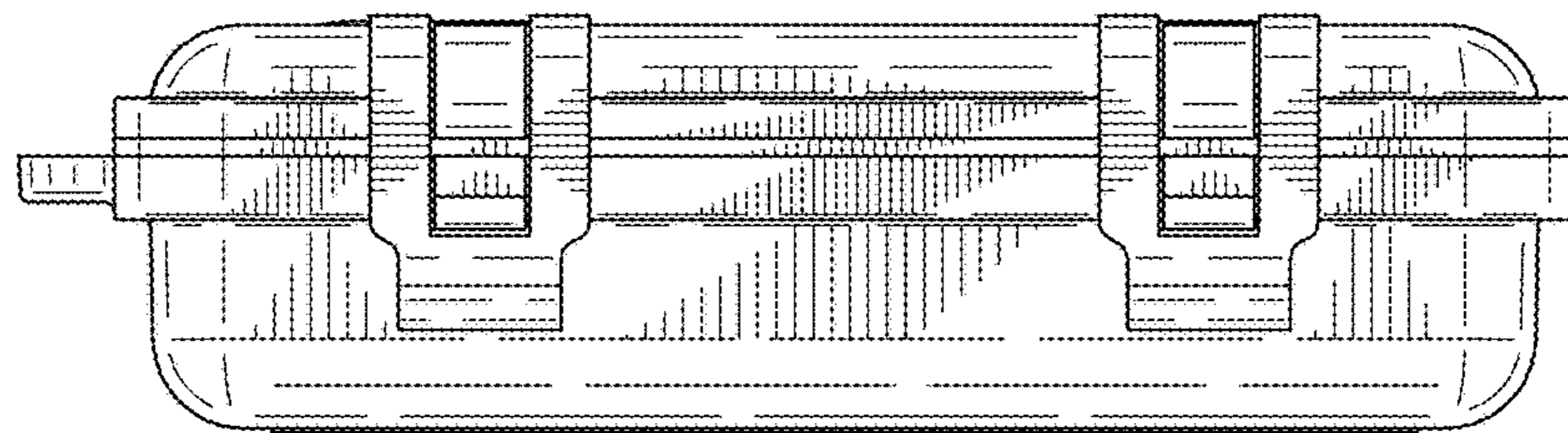
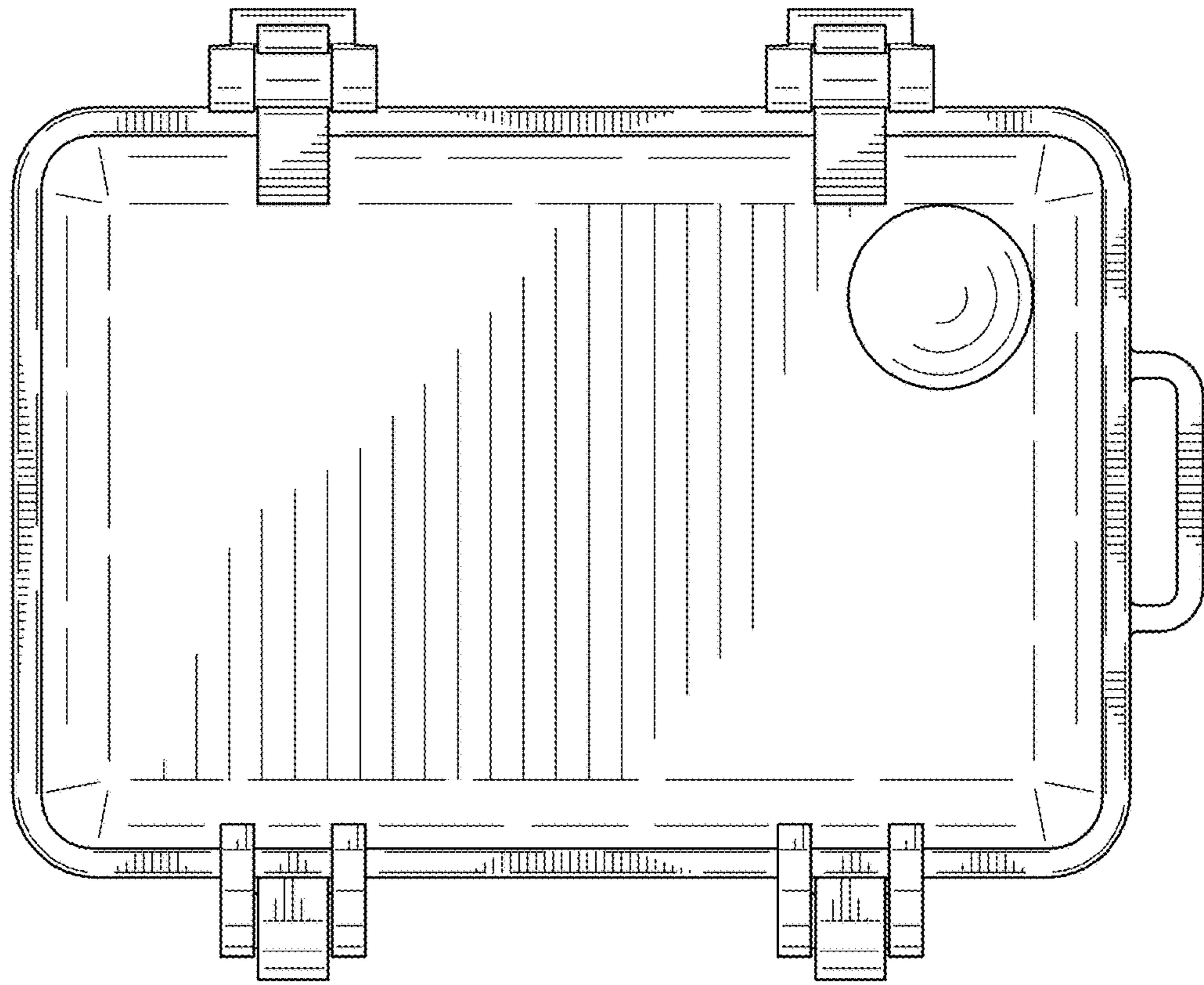
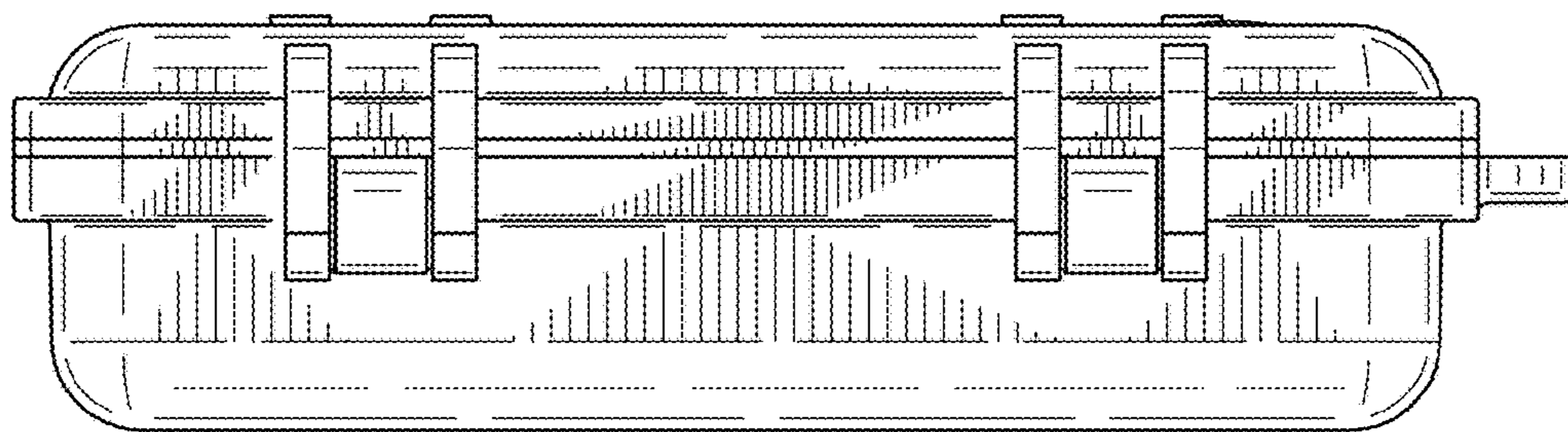


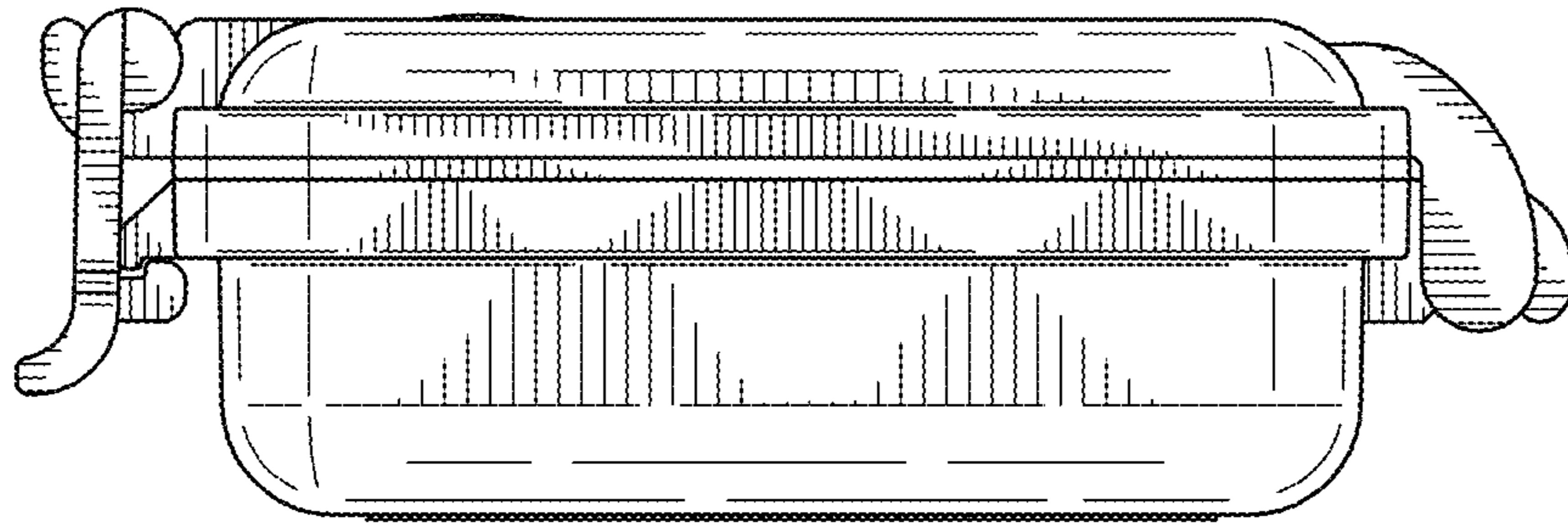
FIG. 4



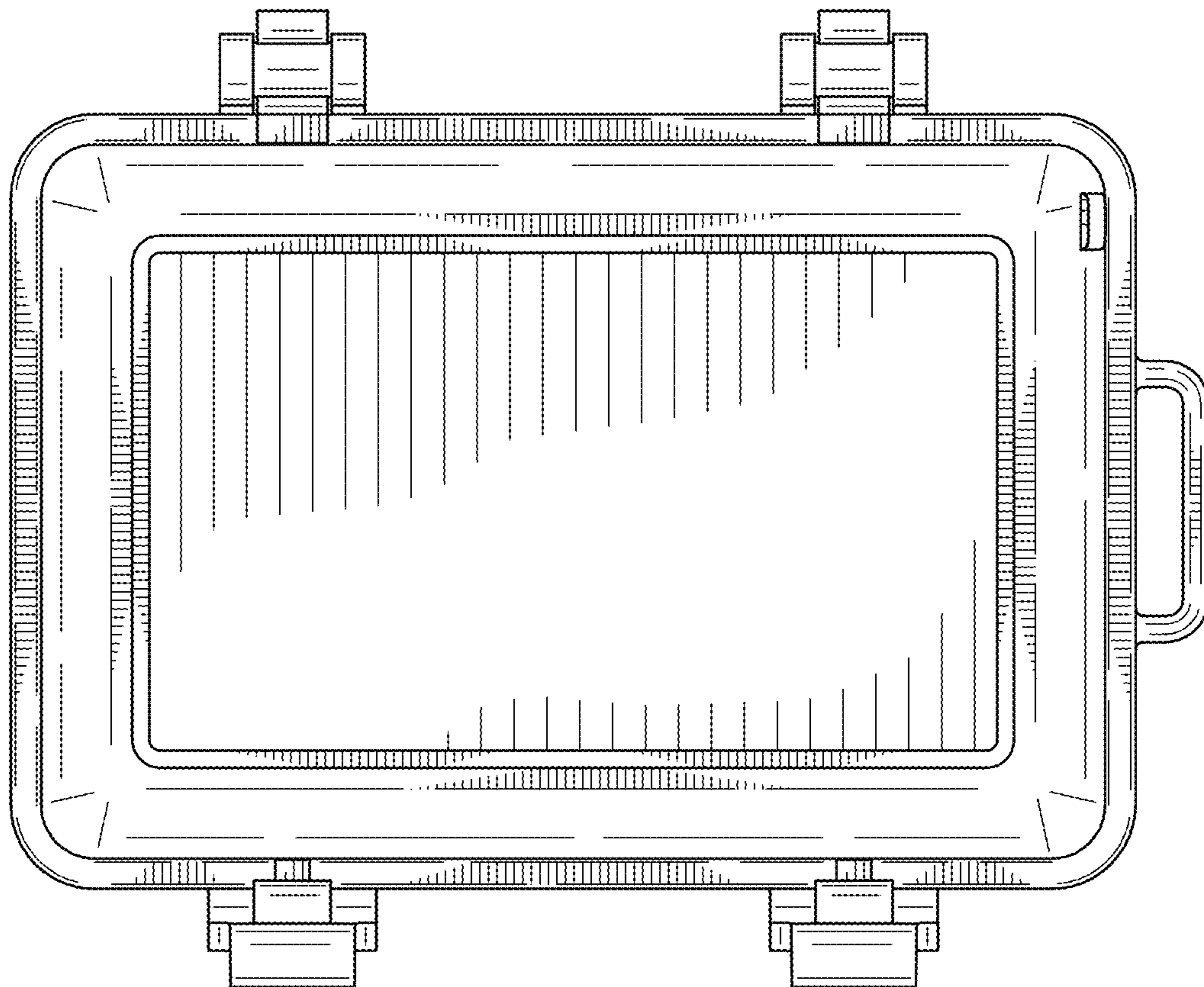
*FIG. 5*



*FIG. 6*



*FIG. 7*



*FIG. 8*