



US00D821967S

(12) **United States Design Patent**  
**Narendra et al.**

(10) **Patent No.:** **US D821,967 S**

(45) **Date of Patent:** **\*\* Jul. 3, 2018**

(54) **BATTERY**

(71) Applicant: **Symbol Technologies, LLC**,  
Lincolnshire, IL (US)

(72) Inventors: **Patrenahalli M. Narendra**, Hoffman  
Estates, IL (US); **Carl A. Thelemann**,  
East Islip, NY (US)

(73) Assignee: **Symbol Technologies, LLC**, Holtsville,  
NY (US)

(\*\*) Term: **15 Years**

(21) Appl. No.: **29/554,185**

(22) Filed: **Feb. 9, 2016**

(51) **LOC (11) Cl.** ..... **13-02**

(52) **U.S. Cl.**  
USPC ..... **D13/103**

(58) **Field of Classification Search**

USPC ..... D13/102–106, 118–119, 184, 199  
CPC ..... Y02E 60/12; Y02E 60/122; Y02E 60/124;  
Y02E 60/50; H01M 2/02; H01M 2/022;  
H01M 2/0202; H01M 2/0207; H01M  
2/0212; H01M 2/1061; H01M 2/1022;  
H01M 2/1055; H01M 2/1066; H01M  
2/105; H01M 2/204; H01M 10/4257;  
H01M 10/0436; H01M 10/48

See application file for complete search history.

(56) **References Cited**

U.S. PATENT DOCUMENTS

D349,094 S \* 7/1994 Alexandres ..... D13/103  
D355,158 S \* 2/1995 Alexandres ..... D13/103

D376,346 S \* 12/1996 Ullrich ..... D13/103  
D379,795 S \* 6/1997 Pitzen ..... D13/103  
D418,107 S \* 12/1999 Murray ..... D13/103  
D438,508 S \* 3/2001 Stanford ..... D13/103  
D554,579 S \* 11/2007 Ogasawara ..... D13/103  
D589,439 S \* 3/2009 Van Wambeke ..... D13/103  
D589,440 S \* 3/2009 Van Wambeke ..... D13/103  
D610,082 S \* 2/2010 Sweeney ..... D13/103  
D610,537 S \* 2/2010 Sweeney ..... D13/103  
D757,645 S \* 5/2016 Oliver ..... D13/103  
D801,916 S \* 11/2017 Altenburger ..... D13/103

\* cited by examiner

*Primary Examiner* — Rosemary K Tarca

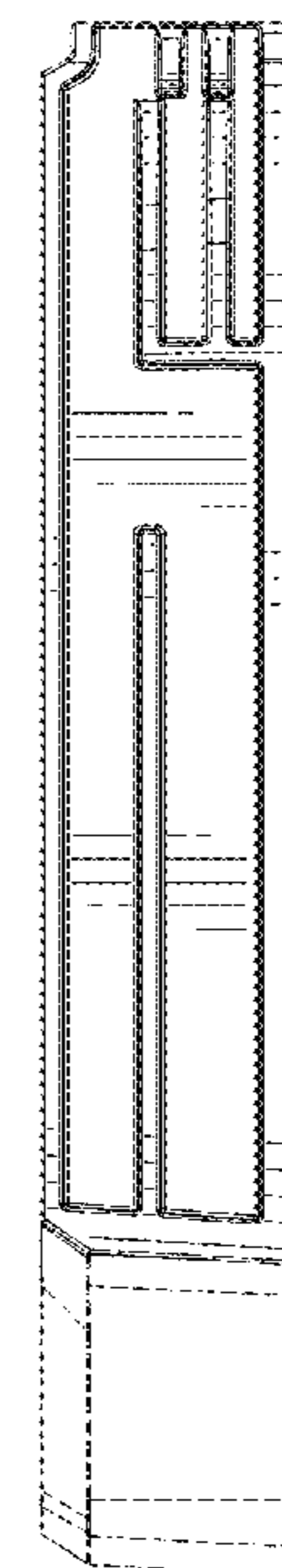
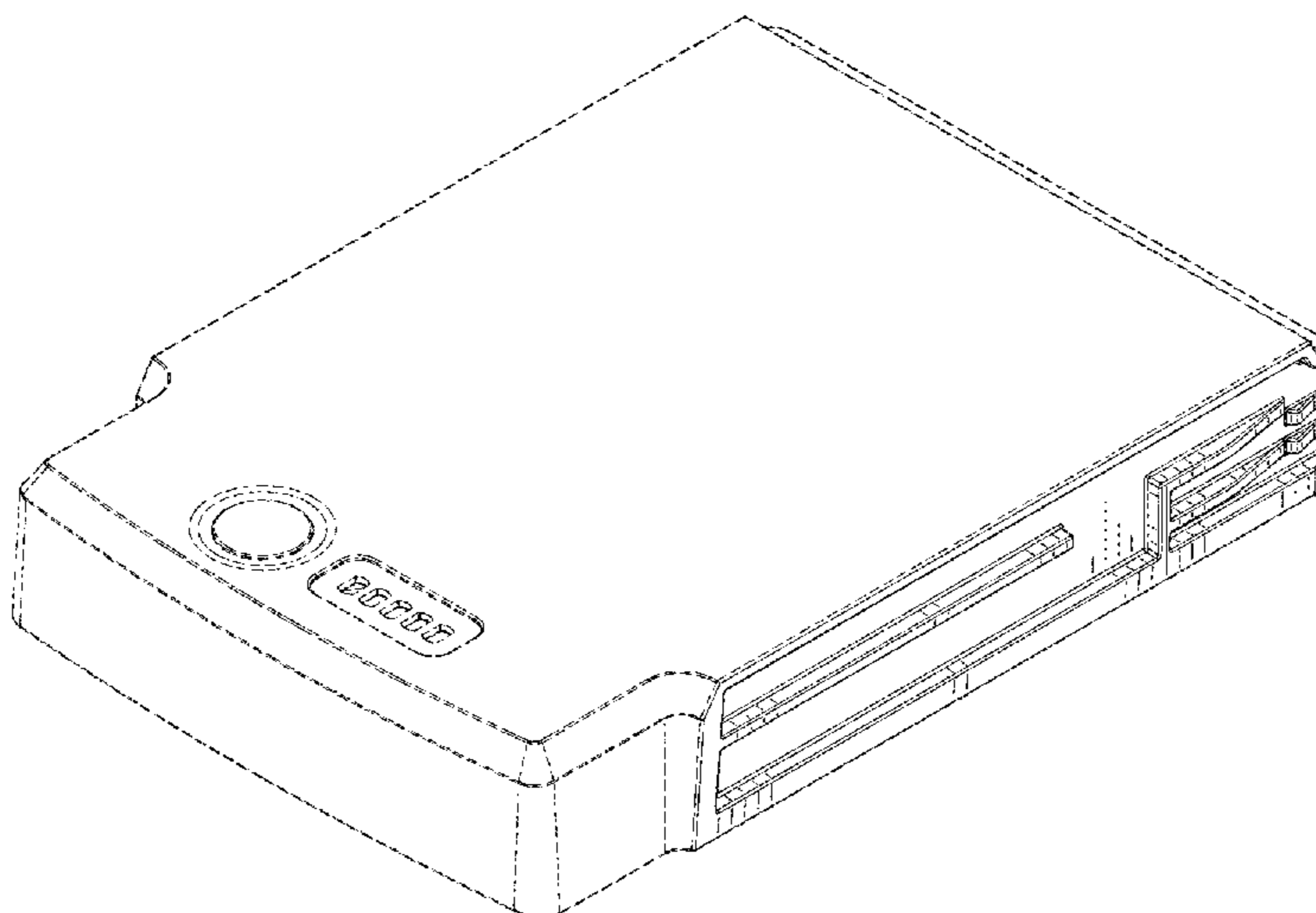
(57) **CLAIM**

We claim the ornamental design for a battery, as shown and described.

**DESCRIPTION**

FIG. 1 is a perspective view of a battery according to our new design;  
FIG. 2 is another perspective view thereof;  
FIG. 3 is a top view thereof;  
FIG. 4 is a bottom view thereof;  
FIG. 5 is a front view thereof;  
FIG. 6 is a back view thereof;  
FIG. 7 is a first side view thereof; and,  
FIG. 8 is a second side view thereof.  
The broken lines are directed to environment and are for illustrative purposes only. The broken lines form no part of the claimed design.

**1 Claim, 6 Drawing Sheets**



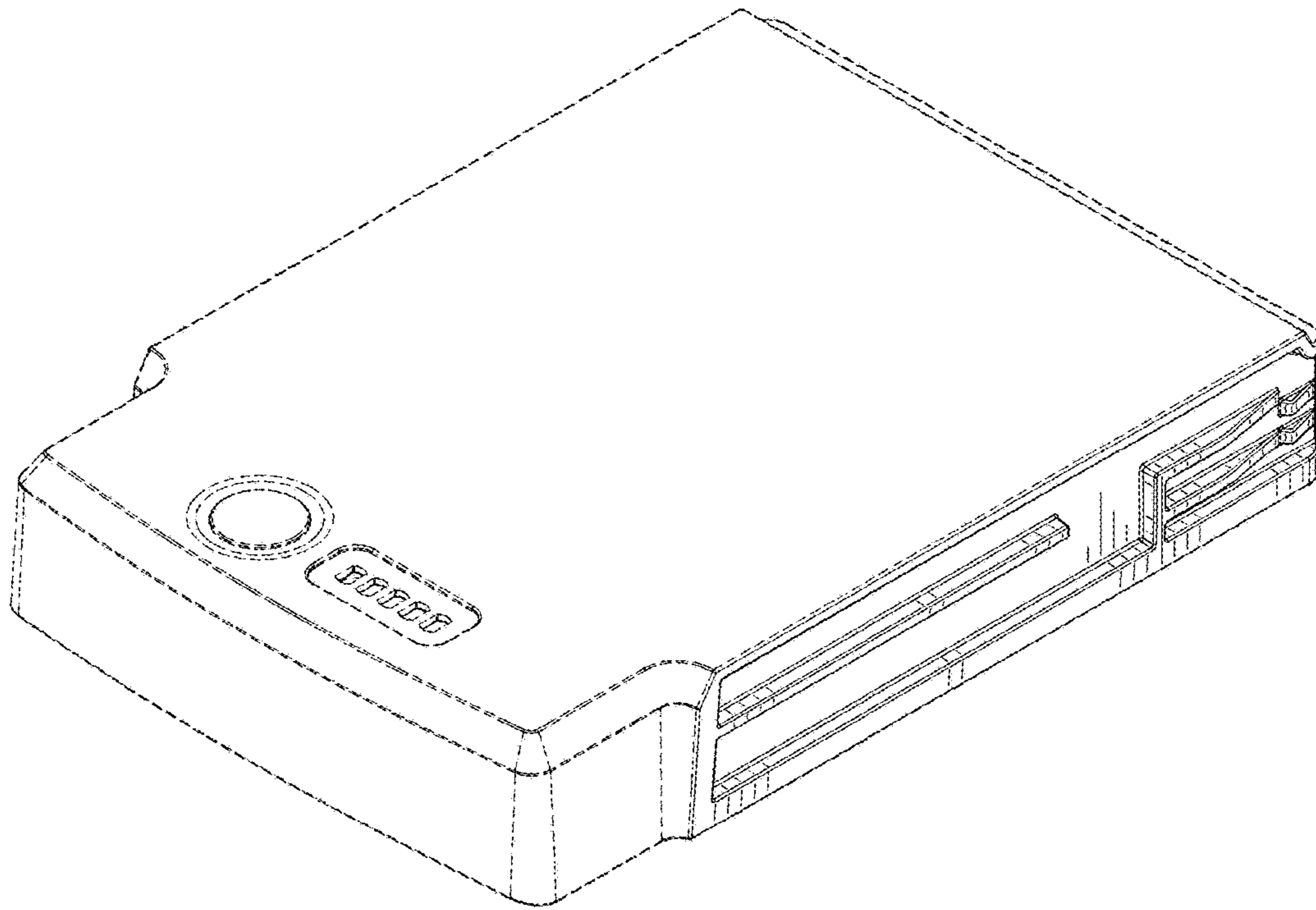


FIG. 1

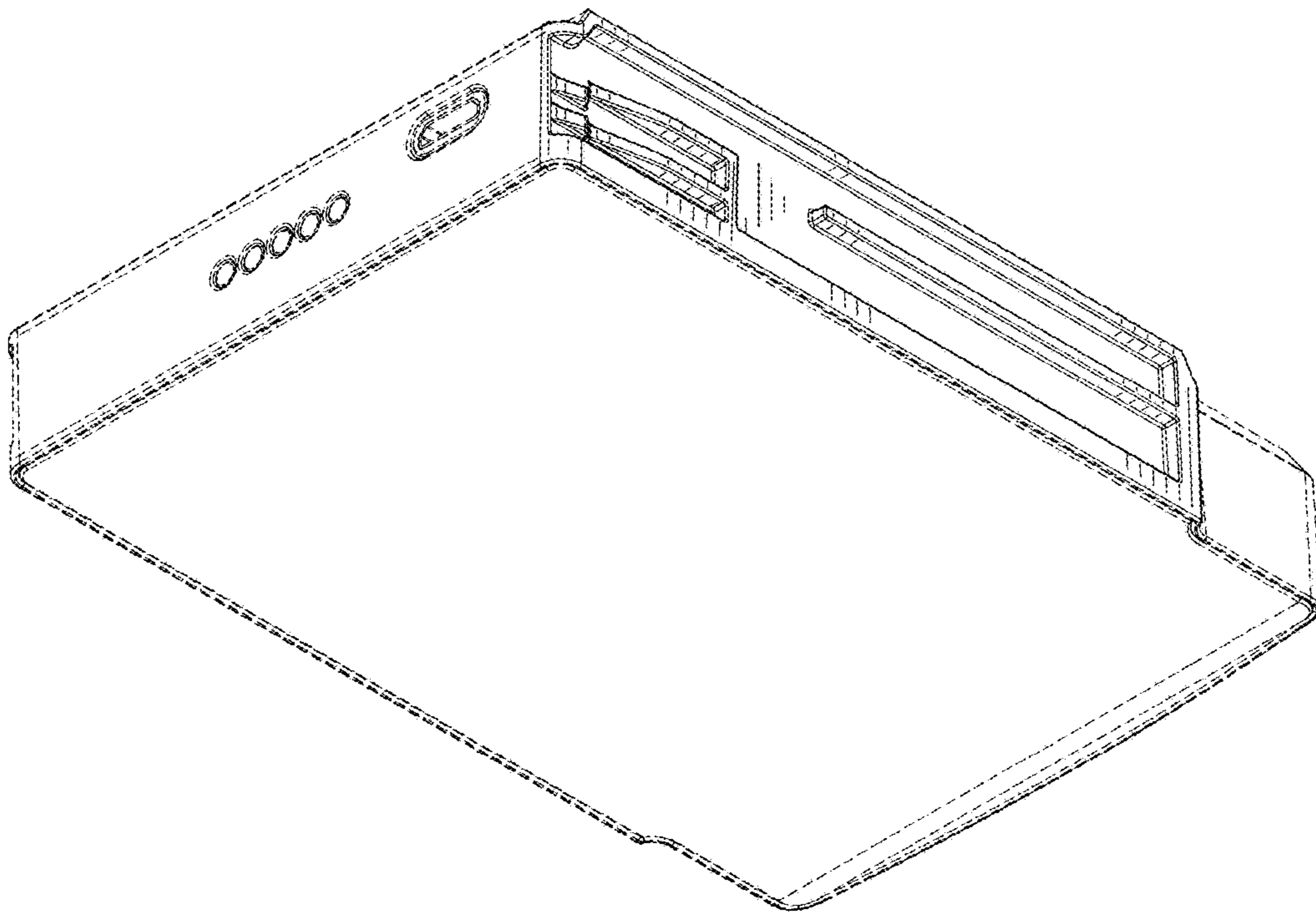


FIG. 2

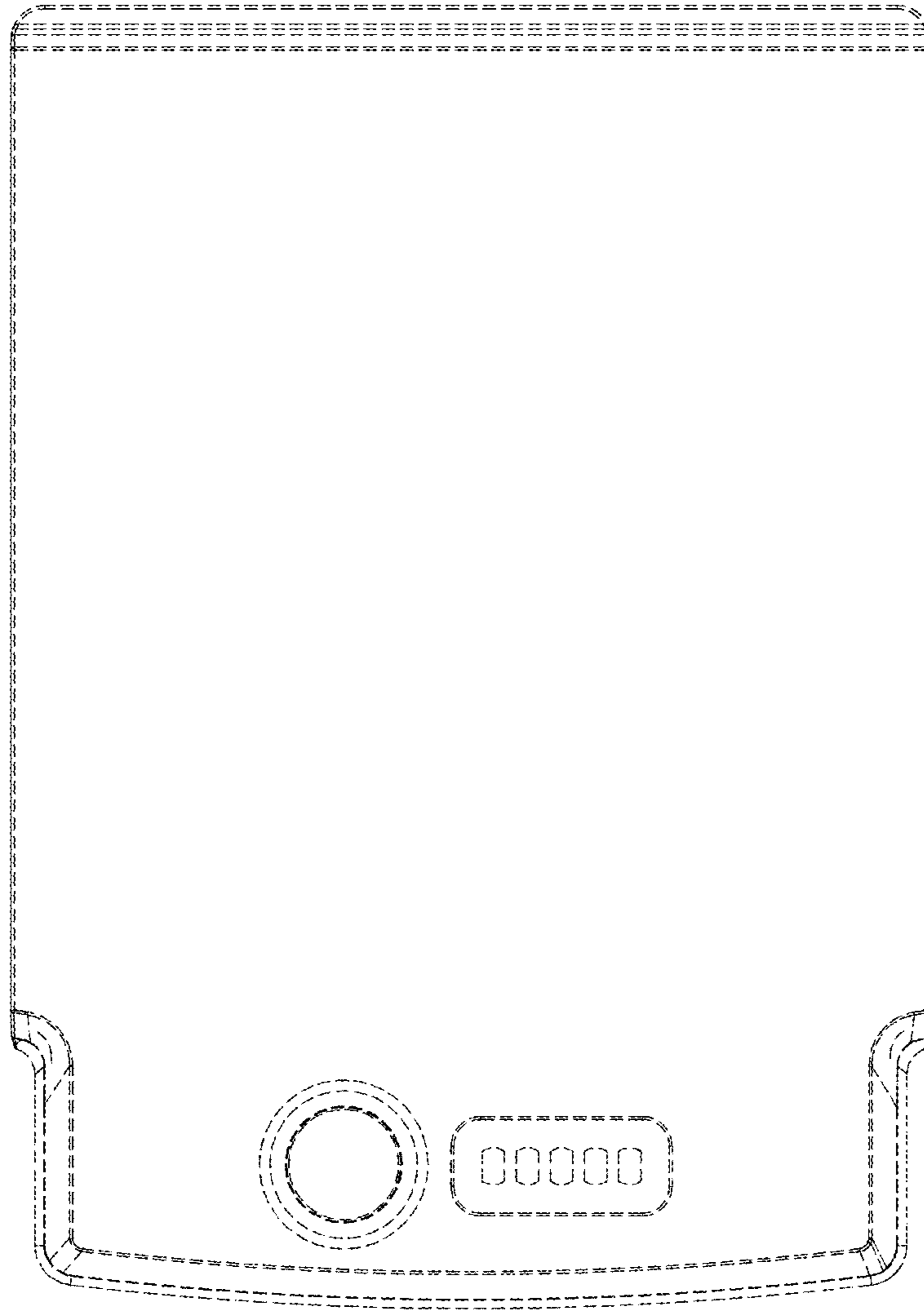


FIG. 3

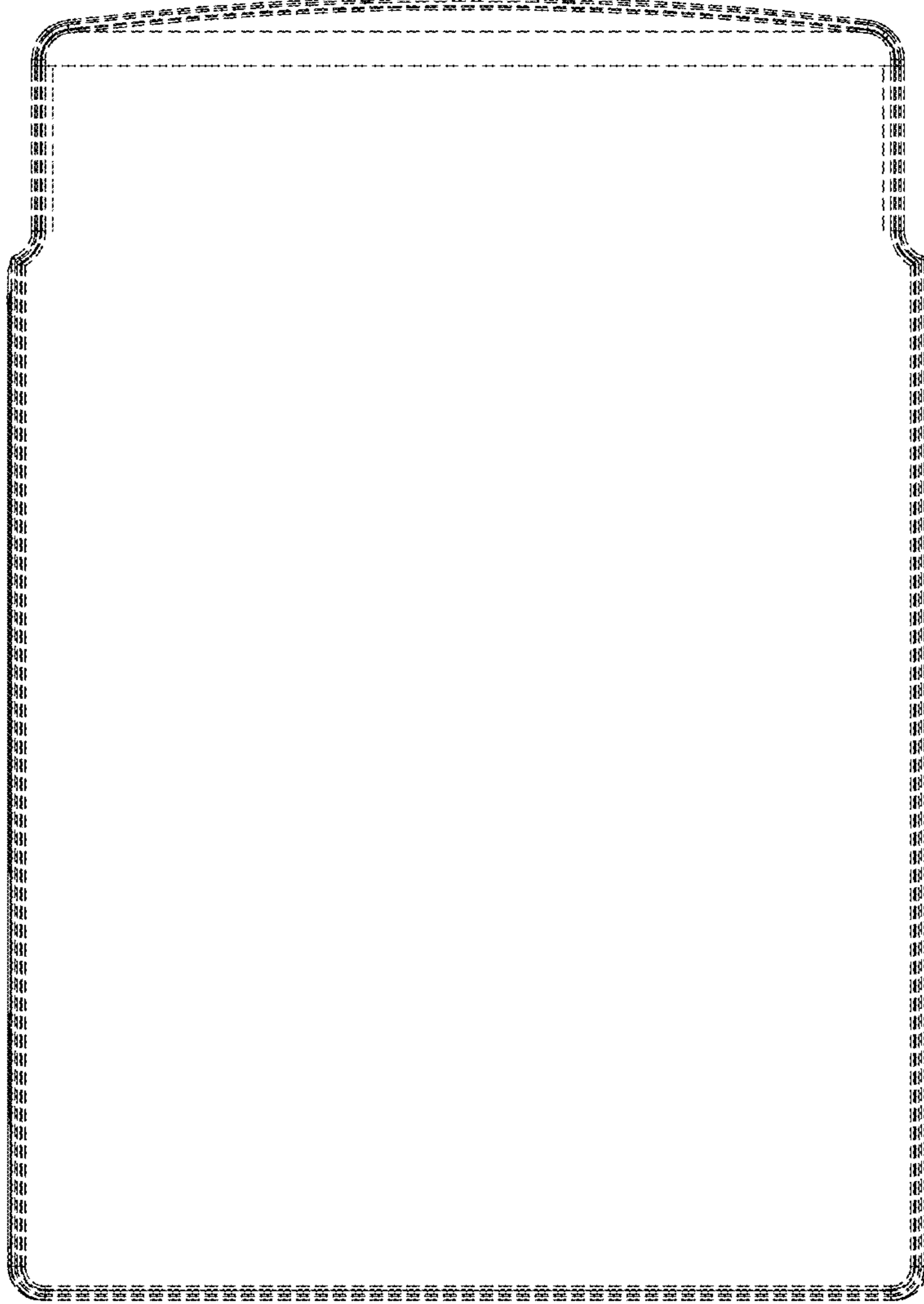


FIG. 4

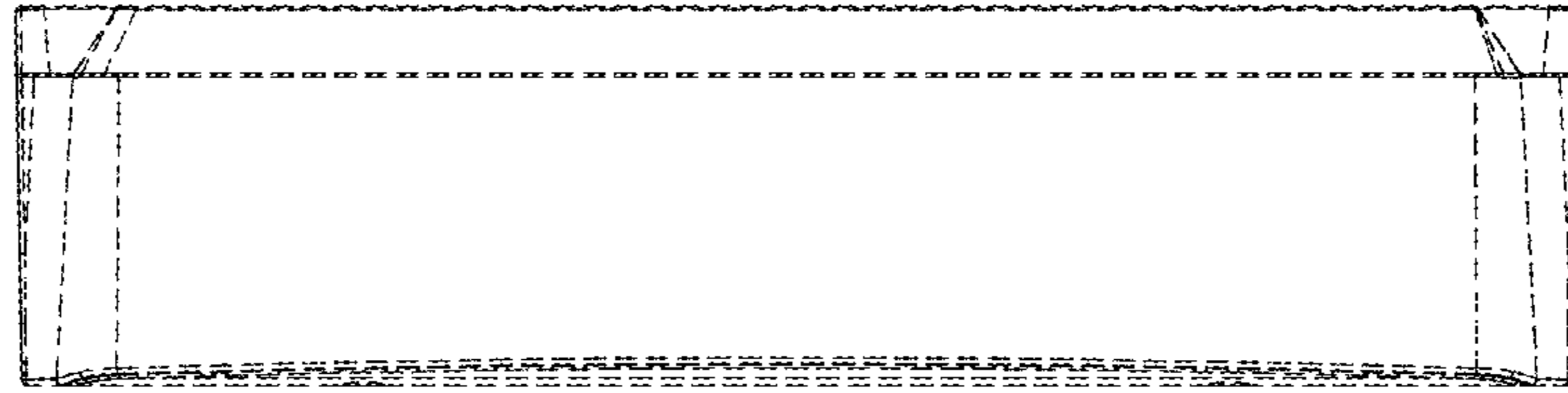


FIG. 5

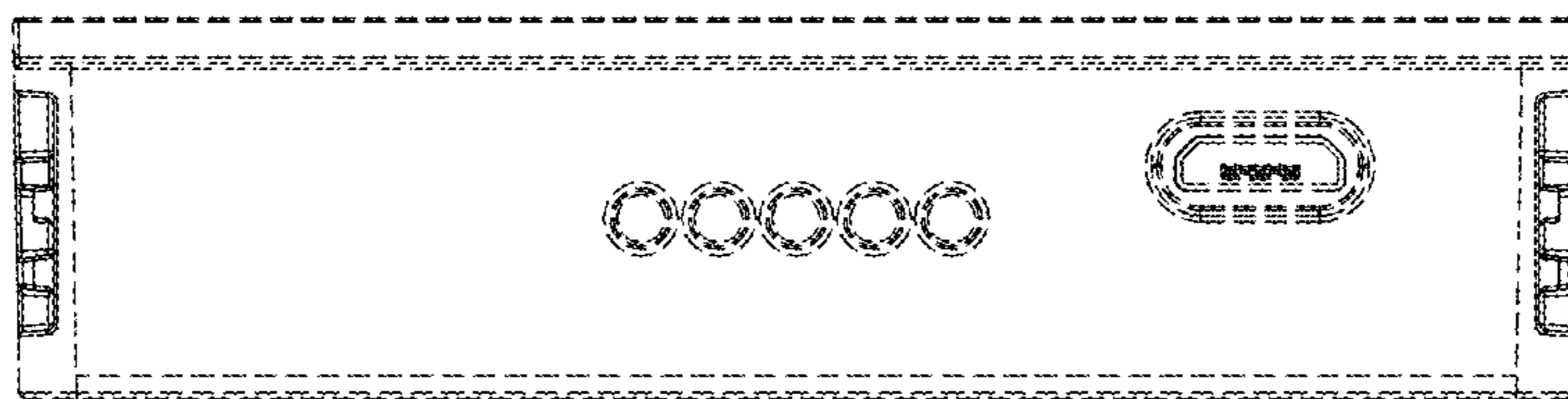


FIG. 6

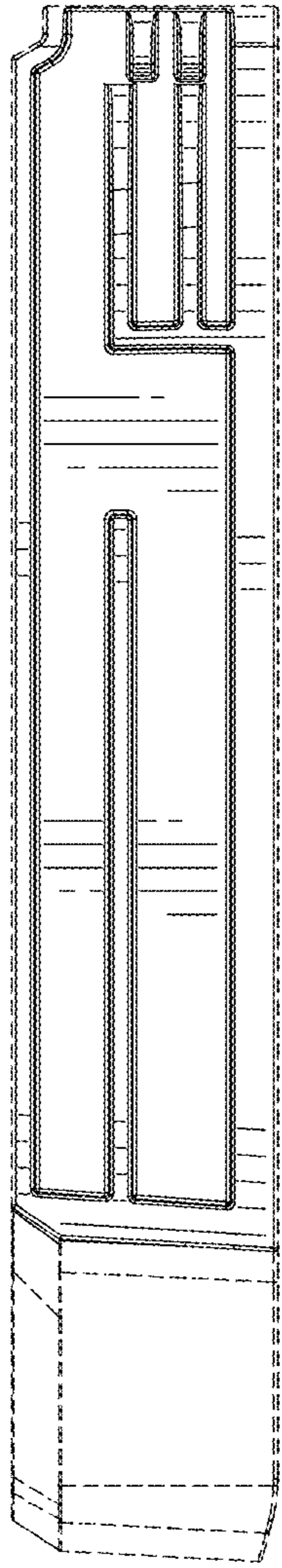


FIG. 7

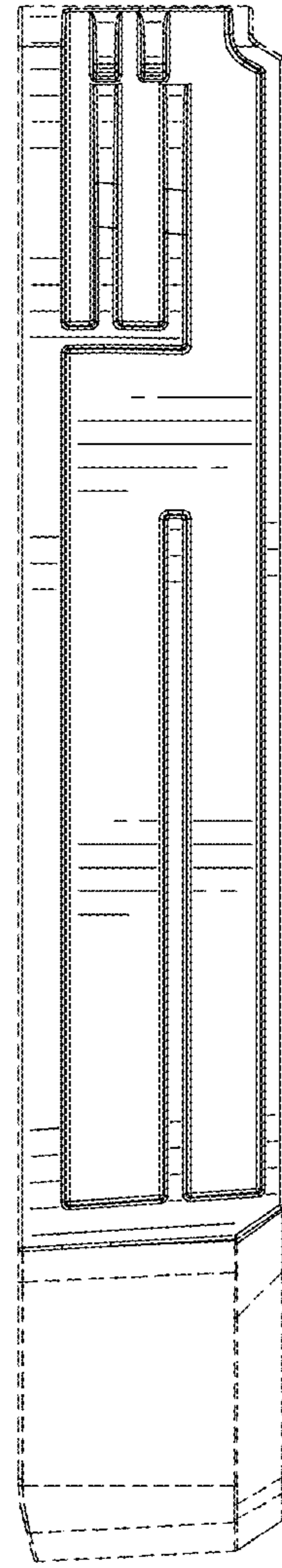


FIG. 8