



US00D821959S

(12) **United States Design Patent**  
**Baker**

(10) **Patent No.:** **US D821,959 S**  
(45) **Date of Patent:** **\*\* Jul. 3, 2018**

(54) **CAR TRUNK ORGANIZER WITH STRAPS**

(71) Applicant: **Ross Baker Consulting Co. Inc.**,  
Byron Center, MI (US)

(72) Inventor: **Ross Baker**, Byron Center, MI (US)

(\*\*) Term: **15 Years**

(21) Appl. No.: **29/608,863**

(22) Filed: **Jun. 26, 2017**

(51) **LOC (11) Cl.** ..... **12-16**

(52) **U.S. Cl.**  
USPC ..... **D12/425**

(58) **Field of Classification Search**

USPC ..... D12/415-419, 191, 106, 96, 400, 195,  
D12/345, 99; 296/37.1, 37.8, 70, 24.1,  
296/24.2, 24.3, 137.1, 97.1, 97.2, 97.4,  
296/97.5, 97.6, 97.7, 97.8, 180; 312/246;  
224/311, 539, 281, 275; D8/354;  
D14/451-452; 248/278.1, 274.1, 284.1;  
D3/319; 160/370.21, 370.23, 370.22  
CPC .... B60R 5/00; B60R 5/04; B60R 7/00; B60R  
7/02; A47G 29/00  
See application file for complete search history.

Organizer/dp/B01EJS31AY/ref=sr\_1\_1?ie=UTF8  
&qid=1498249911&sr=8-1&keywords=itovin+B01EJS31AY.  
RoadPal Car Trunk Organizer. Amazon.com, First retrieved on Sep.  
1, 2016. Amazon ASN: B01DIMTWCS.  
Neatfreak NeatAuto XL 3. Target.com. First retrieved on Sep. 1,  
2016. URL: <https://www.target.com/p/neatfreak-neatauto-xl-3-compartment-trunk-organizer-with-everfresh/-/A-18788355>.  
Songmics Trunk Organizer. Amazon.com. First retrieved on Sep. 1,  
2016. URL: [https://www.amazon.com/SONGMICS-Trunk-Organizer-Collapsible-Container/dp/B01GT637Q2/ref=sr\\_1\\_1?ie=UTF8&qid=1498251294&sr=8-1&keywords=songmics+trunk+organizer](https://www.amazon.com/SONGMICS-Trunk-Organizer-Collapsible-Container/dp/B01GT637Q2/ref=sr_1_1?ie=UTF8&qid=1498251294&sr=8-1&keywords=songmics+trunk+organizer).  
Vipinon Car Trunk Organizer. Amazon.com. First retrieved on Sep.  
1, 2016. Amazon ASN: B017BWXTC.

\* cited by examiner

*Primary Examiner* — Abraham Bahta

(74) *Attorney, Agent, or Firm* — Reem Allos

(57) **CLAIM**

The ornamental design for a car trunk organizer with straps,  
as shown and described.

(56) **References Cited**

U.S. PATENT DOCUMENTS

5,234,116	A	8/1993	Kristinsson et al.	
5,819,996	A	10/1998	Koons, Jr.	
6,149,040	A	11/2000	Walker	
D486,121	S *	2/2004	Bergh .....	D12/425
6,779,956	B2	8/2004	Strumolo et al.	
D539,036	S	3/2007	Potts et al.	
D633,296	S	3/2011	Potts et al.	
8,459,489	B2	6/2013	Potts et al.	
2005/0284906	A1	12/2005	Potts et al.	

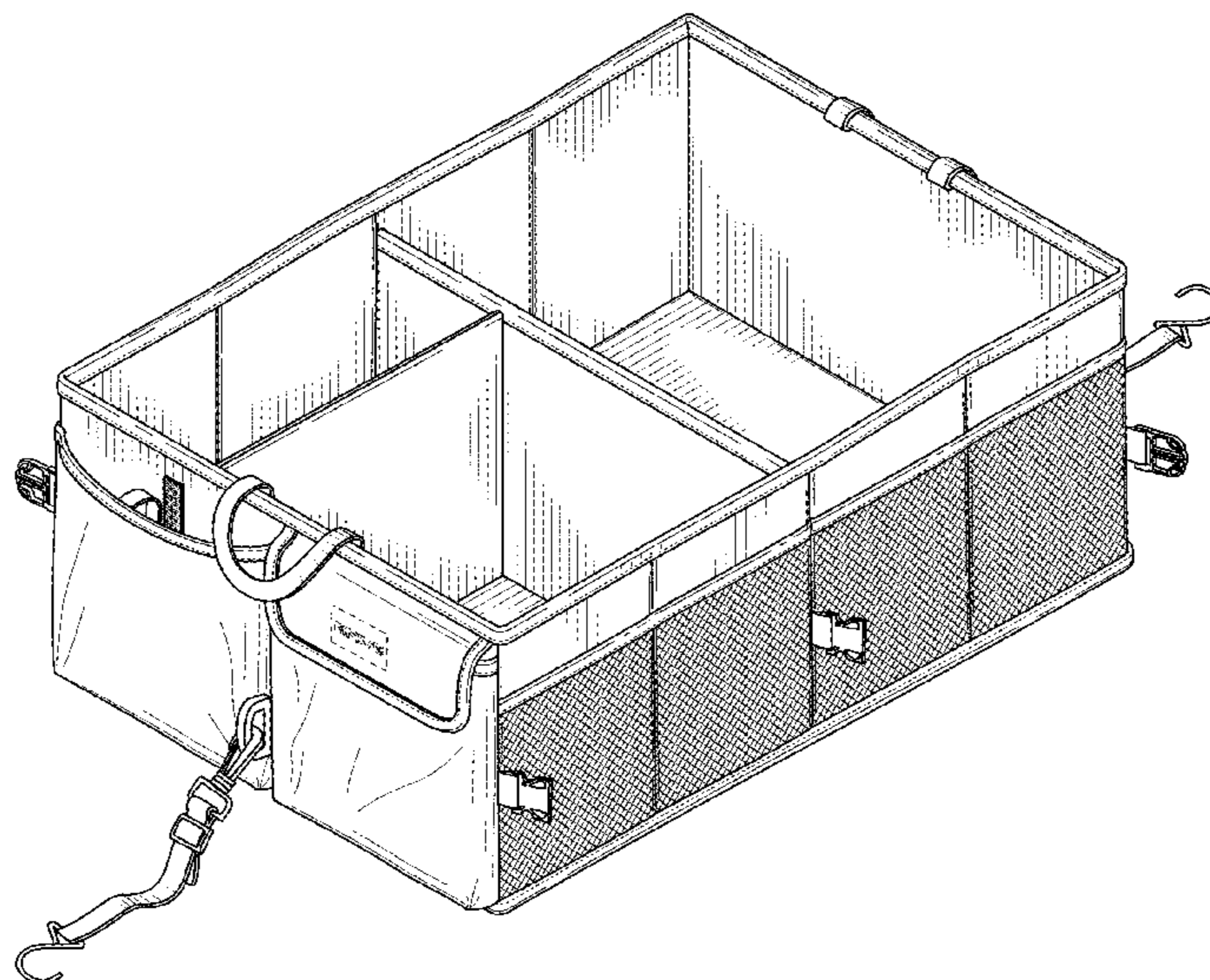
OTHER PUBLICATIONS

Itovin Car Trunk Organizer. Amazon.com, First retrieved on Sep. 1,  
2016 URL: <https://www.amazon.com/iTovin-TO161-Extra-Large->

**DESCRIPTION**

FIG. 1 is a perspective view of the car trunk organizer with straps showing an embodiment of the new design;  
FIG. 2 is a front view of thereof;  
FIG. 3 is a back view of thereof;  
FIG. 4 is a right-side view of thereof;  
FIG. 5 is a left-side view of thereof;  
FIG. 6 is a top view of thereof; and,  
FIG. 7 is a bottom view of thereof.  
The broken line disclosure found in FIGS. 1-7 are understood to be for illustrative purposes only and forms no part of the claimed design.

**1 Claim, 7 Drawing Sheets**



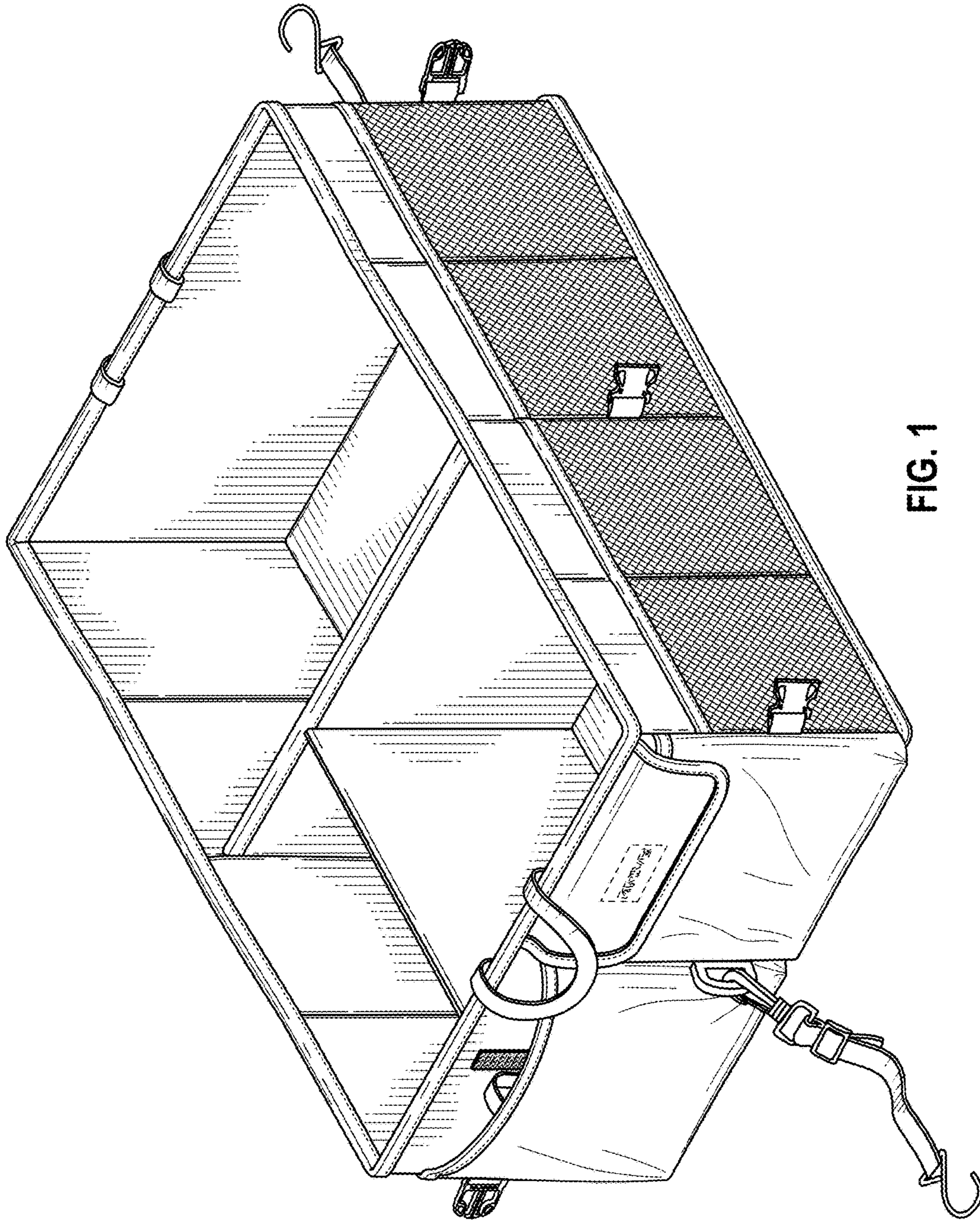


FIG. 1

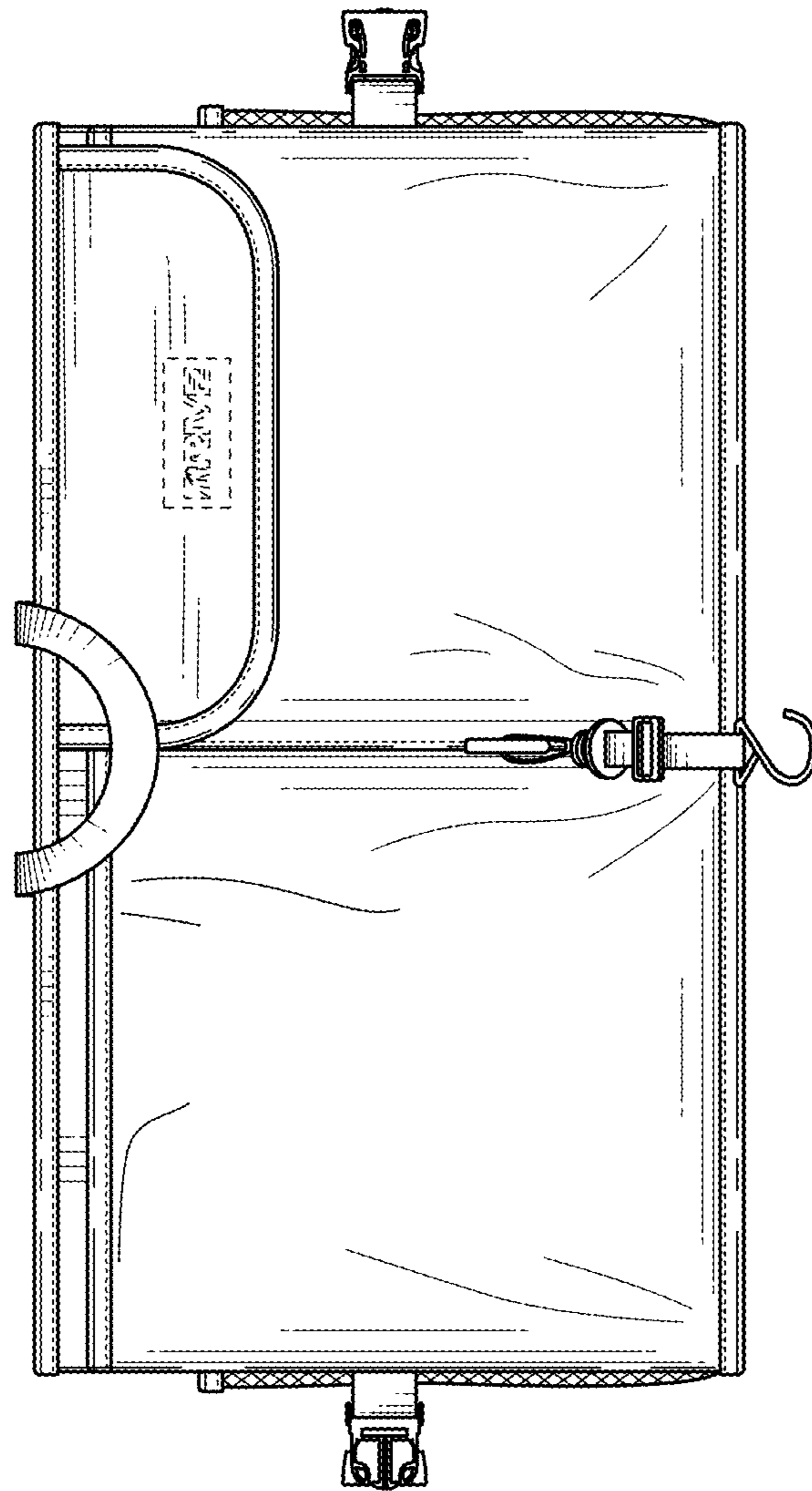


FIG. 2

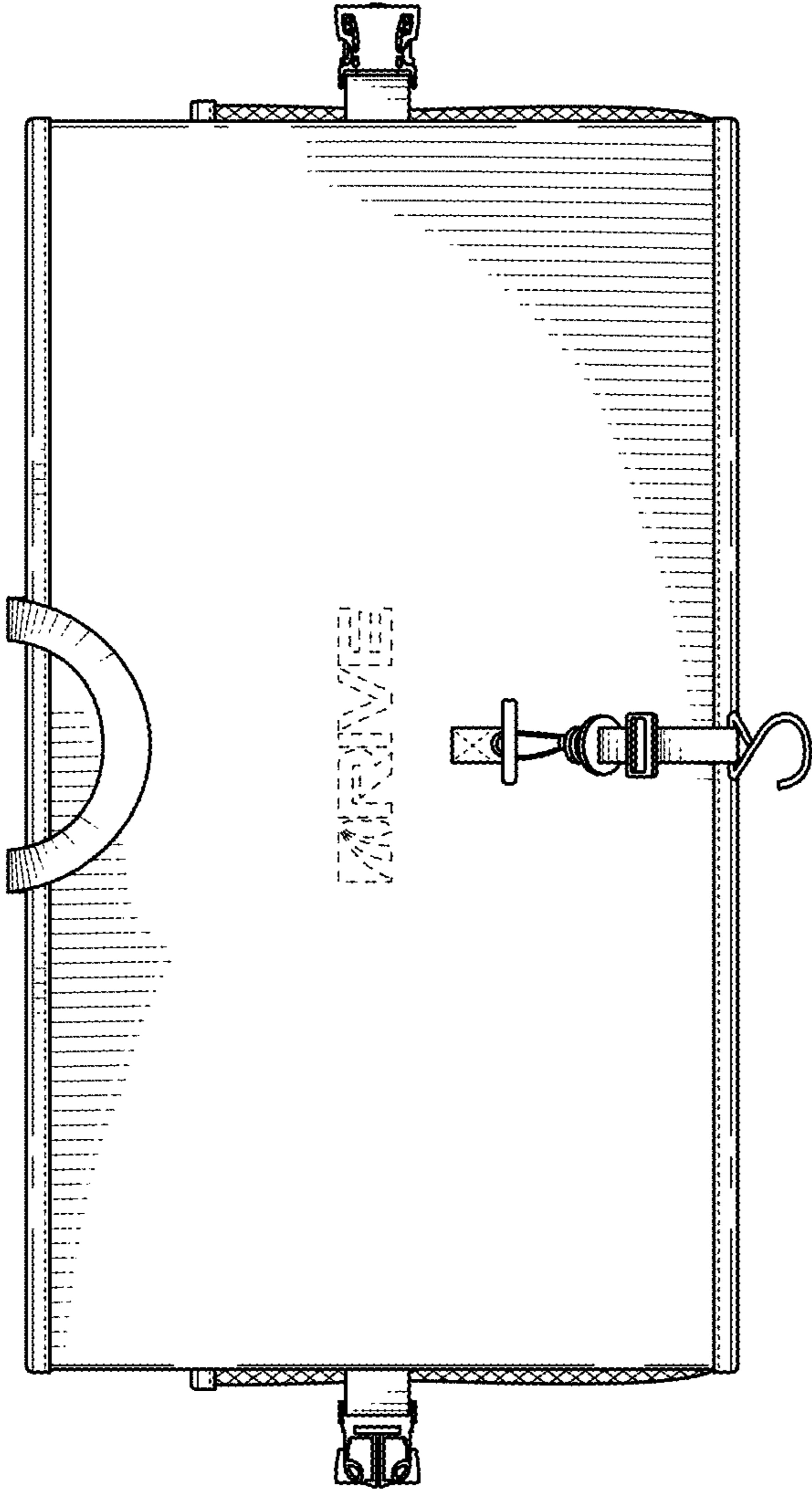


FIG. 3

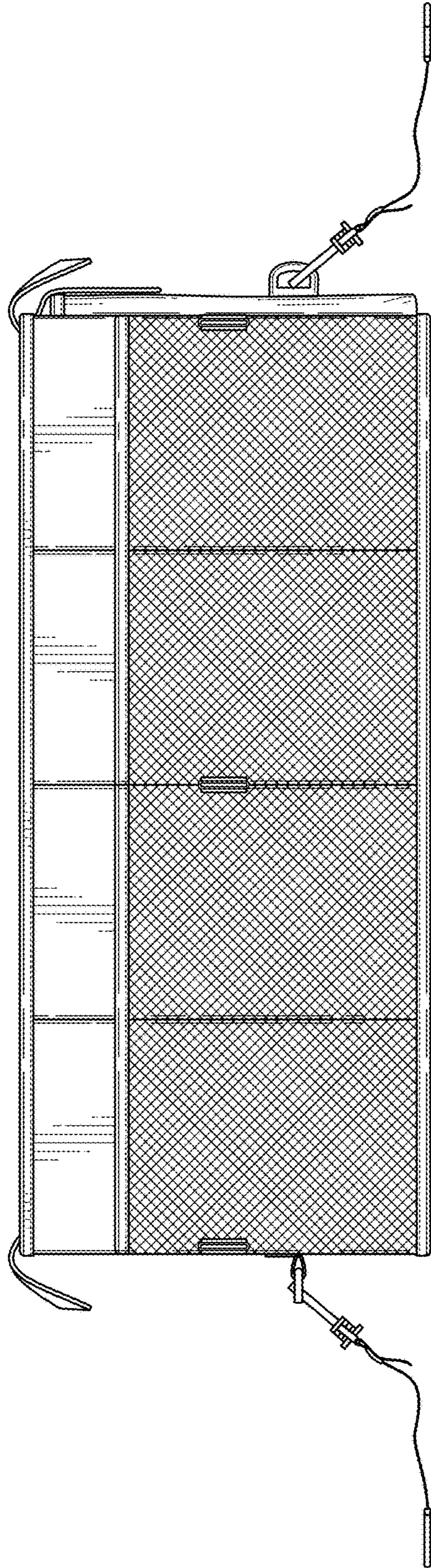


FIG. 4

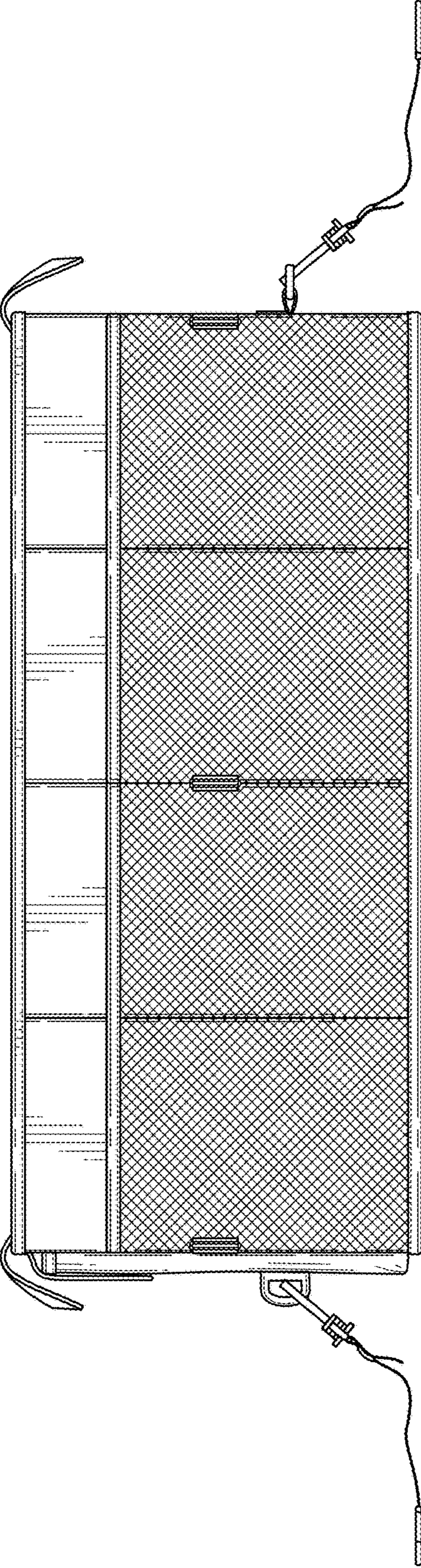


FIG. 5

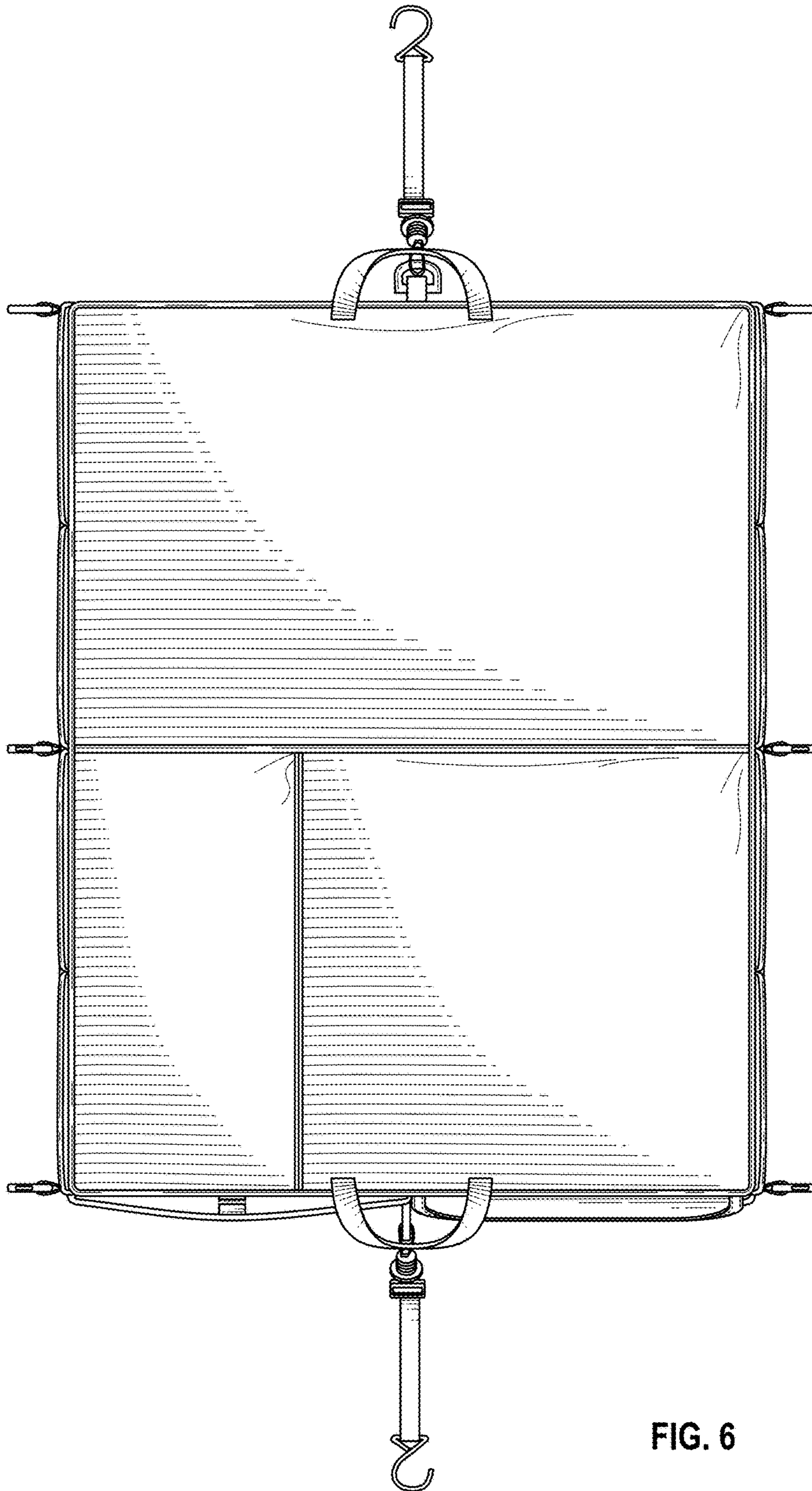


FIG. 6

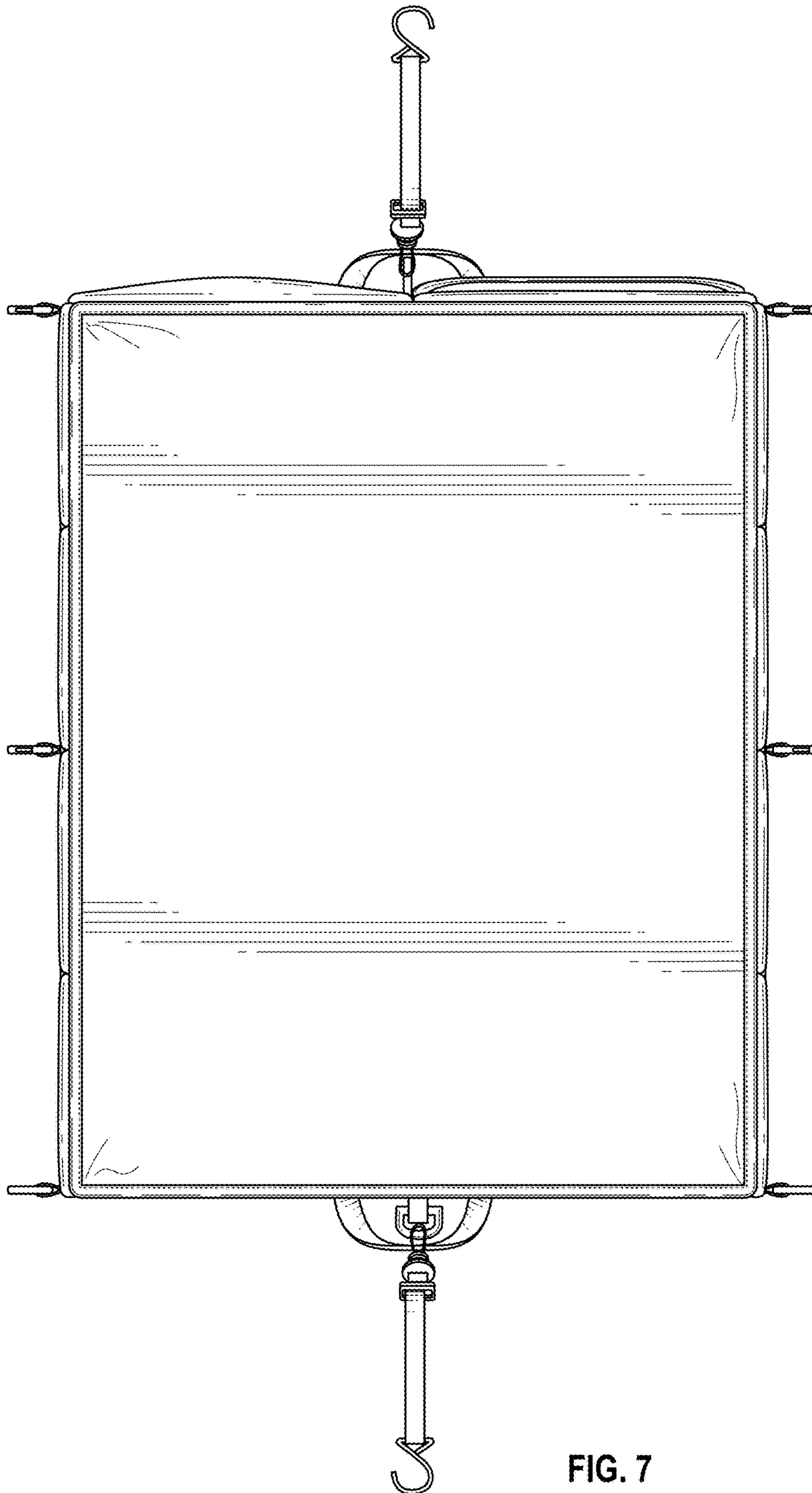


FIG. 7