



US00D821957S

(12) **United States Design Patent**  
**Wan et al.**

(10) **Patent No.:** **US D821,957 S**  
(45) **Date of Patent:** **\*\* Jul. 3, 2018**

(54) **ELECTRIC FOLDABLE DEVICE OF  
REARVIEW MIRROR FOR AUTOMOBILES**

D599,262 S \* 9/2009 Reed ..... D12/174  
D609,720 S \* 2/2010 Buck ..... D15/1  
D638,444 S \* 5/2011 He ..... D15/1

(Continued)

(71) Applicant: **NINGBO JINGCHENG CAR  
INDUSTRY CO, LTD**, Ningbo (CN)

(72) Inventors: **Heng Wan**, Ningbo (CN); **Guoda Yan**,  
Ningbo (CN); **Zhengdong Jiang**,  
Ningbo (CN); **Zhenning Shu**, Ningbo  
(CN)

(73) Assignee: **Ningbo Jingcheng Car Industry Co,  
Ltd**, Ningbo (CN)

(\*\*) Term: **15 Years**

(21) Appl. No.: **29/566,481**

(22) Filed: **May 31, 2016**

(30) **Foreign Application Priority Data**

Dec. 4, 2015 (CN) ..... 2015 3 0502324

(51) **LOC (11) Cl.** ..... **12-16**

(52) **U.S. Cl.**  
USPC ..... **D12/400**

(58) **Field of Classification Search**  
USPC ..... D12/107, 110, 114, 115, 117, 126, 400,  
D12/401, 404, 415, 423, 179; D25/48.1,  
D25/48.3  
CPC . B60R 1/025; B60R 1/08; B62H 5/001; B62J  
9/006; B65D 43/16; B65D 43/22; B65D  
55/02; F21S 48/00; G01S 13/931  
See application file for complete search history.

(56) **References Cited**

**U.S. PATENT DOCUMENTS**

5,708,989 A \* 1/1998 Ellis ..... A47K 13/06  
4/237  
D396,476 S \* 7/1998 Shimizu ..... D15/1  
D580,847 S \* 11/2008 Mo ..... D12/415  
D581,432 S \* 11/2008 Lewis ..... D15/6

**OTHER PUBLICATIONS**

CNC Aluminum Folding Arm Tube Joint, image post date 2004, site  
visited May 10, 2017, (online), <[http://www.dhgate.com/store/  
product/z16-z22-cnc-aluminum-folding-arm-tube-joint/  
263634935.html](http://www.dhgate.com/store/product/z16-z22-cnc-aluminum-folding-arm-tube-joint/263634935.html)>.\*

(Continued)

*Primary Examiner* — Kevin K Rudzinski

(74) *Attorney, Agent, or Firm* — Loza & Loza, LLP;  
Heidi Eisenhut

(57) **CLAIM**

The ornamental design for an electric foldable device of a  
rearview mirror for automobiles, as shown and described.

**DESCRIPTION**

FIG. 1 is a front view of an electric foldable device of a  
rearview mirror for automobiles, according to the present  
invention.

FIG. 2 is a rear view of the electric foldable device of a  
rearview mirror for automobiles of FIG. 1;

FIG. 3 is a top view of the electric foldable device of a  
rearview mirror for automobiles of FIG. 1

FIG. 4 is a bottom view of the electric foldable device of a  
rearview mirror for automobiles of FIG. 1;

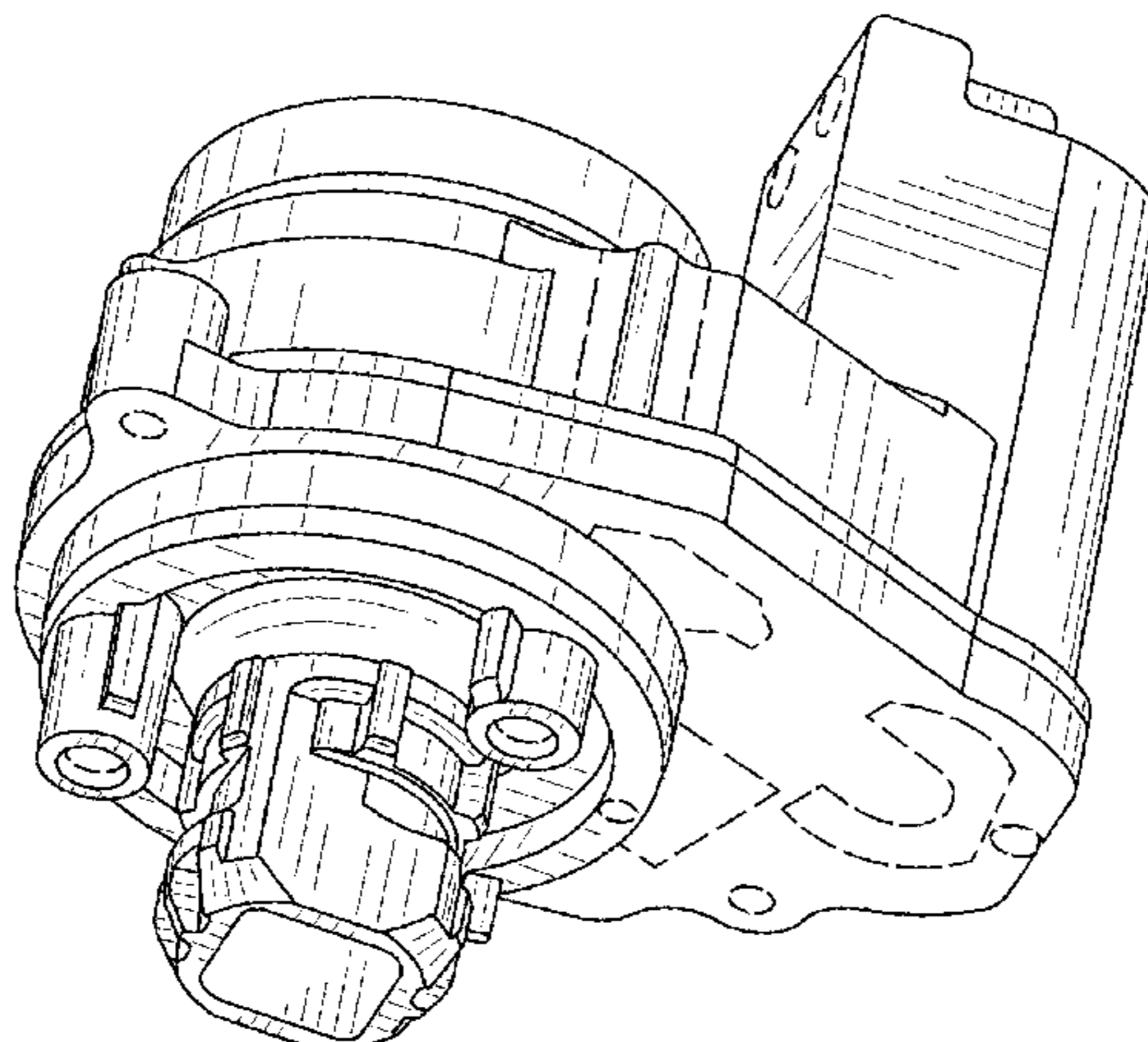
FIG. 5 is a left view of the electric foldable device of a  
rearview mirror for automobiles of FIG. 1;

FIG. 6 is a right view of the electric foldable device of a  
rearview mirror for automobiles of FIG. 1; and,

FIG. 7 is a perspective view of the electric foldable device  
of a rearview mirror for automobiles of FIG. 1.

The broken lines where present illustrate portions of the  
electric foldable device of rearview mirror for automobiles  
that form no part of the claimed design.

**1 Claim, 7 Drawing Sheets**



(56)

References Cited

U.S. PATENT DOCUMENTS

D681,782 S \* 5/2013 Bohm ..... D23/233  
 D686,955 S \* 7/2013 Asakura ..... D12/180  
 D687,070 S \* 7/2013 Liao ..... D15/5  
 D689,522 S \* 9/2013 Johnson ..... D15/1  
 D690,331 S \* 9/2013 Kitamura ..... D15/122  
 D718,337 S \* 11/2014 Mitsuda ..... D15/5  
 D722,327 S \* 2/2015 Sarder ..... D15/5  
 D723,062 S \* 2/2015 Isono ..... D15/5  
 D725,610 S \* 3/2015 Dasbach ..... D10/98  
 D732,082 S \* 6/2015 Porojan ..... D15/5  
 D732,083 S \* 6/2015 Porojan ..... D15/5  
 D736,671 S \* 8/2015 Kandakur ..... D12/47  
 D736,681 S \* 8/2015 Awasa ..... D12/160  
 D739,805 S \* 9/2015 Isono ..... D12/218  
 D741,754 S \* 10/2015 Cusack ..... D12/114  
 D742,387 S \* 11/2015 Xiang ..... D14/447  
 D742,566 S \* 11/2015 Kuriki ..... D26/28  
 D742,719 S \* 11/2015 Komura ..... D8/349  
 D743,326 S \* 11/2015 Keller ..... D12/425  
 D744,631 S \* 12/2015 Ehlert ..... D23/393  
 9,242,390 B2 \* 1/2016 Nicholson ..... B27B 9/02  
 9,455,522 B1 \* 9/2016 Ghannam ..... H01R 13/5202  
 D771,143 S \* 11/2016 Yu ..... D15/1  
 D773,995 S \* 12/2016 Jabaji ..... D13/112  
 D784,860 S \* 4/2017 Matsumura ..... D12/114  
 D784,997 S \* 4/2017 Cheng ..... D14/447  
 2001/0024333 A1 \* 9/2001 Rost ..... B60R 1/025  
 359/843  
 2009/0302610 A1 \* 12/2009 Kanai ..... F02B 63/04  
 290/47  
 2009/0318021 A1 \* 12/2009 Mulfinger ..... H01R 9/0518  
 439/582  
 2014/0090341 A1 \* 4/2014 Chen ..... A47L 9/1625  
 55/346  
 2014/0183194 A1 \* 7/2014 Ambriz ..... B65D 51/16  
 220/203.22  
 2014/0290634 A1 \* 10/2014 Slaughter ..... F01M 13/0416  
 123/573  
 2014/0346172 A1 \* 11/2014 Banerjee ..... B65D 43/22  
 220/257.1

2015/0285470 A1 \* 10/2015 Hatanaka ..... F21S 48/212  
 362/546  
 2016/0009463 A1 \* 1/2016 Stull, Sr. .... B65D 50/06  
 215/201  
 2016/0016712 A1 \* 1/2016 Su ..... B25H 3/04  
 206/349  
 2016/0123546 A1 \* 5/2016 Hu ..... F21V 21/30  
 362/235  
 2016/0214775 A1 \* 7/2016 Aff ..... B65D 11/04  
 2017/0099969 A1 \* 4/2017 Coon ..... A47G 19/2272

OTHER PUBLICATIONS

Strida Folding Bike Strida Ball Joint Socket, image post date Jan. 18, 2015, site visited May 10, 2017, (online), <<http://www.ebay.com/itm/Strida-Folding-Bike-Strida-Ball-Joint-Socket-Spare-Parts-For-Strida-Bikes-/151547410470>>.\*  
 Tactical AR15 M4 Front and Rear Offset 45 Degree Flip Up Iron Sight, image post date Oct. 28, 2014, site visited May 10, 2017, (online), <<http://www.dhgate.com/store/product/vector-optics-tactical-ar15-m4-front-and/212244114.html>>.\*  
 CD219410AL Power Mirror, image post date 2008, site visited May 10, 2017, (online), <[http://www.pilotautomotive.com/mirror/CD219410AL\\_Cadillac\\_1.html](http://www.pilotautomotive.com/mirror/CD219410AL_Cadillac_1.html)>.\*  
 Rear View Power Mirror Switch Folding, image post date 2010, site visited May 10, 2017, (online), <[https://www.aliexpress.com/store/product/Original-Rear-View-Power-Mirror-Switch-Folding-for-GMC-Sierra-Chevrolet-Tahoe-Silverado-Suburban-22754407/1702308\\_32542686348.html](https://www.aliexpress.com/store/product/Original-Rear-View-Power-Mirror-Switch-Folding-for-GMC-Sierra-Chevrolet-Tahoe-Silverado-Suburban-22754407/1702308_32542686348.html)>.\*  
 VW OEM Chrome Electric Rearview Mirror Adjust Switch Knob With Folding, image post date 2010, site visited May 10, 2017, (online), <<https://www.aliexpress.com/item/VW-OEM-Chrome-Electric-Rearview-Mirror-Adjust-Switch-Knob-With-Folding-For-A6-allroad-quattro-S6/32653135652.html>>.\*  
 Rearview Mirror Switch Knob Side View Mirror Regulation Button Switch, image post date 2010, site visited May 10, 2017, (online), <<https://www.aliexpress.com/item/Rearview-Mirror-Switch-Knob-Side-View-Mirror-Regulation-Button-Switch-For-Citroen-Elysee/32731695306.html?spm=2114.40010308.4.182.c0116c>>.\*

\* cited by examiner

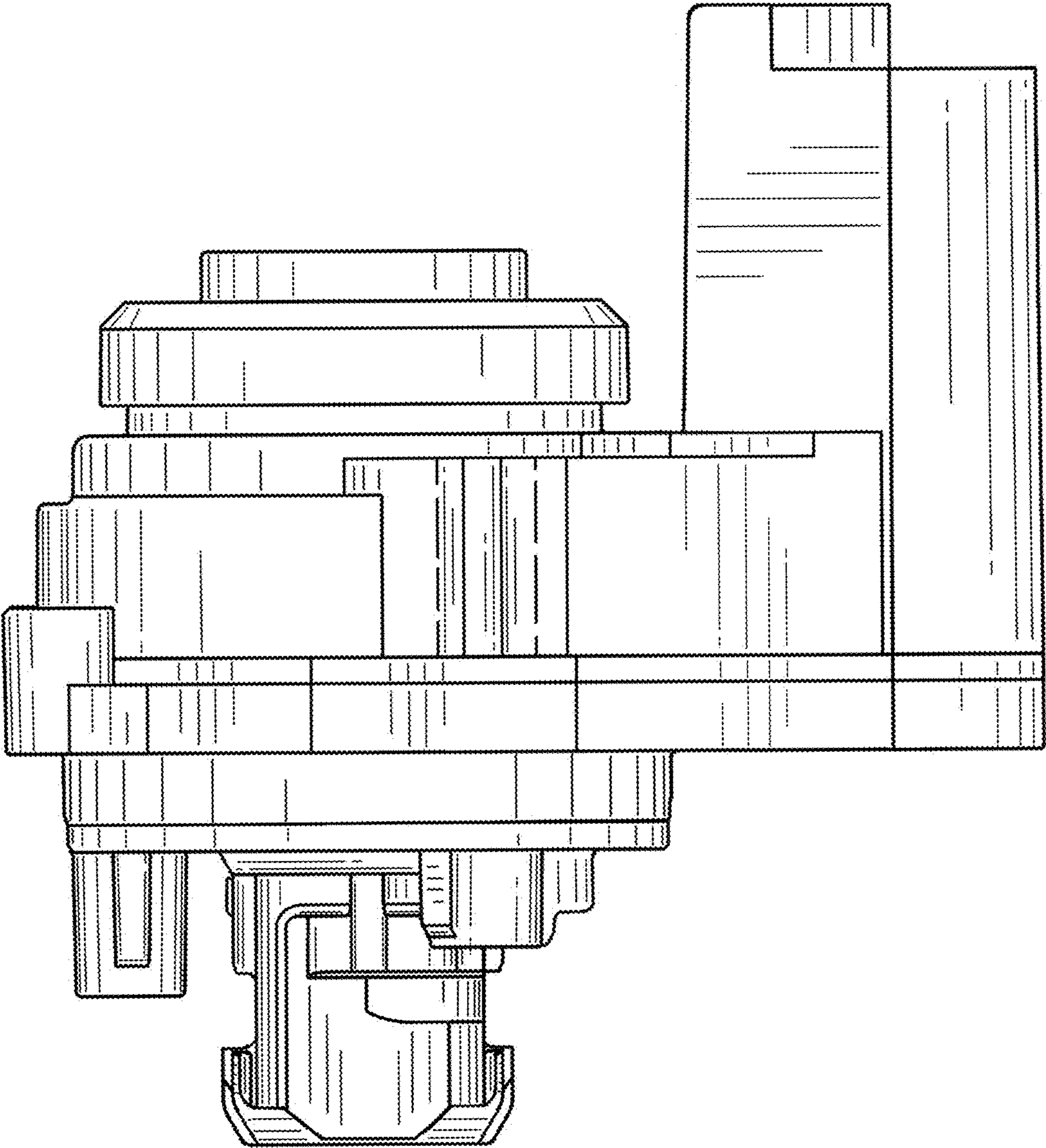


Fig. 1

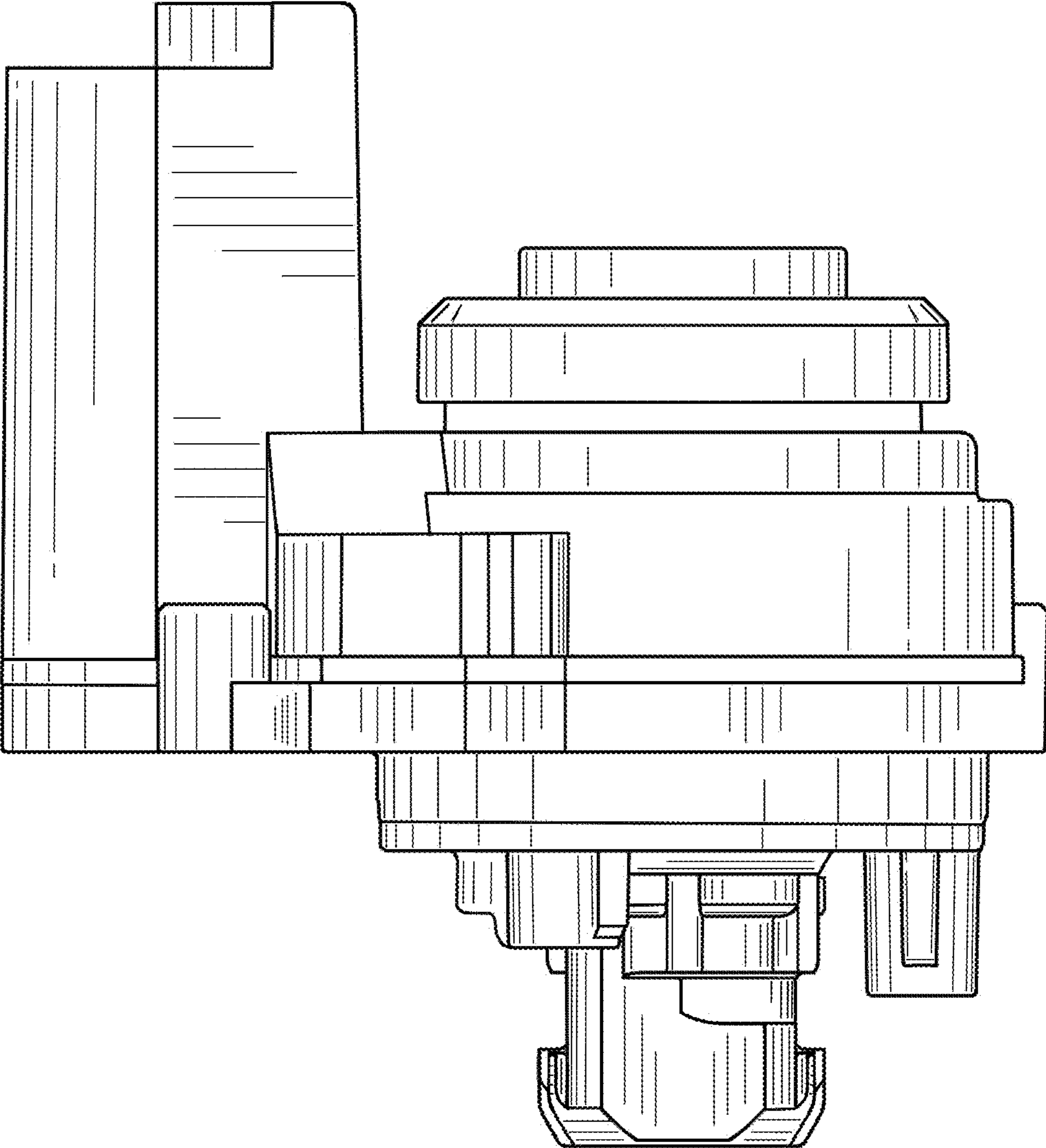


Fig. 2

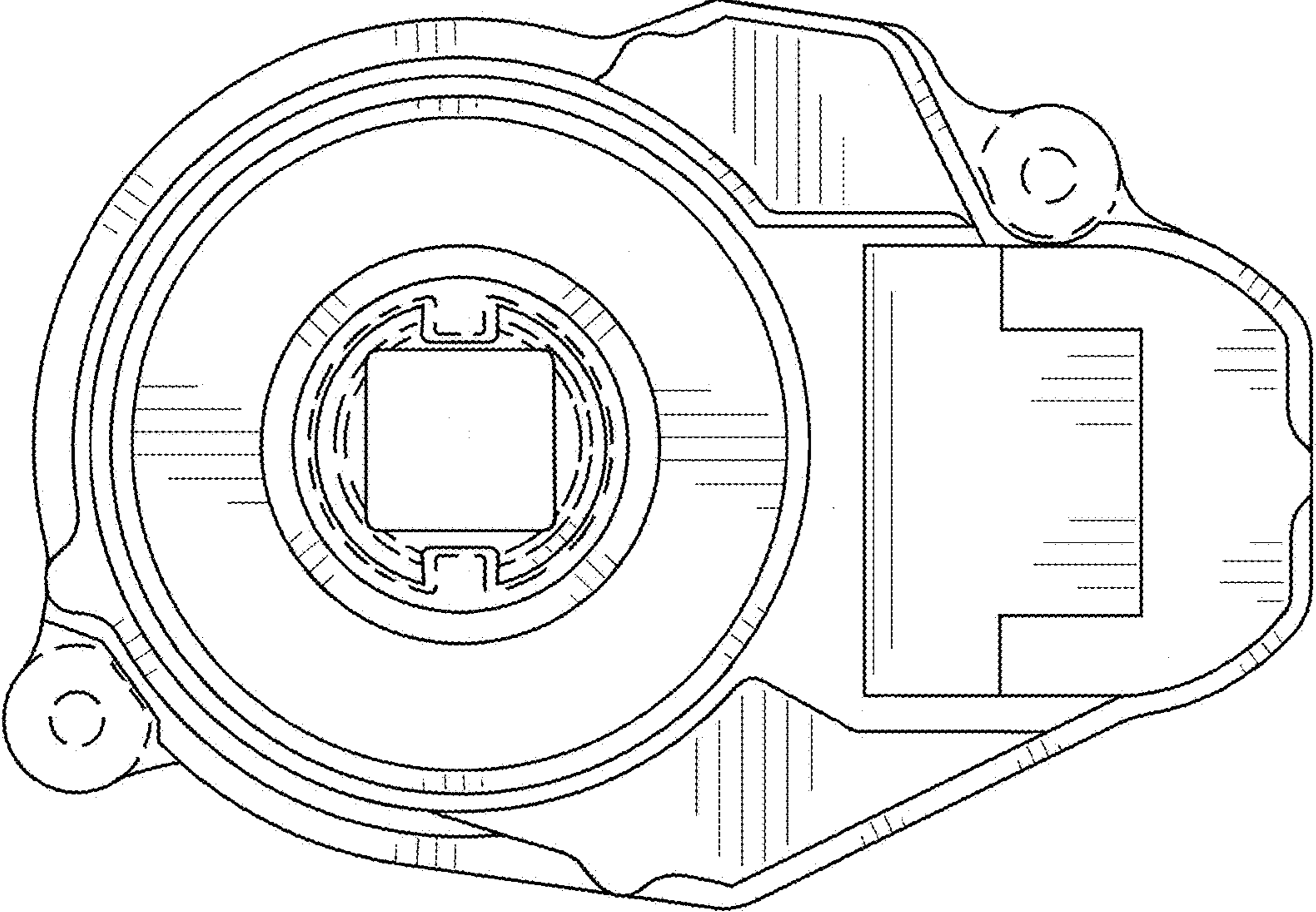


Fig. 3

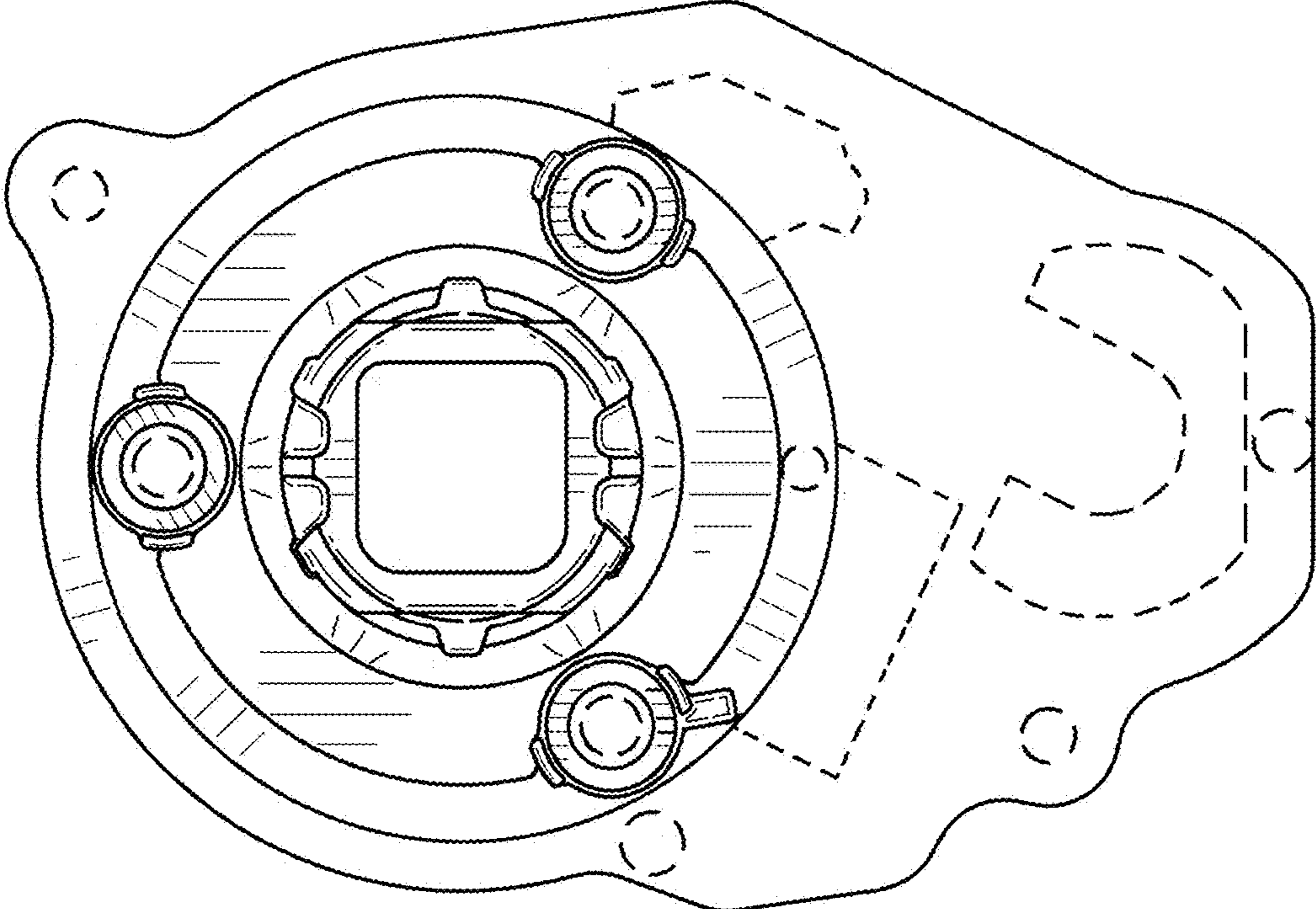


Fig. 4

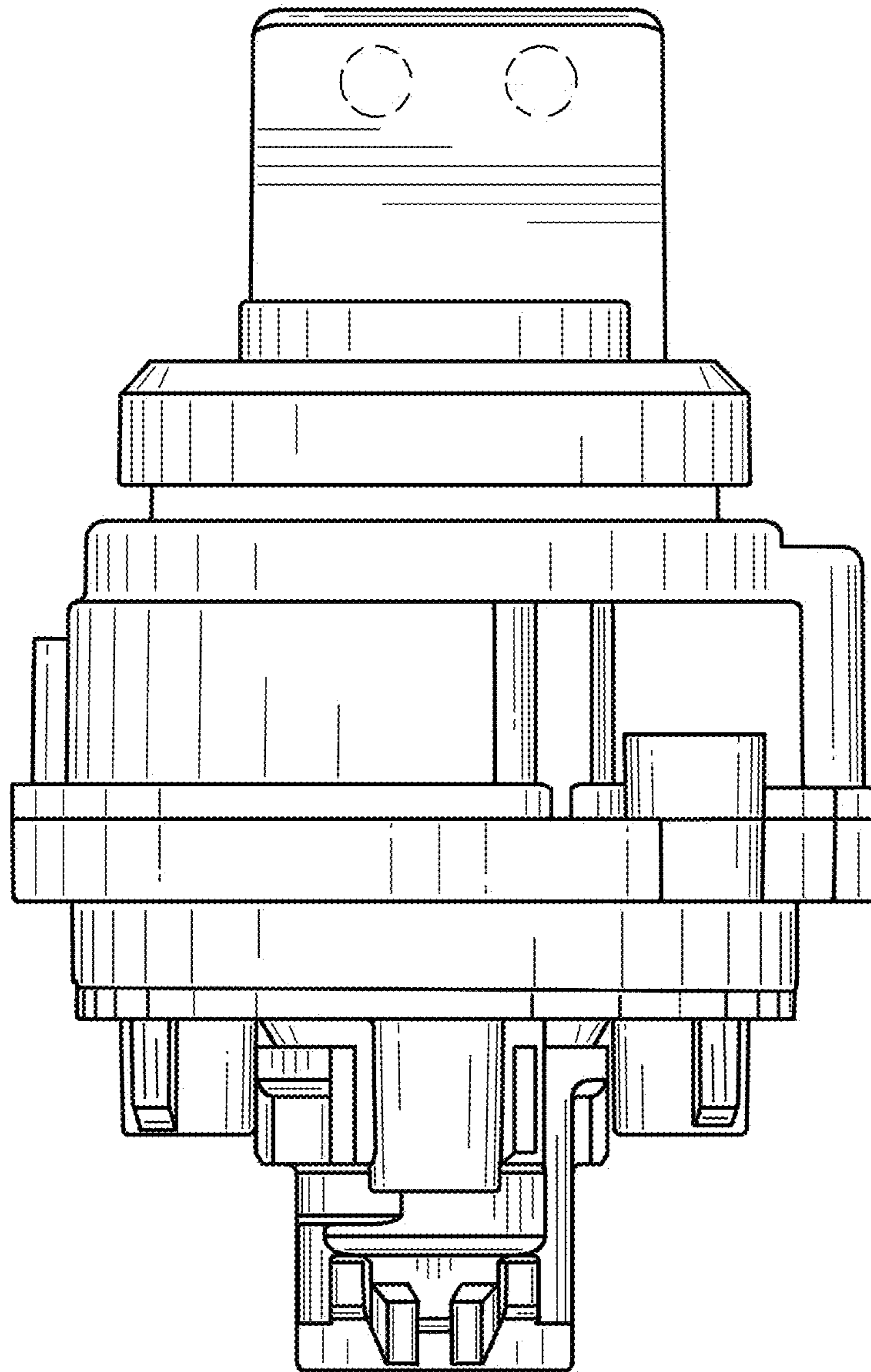


Fig. 5

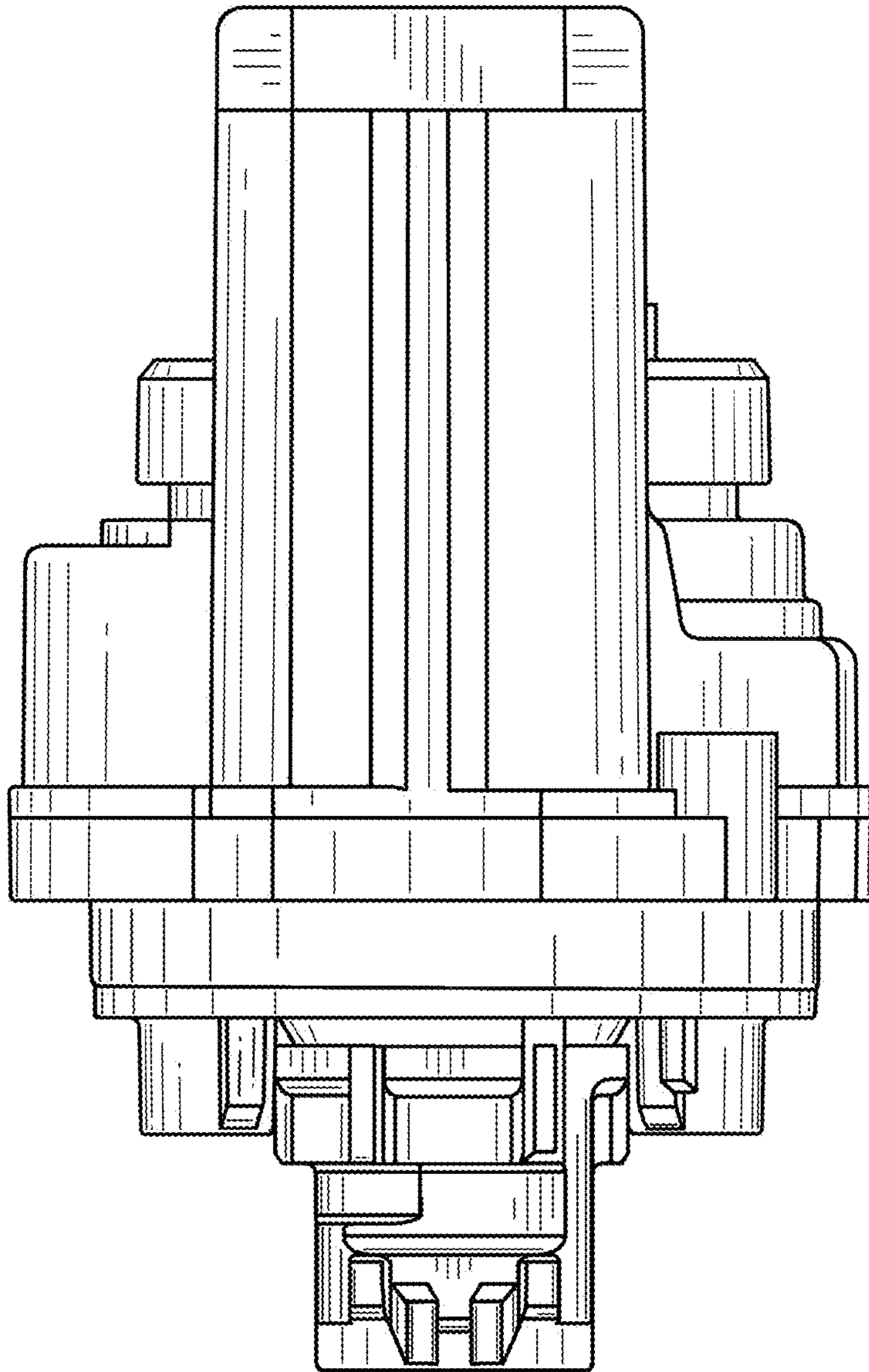


Fig. 6



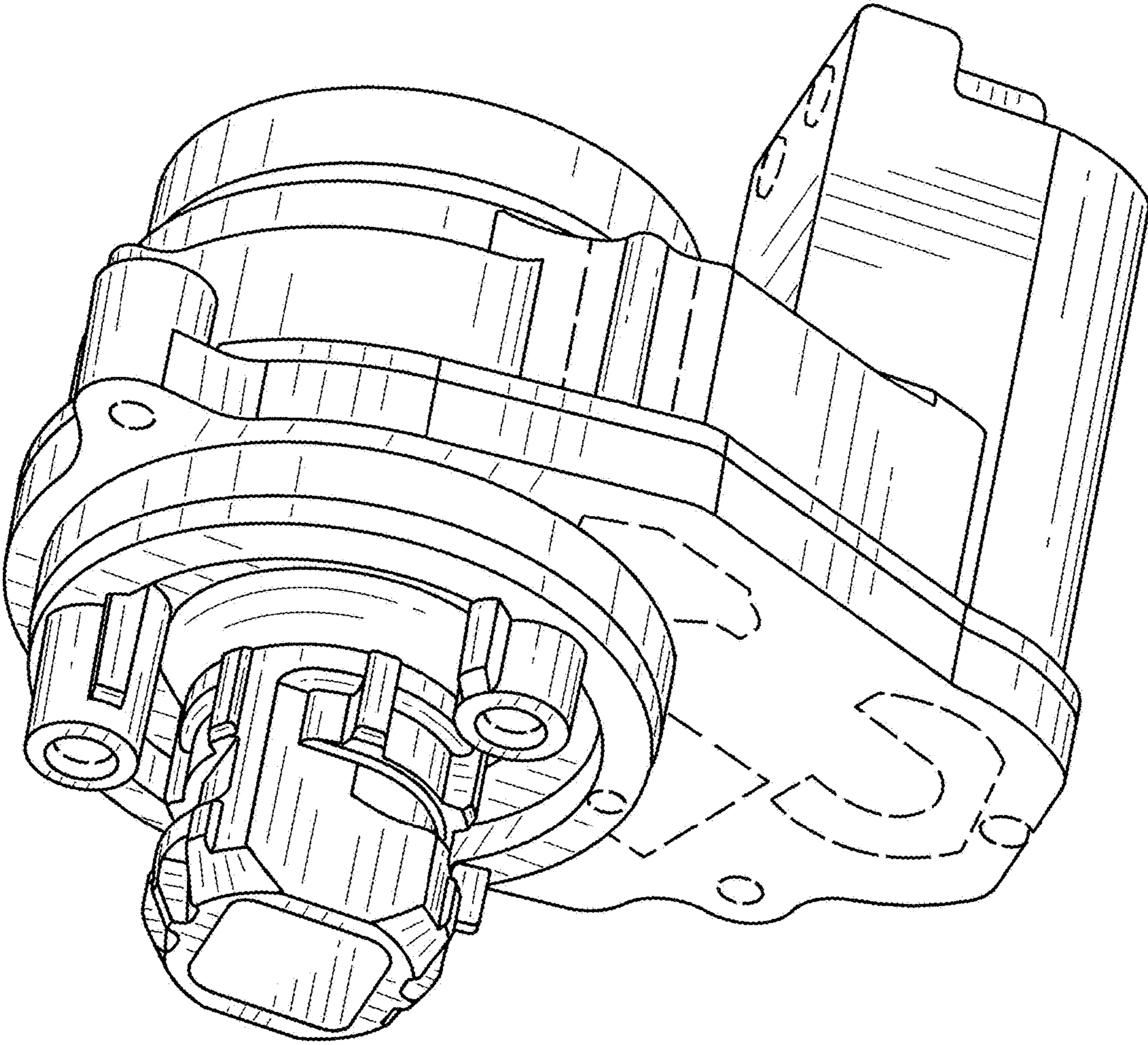


Fig. 7