



US00D821956S

(12) **United States Design Patent**  
**Loicq**

(10) **Patent No.:** **US D821,956 S**  
(45) **Date of Patent:** **\*\* Jul. 3, 2018**

(54) **ROWING BOAT WITH REMOVABLE HARD COVER**

(71) Applicant: **Benoît Loicq**, Milin (BE)

(72) Inventor: **Benoît Loicq**, Milin (BE)

(\*\*) Term: **15 Years**

(21) Appl. No.: **35/502,856**

(22) Filed: **Oct. 24, 2016**

(80) **Hague Agreement Data**

Int. Filing Date: **Oct. 24, 2016**

Int. Reg. No.: **DM/093888**

Int. Reg. Date: **Oct. 24, 2016**

Int. Reg. Pub. Date: **Apr. 28, 2017**

(51) **LOC (11) Cl.** ..... **12-16**

(52) **U.S. Cl.**  
USPC ..... **D12/302**

(58) **Field of Classification Search**  
USPC ..... D12/300-302  
CPC ..... A63B 69/06; A63B 22/0076; B63B 1/04;  
B63B 35/71  
See application file for complete search history.

(56) **References Cited**

**U.S. PATENT DOCUMENTS**

- 3,611,461 A \* 10/1971 Wurzberger ..... B63B 5/24  
114/357
- D233,424 S \* 10/1974 Lettmann ..... D12/302
- D234,397 S \* 2/1975 Eriksen ..... D12/302
- 3,869,743 A \* 3/1975 Brown ..... B63B 7/06  
114/354
- 4,229,850 A \* 10/1980 Arcouette ..... B63B 7/00  
114/347
- D358,573 S \* 5/1995 Lockwood ..... D12/302

- D370,454 S \* 6/1996 Lockwood ..... D12/300
- D397,668 S \* 9/1998 Lincoln ..... D12/300
- 6,006,691 A \* 12/1999 Wilce ..... A44B 19/32  
114/353
- D418,802 S \* 1/2000 Lockwood ..... D12/302
- D419,128 S \* 1/2000 Lockwood ..... D12/302
- D425,852 S \* 5/2000 Lockwood ..... D12/300
- D569,780 S \* 5/2008 Rawson ..... D12/302
- D724,000 S \* 3/2015 Lockwood ..... D12/302

\* cited by examiner

*Primary Examiner* — Michael A. Pratt

(57) **CLAIM**

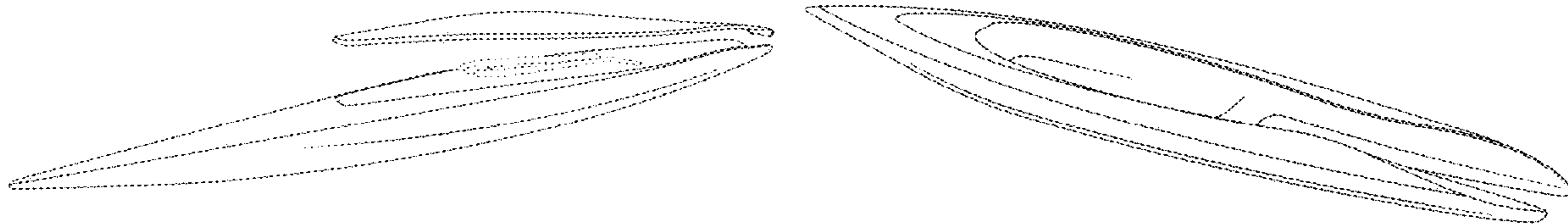
The ornamental design for a rowing boat with removable hard cover, as shown and described.

**DESCRIPTION**

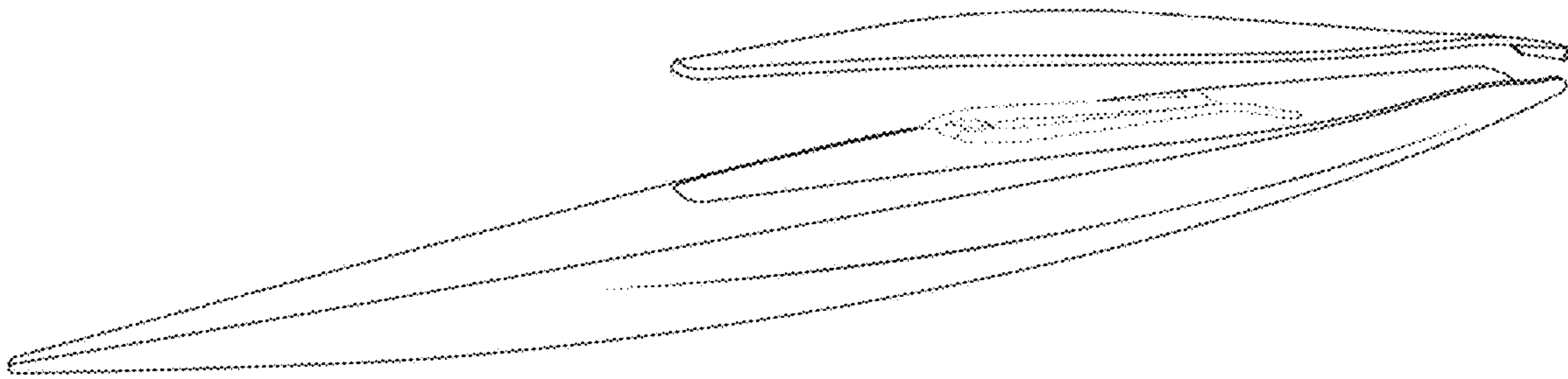
- 1. Rowing boat with removable hard cover
- 1.1 : Perspective
- 1.2 : Perspective
- 1.3 : Front
- 1.4 : Back
- 1.5 : Top
- 1.6 : Bottom
- 1.7 : Left

Perspective view **1.1** shows a removable boat hard cover designed to be mounted on car roof racks for transportation of the boat; top view **1.5** shows the deck and aft part of the boat shaped like a swallow's tail; bottom view **1.6** shows the hull and V-shaped bow dividing into a double catamaran hull shape; the right side view is omitted because it is a mirror image of the left side view; the parts shown by means of broken lines in the reproductions are not part of the claimed design.

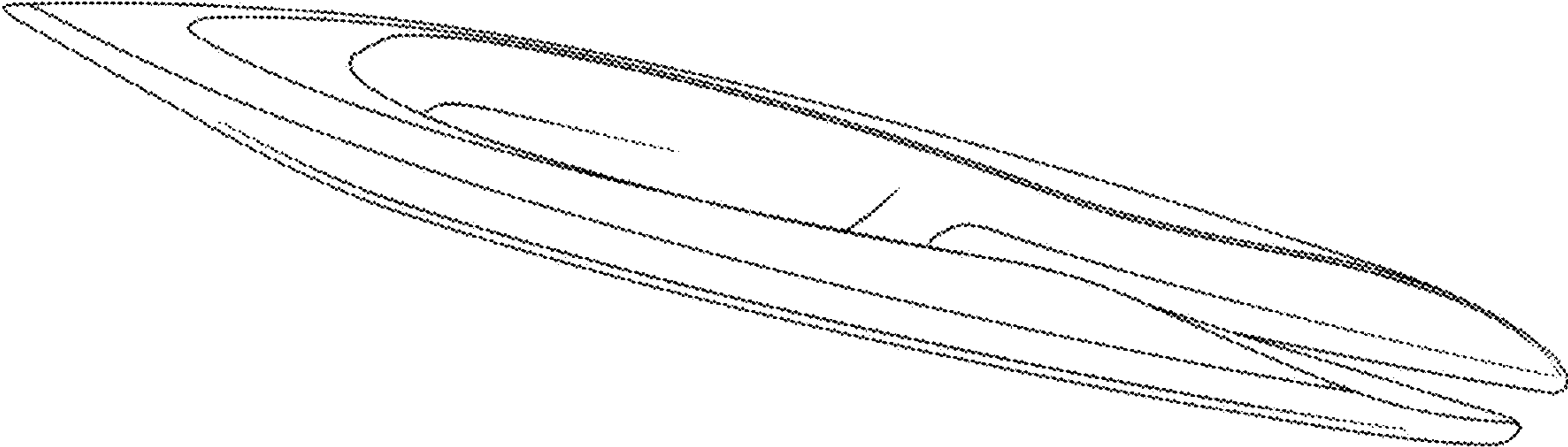
**1 Claim, 7 Drawing Sheets**

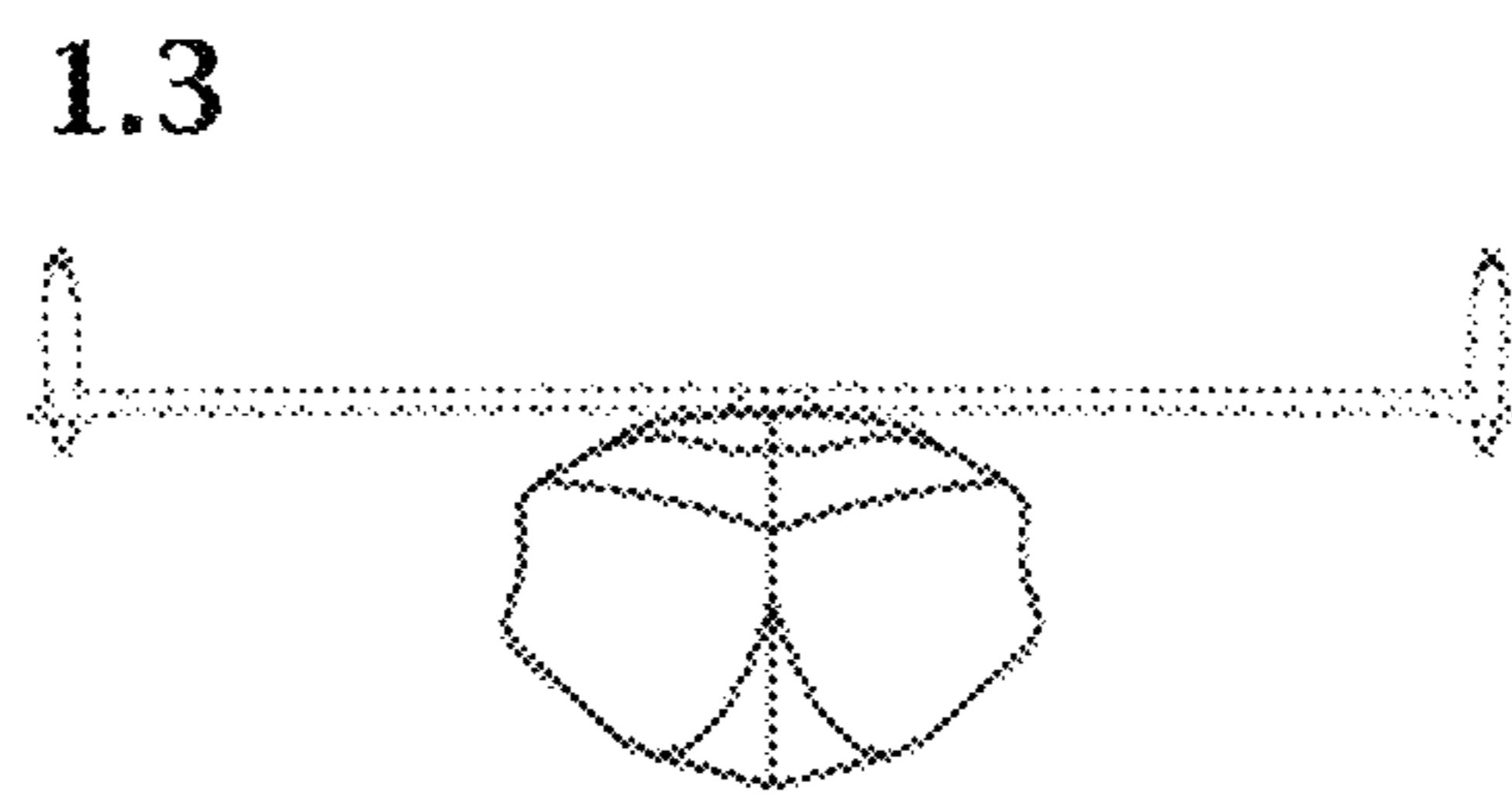


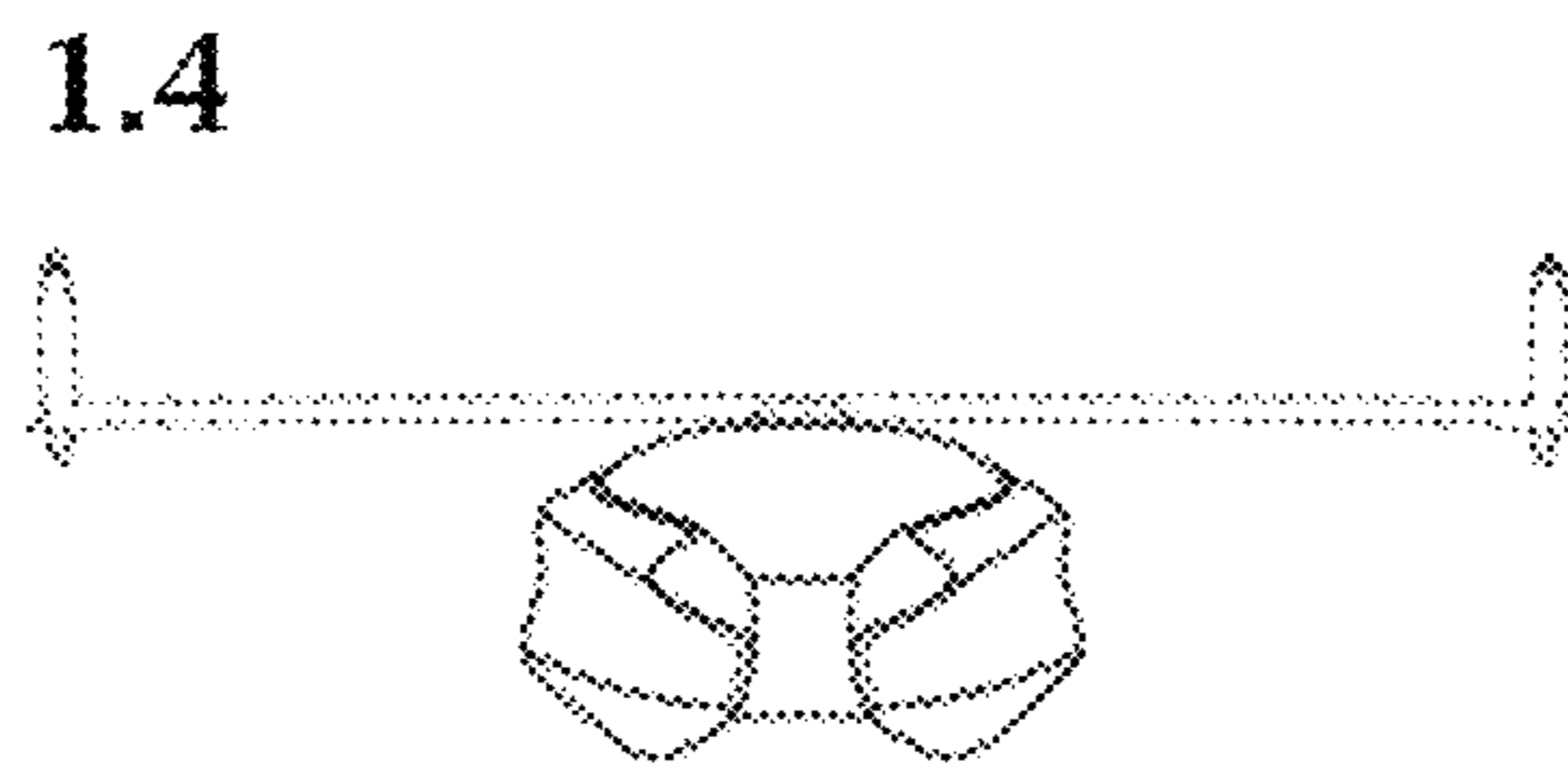
1.1



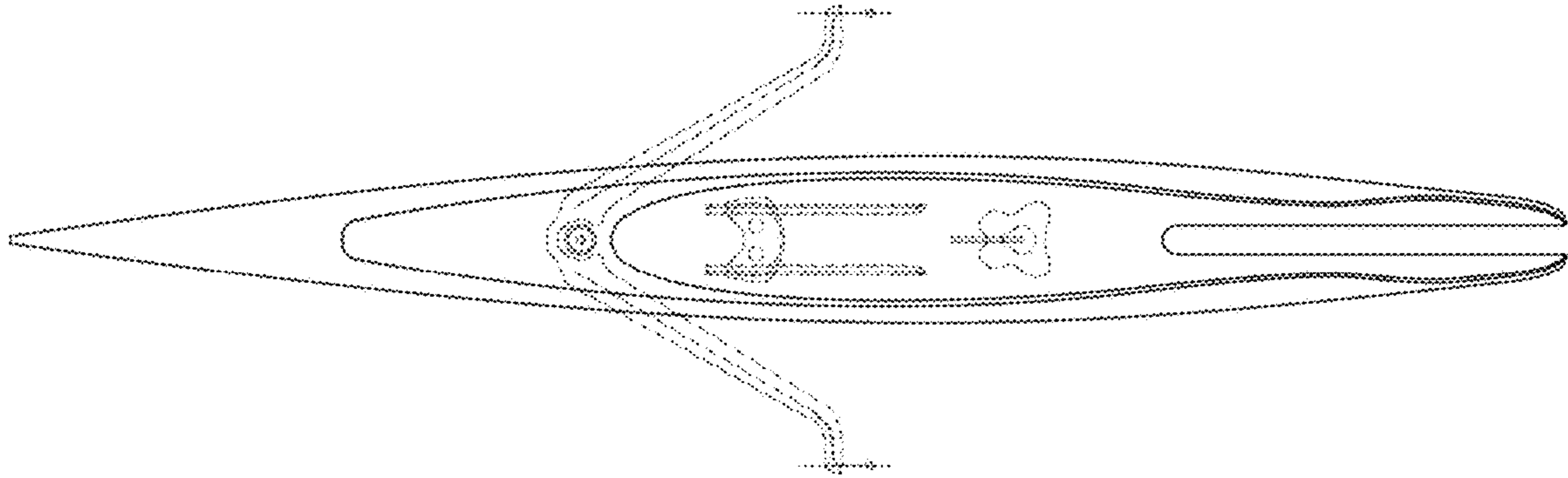
1.2



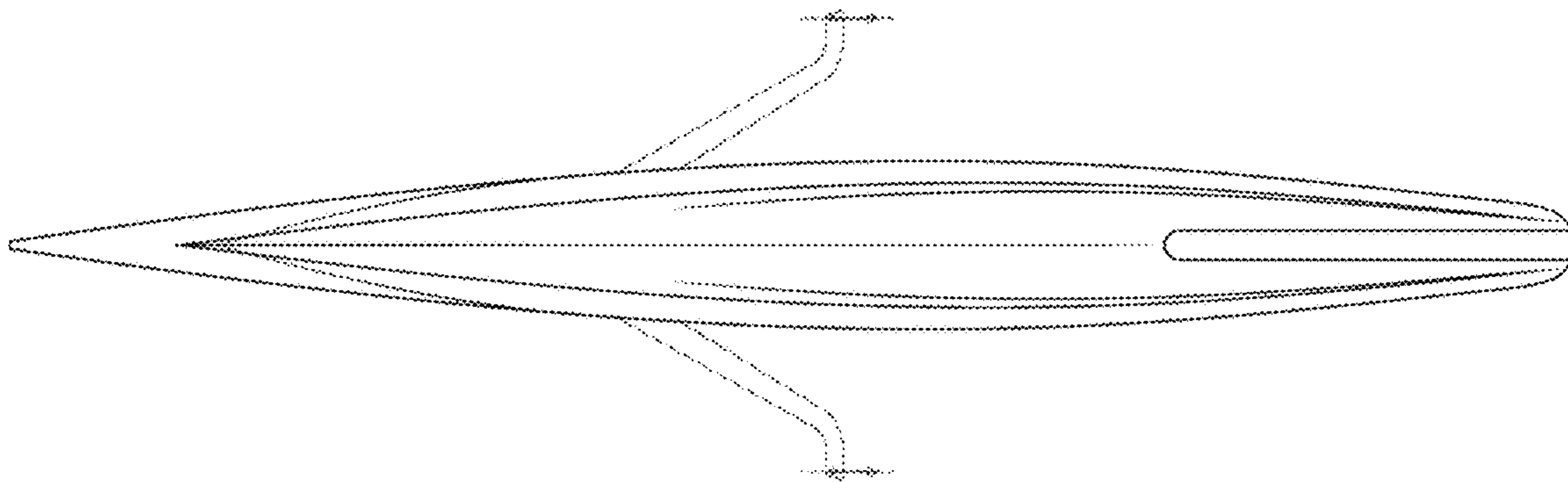




1.5



1.6



1.7

