



US00D821954S

(12) **United States Design Patent** (10) **Patent No.:** **US D821,954 S**
Hyun et al. (45) **Date of Patent:** **** Jul. 3, 2018**

(54) **WINDSCREEN WIPER**
(71) Applicant: **CAP Corporation**, Gyeongsangbuk-do (KR)
(72) Inventors: **Seung Chul Hyun**, Gyeonggi-do (KR); **Myoung Yeon Kim**, Ulsan (KR); **Sang Yeon Lee**, Gyeongsangbuk-do (KR)
(73) Assignee: **CAP CORPORATION**, Gyeongsangbuk-Do (KR)

(**) Term: **15 Years**

(21) Appl. No.: **29/564,807**

(22) Filed: **May 16, 2016**

(30) **Foreign Application Priority Data**
Nov. 16, 2015 (KR) 30-2015-0057627
(51) **LOC (11) Cl.** **12-16**
(52) **U.S. Cl.**
USPC **D12/219**
(58) **Field of Classification Search**
USPC D12/219, 220
CPC B60S 2001/3815; B60S 1/4003; B60S 1/3801
See application file for complete search history.

(56) **References Cited**
U.S. PATENT DOCUMENTS
D379,613 S 6/1997 Chen
D382,848 S 8/1997 Chen
D568,801 S * 5/2008 Machida D12/219
D660,773 S * 5/2012 Chien D12/219
D685,712 S * 7/2013 An D12/219
D685,713 S * 7/2013 Wang D12/219
D687,759 S * 8/2013 An D12/219
D688,192 S * 8/2013 An D12/219
D692,818 S * 11/2013 Tolentino D12/219
D700,126 S * 2/2014 An D12/219
D740,737 S * 10/2015 Hyun D12/219

2008/0083082 A1 4/2008 Rovaart et al.
2011/0162161 A1 7/2011 Amado
2011/0277266 A1 11/2011 Umeno
(Continued)

OTHER PUBLICATIONS

ipdusa.com. "120312—Windshield Wiper Blad Set—P80 850 S70 V70 C70—31276592" Retrieved May 23, 2017. (<https://www.ipdusa.com/products/9008/120312windshieldwiperbladsetp80850s70v70c70>).*

Primary Examiner — Karen S Acker
Assistant Examiner — Jerry Shiuan-Hua Hsu
(74) *Attorney, Agent, or Firm* — Grossman, Tucker, Perreault & Pfeleger, PLLC

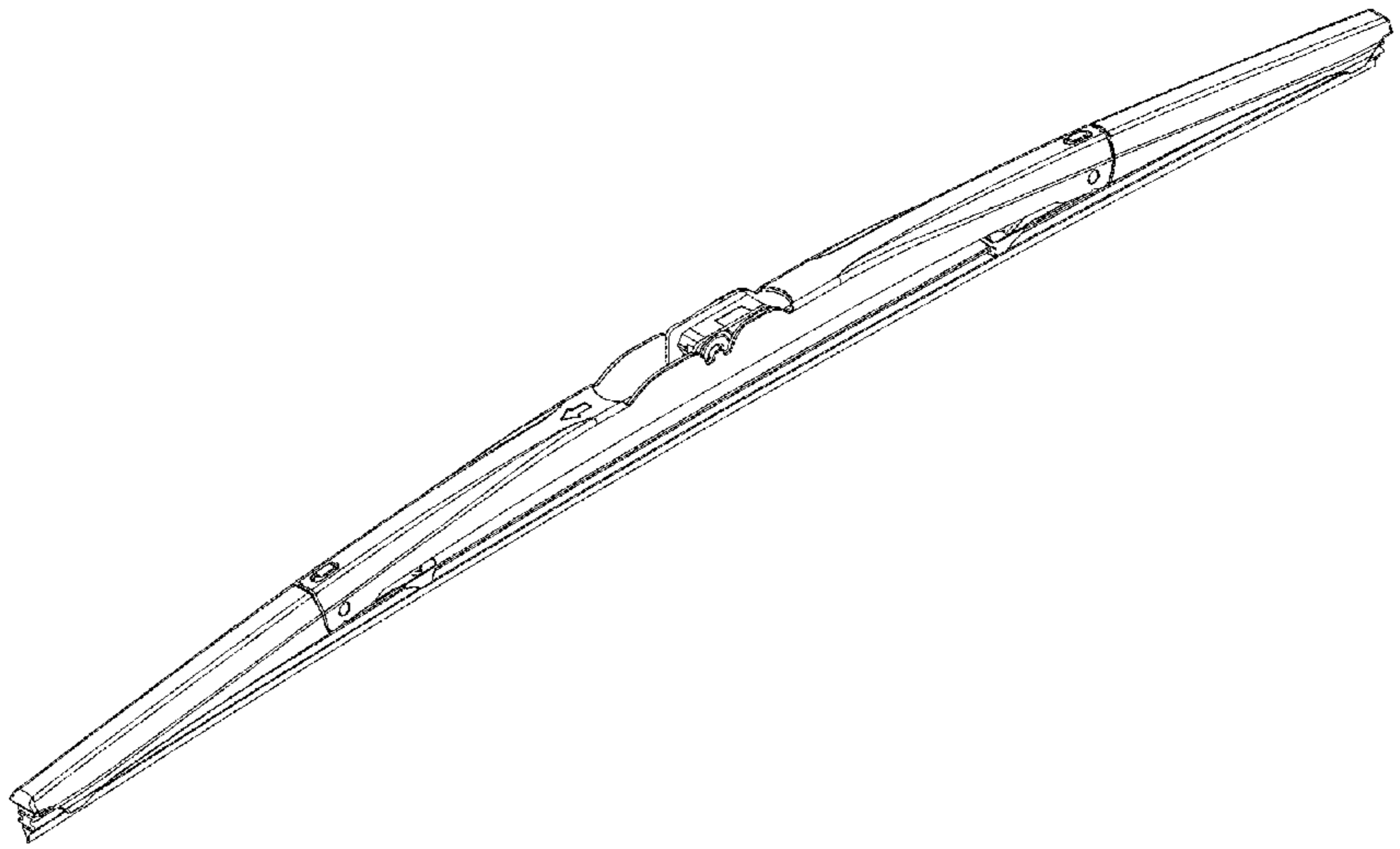
(57) **CLAIM**

The ornamental design for the windscreen wiper, as shown and described.

DESCRIPTION

FIG. 1 is a perspective view of a windscreen wiper showing our new design.
FIG. 2 is a front view thereof.
FIG. 3 is a rear view thereof.
FIG. 4 is a magnified left side view thereof.
FIG. 5 is a magnified right side view thereof.
FIG. 6 is a top plan view thereof.
FIG. 7 is a bottom plan view thereof.
FIG. 8 is a detailed view of area 8 in FIG. 2. The other end is the same.
FIG. 9 is a detailed view of area 9 in FIG. 6. The other end is the same.
FIG. 10 is a detailed view of area 10 in FIG. 7. The other end is the same; and,
FIG. 11 is a detailed view of area 11 in FIG. 10.
The broken lines illustrating areas of the detail views form no part of the claimed design. The remaining broken lines illustrate portions of the windscreen wiper that form no part of the claimed design.

1 Claim, 11 Drawing Sheets



(56)

References Cited

U.S. PATENT DOCUMENTS

2014/0053361	A1*	2/2014	Amano	B60S 1/3801 15/250.453
2014/0068887	A1*	3/2014	Lee	B60S 1/3801 15/250.32
2014/0123429	A1*	5/2014	Lee	B60S 1/3801 15/250.201
2016/0185320	A1*	6/2016	An	B60S 1/3801 15/250.351

* cited by examiner

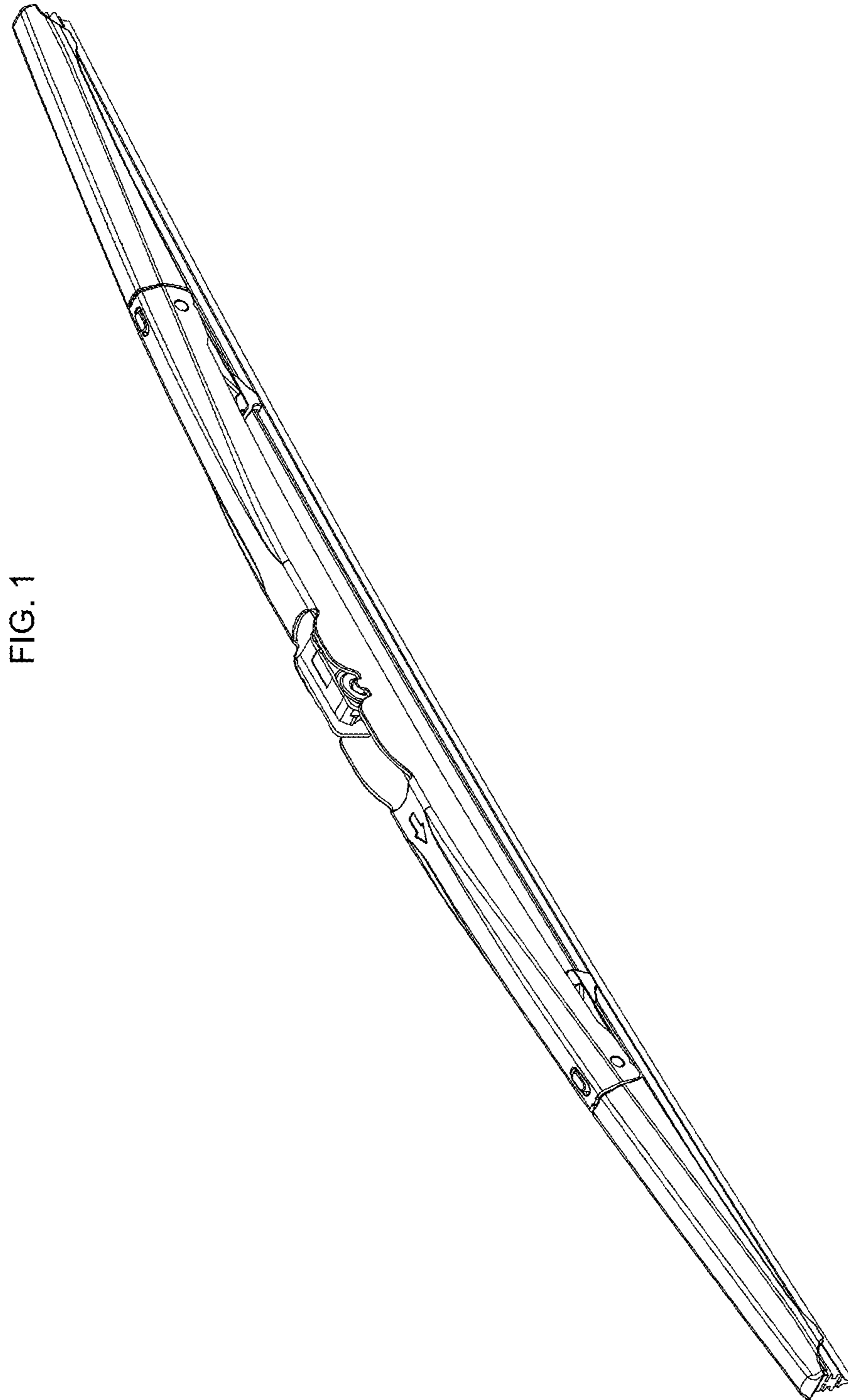
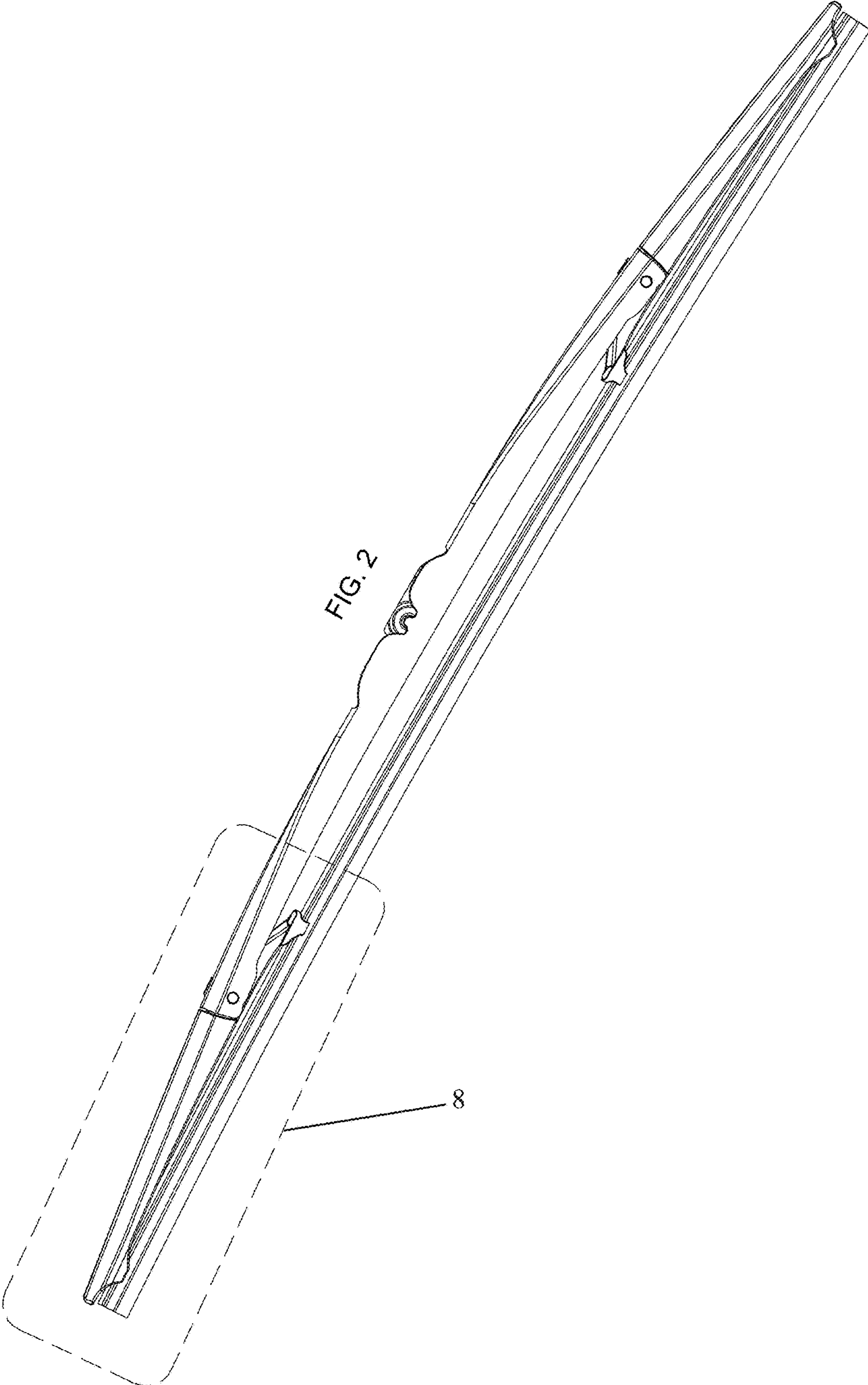


FIG. 1



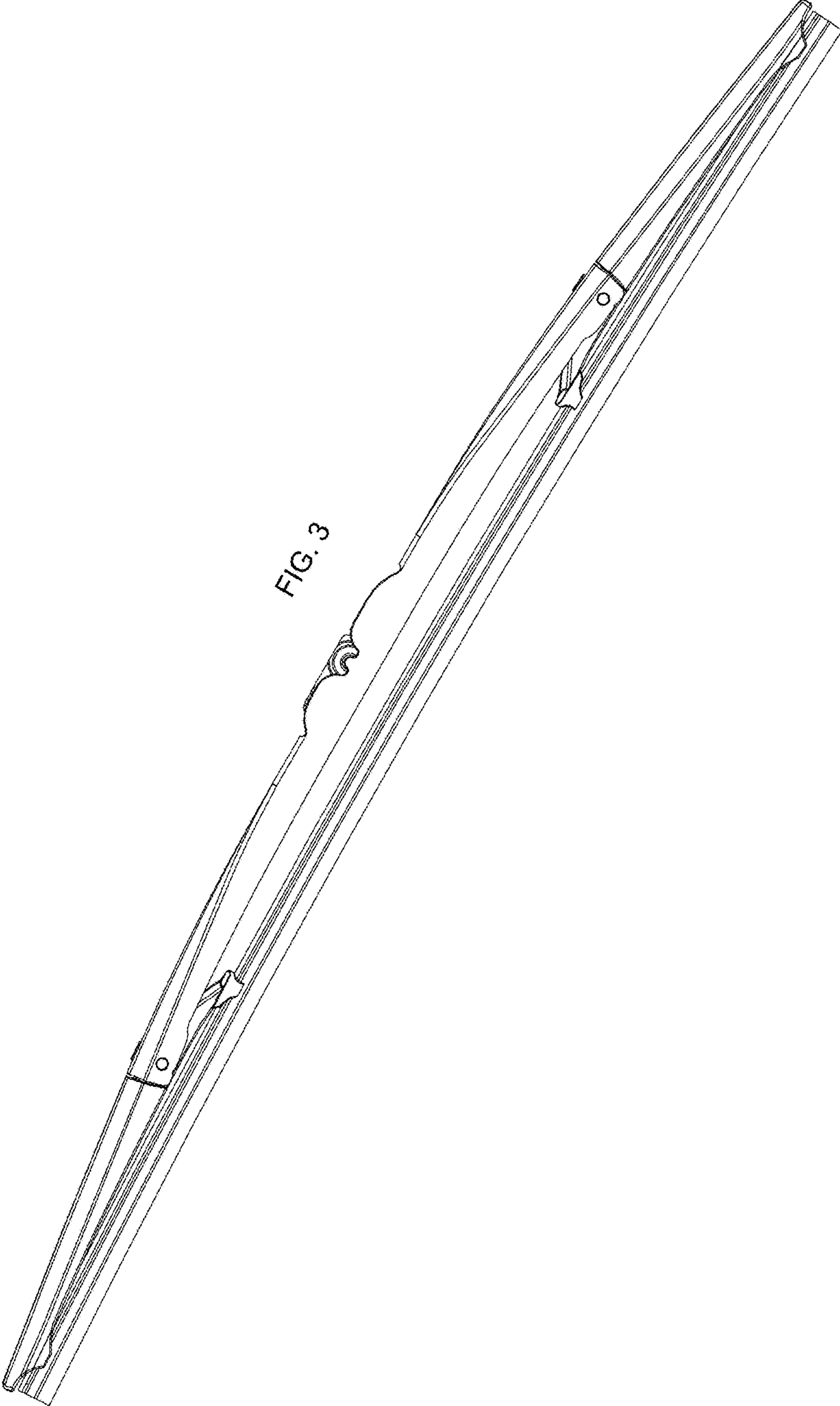


FIG. 4

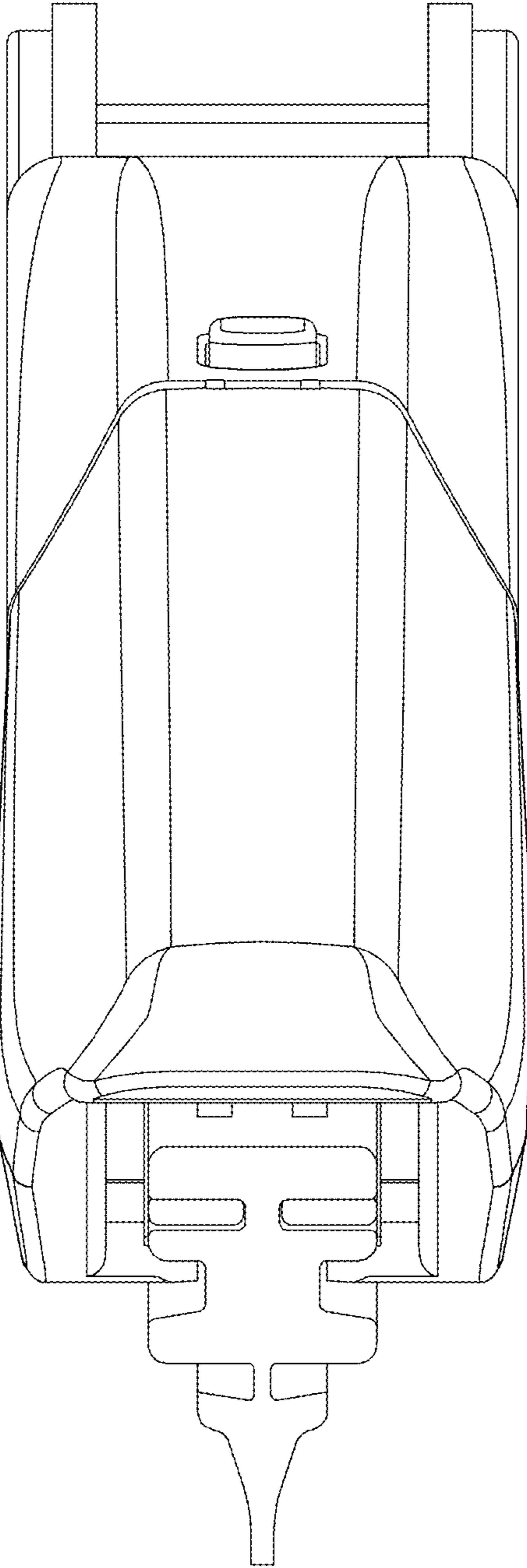
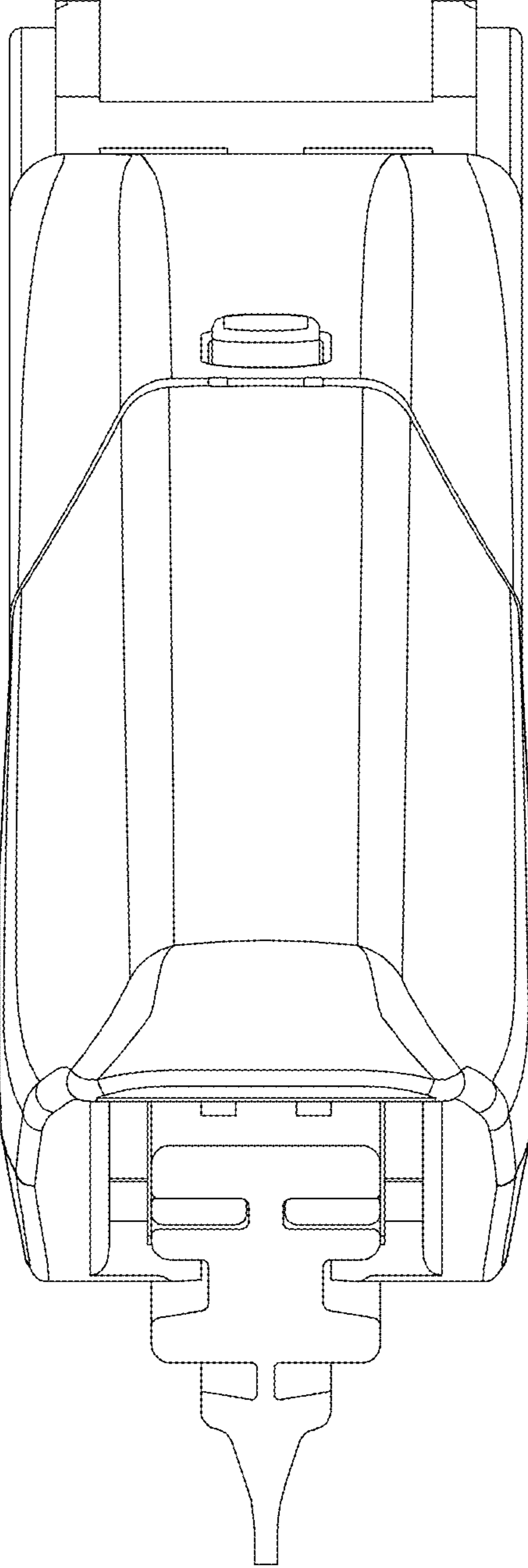
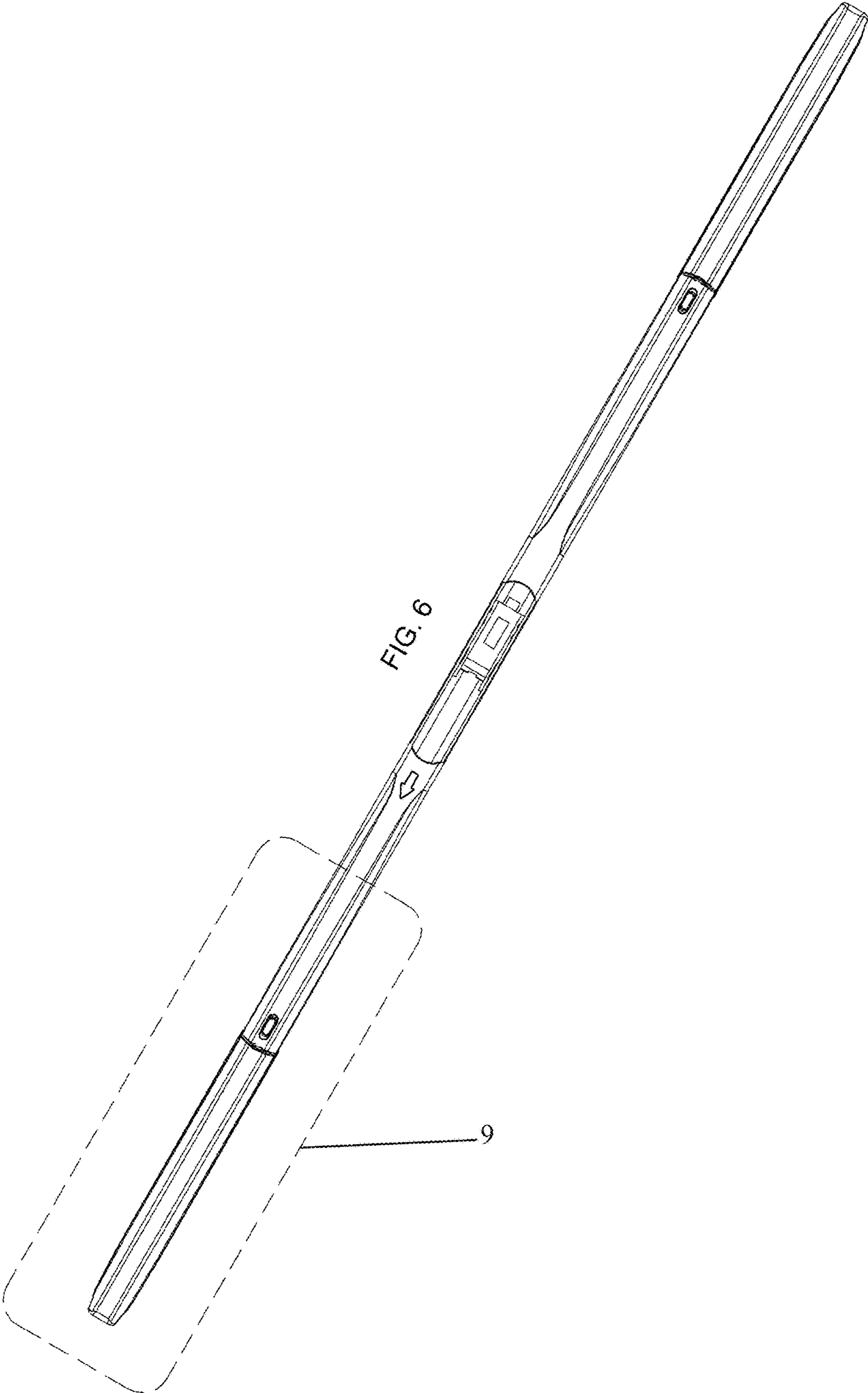


FIG. 5





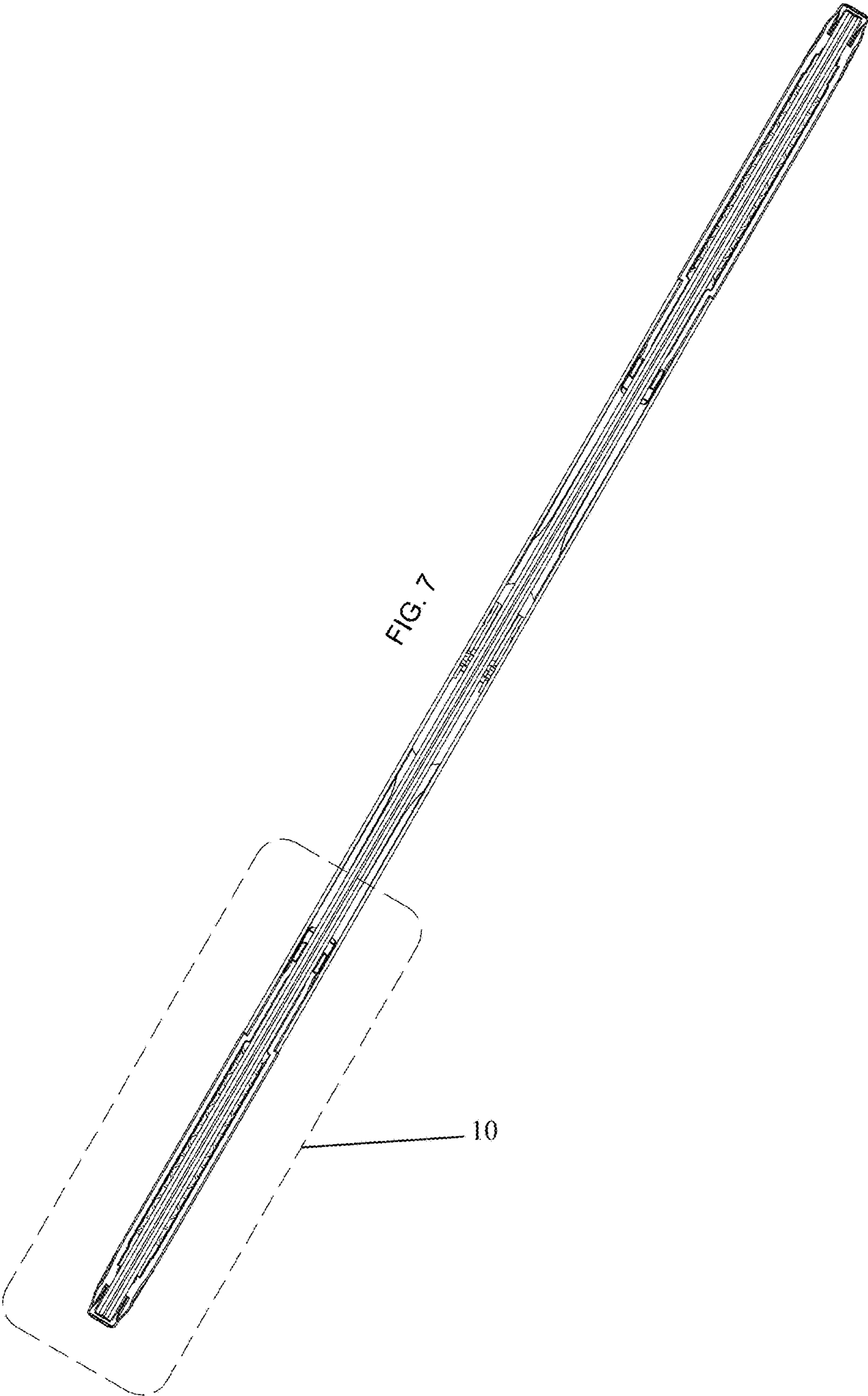


FIG. 8

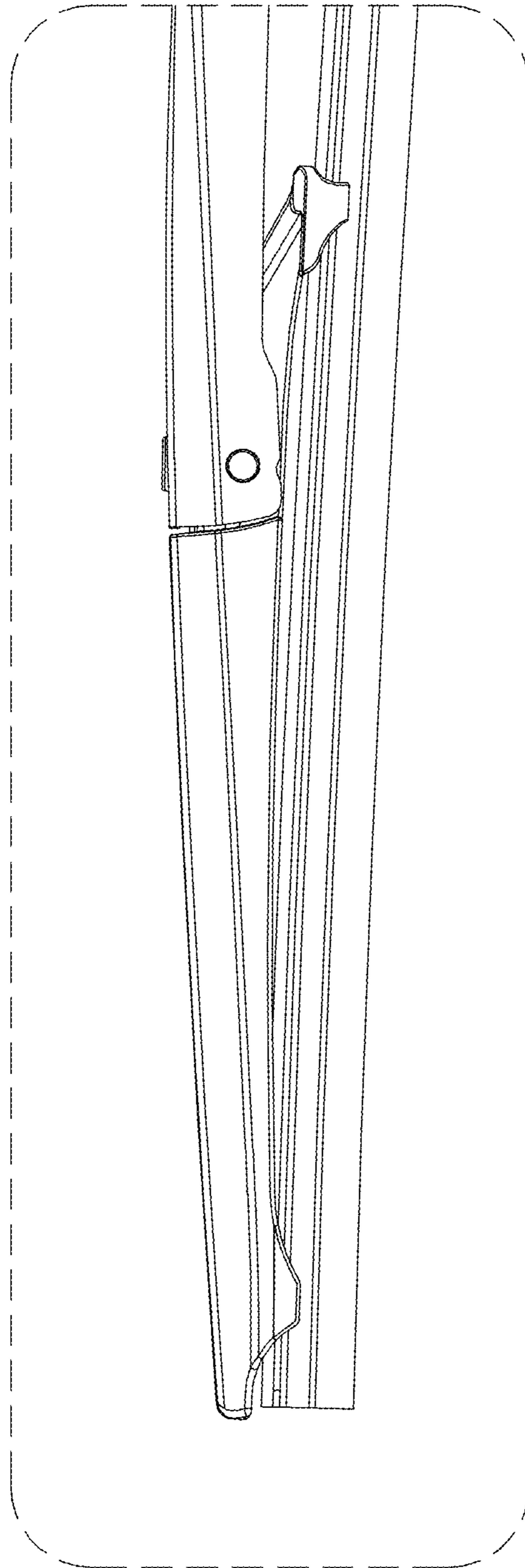


FIG. 9

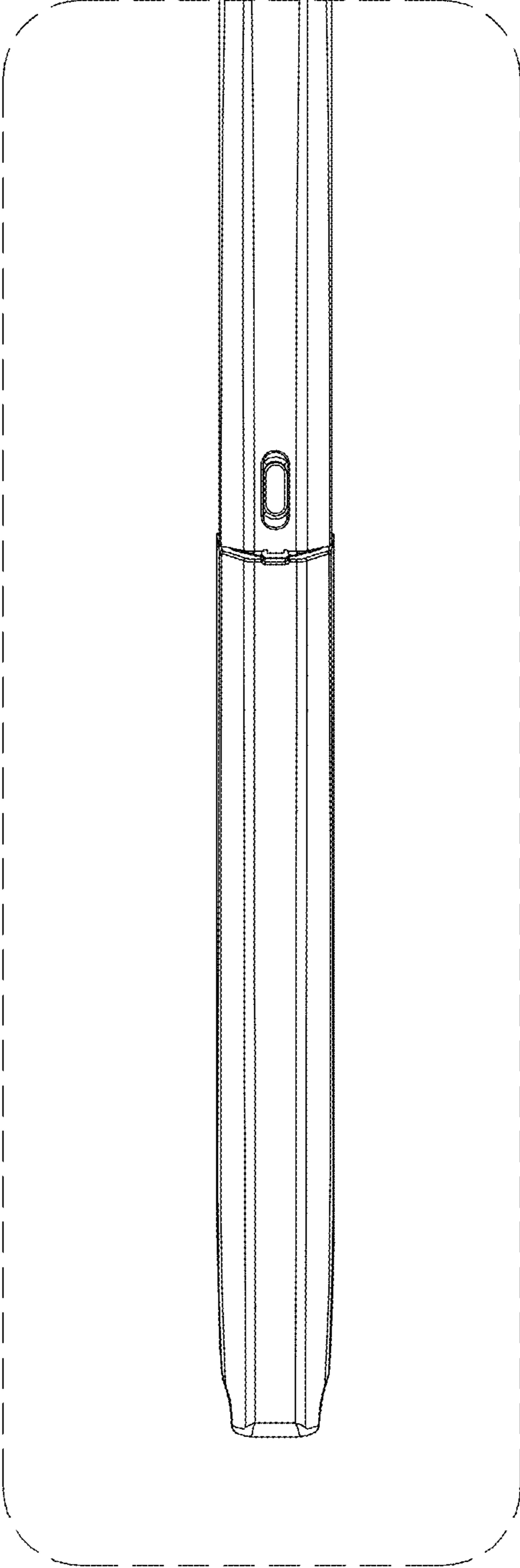


FIG. 10

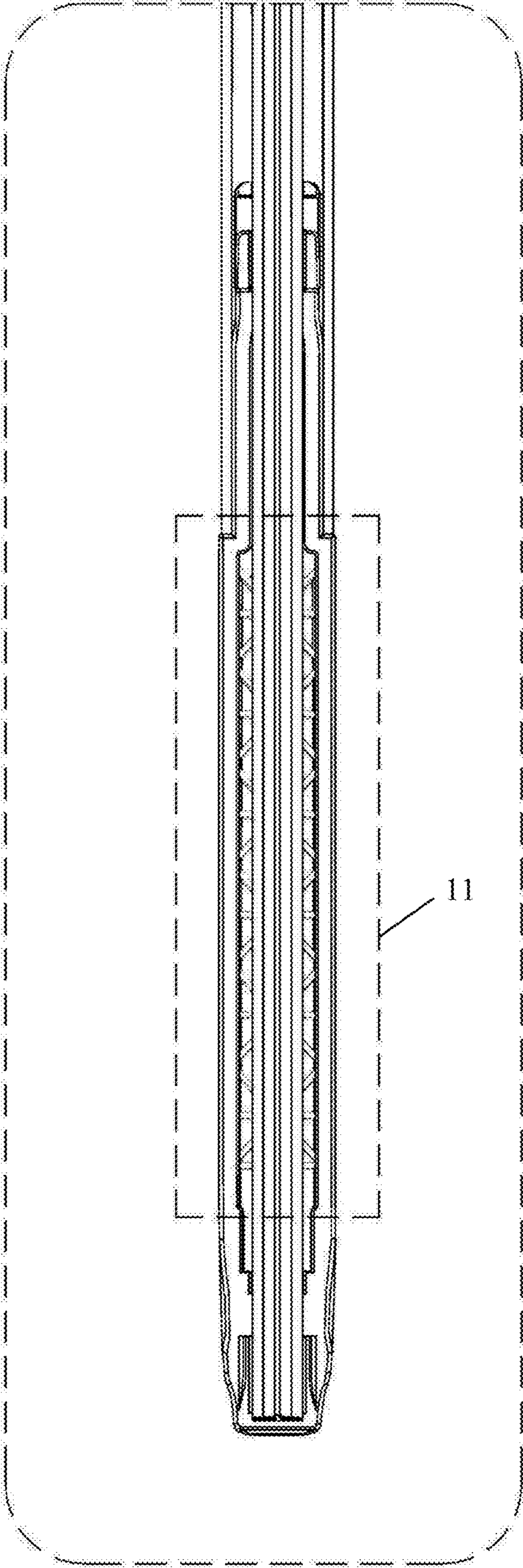


FIG. 11

