



US00D821949S

(12) **United States Design Patent** (10) **Patent No.:** **US D821,949 S**
Bucher et al. (45) **Date of Patent:** **** Jul. 3, 2018**

(54) **VEHICLE LIFTGATE**
(71) Applicant: **Ford Global Technologies, LLC**,
Dearborn, MI (US)
(72) Inventors: **George Bucher**, Dearborn, MI (US);
James Grake, Beverly Hills, MI (US);
Soohyoung Kim, Northville, MI (US)
(73) Assignee: **Ford Global Technologies, LLC**,
Dearborn, MI (US)
(**) Term: **15 Years**
(21) Appl. No.: **29/593,081**
(22) Filed: **Feb. 6, 2017**
(51) **LOC (11) Cl.** **12-16**
(52) **U.S. Cl.**
USPC **D12/196**
(58) **Field of Classification Search**
USPC D12/86, 90, 91, 92, 163, 169, 171, 196,
D12/216
CPC B62D 24/02; B62D 25/00; B62D 25/003;
B62D 25/02; B62D 25/08; B62D
33/0273; B62D 33/03; B62D 33/037
See application file for complete search history.

(56) **References Cited**
U.S. PATENT DOCUMENTS
D499,357 S * 12/2004 Velazco D12/91
D663,665 S * 7/2012 Hakamata D12/196
D736,128 S * 8/2015 Blanski D12/196
D749,480 S * 2/2016 Yu D12/196
D766,795 S * 9/2016 Kim D12/196
D783,482 S * 4/2017 Smith D12/196
D788,644 S * 6/2017 Mueller D12/91
D788,645 S * 6/2017 Mueller D12/91
D790,400 S * 6/2017 Zavatski D12/91
D797,632 S * 9/2017 Zipfel D12/196

D799,375 S * 10/2017 Zavatski D12/91
D799,376 S * 10/2017 Telaak D12/91
D801,858 S * 11/2017 Hagino D12/91
D801,861 S * 11/2017 Hubers D12/91
D801,862 S * 11/2017 Brendel D12/91
D802,478 S * 11/2017 Perkins D12/91
D802,482 S * 11/2017 Sterner D12/91
D803,123 S * 11/2017 Granlund D12/196
D804,359 S * 12/2017 Ishii D12/91
D805,434 S * 12/2017 Scheinhutte D12/91
D805,959 S * 12/2017 Bischoff D12/91
D805,959 S * 12/2017 Wheel D12/91
D805,985 S * 12/2017 Nakamura D12/196
D807,227 S * 1/2018 Chen D12/91
D807,228 S * 1/2018 Woolley D12/91
D807,788 S * 1/2018 Hatton D12/91
D808,321 S * 1/2018 Kim D12/196
2017/0210428 A1 * 7/2017 Hallik B60R 19/34

* cited by examiner
Primary Examiner — Susan Bennett Hattan
Assistant Examiner — Suzanne E Tisdell
(74) *Attorney, Agent, or Firm* — James Dottavio

(57) **CLAIM**
The ornamental design for a vehicle liftgate, as shown and described.

DESCRIPTION
FIG. 1 is a top front perspective and left view of the vehicle liftgate;
FIG. 2 is a bottom front perspective and right view thereof;
FIG. 3 is a top rear inside perspective view thereof;
FIG. 4 is a front elevational view thereof;
FIG. 5 is a rear elevational view thereof;
FIG. 6 is a left side elevational view thereof;
FIG. 7 is a right side elevational view thereof;
FIG. 8 is a top plan view thereof; and,
FIG. 9 is a bottom plan view thereof.

1 Claim, 9 Drawing Sheets

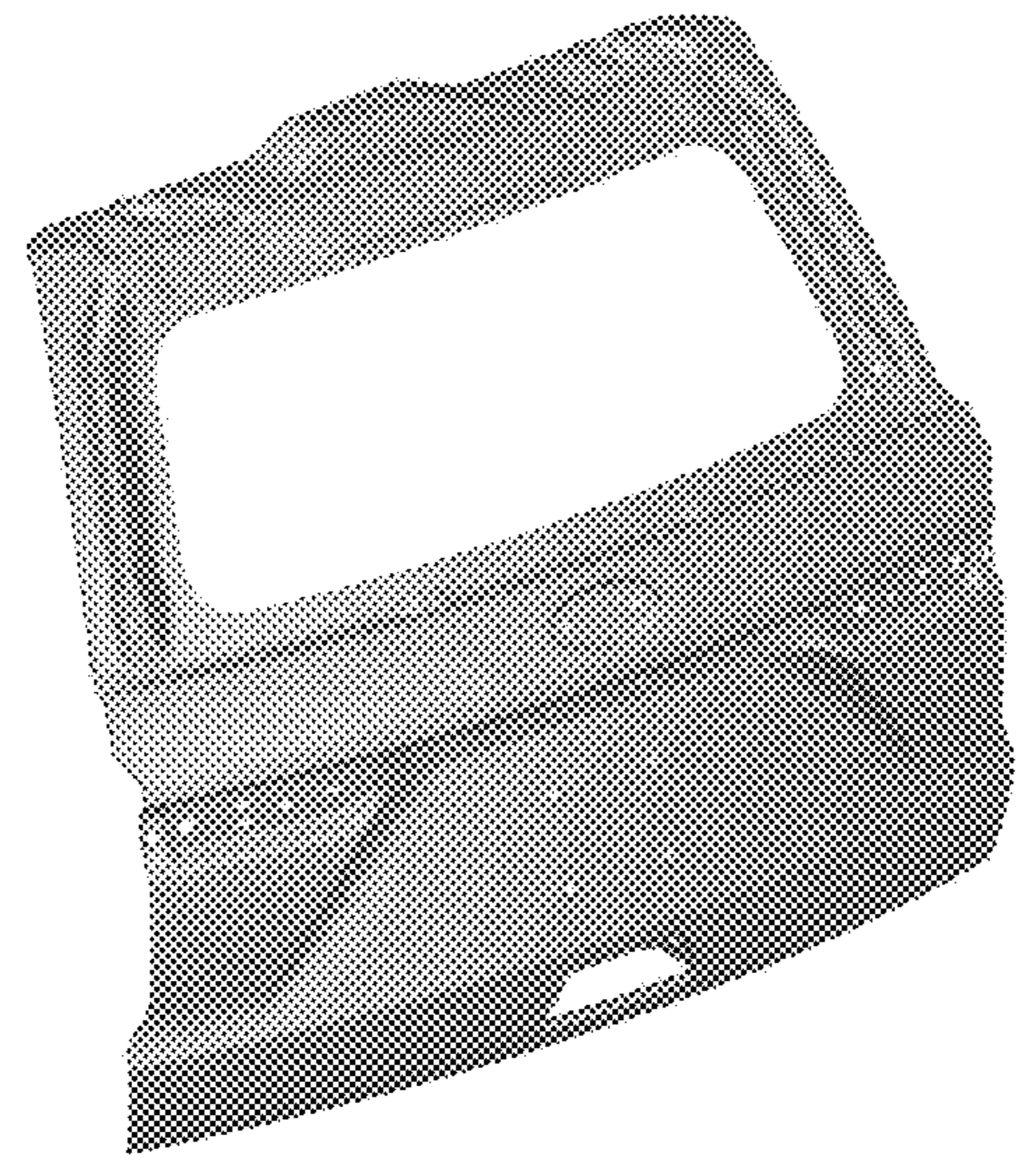


Figure 1



Figure 2





Figure 3

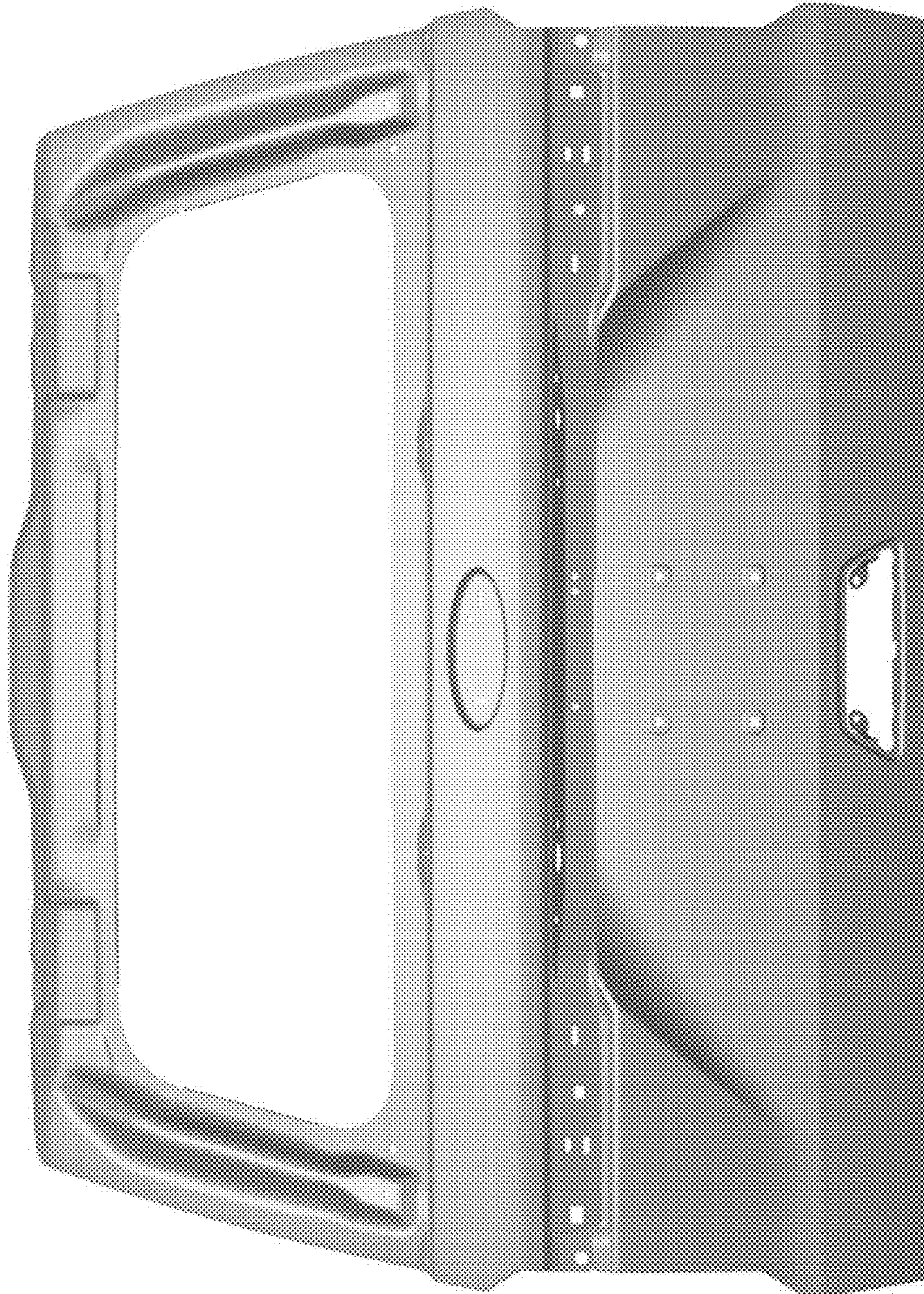


Figure 4

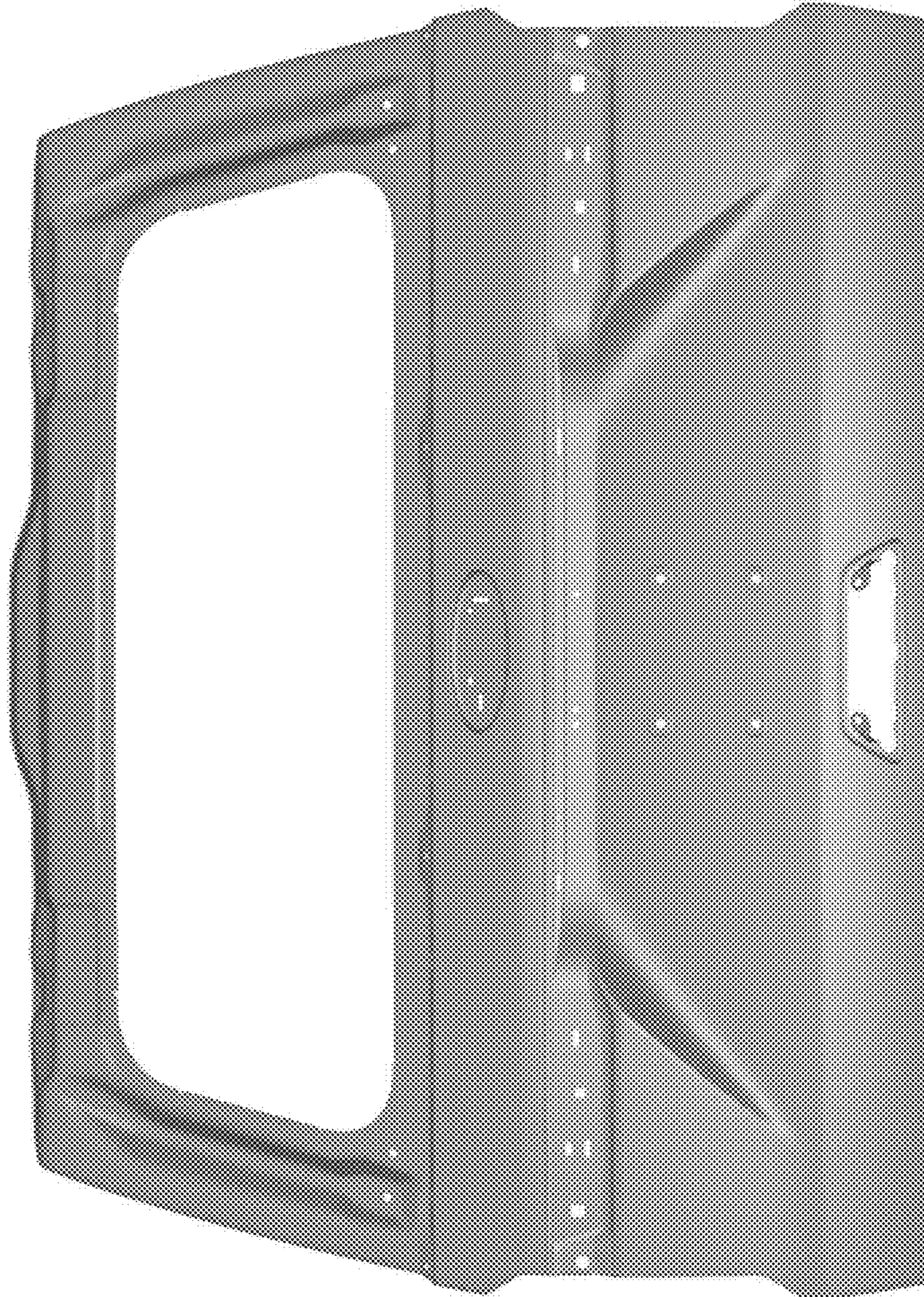


Figure 5

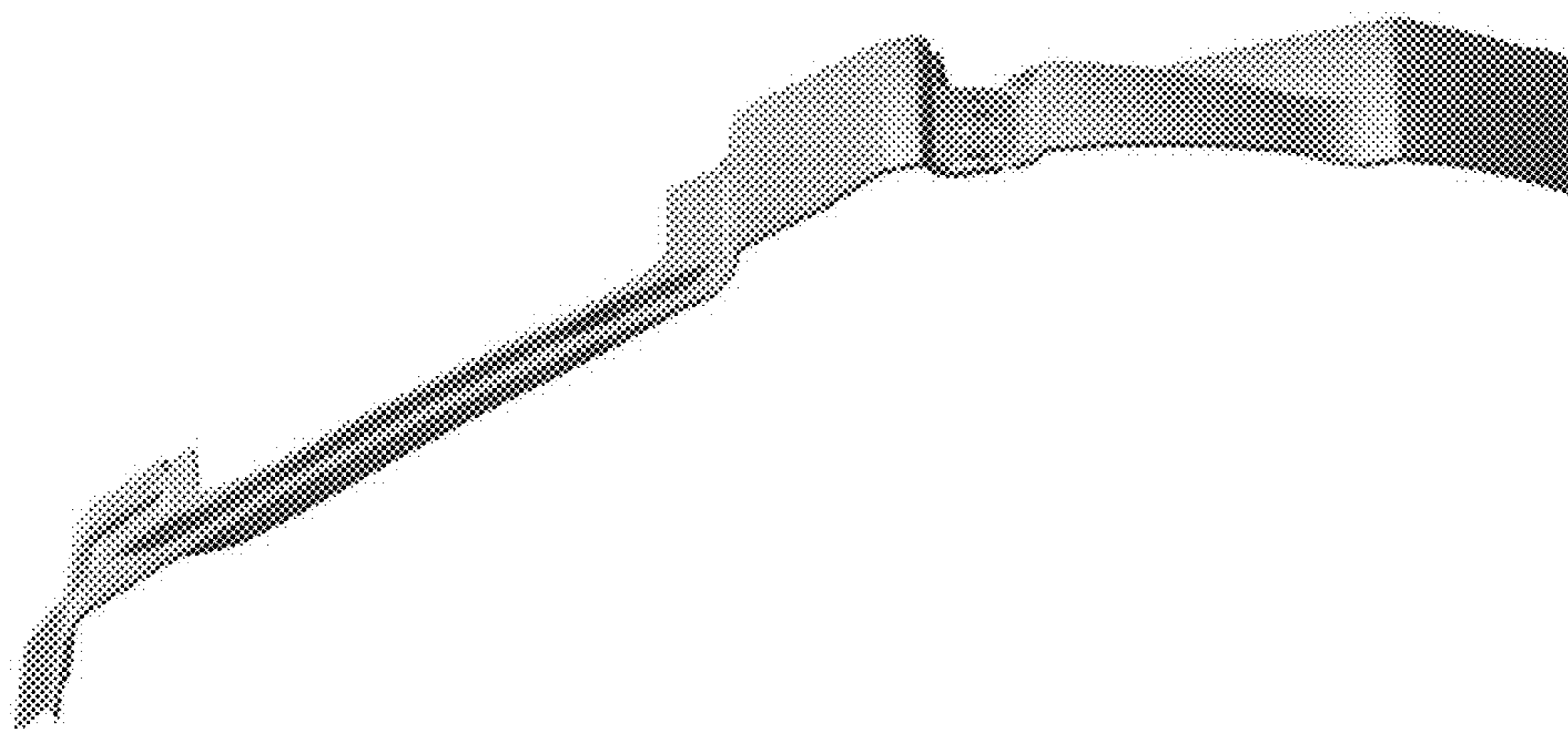


Figure 6

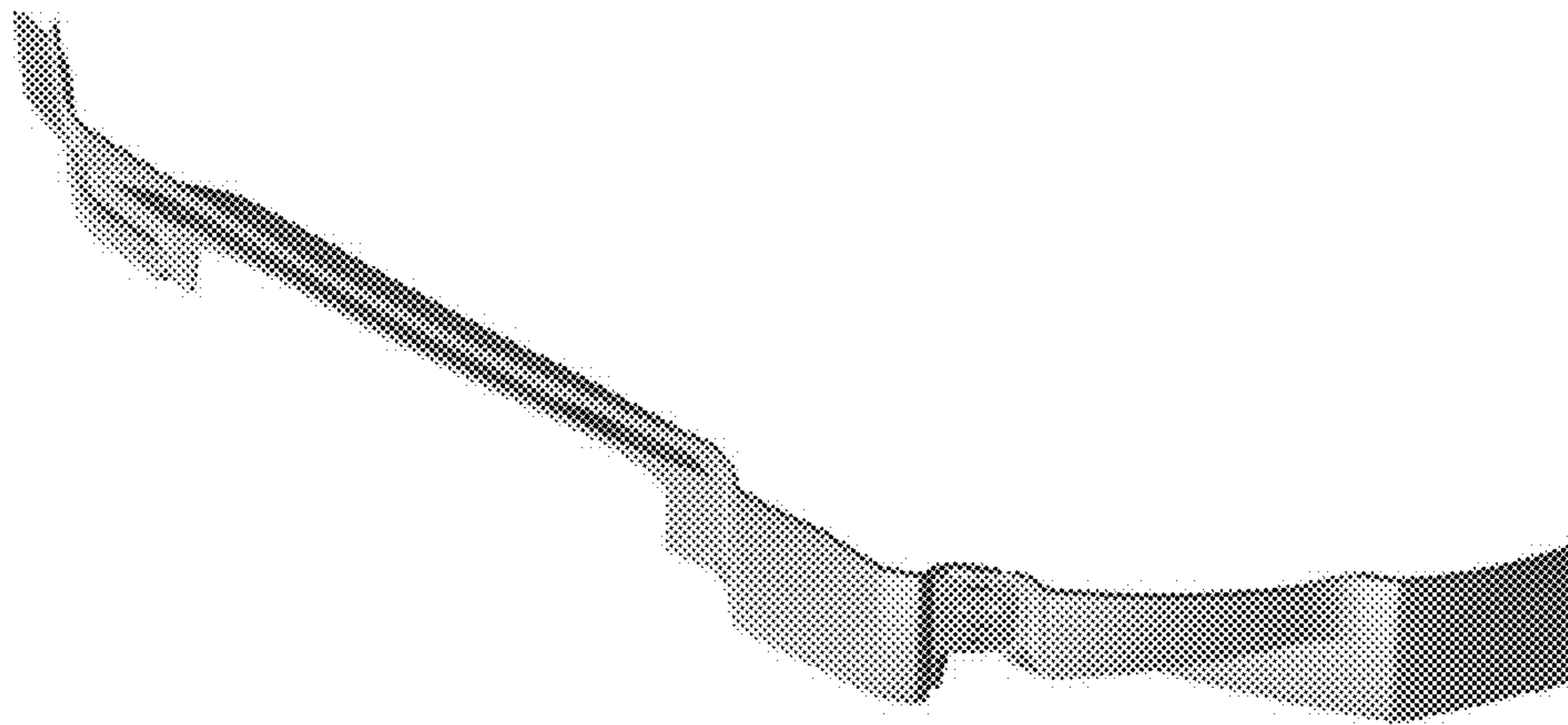


Figure 7

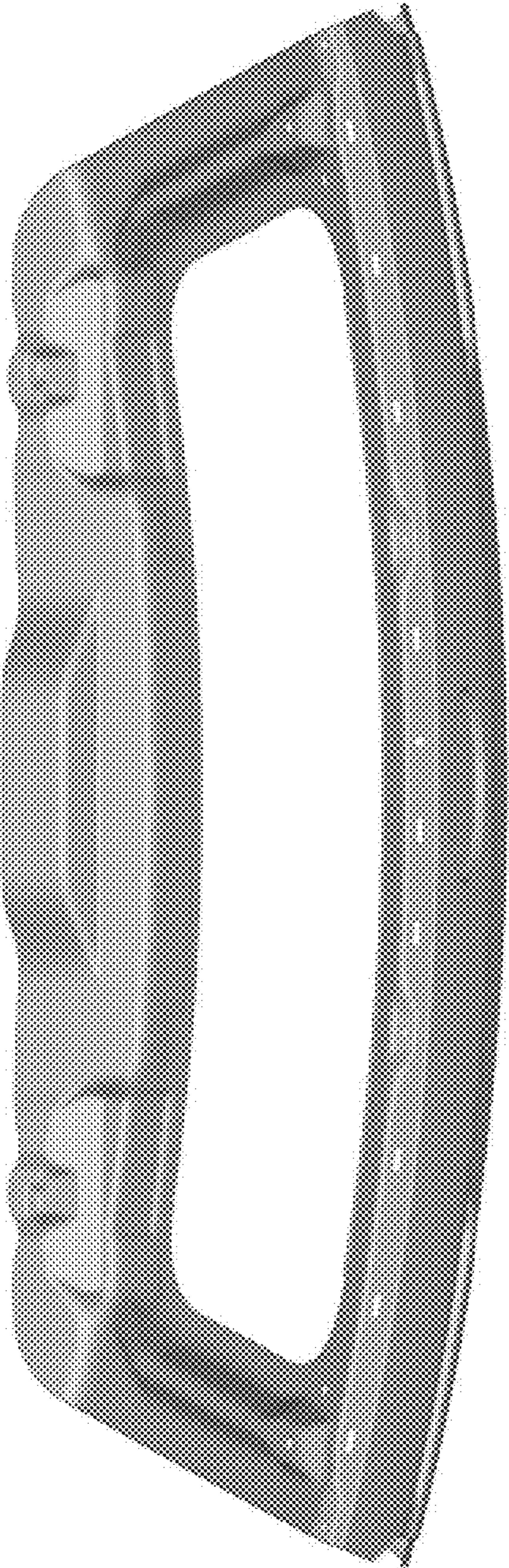


Figure 8

Figure 9

