



US00D821944S

(12) **United States Design Patent** (10) **Patent No.:** **US D821,944 S**  
**Yates** (45) **Date of Patent:** **\*\* Jul. 3, 2018**

(54) **VEHICLE HOOD**  
(71) Applicant: **Volvo Lastvagnar AB**, Göteborg (SE)  
(72) Inventor: **Lukas Yates**, Greensboro, NC (US)  
(73) Assignee: **VOLVO LASTVAGNAR AB**,  
Gothenburg (SE)  
(\*\*) Term: **15 Years**  
(21) Appl. No.: **29/593,323**  
(22) Filed: **Feb. 8, 2017**  
(51) **LOC (11) Cl.** ..... **12-08**  
(52) **U.S. Cl.**  
USPC ..... **D12/173**  
(58) **Field of Classification Search**  
USPC ..... D12/86, 91, 93, 96, 163, 164, 165, 166,  
D12/167, 169, 171, 172, 173, 190, 216  
CPC ..... B60R 9/06; B60R 19/02; B60R 19/04;  
B60R 19/18; B60R 19/44; B60R 19/48;  
B62D 35/02; B62D 39/00; B62D 65/16;  
B62D 21/12; B29C 45/16  
See application file for complete search history.

D711,786 S \* 8/2014 Brzustowicz ..... D12/96  
D711,788 S \* 8/2014 Brzustowicz ..... D12/96  
D719,879 S \* 12/2014 Ito ..... D12/96  
D771,539 S \* 11/2016 Brzustowicz ..... D12/173  
D799,380 S \* 10/2017 Cosme ..... D12/96  
D805,981 S \* 12/2017 Conway ..... D12/196  
2007/0199751 A1\* 8/2007 Bradley ..... B60K 11/085  
180/68.1  
2009/0085361 A1\* 4/2009 Rosen ..... B60R 13/04  
293/120  
2013/0025954 A1\* 1/2013 Miller ..... B62D 25/10  
180/69.21

**OTHER PUBLICATIONS**

Images of Mack CXU Pinnacle Truck, released 2006, 2 pages.

\* cited by examiner

*Primary Examiner* — Susan B Hattan  
*Assistant Examiner* — Suzanne E Tisdell  
(74) *Attorney, Agent, or Firm* — Tucker Ellis LLP

(57) **CLAIM**

The ornamental design for a vehicle hood, as shown and described.

(56) **References Cited**

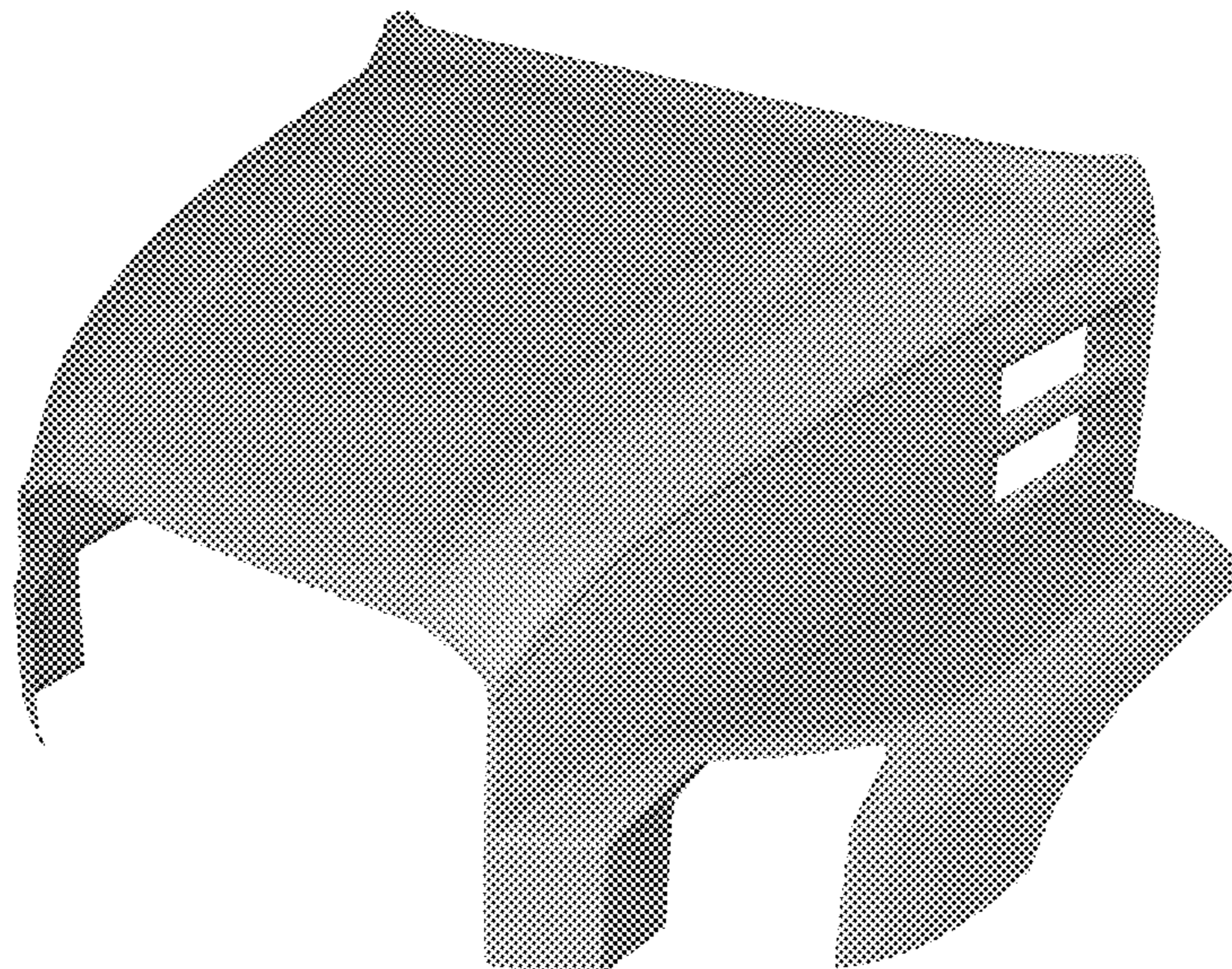
**U.S. PATENT DOCUMENTS**

D542,715 S \* 5/2007 Beigel ..... D12/96  
D563,849 S \* 3/2008 Medina ..... D12/173  
D632,224 S \* 2/2011 Peltola ..... D12/173  
D646,203 S \* 10/2011 Thompson ..... D12/91  
D654,401 S \* 2/2012 Peltola ..... D12/173  
D685,294 S \* 7/2013 Hanson ..... D12/93  
D708,553 S \* 7/2014 Conway ..... D12/96  
D708,986 S \* 7/2014 Conway ..... D12/96  
D709,407 S \* 7/2014 Conway ..... D12/96  
D709,408 S \* 7/2014 Peltola ..... D12/96

**DESCRIPTION**

FIG. 1 is a perspective view of a vehicle hood showing my new design.  
FIG. 2 is a front view thereof.  
FIG. 3 is a rear view thereof.  
FIG. 4 is a left side view thereof.  
FIG. 5 is a right side view thereof.  
FIG. 6 is a top view thereof; and,  
FIG. 7 is a bottom view thereof.

**1 Claim, 4 Drawing Sheets**



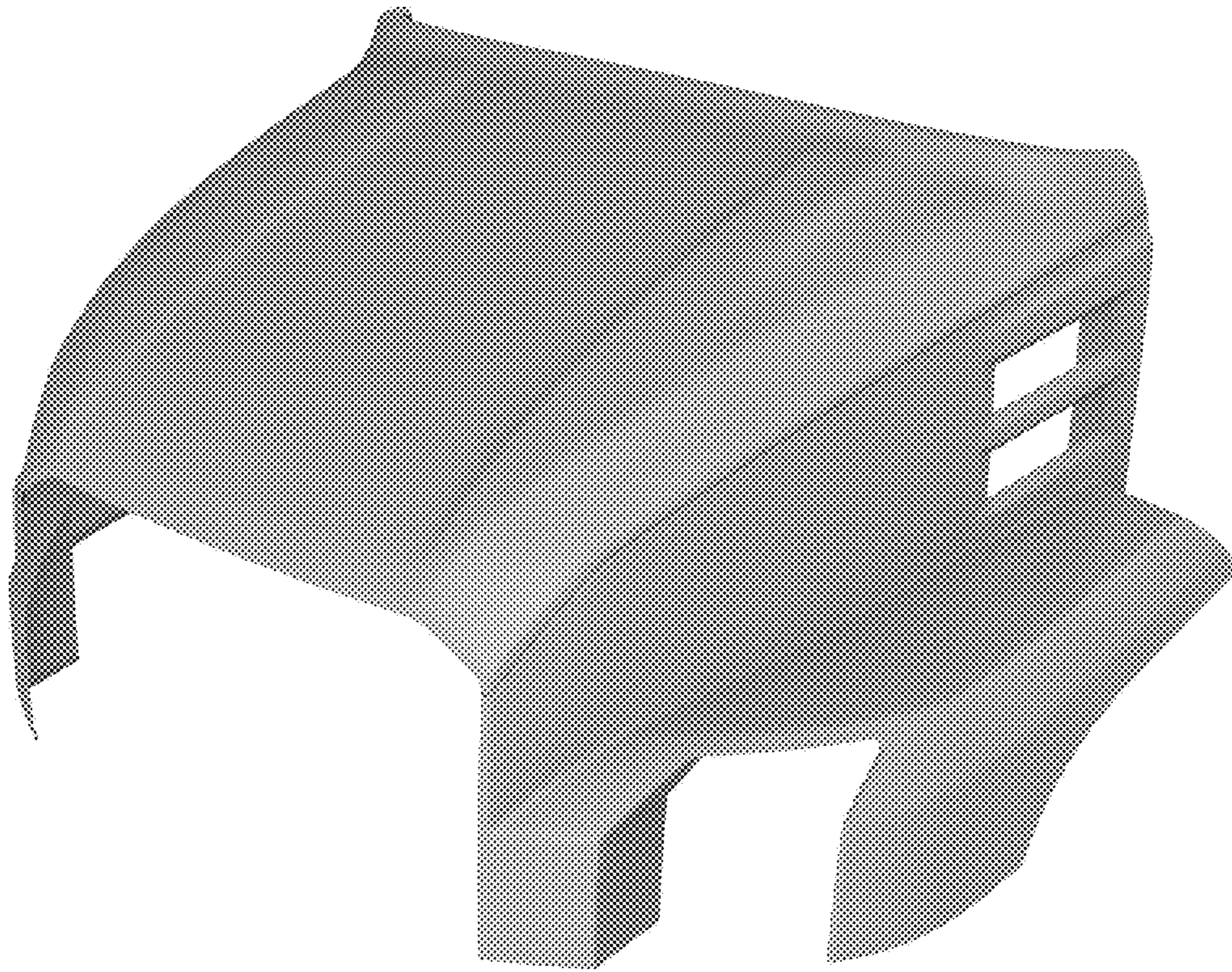


FIG. 1

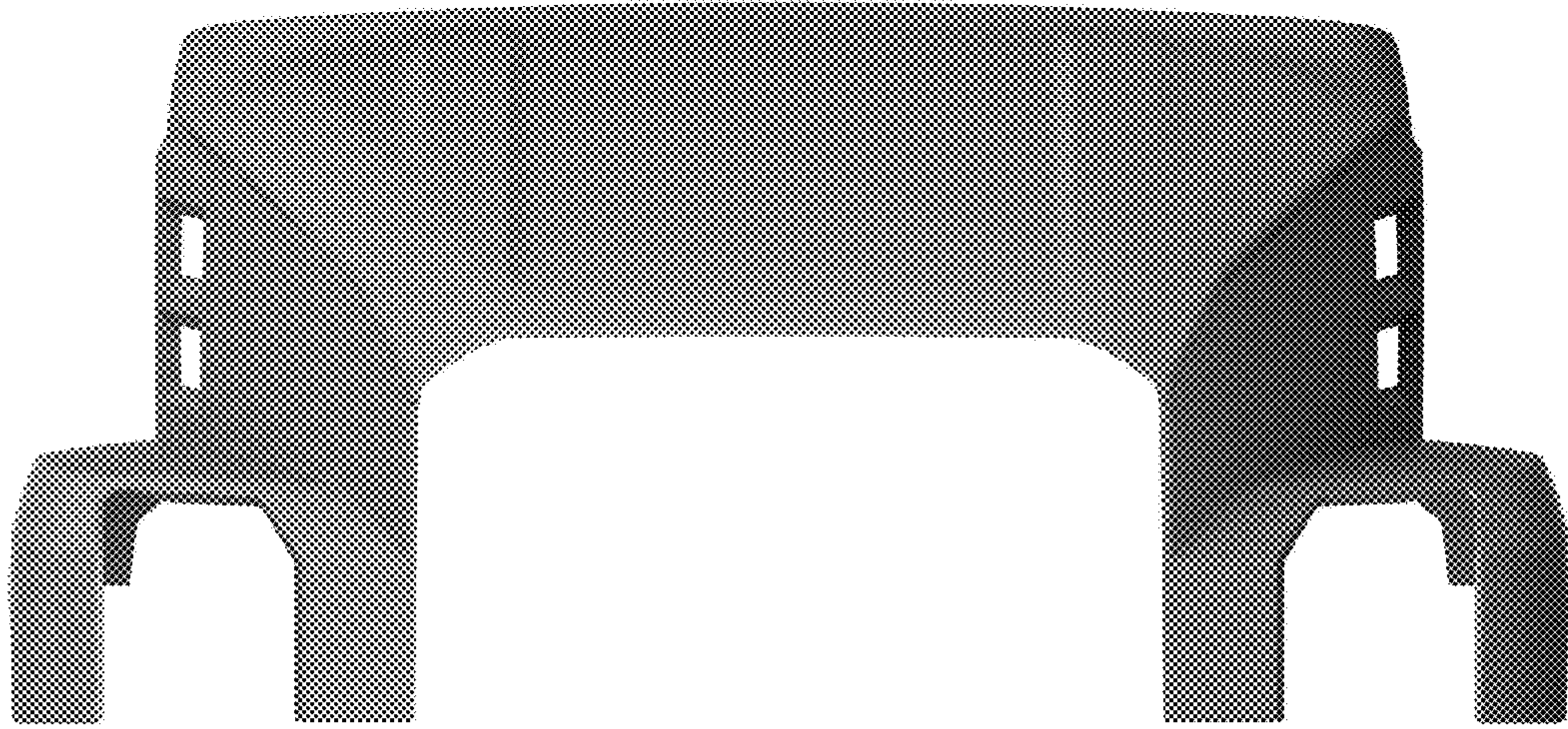


FIG. 2

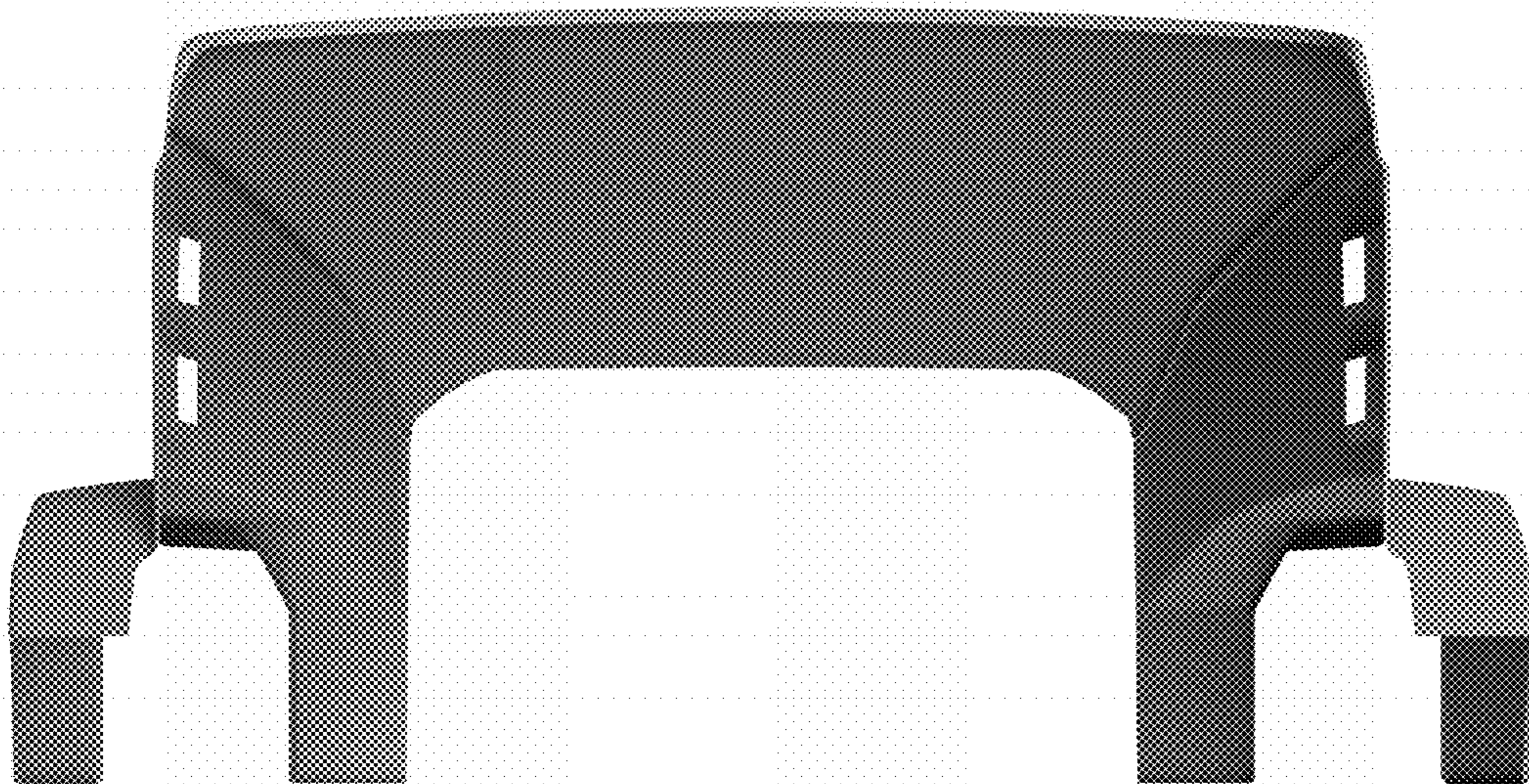


FIG. 3

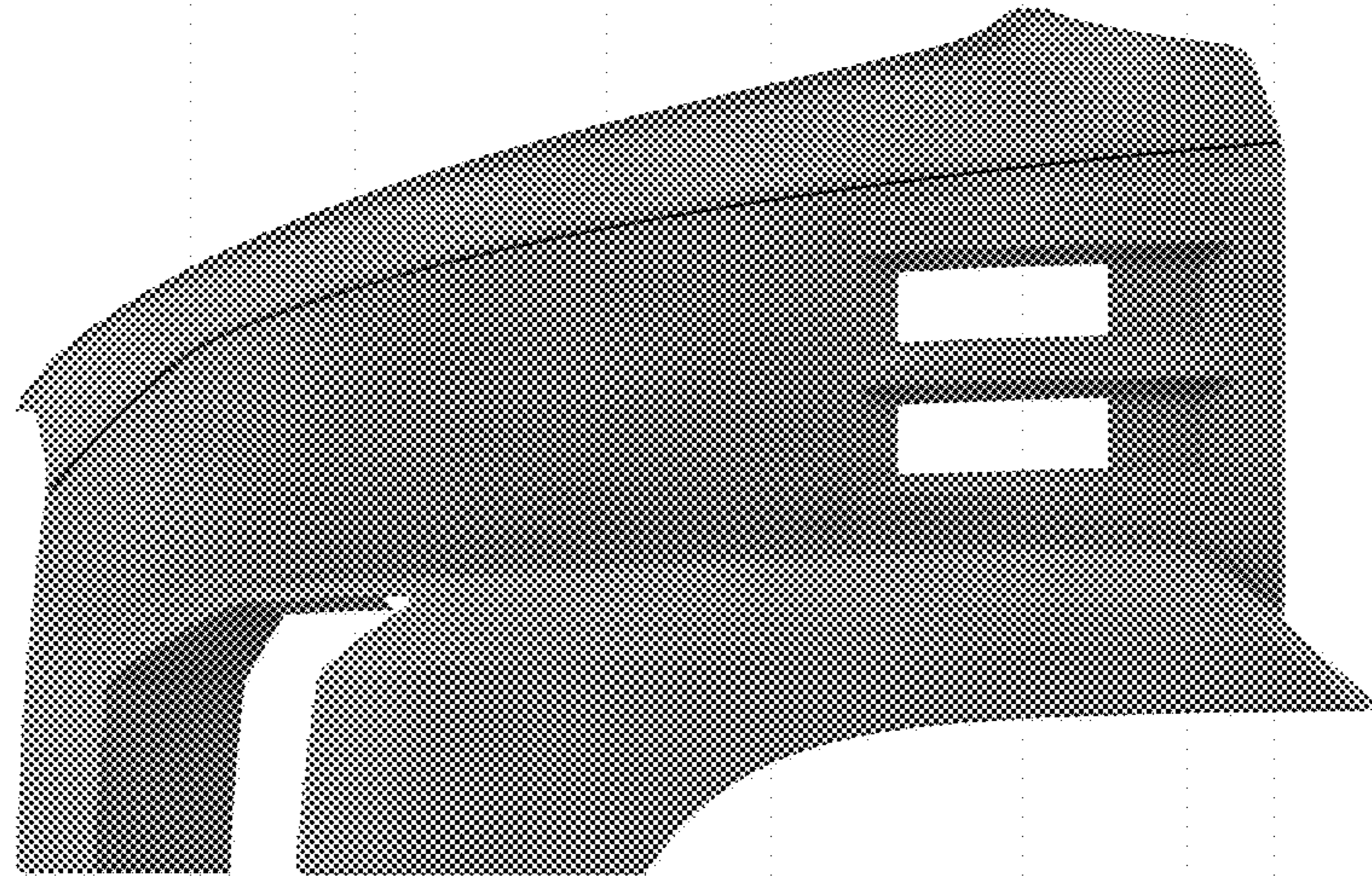


FIG. 4

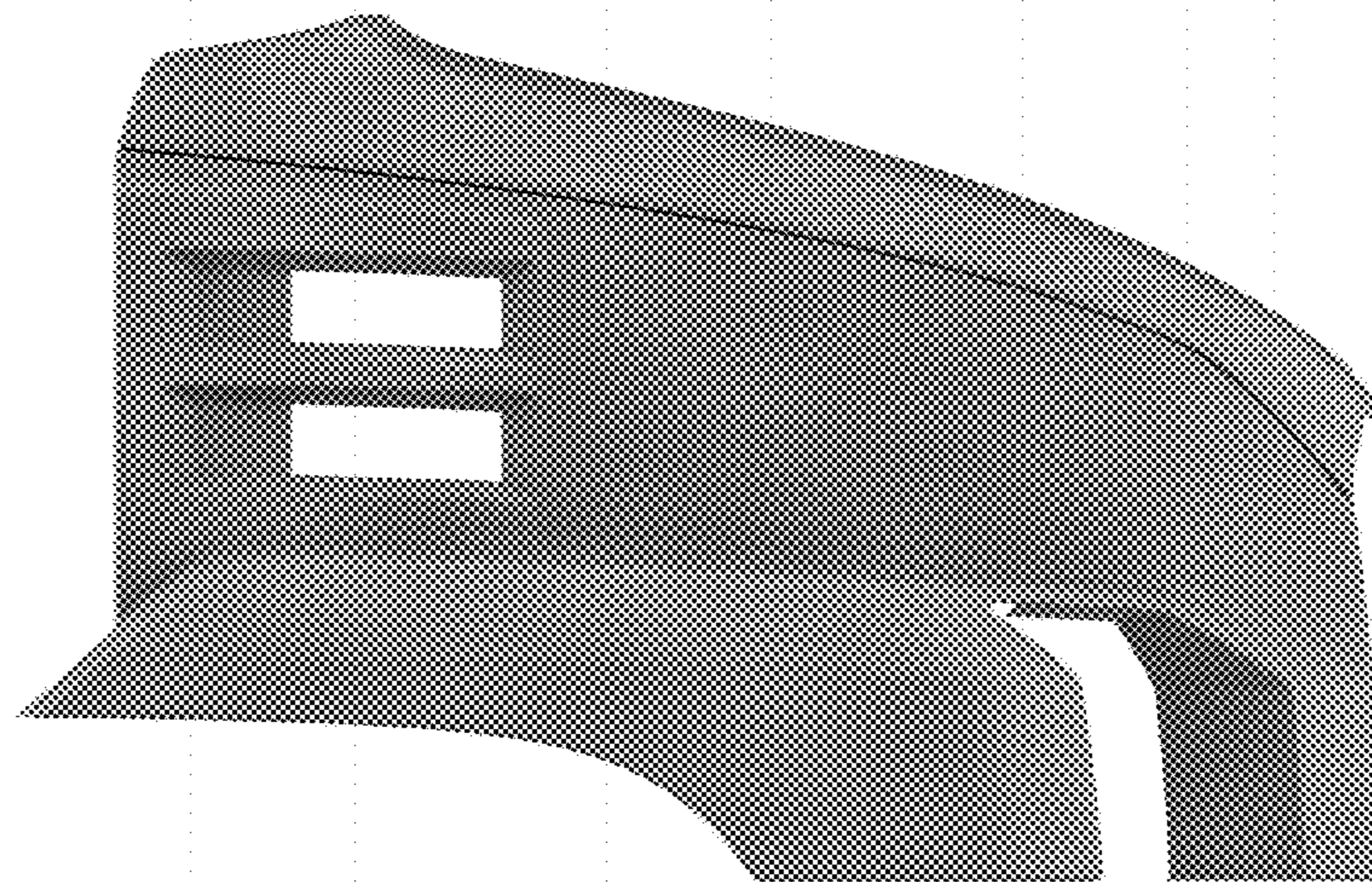


FIG. 5

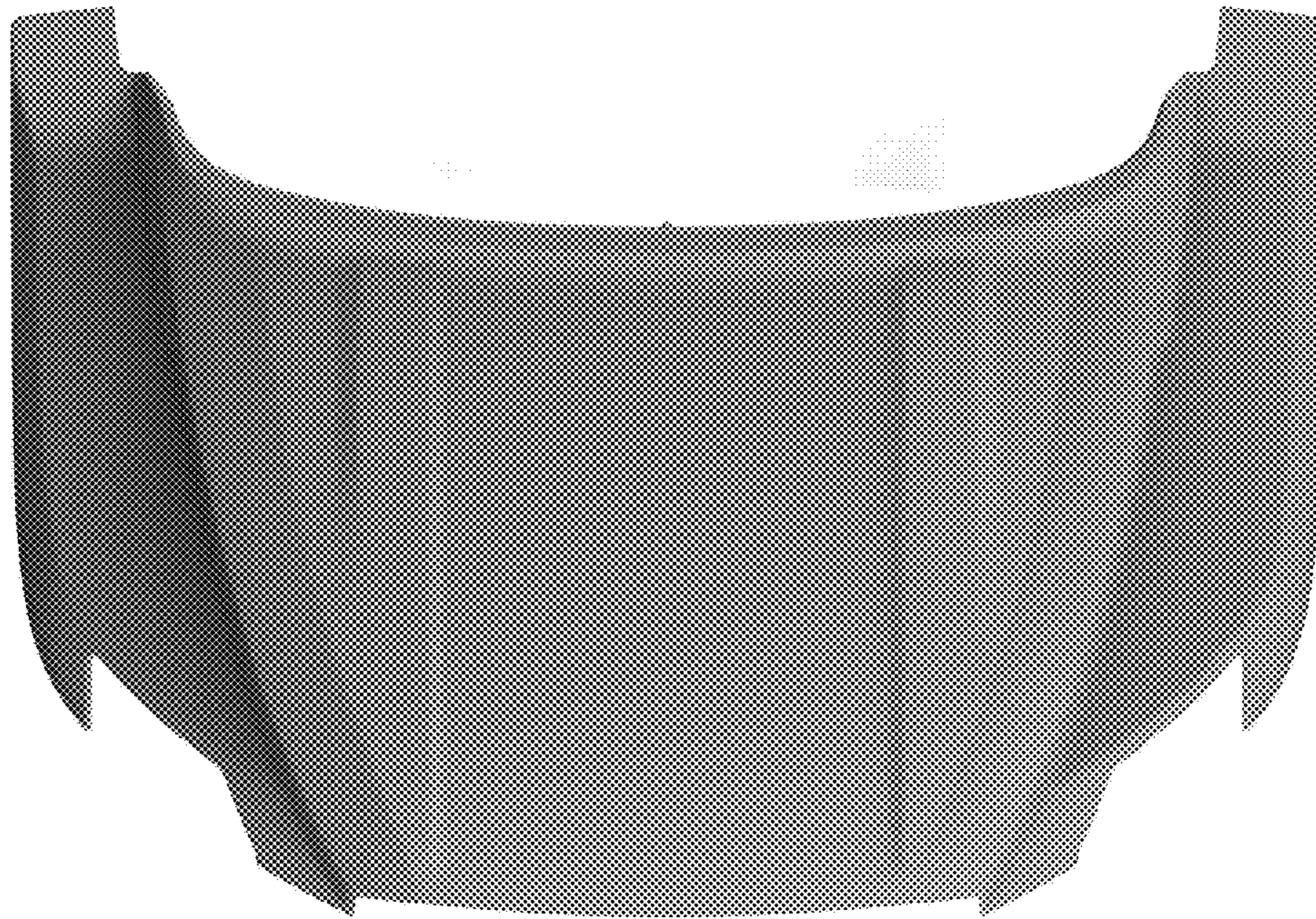


FIG. 6



FIG. 7