



US00D821942S

(12) **United States Design Patent**  
**Oh et al.**

(10) **Patent No.:** **US D821,942 S**  
(45) **Date of Patent:** **\*\* Jul. 3, 2018**

(54) **AUTOMOBILE FRONT BUMPER**  
(71) Applicant: **KIA MOTORS CORPORATION**,  
Seoul (KR)  
(72) Inventors: **Ji-Su Oh**, Seoul (KR); **Byung-Kyu Park**,  
Hwaseong-si (KR)  
(\* ) Notice: This patent is subject to a terminal dis-  
claimer.  
(\*\*) Term: **15 Years**  
(21) Appl. No.: **35/502,160**  
(22) Filed: **Dec. 5, 2016**  
(80) **Hague Agreement Data**  
Int. Filing Date: **Dec. 5, 2016**  
Int. Reg. No.: **DM/093866**  
Int. Reg. Date: **Dec. 5, 2016**  
Int. Reg. Pub. Date: **Dec. 23, 2016**

D659,605 S \* 5/2012 Varga ..... D12/169  
D659,608 S \* 5/2012 Robinson ..... D12/169  
D659,609 S \* 5/2012 Furukado ..... D12/169  
D674,731 S \* 1/2013 Nagafuchi ..... D12/169  
D680,479 S \* 4/2013 Frei ..... D12/169  
D684,903 S \* 6/2013 Platto ..... D12/169  
D685,300 S \* 7/2013 Varga ..... D12/169  
D687,752 S \* 8/2013 Fetherston ..... D12/169  
D688,991 S \* 9/2013 Song ..... D12/169  
D721,022 S \* 1/2015 Hanaoka ..... D12/169  
D737,741 S \* 9/2015 Goepfel ..... D12/169  
D738,268 S \* 9/2015 Blanski ..... D12/169  
D738,800 S \* 9/2015 Mueller-Stolz ..... D12/169  
D745,445 S \* 12/2015 Loeb ..... D12/169  
D746,736 S \* 1/2016 Wolff ..... D12/169  
D746,738 S \* 1/2016 Wolff ..... D12/169  
D753,032 S \* 4/2016 Smith ..... D12/169  
D753,564 S \* 4/2016 Frascella ..... D12/169  
D754,040 S \* 4/2016 Varga ..... D12/169  
D756,862 S \* 5/2016 Wada ..... D12/169  
D760,629 S \* 7/2016 Chung ..... D12/169  
D760,630 S \* 7/2016 Rupar ..... D12/169  
D762,532 S \* 8/2016 Tsutamori ..... D12/169  
D762,533 S \* 8/2016 Tsutamori ..... D12/169  
D763,746 S \* 8/2016 Tsutamori ..... D12/169  
D764,984 S \* 8/2016 Stopka ..... D12/169

(Continued)

(30) **Foreign Application Priority Data**  
Jul. 1, 2016 (KR) ..... 30-2016-0032211  
(51) **LOC (11) Cl.** ..... **12-16**  
(52) **U.S. Cl.**  
USPC ..... **D12/169**  
(58) **Field of Classification Search**  
USPC ..... D12/86, 90, 91, 92, 163, 164, 169, 171,  
D12/196, 216  
CPC ..... B60R 19/02; B60R 19/18; B60R 19/24;  
B60R 19/56; B60R 2019/007  
See application file for complete search history.

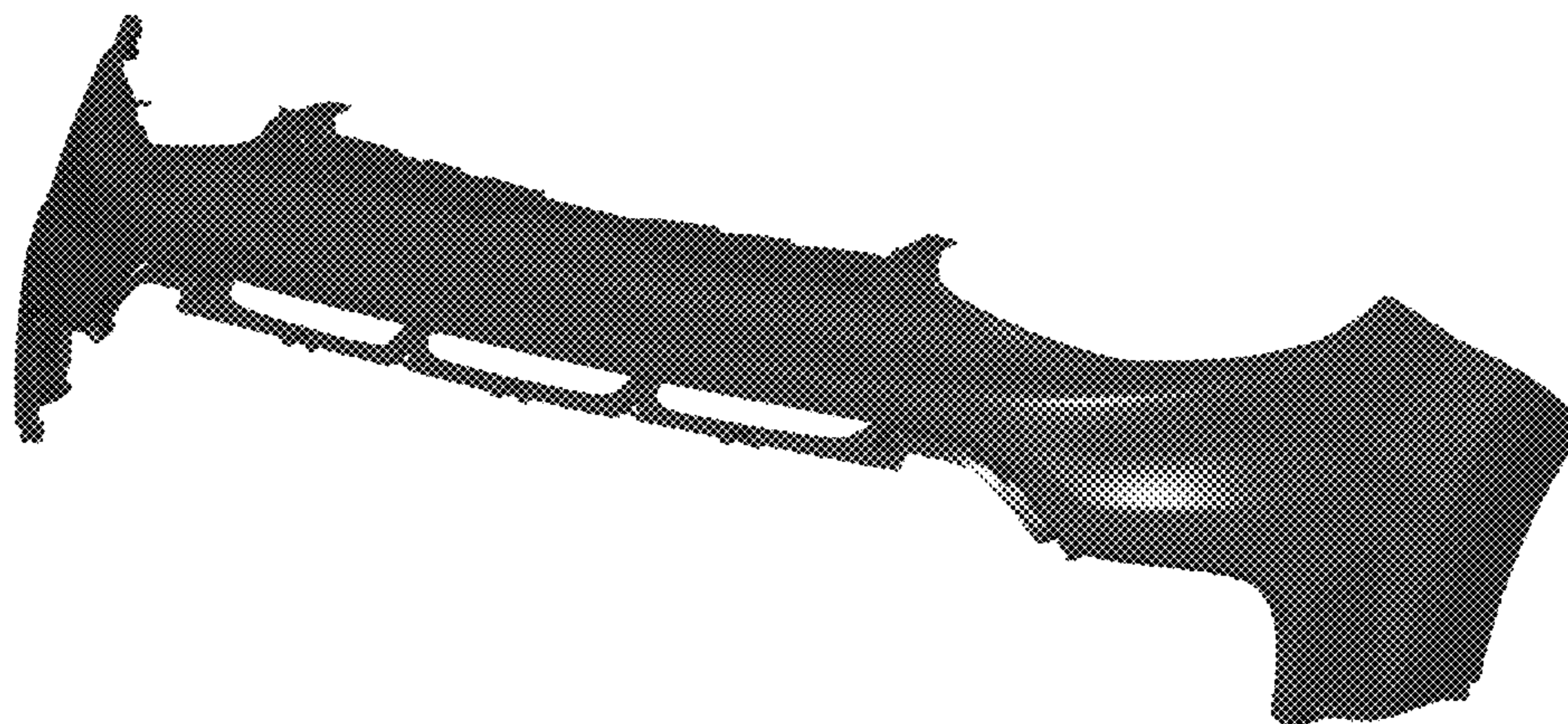
Primary Examiner — Darlington Ly

(56) **References Cited**  
U.S. PATENT DOCUMENTS  
D640,616 S \* 6/2011 Schell ..... D12/169  
D647,831 S \* 11/2011 Murakawa ..... D12/169  
D659,603 S \* 5/2012 Varga ..... D12/169

(57) **CLAIM**  
The ornamental design for an automobile front bumper, as  
shown and described.

**DESCRIPTION**  
1. Automobile front bumper  
**1.1** is a front perspective view of an automobile front  
bumper showing our new design;  
**1.2** is a front elevation view thereof;  
**1.3** is a rear elevation view thereof;  
**1.4** is a left side elevation view thereof;  
**1.5** is a right side elevation view thereof;  
**1.6** is a top plan view thereof; and  
**1.7** is a bottom plan view thereof.

**1 Claim, 7 Drawing Sheets**



(56)

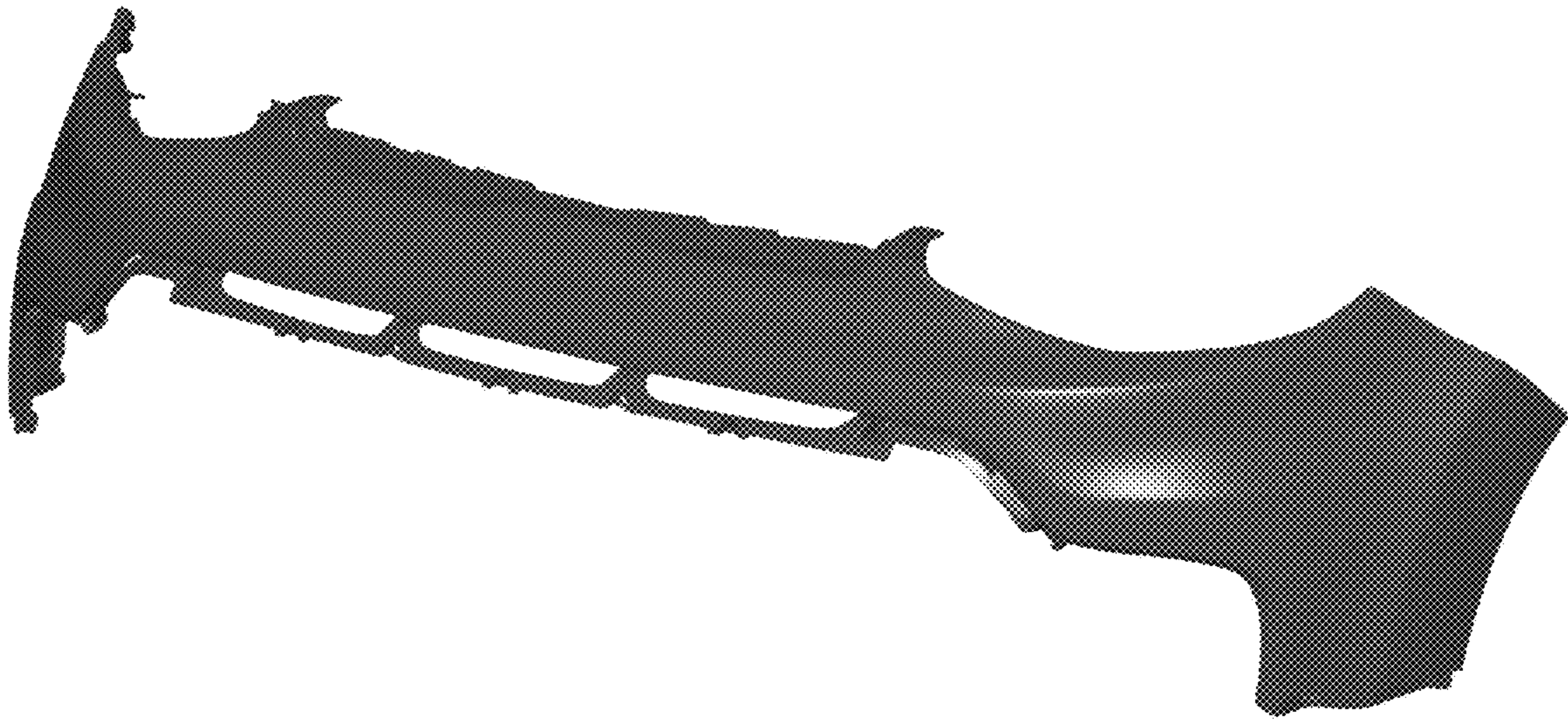
**References Cited**

U.S. PATENT DOCUMENTS

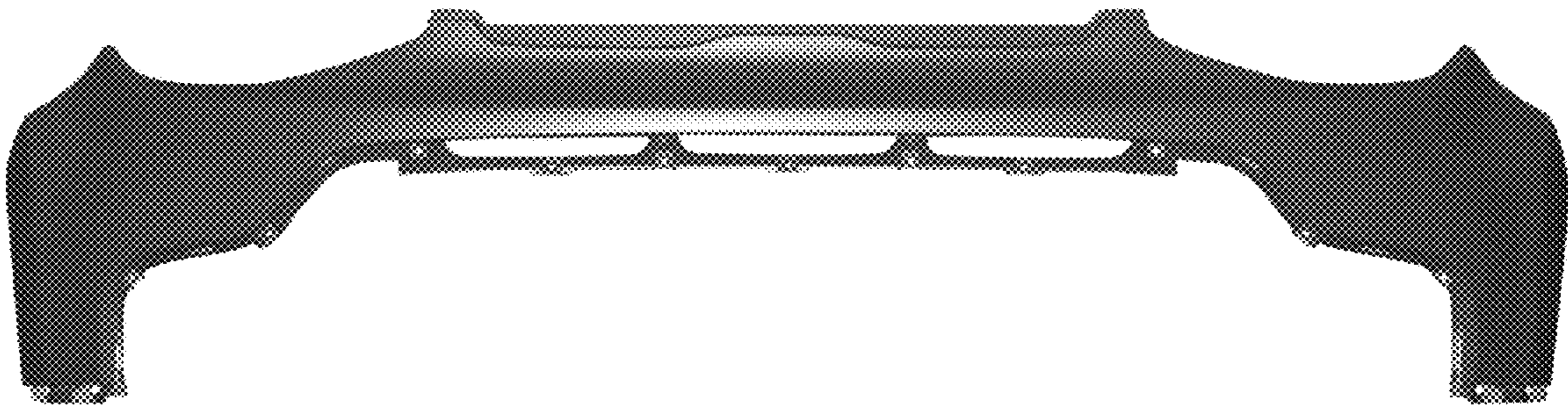
D764,986	S	*	8/2016	Faghihzadeh .....	D12/169
D765,567	S	*	9/2016	De Bono .....	D12/169
D770,949	S	*	11/2016	Morikawa .....	D12/169
D771,535	S	*	11/2016	Wolff .....	D12/169
D773,355	S	*	12/2016	Kawaguchi .....	D12/169
D778,212	S	*	2/2017	Kozub .....	D12/169
D793,295	S	*	8/2017	McCabe .....	D12/169

\* cited by examiner

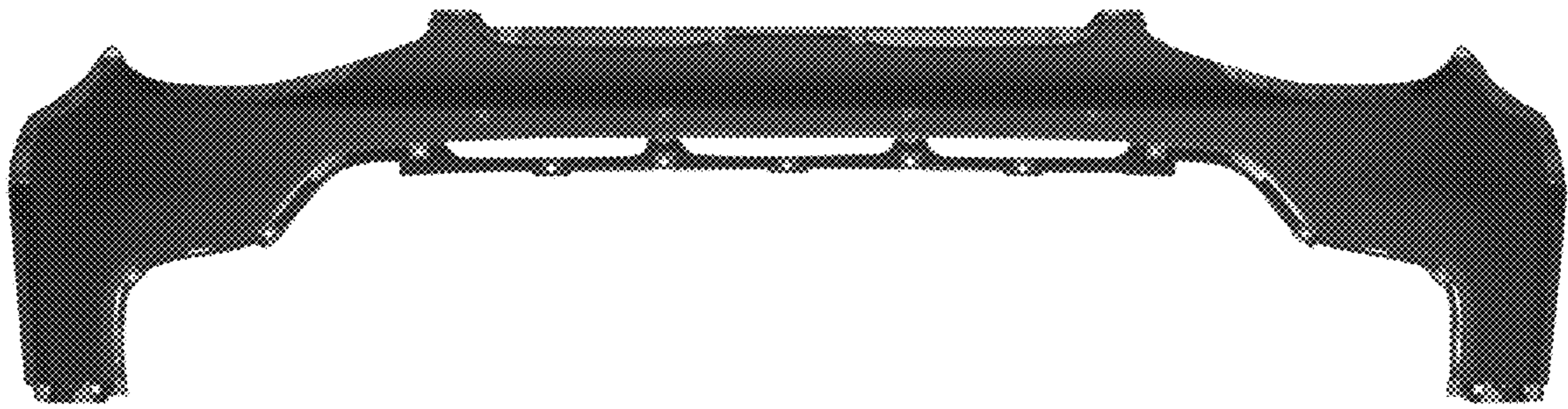
1.1



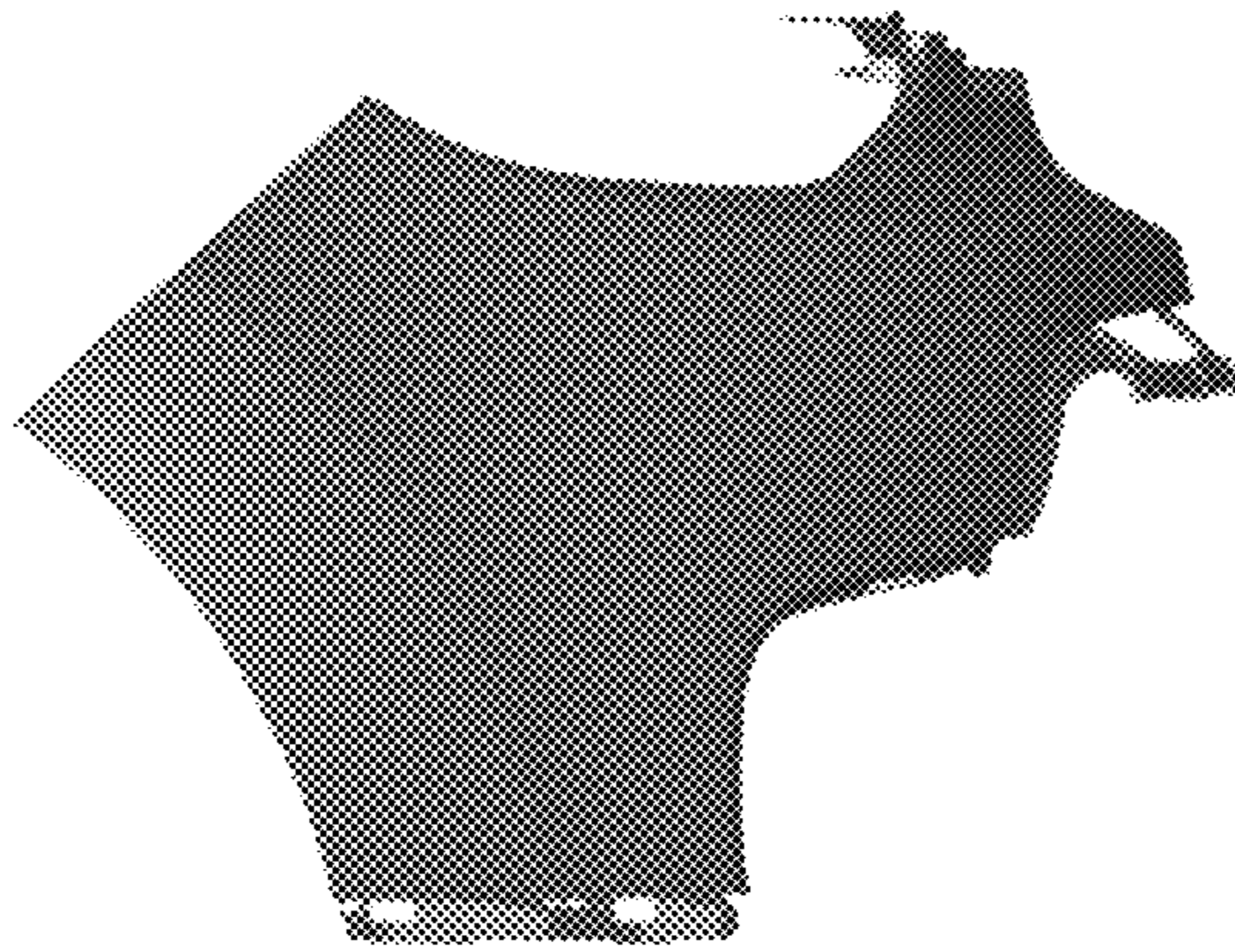
1.2



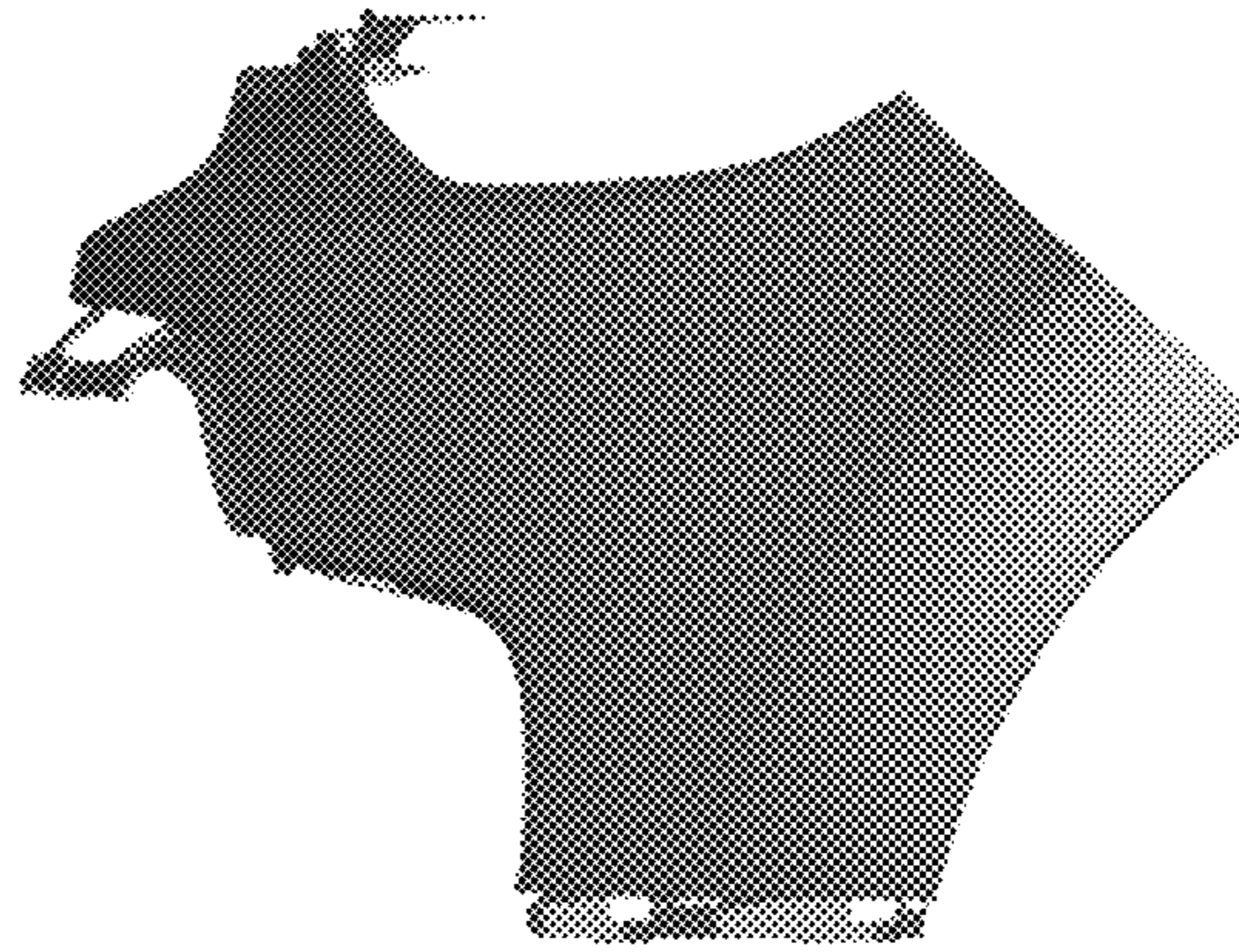
1.3



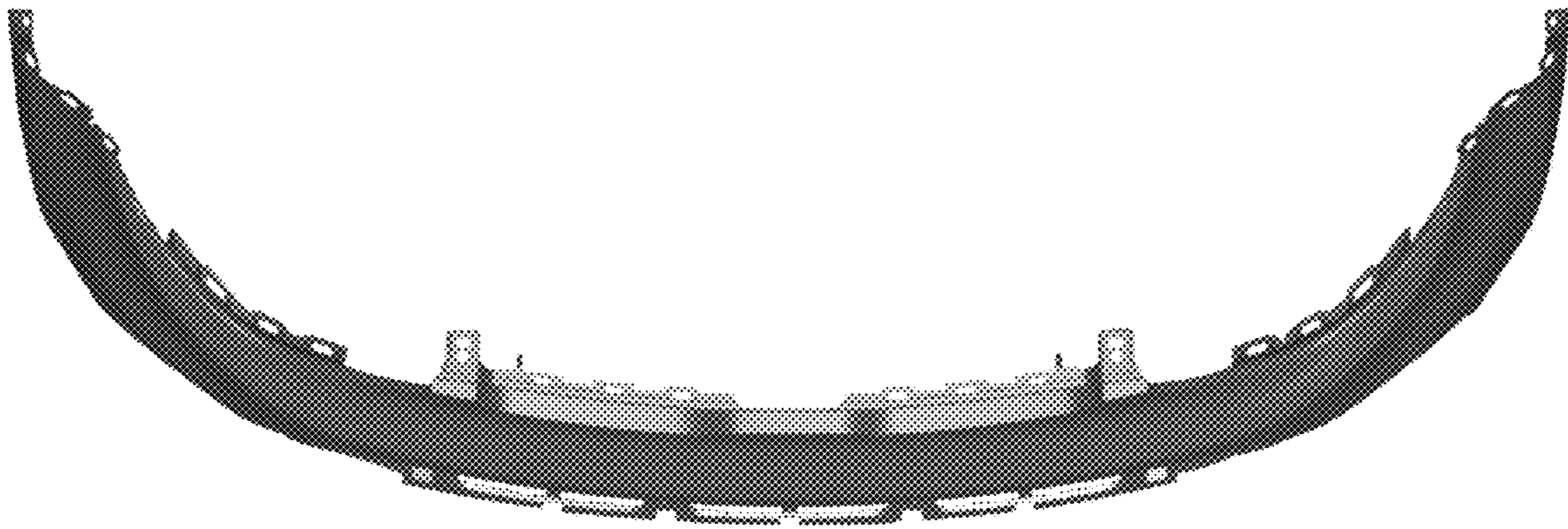
1.4



1.5



1.6





1.7

