



US00D821936S

(12) **United States Design Patent**
Yamamoto

(10) **Patent No.:** **US D821,936 S**
(45) **Date of Patent:** **** Jul. 3, 2018**

(54) **FRONT BUMPER FOR AN AUTOMOBILE**

FOREIGN PATENT DOCUMENTS

(71) Applicant: **Nissan Motor Co., Ltd.**, Yokohama,
Kanagawa (JP)

JP	D1401635 S	11/2010
JP	D1454380 S	11/2012
JP	D1503116 S	7/2014
JP	D1548747 S	5/2016
JP	D1553169 S	7/2016
JP	D1554598 S	7/2016
JP	D1568807 S	2/2017
JP	D1569008 S	2/2017
JP	D1546068 S	3/2017
JP	D1572301 S	3/2017
JP	D1562919 S	4/2017
JP	D1566363 S	12/2017

(72) Inventor: **Kenji Yamamoto**, Guangdon (CN)

(73) Assignee: **Nissan Motor Co., Ltd.**, Yokohama
(JP)

(**) Term: **15 Years**

(21) Appl. No.: **29/590,508**

* cited by examiner

(22) Filed: **Jan. 11, 2017**

Primary Examiner — Melody N Brown

(30) **Foreign Application Priority Data**

Jul. 12, 2016 (JP) 2016-014804

(51) **LOC (11) Cl.** **12-16**

(52) **U.S. Cl.**
USPC **D12/169**

(58) **Field of Classification Search**
USPC D12/169, 216, 90-92, 86, 171, 196, 163;
293/102, 113, 115, 117, 120; 296/180.1,
296/180.2

CPC B60R 19/02; B60R 19/04; B62D 25/08
See application file for complete search history.

(56) **References Cited**

U.S. PATENT DOCUMENTS

D588,959 S	*	3/2009	Bischoff	D12/92
D606,912 S	*	12/2009	Sahs	D12/169
D614,534 S	*	4/2010	Weaver	D12/90
D626,041 S	*	10/2010	Yamazaki	D12/169
D708,997 S	*	7/2014	Koizumi	D12/169
D749,999 S	*	2/2016	Curic	D12/169
D760,127 S	*	6/2016	Yamamoto	D12/169
D773,356 S	*	12/2016	Cartabiano	D12/169
D786,749 S	*	5/2017	Oohashi	D12/169
D802,499 S	*	11/2017	Choi	D12/169
D803,110 S	*	11/2017	Seo	D12/169

(57) **CLAIM**

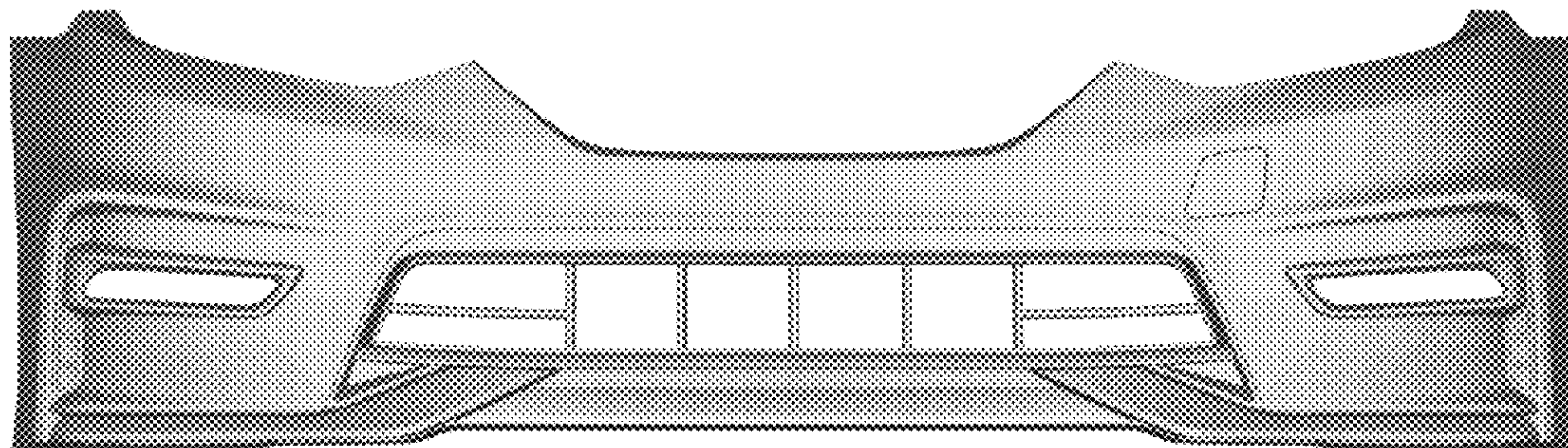
The ornamental design for a front bumper for an automobile,
as shown and described.

DESCRIPTION

FIG. 1 is a front elevational view of a front bumper for an
automobile in accordance with our new design;
FIG. 2 is a top plan view thereof;
FIG. 3 is a bottom plan view thereof;
FIG. 4 is a right side elevational view thereof;
FIG. 5 is a left side elevational view thereof;
FIG. 6 is a top, front and right side perspective view thereof;
and,
FIG. 7 is a bottom, front and left side perspective view
thereof.

The rear view of the front bumper forms no part of the
claimed design. In addition, the front bumper is configured
to be mounted to an automobile. The inside surfaces of the
front bumper, shown in broken lines in FIGS. 2, 3, 6 and 7,
form no part of the claimed design since the inside surfaces
are hidden when the front bumper is mounted to the auto-
mobile.

1 Claim, 7 Drawing Sheets



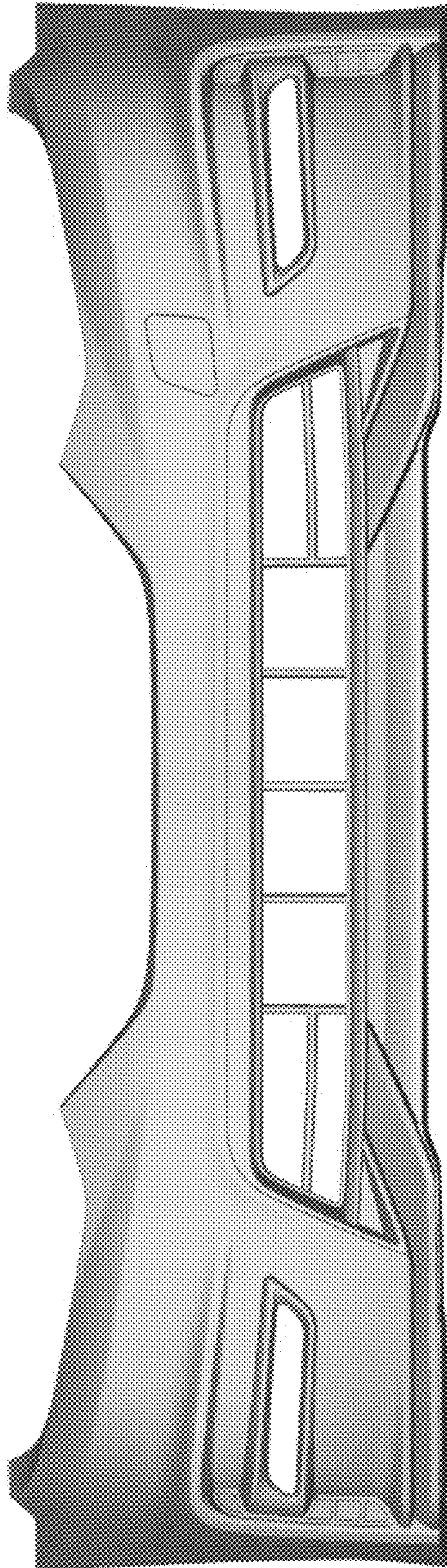


FIG. 1

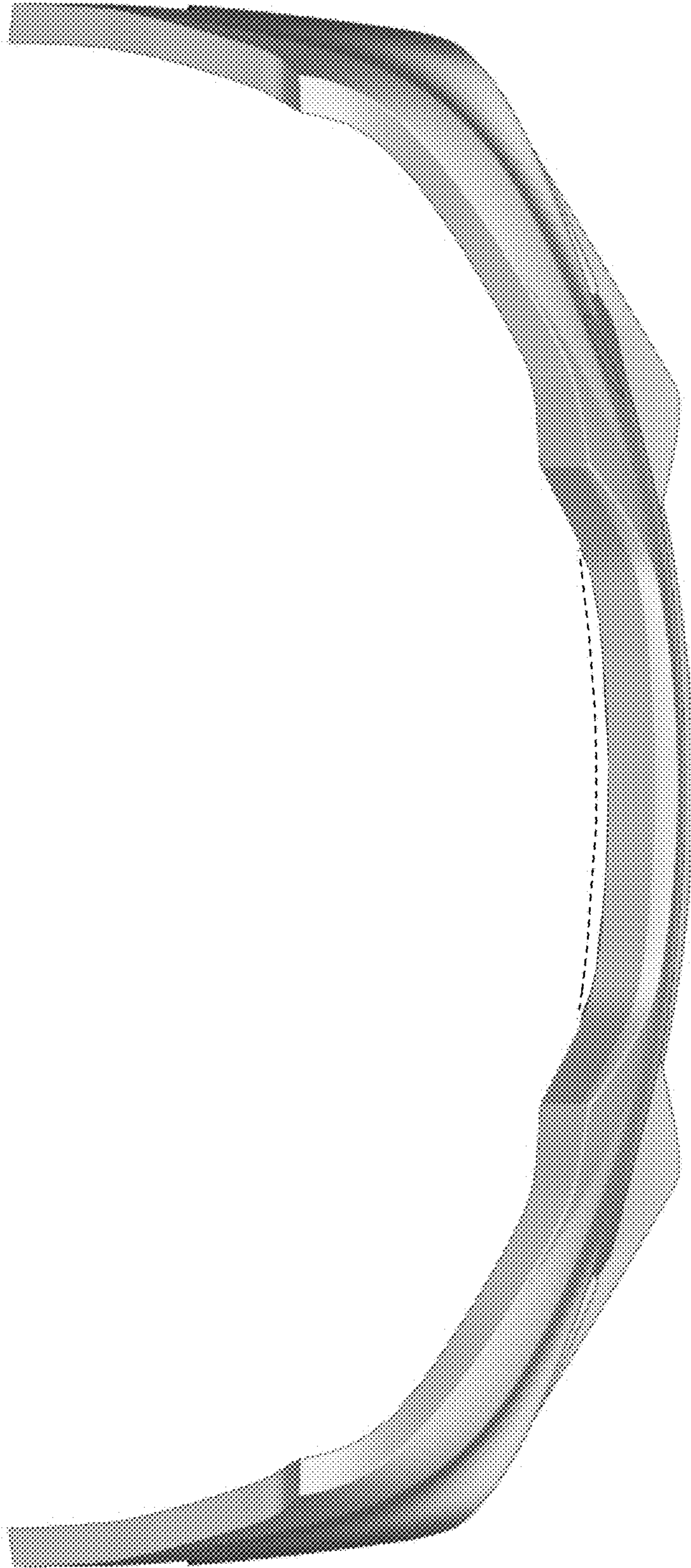


FIG. 2

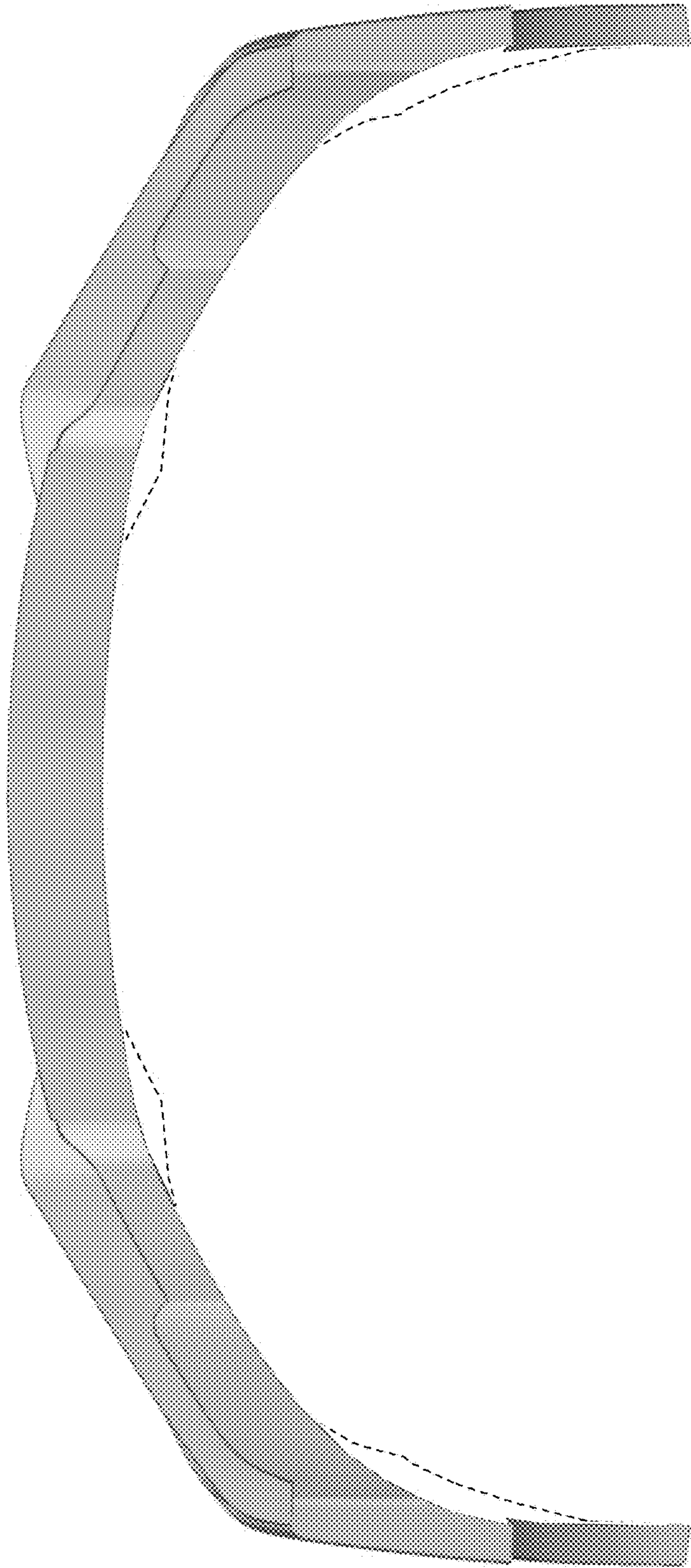


FIG. 3

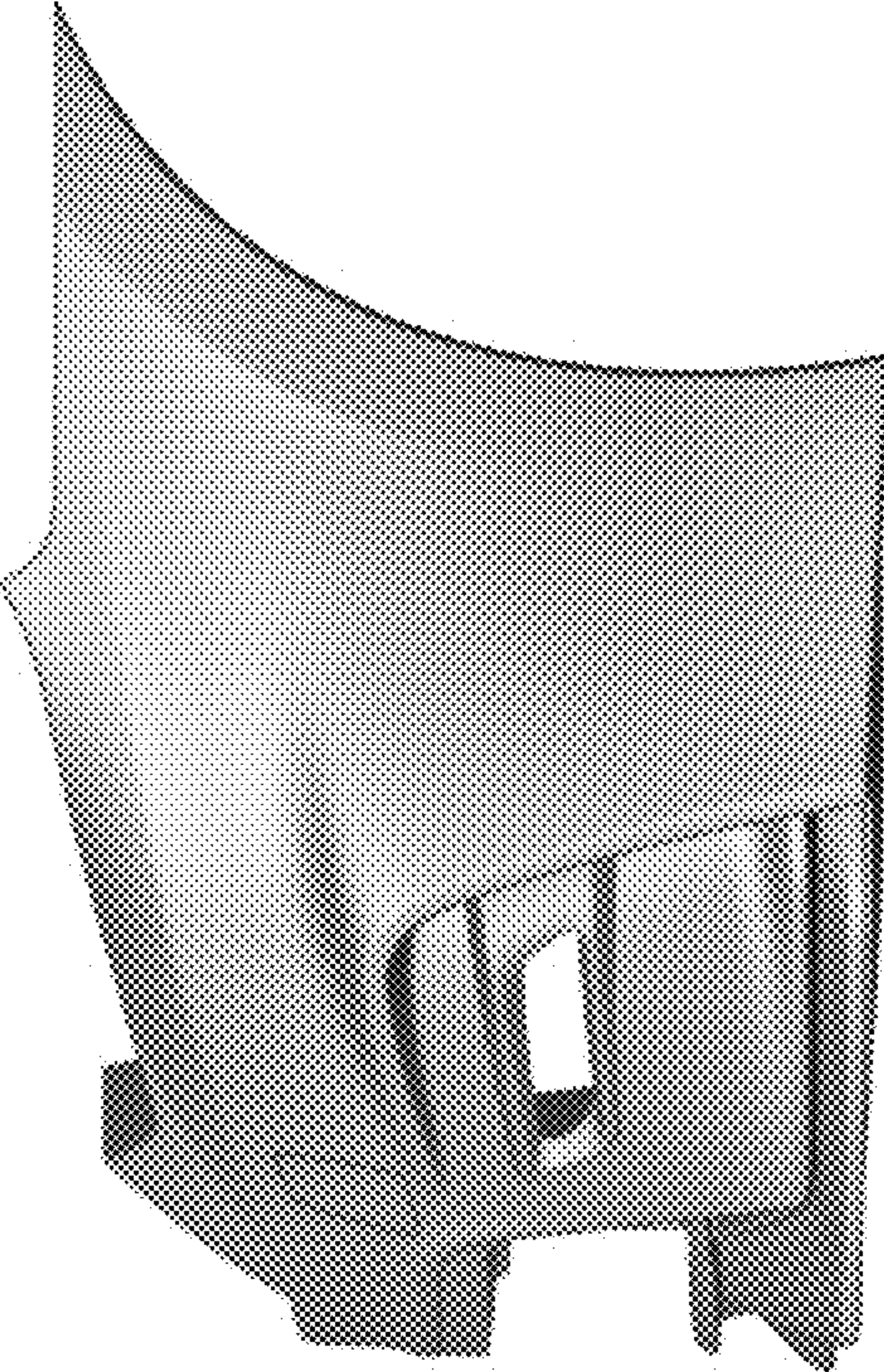


FIG. 4

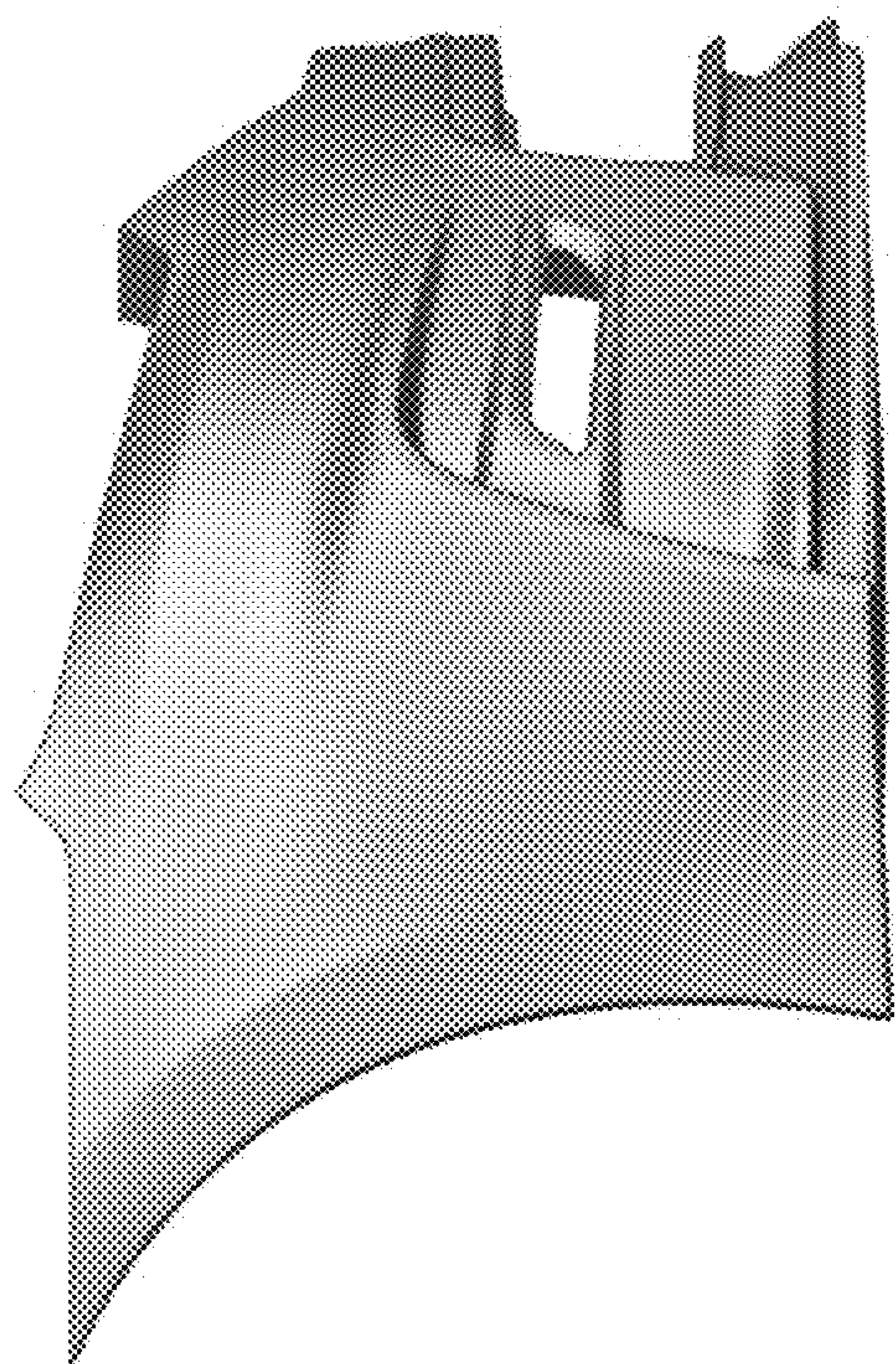


FIG. 5

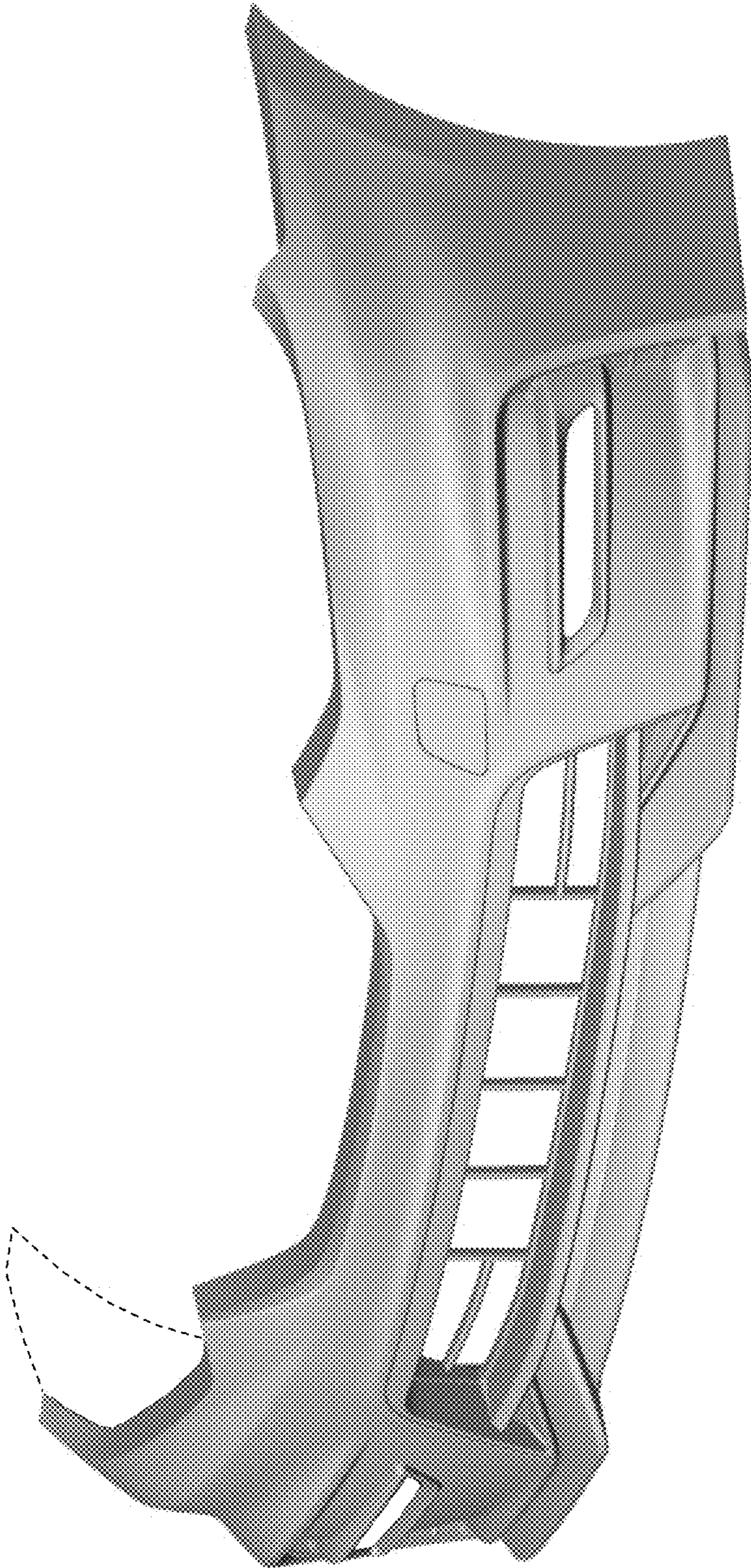


FIG. 6

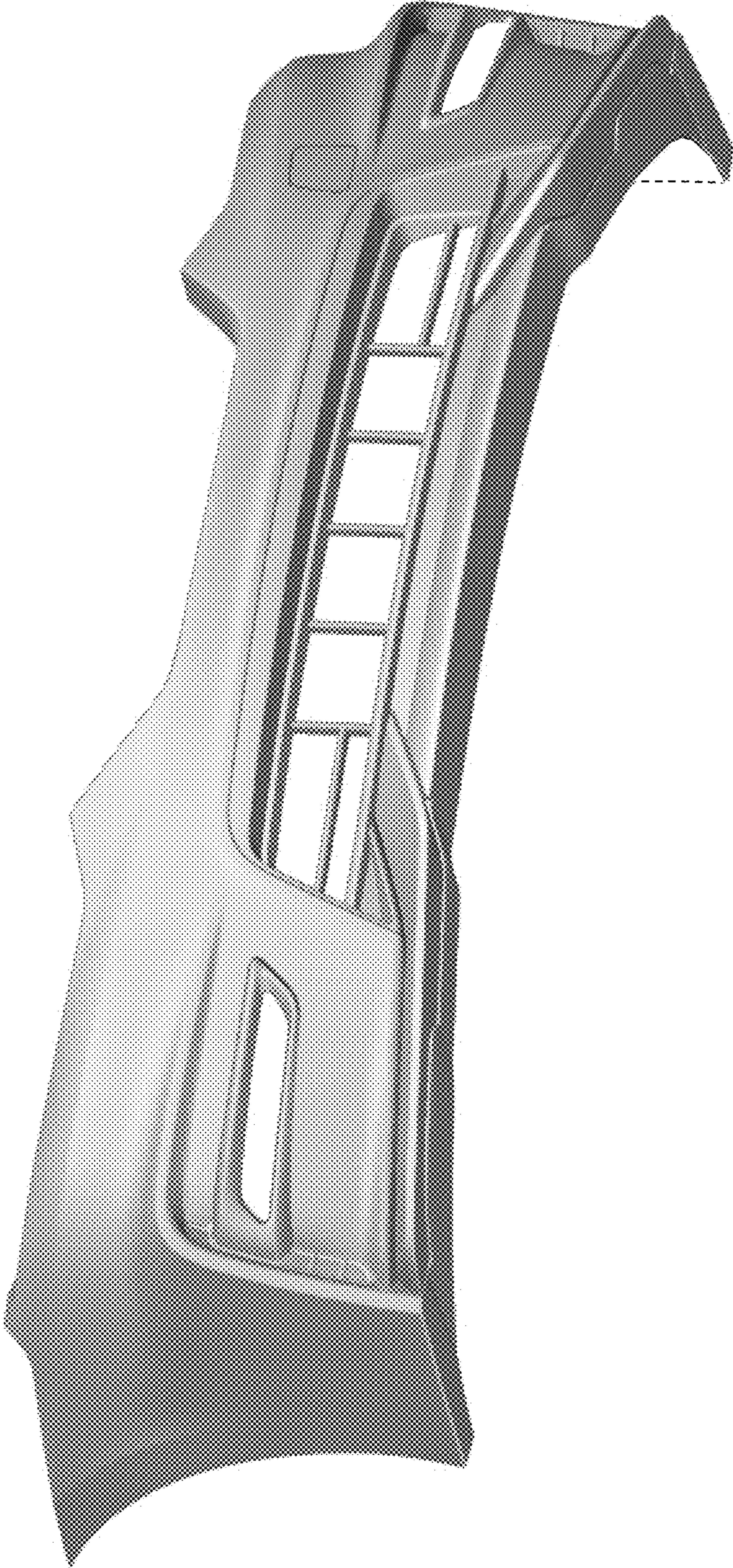


FIG. 7