



US00D821931S

(12) **United States Design Patent**  
**Winter et al.**

(10) **Patent No.:** **US D821,931 S**  
(45) **Date of Patent:** **\*\* Jul. 3, 2018**

(54) **OUTER TIE ROD END**  
(71) Applicant: **MEVOTECH LP**, Toronto (CA)  
(72) Inventors: **Simon Winter**, Toronto (CA); **Jack McVeigh**, Toronto (CA); **Tyler Kearns**, Toronto (CA); **Rosan Luiz**, Toronto (CA)  
(73) Assignee: **Mevotech LP**, Toronto (CA)

D402,617 S \* 12/1998 Adams, III ..... D12/160  
6,086,075 A \* 7/2000 O'Bryan ..... B62D 7/22  
280/89.12  
D444,745 S \* 7/2001 Garrard ..... D12/159  
6,357,956 B1 \* 3/2002 Zebolsky ..... B60G 7/005  
277/635  
6,446,991 B1 \* 9/2002 Klais ..... B60G 7/02  
280/124.134  
6,616,156 B1 \* 9/2003 Dudding ..... B62D 7/18  
280/93.512  
D680,032 S \* 4/2013 Nosworthy ..... D12/159  
(Continued)

(\*\*) Term: **15 Years**

(21) Appl. No.: **29/601,528**

(22) Filed: **Apr. 24, 2017**

(30) **Foreign Application Priority Data**

Oct. 24, 2016 (CA) ..... 171198

(51) **LOC (11) Cl.** ..... **12-16**

(52) **U.S. Cl.**  
USPC ..... **D12/160**

(58) **Field of Classification Search**  
USPC ..... D12/159-162  
CPC ..... B62D 7/16; B62D 7/163; B62D 7/166;  
B62D 3/12  
See application file for complete search history.

(56) **References Cited**

**U.S. PATENT DOCUMENTS**

3,112,123 A \* 11/1963 True ..... B62D 7/16  
280/93.509  
D223,024 S \* 2/1972 Thomas ..... D12/159  
3,766,810 A \* 10/1973 Romak ..... B25B 27/0035  
81/118  
5,219,176 A \* 6/1993 Mitchell ..... B21K 1/74  
280/93.512  
5,607,249 A \* 3/1997 Maughan ..... B62D 7/16  
403/120  
5,765,844 A \* 6/1998 Wood ..... B62D 7/20  
280/771

**OTHER PUBLICATIONS**

2 Outer Tie Rod End Chrysler Cirrus Sebring Dodge, posted at ebay, posting date Oct. 1, 2014. [online] [site visited Feb. 20, 2018]. Available from Internet. <URL: <https://www.ebay.com/itm/2-Outer-Tie-Rod-End-Chrysler-Cirrus-Sebring-Dodge-Stratus-Plymouth-Breeze/320922156616>> (Year: 2014).\*

(Continued)

*Primary Examiner* — Kevin K Rudzinski

*Assistant Examiner* — Kathleen L Jones

(74) *Attorney, Agent, or Firm* — Kusner & Jaffe

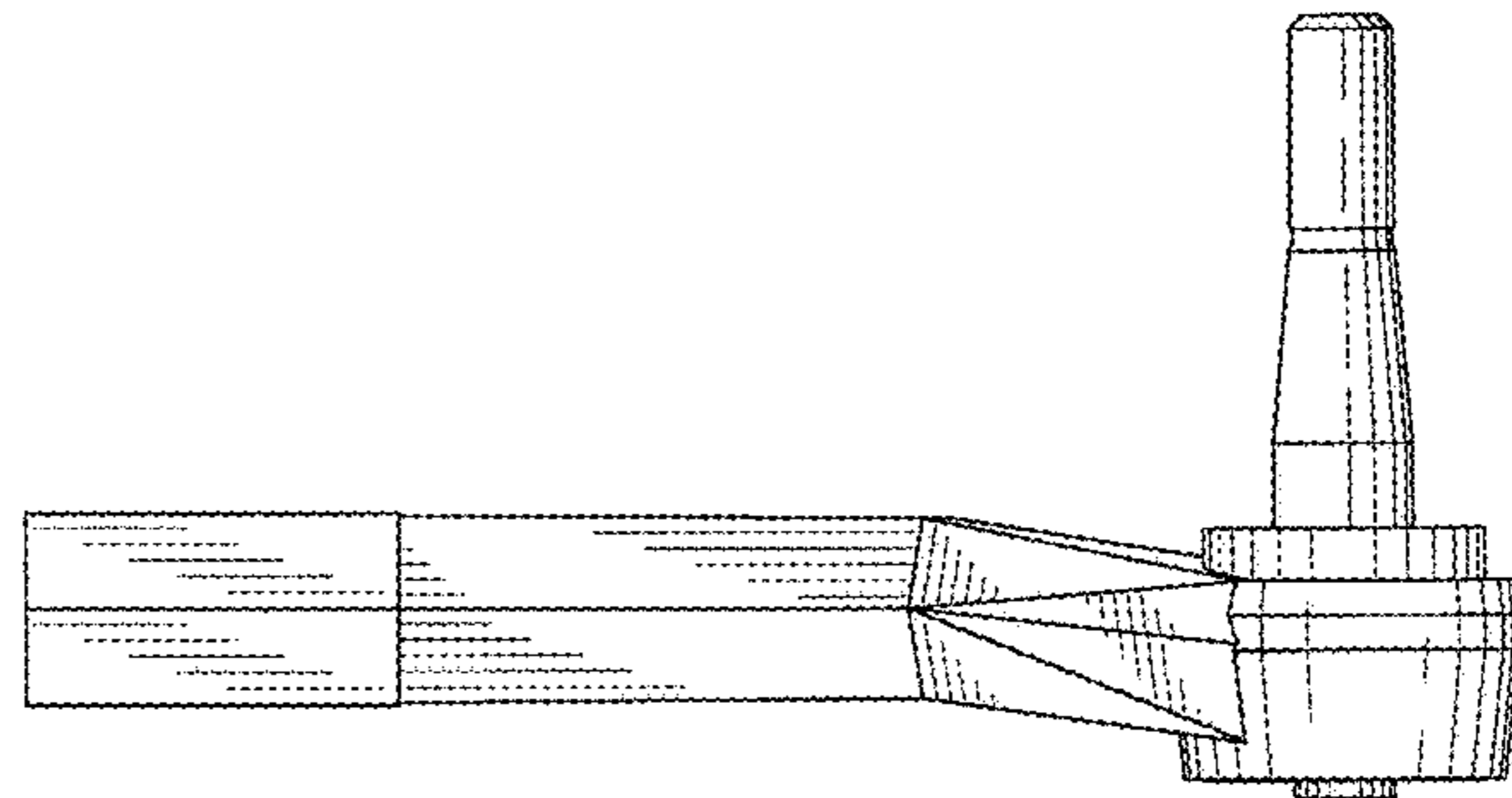
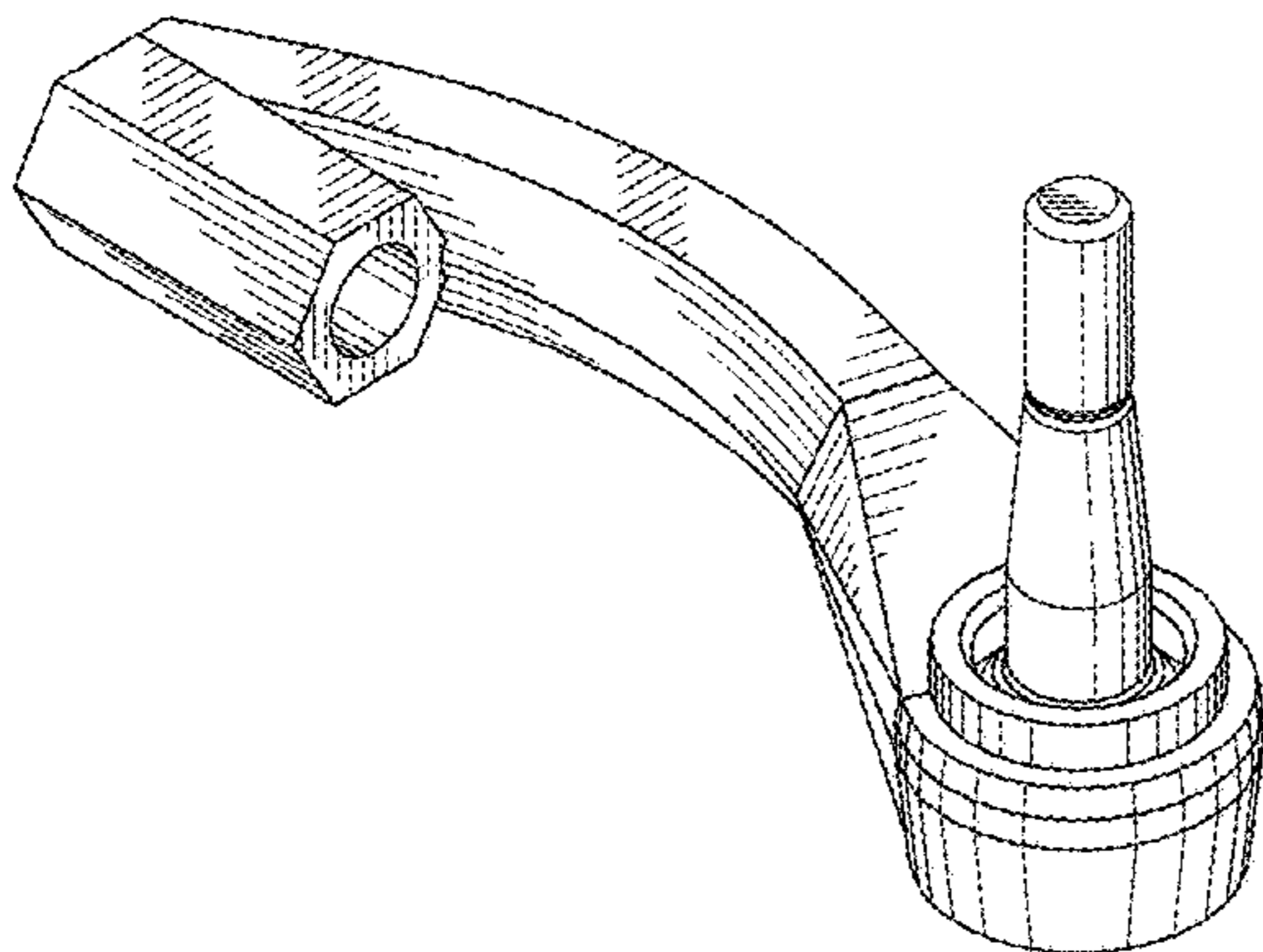
(57) **CLAIM**

The ornamental design for an outer tie rod end, as shown and described.

**DESCRIPTION**

FIG. 1 is a top front isometric view of an outer tie rod end, showing our design;  
FIG. 2 is a bottom front isometric view thereof;  
FIG. 3 is a rear view thereof;  
FIG. 4 is a front view thereof;  
FIG. 5 is a right side view thereof;  
FIG. 6 is a left side view thereof;  
FIG. 7 is a top view thereof; and,  
FIG. 8 is a bottom view thereof.

**1 Claim, 5 Drawing Sheets**



(56)

References Cited

U.S. PATENT DOCUMENTS

9,327,570	B2 *	5/2016	Karpman .....	B60G 7/005
D785,513	S *	5/2017	Park .....	D12/159
2006/0133892	A1 *	6/2006	Martin .....	B62D 7/166 403/165
2006/0232035	A1 *	10/2006	Lambert .....	B62D 7/16 280/93.502
2007/0256886	A1 *	11/2007	Van Campenhout ....	B62D 3/12 180/428
2008/0197593	A1 *	8/2008	Byrne .....	B62D 7/20 280/86.757
2009/0179396	A1 *	7/2009	Gottschalk .....	B60G 9/003 280/86.5
2010/0124455	A1 *	5/2010	Zaloga .....	B62D 7/16 403/144
2014/0252741	A1 *	9/2014	Corby .....	B60G 3/06 280/124.134
2015/0251695	A1 *	9/2015	Burgess .....	B62D 7/16 403/343
2016/0347362	A1 *	12/2016	Bloink .....	B62D 7/18

OTHER PUBLICATIONS

Duralast Tie Rod End, posted at autozone, posting date not available. [online] [site visited Feb. 20, 2018]. Available from Internet. <URL: [https://www.autozone.com/suspension-steering-tire-and-wheel/tie-rod-end/duralast-tie-rod-end/310577\\_405688\\_25184](https://www.autozone.com/suspension-steering-tire-and-wheel/tie-rod-end/duralast-tie-rod-end/310577_405688_25184)>.\*

First Equipment Quality Tie Rod End, posted at Auto Parts Warehouse, posting date not available. [online] [site visited Feb. 20, 2018]. Available from Internet. <URL: [https://www.autopartswarehouse.com/sku/First\\_Equipment\\_Quality/Tie\\_Rod\\_End/W0133-1656025.html](https://www.autopartswarehouse.com/sku/First_Equipment_Quality/Tie_Rod_End/W0133-1656025.html)>.\*

Steering Tie Rod End Mevotech MS10691, posted at ebay, posting date Jan. 3, 2018. [online] [site visited Feb. 20, 2018]. Available from Internet. <URL: <https://www.ebay.com/p/Steering-Tie-Rod-End-Mevotech-MS10691/220236198?thm=1000>> (Year: 2018).\*

Tie Rod Ends Front Inner and Outer Kit, posted at ebay, posting date Jan. 8, 2017. [online] [site visited Feb. 20, 2018]. Available from Internet. <URL: <https://www.ebay.com/itm/Tie-Rod-Ends-Front-Inner-Outer-Kit-Set-of-4-for-Cirrus-Sebring-Stratus-Breeze/311703252878>> (Year: 2017).\*

\* cited by examiner

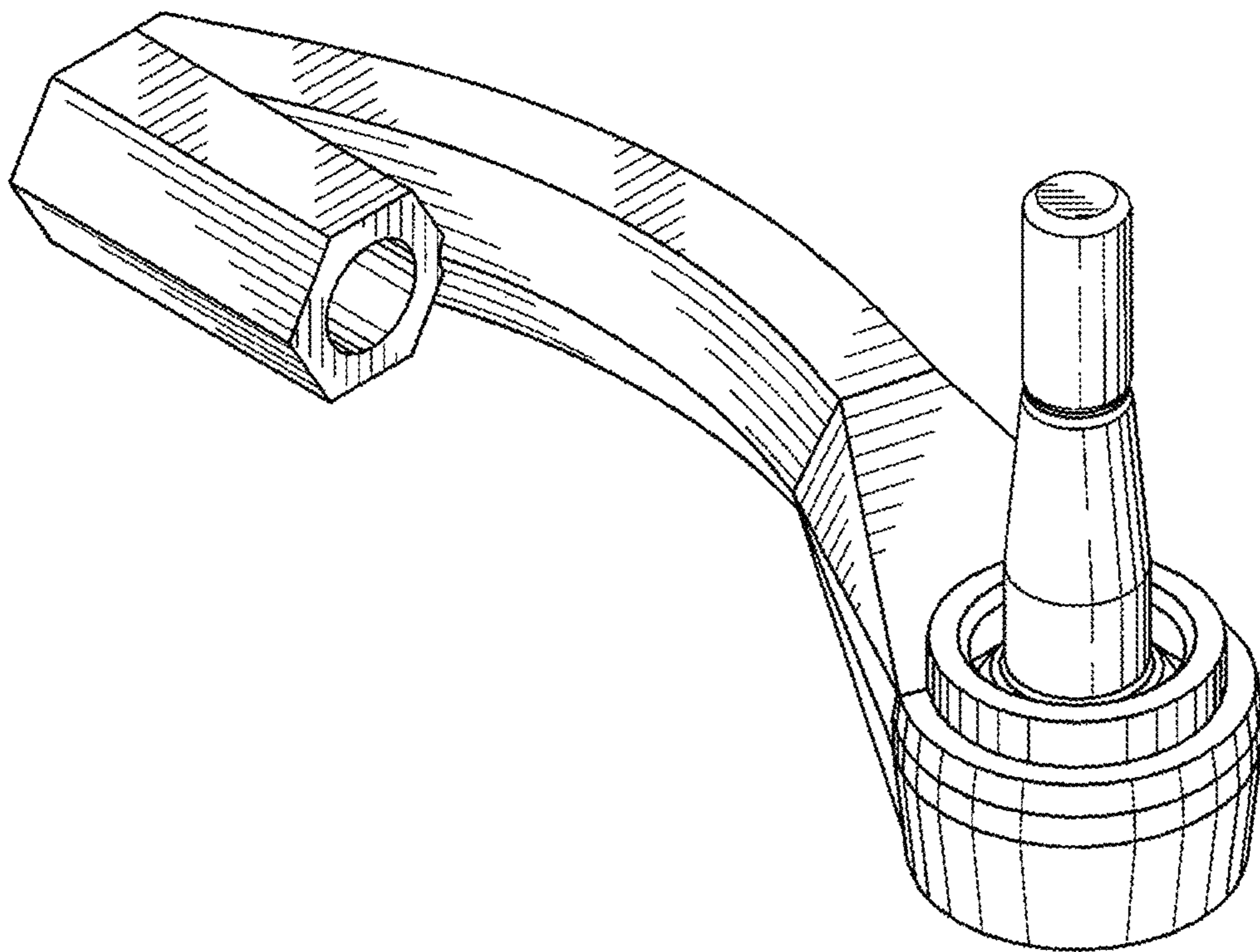


FIG. 1

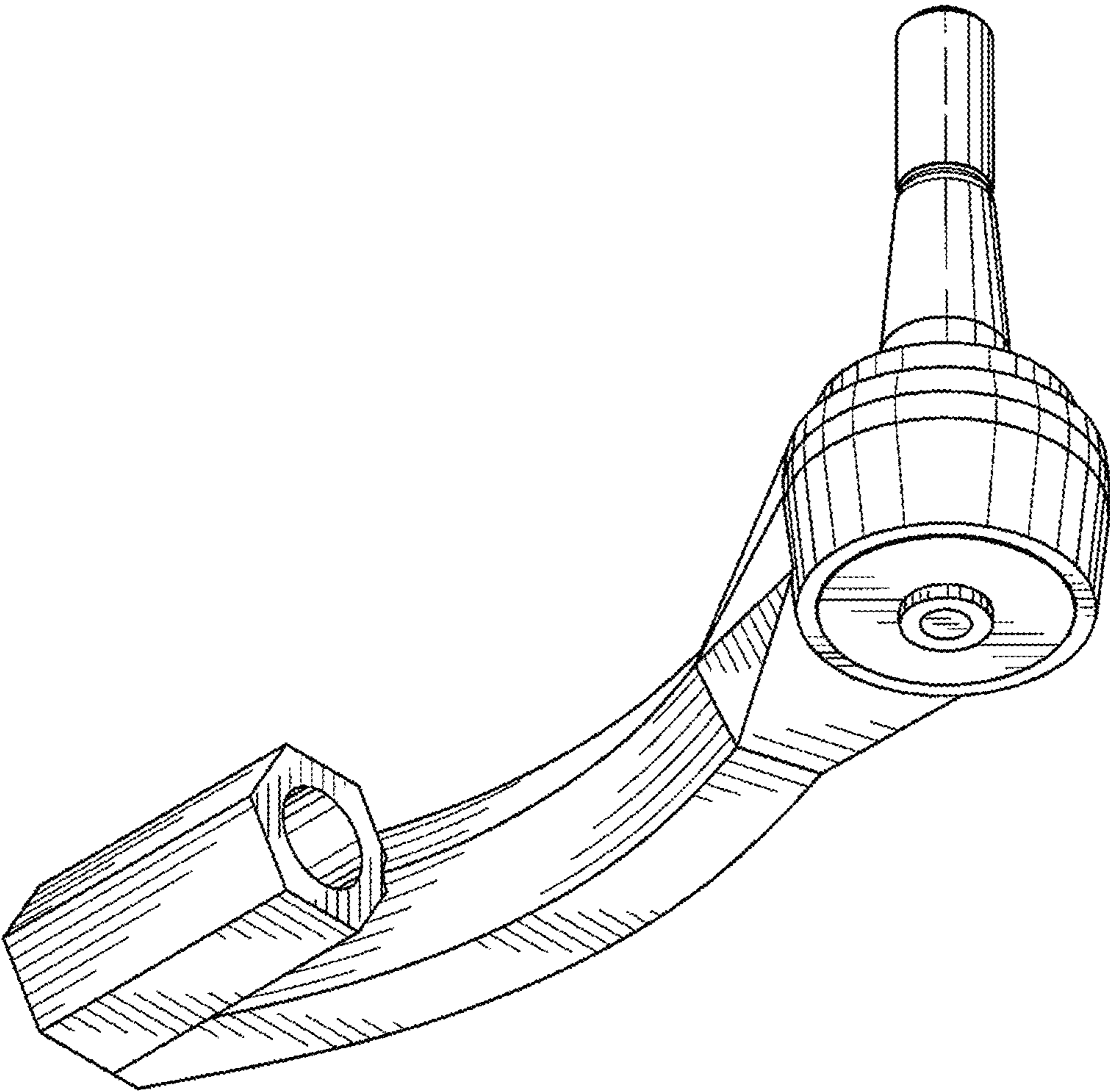


FIG. 2

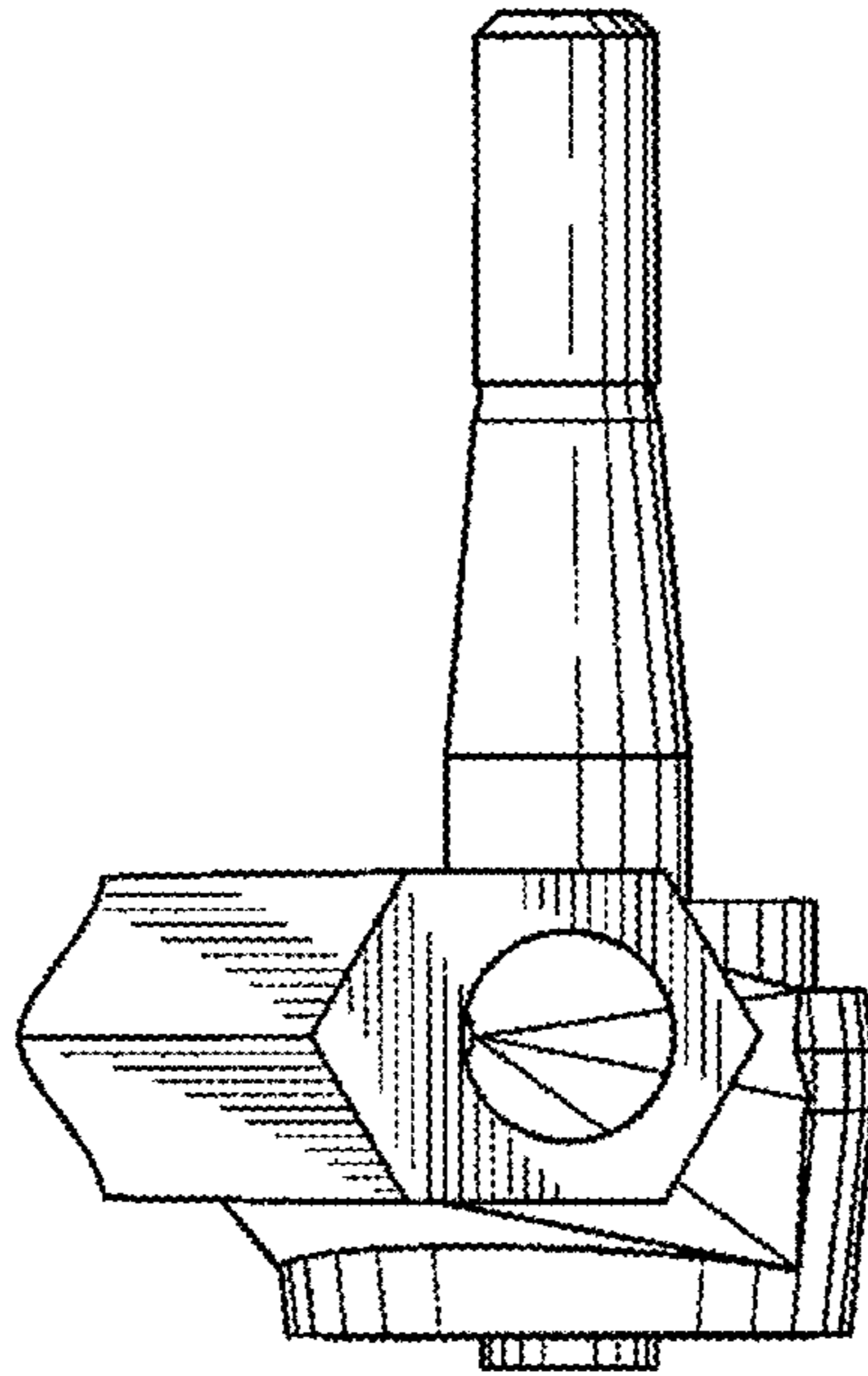


FIG.3

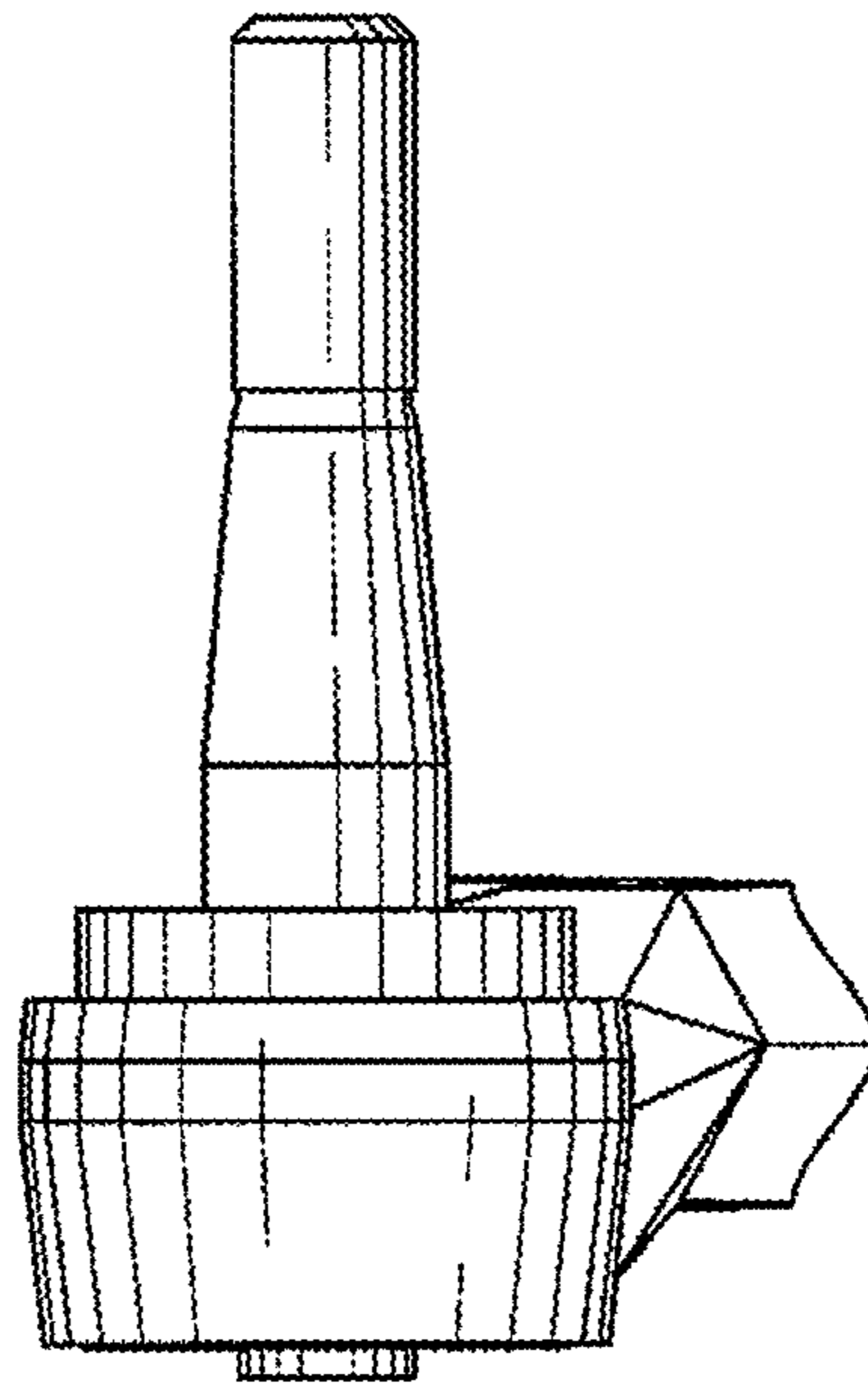


FIG.4

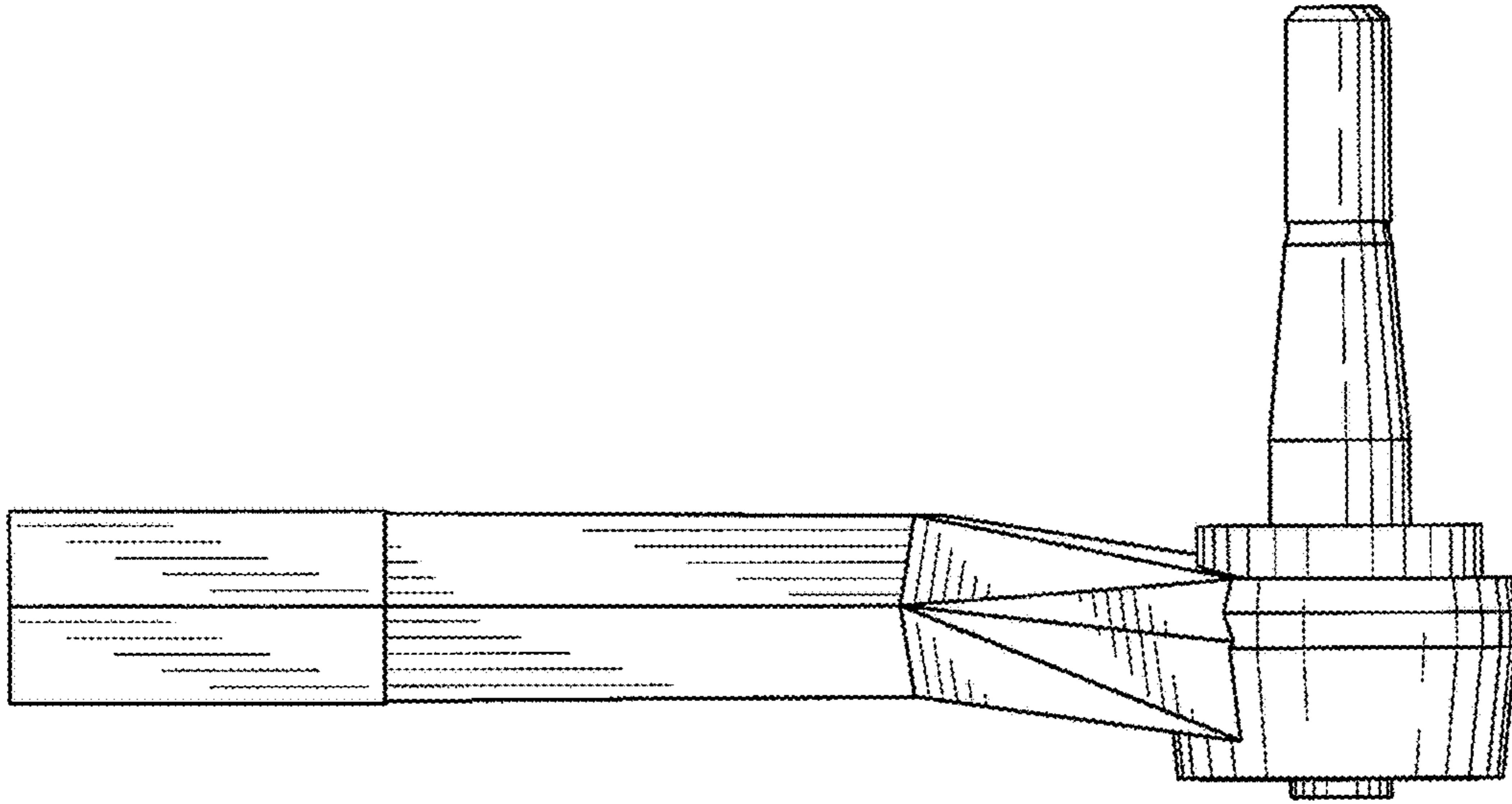


FIG.5

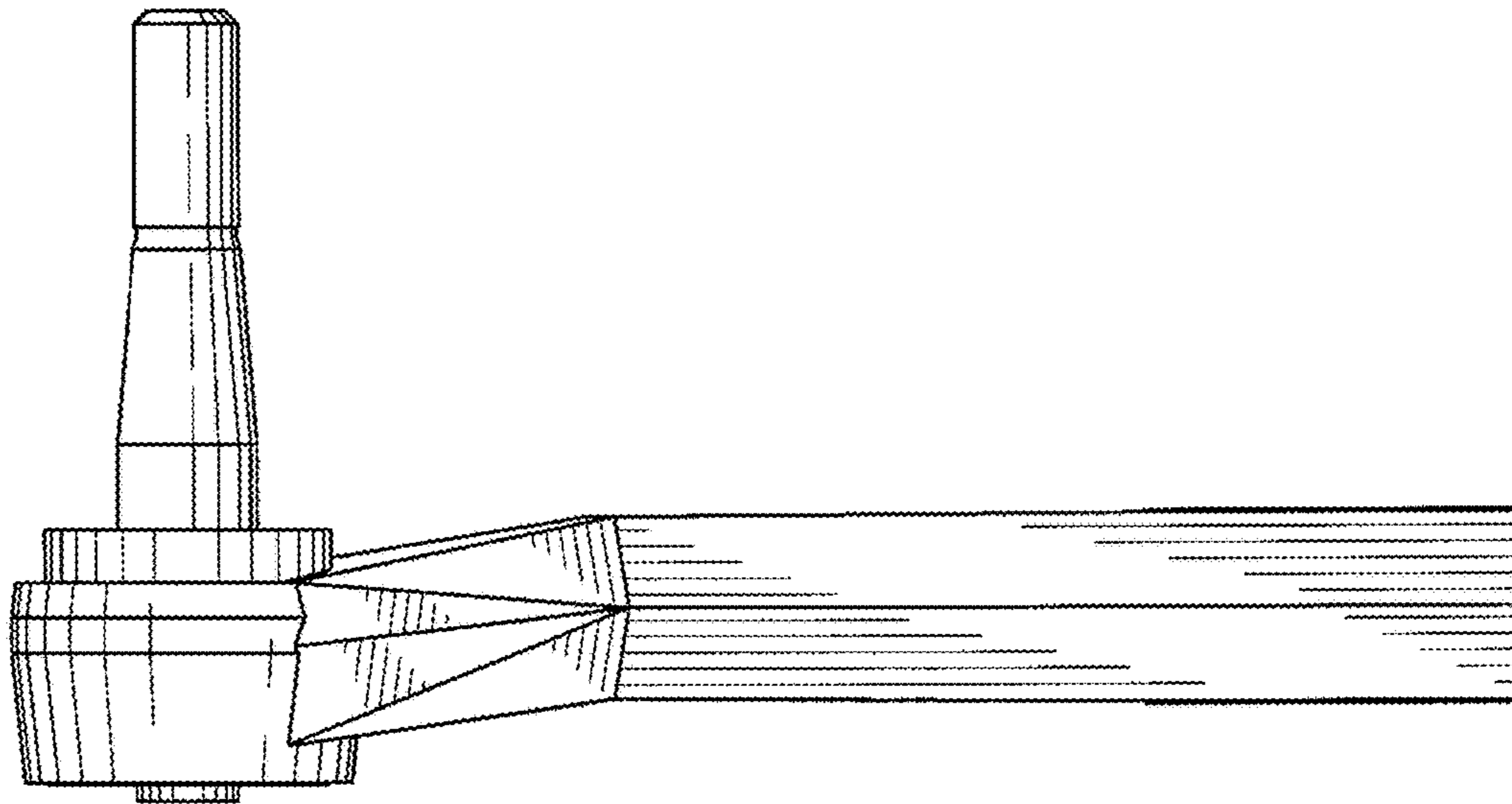


FIG.6

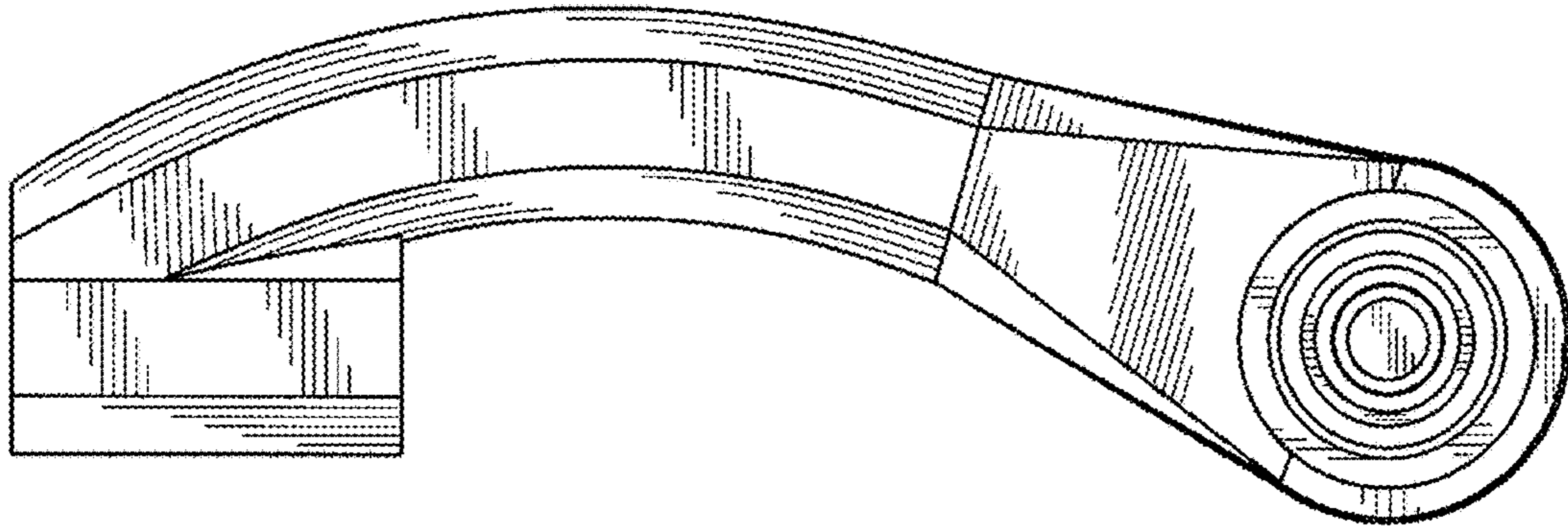


FIG. 7

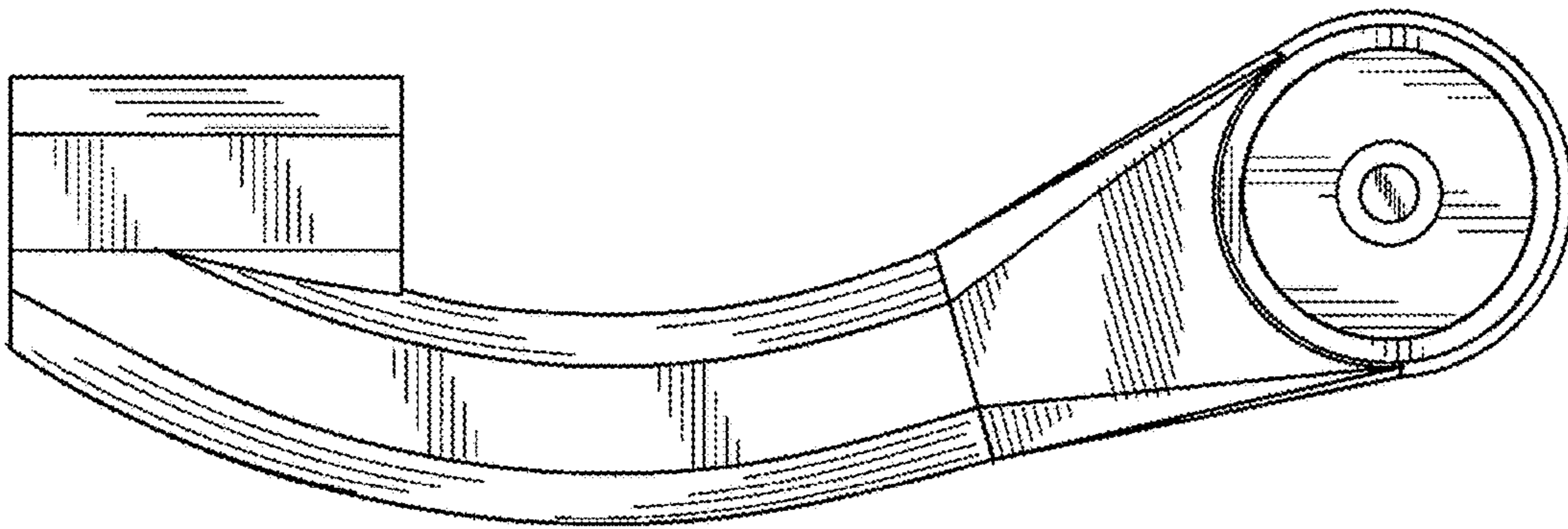


FIG. 8