



US00D821929S

(12) **United States Design Patent**
Noble et al.

(10) **Patent No.:** **US D821,929 S**
(45) **Date of Patent:** **** Jul. 3, 2018**

(54) **BOLSTER SPRING**

(71) Applicant: **Hendrickson USA, L.L.C.**, Itasca, IL
(US)

(72) Inventors: **Shawn D. Noble**, Naperville, IL (US);
Andrew X. Rarey, North Aurora, IL
(US)

(73) Assignee: **Hendrickson USA, L.L.C.**, Itasca, IL
(US)

(**) Term: **15 Years**

(21) Appl. No.: **29/574,562**

(22) Filed: **Aug. 16, 2016**

(51) **LOC (11) Cl.** **12-16**

(52) **U.S. Cl.**
USPC **D12/159**

(58) **Field of Classification Search**
USPC D12/174-175, 159
CPC B60G 11/22; B60G 2204/125; B60G
2202/143; B60G 2202/142; B60G
2204/41; B60G 2202/14; B60G 2206/73;
B60W 10/20; B60W 2540/18; B62D
1/046; B62D 1/185; B62D 1/195; B62D
1/187

See application file for complete search history.

(56) **References Cited**

U.S. PATENT DOCUMENTS

4,000,914	A	1/1977	Wragg	
6,585,286	B2	7/2003	Adema et al.	
D605,984	S *	12/2009	Noble	D12/159
D610,952	S *	3/2010	Noble	D12/159
8,152,195	B2	4/2012	Noble et al.	
D677,607	S *	3/2013	Moriyama	D12/159
D699,637	S *	2/2014	Noble	D12/160
8,720,937	B2 *	5/2014	Noble	F16F 1/373 267/140

9,004,512	B2	4/2015	Noble et al.	
9,150,071	B2 *	10/2015	Noble	B60G 5/02
D763,742	S *	8/2016	Noble	D12/159

(Continued)

FOREIGN PATENT DOCUMENTS

GB	2069424	8/1981
GB	2252276	8/1992

OTHER PUBLICATIONS

Hendrickson, Haulmaxx, Technical Procedure, Service Instructions,
Lit. No. 17730-244, Dec. 2007, Rev. C, 48 pages.
(Continued)

Primary Examiner — Michael A. Pratt
(74) *Attorney, Agent, or Firm* — McDonnell Boehnen
Hulbert & Berghoff LLP

(57) **CLAIM**

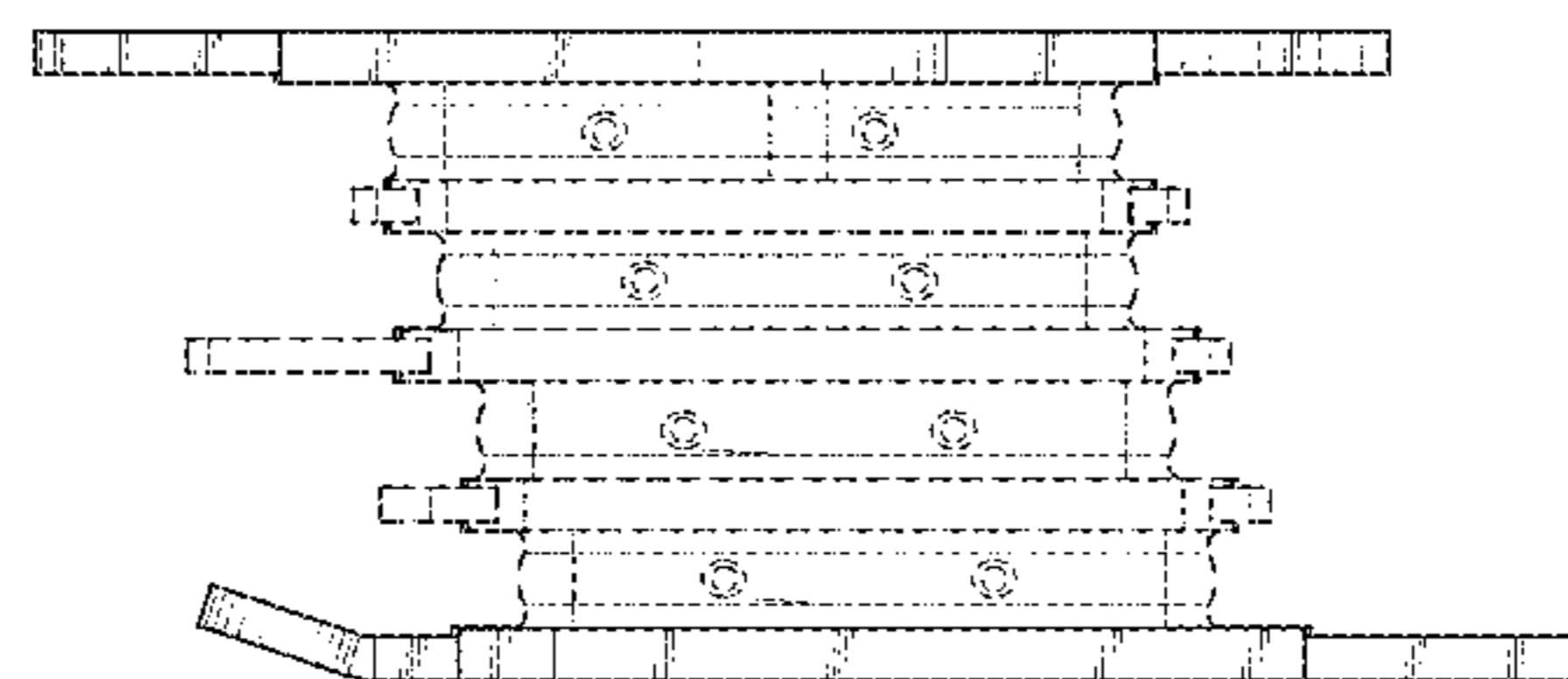
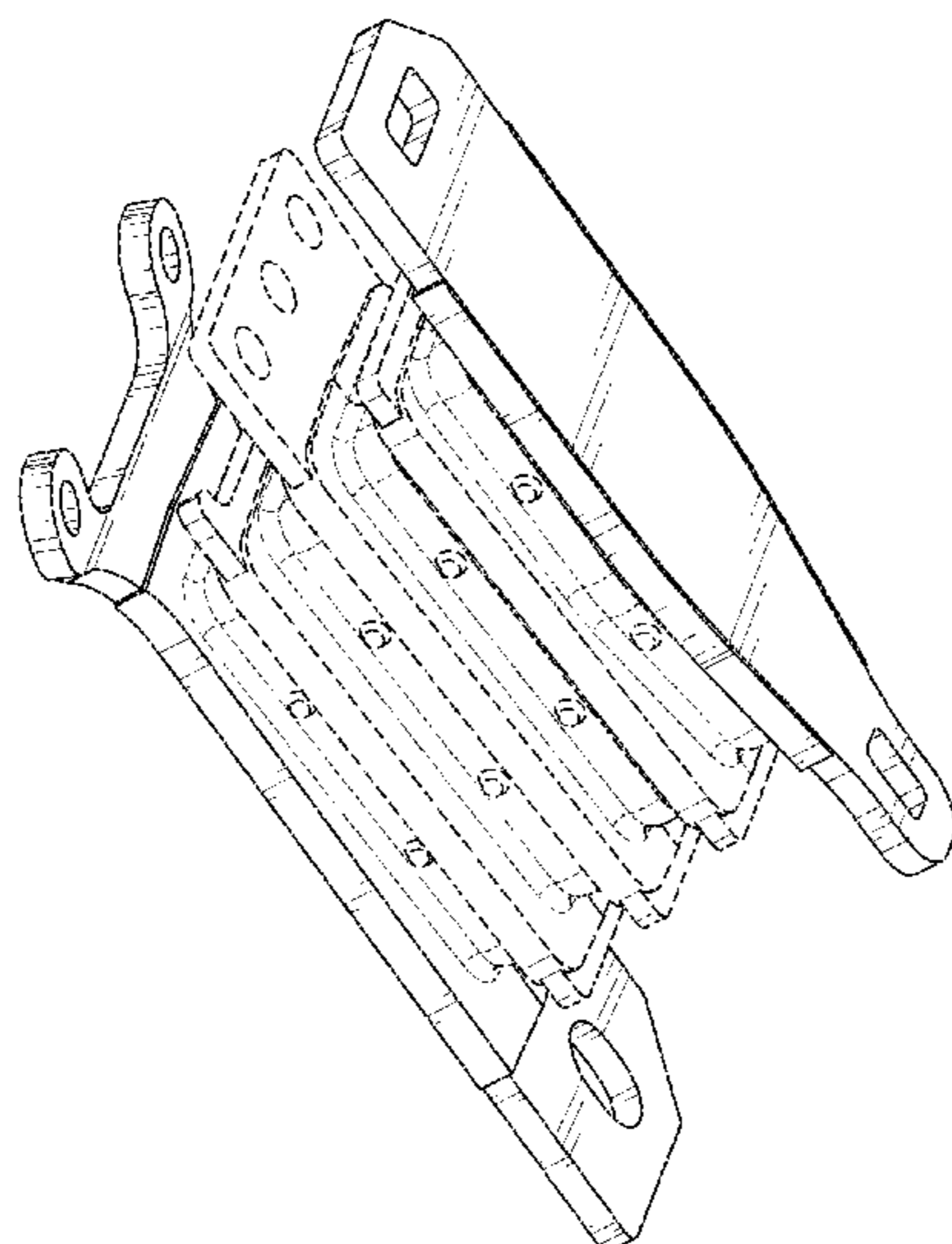
The ornamental design for a bolster spring, as shown and
described.

DESCRIPTION

FIG. 1 is a perspective top and left side view of a bolster
spring having the inventive design;
FIG. 2 is a rear view of the bolster spring shown in FIG. 1;
FIG. 3 is a front view of the bolster spring shown in FIG. 1;
FIG. 4 is a left side view of the bolster spring shown in FIG.
1;
FIG. 5 is a right side view of the bolster spring shown in
FIG. 1;
FIG. 6 is a top view of the bolster spring shown in FIG. 1;
and,
FIG. 7 is a bottom view of the bolster spring shown in FIG.
1.

The broken lines in the drawings are for the purpose of
illustrating portions of the bolster spring that form no part of
the claimed design. Portions of the bolster spring shown in
broken lines form no part of the claimed design.

1 Claim, 4 Drawing Sheets



(56)

References Cited

U.S. PATENT DOCUMENTS

9,545,933 B2 * 1/2017 Nishimura B61F 5/10
9,604,517 B2 * 3/2017 Noble B60G 5/02
2008/0030006 A1 * 2/2008 Sellers B60G 9/00
280/686
2016/0089942 A1 * 3/2016 Noble B60G 5/02
280/677

OTHER PUBLICATIONS

Hendrickson, HN Series, VariRate Spring System, Lit. No. 45745-087, Rev. K, Apr. 2014, 3 pages.

International Searching Authority, International Search Report and Written Opinion for PCT/US2014/060704 dated May 11, 2015, 10 pages.

IAA Trade Show Document “65th IAA Commercial Vehicles International motor Show in Hanover, Sep. 25 to Oct. 2, 2014” pp. 1-6.

Hendrickson “Range of Global Suspensions Broadened” Sep. 2014, pp. 1-3.

Hendrickson “Global Haulmaxx Introduced” Sep. 2014, pp. 1-3.

Hendrickson “Haulmaxx Suspension Features and Benefits brochure” (2014), pp. 1-2.

Hendrickson “Tradeshaw Photograph” Sep. 2014, p. 1.

Hendrickson “Second Tradeshaw Photograph” Sep. 2014, p. 1.

* cited by examiner

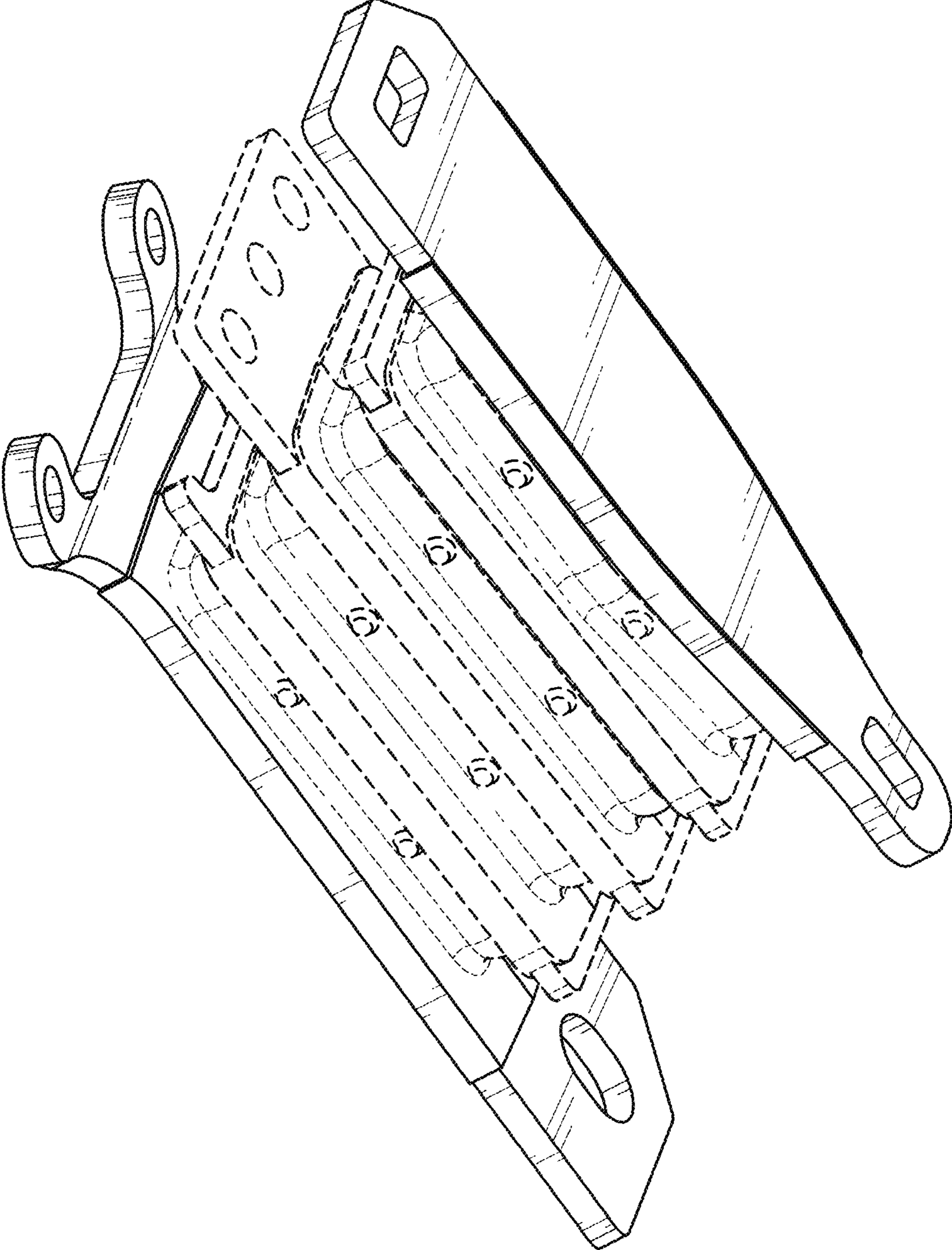


FIG. 1

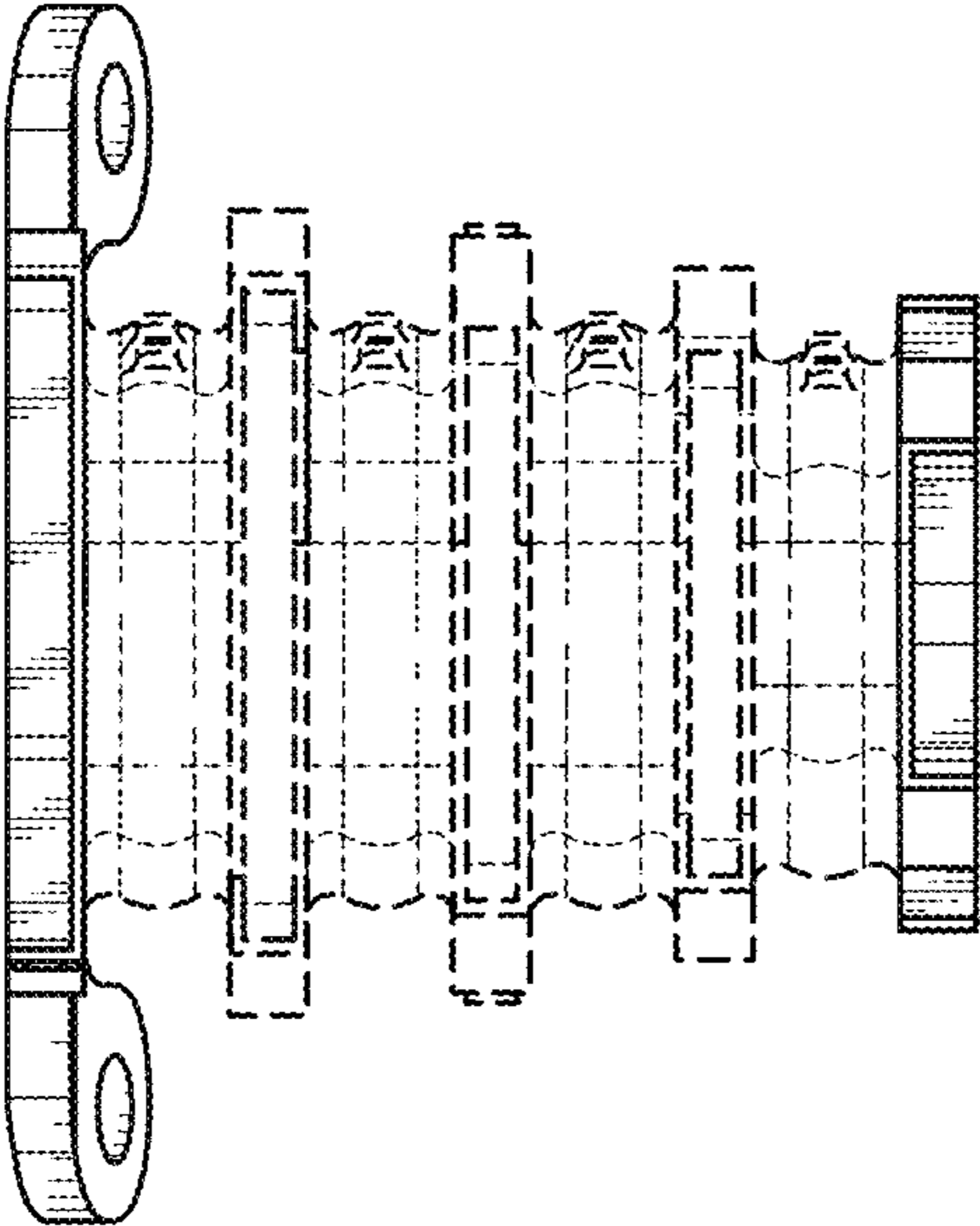


FIG. 2

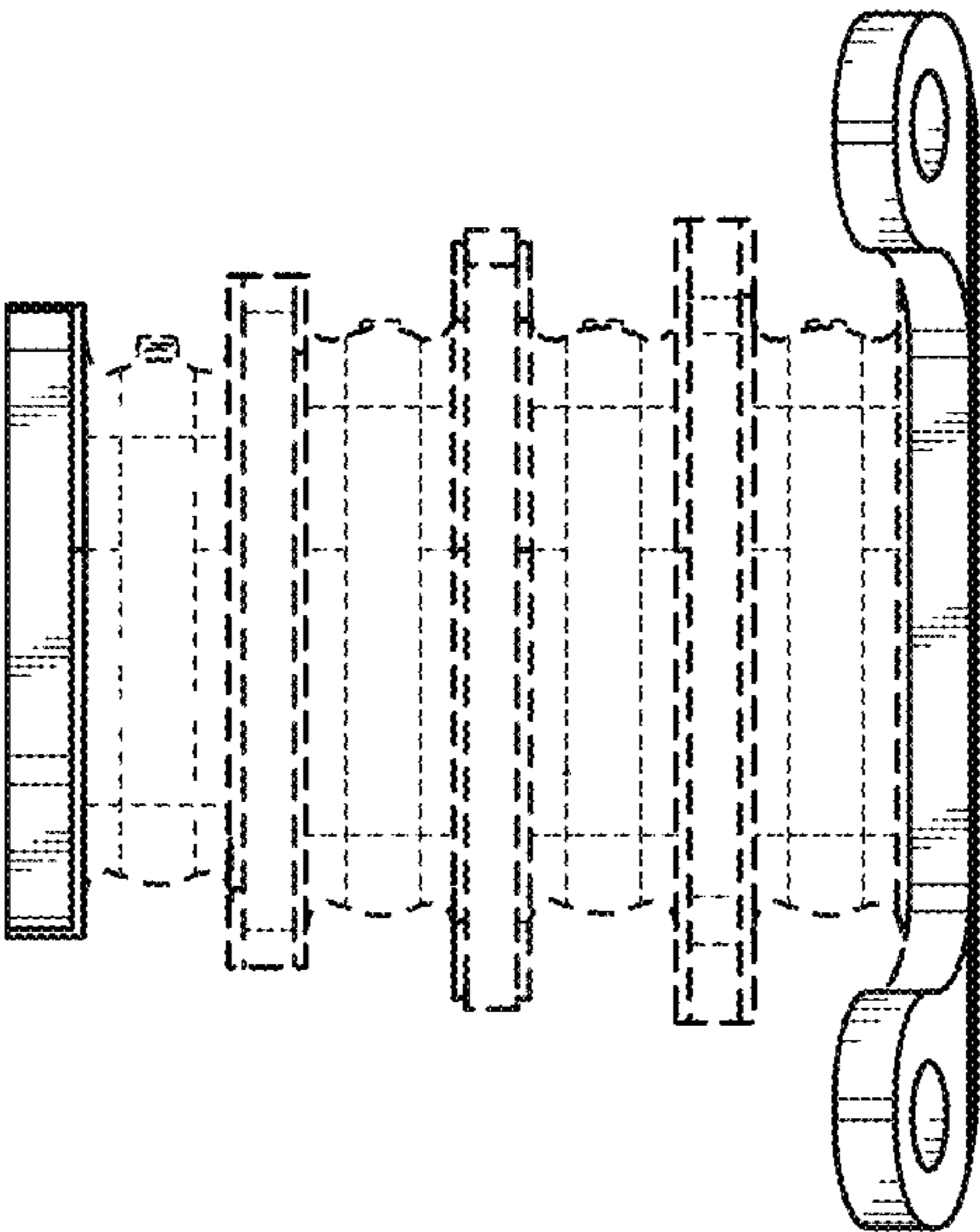


FIG. 3

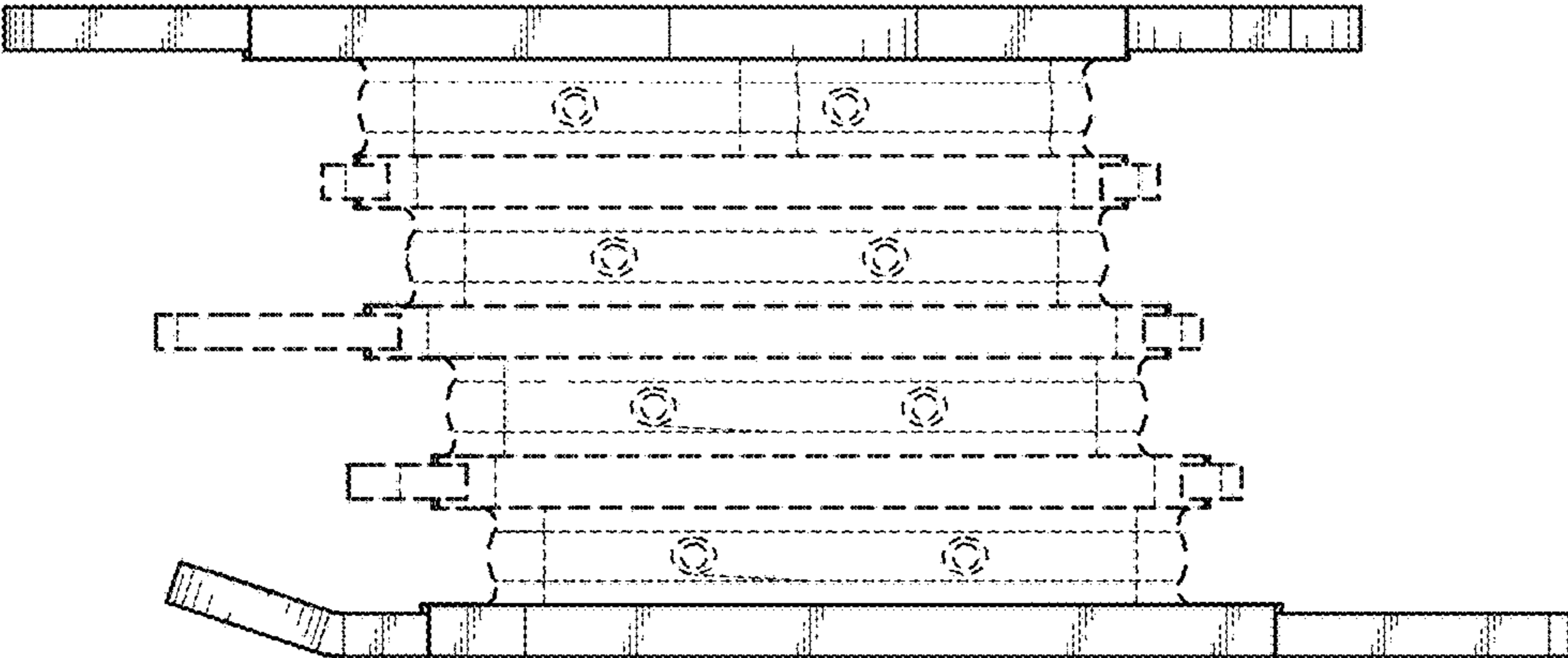


FIG. 4

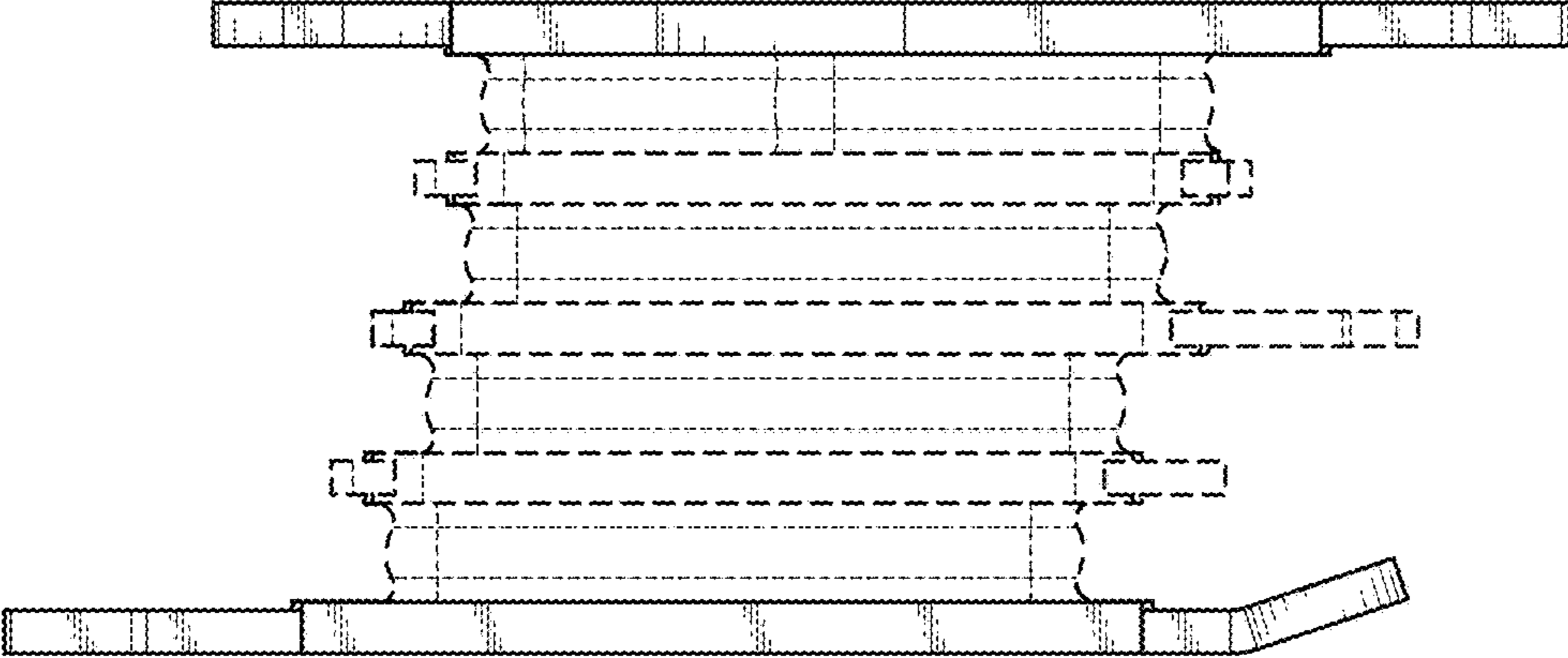


FIG. 5

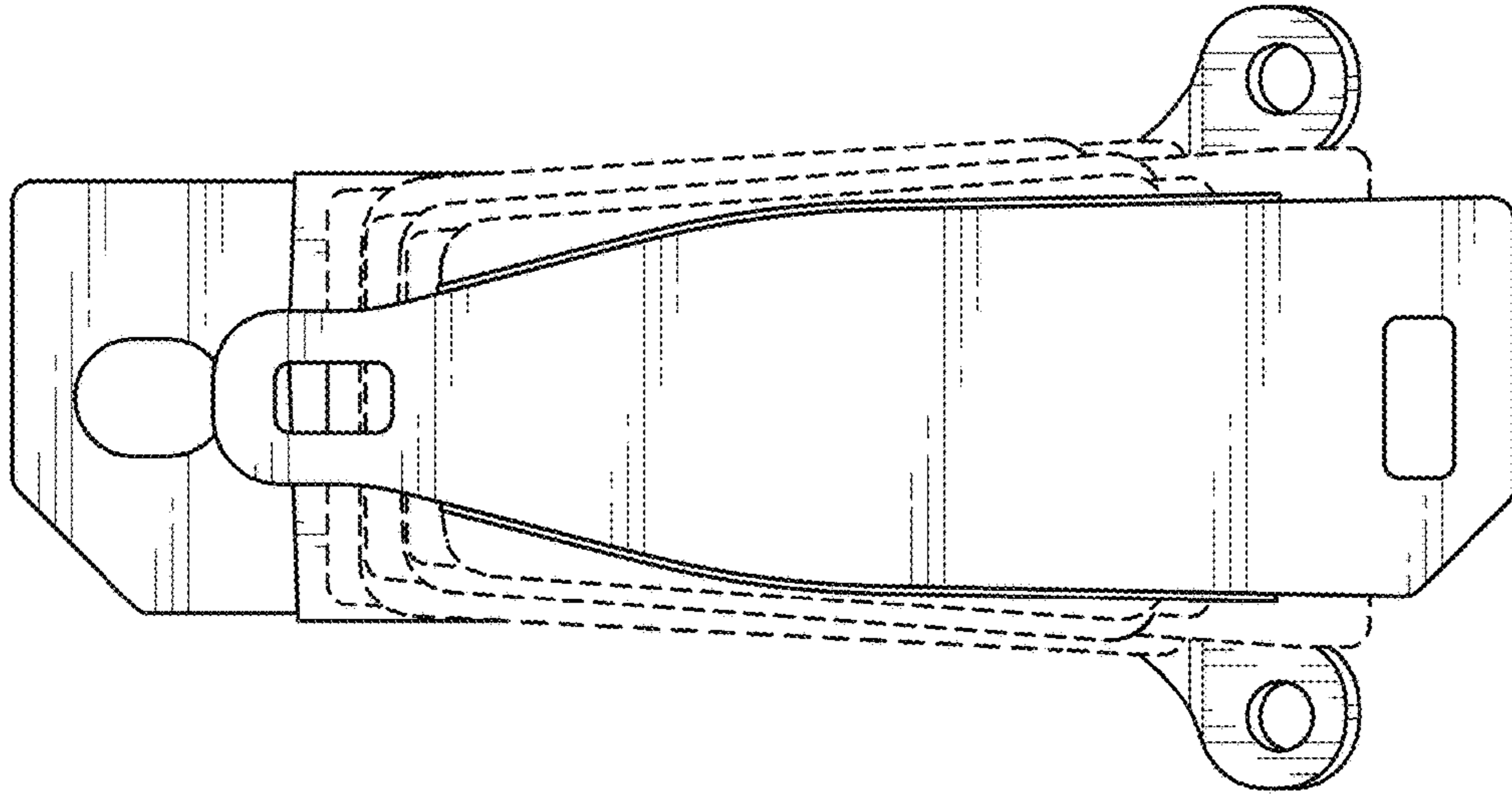


FIG. 6

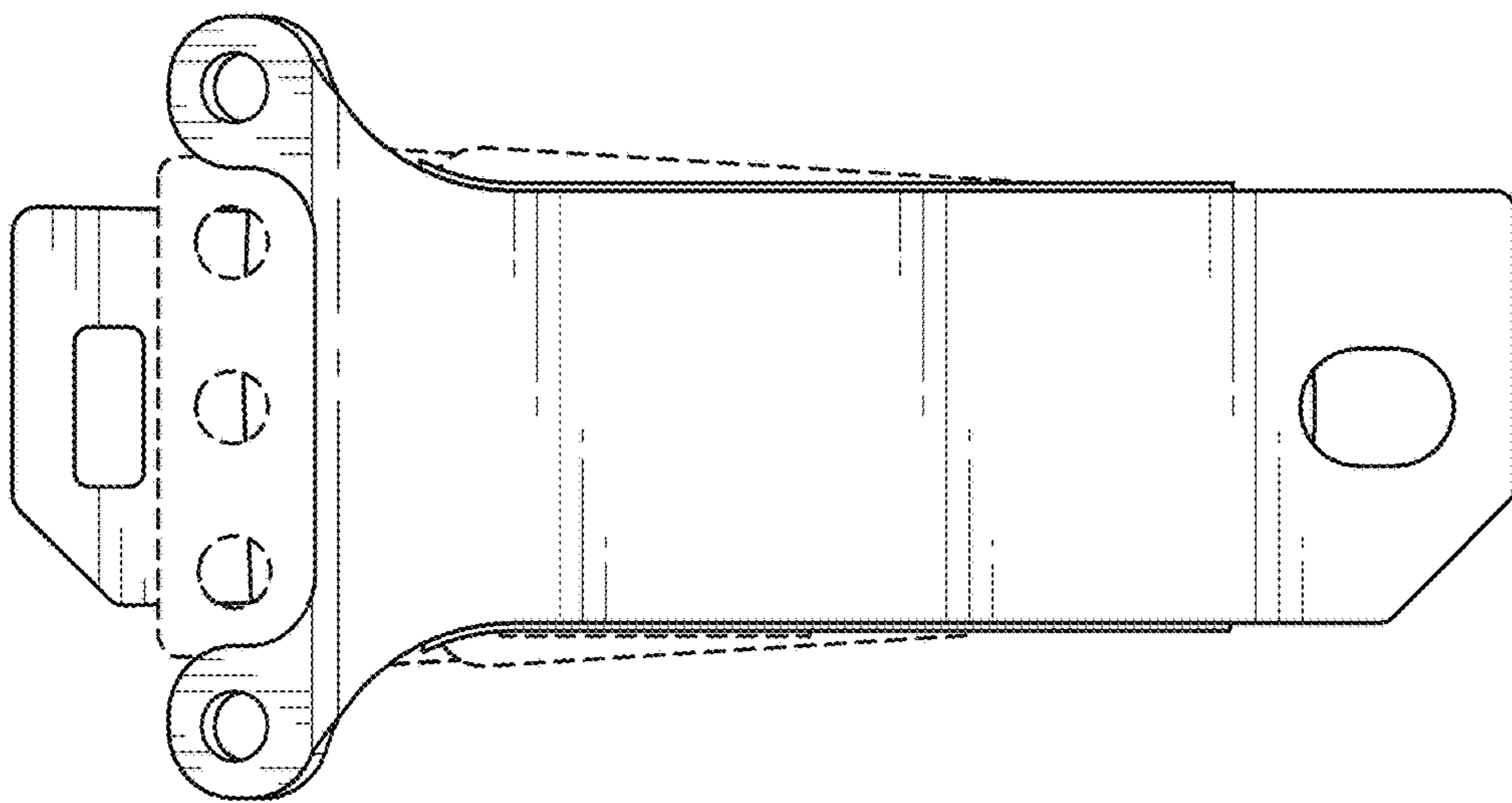


FIG. 7