



US00D821928S

(12) **United States Design Patent**  
**Bardina**

(10) **Patent No.:** **US D821,928 S**  
(45) **Date of Patent:** **\*\* Jul. 3, 2018**

(54) **WHEELCHAIR STRUCTURE ELEMENT**

(71) Applicant: **NINO ROBOTICS, Lit-et-Mixe (FR)**

(72) Inventor: **Pierre Bardina,**  
**Saint-Jean-de-la-Blaquiere (FR)**

(\*\*) Term: **15 Years**

(21) Appl. No.: **35/502,973**

(22) Filed: **Feb. 20, 2017**

(80) **Hague Agreement Data**

Int. Filing Date: **Feb. 20, 2017**

Int. Reg. No.: **DM/095800**

Int. Reg. Date: **Feb. 20, 2017**

Int. Reg. Pub. Date: **May 12, 2017**

(51) **LOC (11) Cl.** ..... **12-12**

(52) **U.S. Cl.**

USPC ..... **D12/133**

(58) **Field of Classification Search**

USPC ..... D12/128-133

CPC ..... A61G 5/02; A61G 5/021; A61G 5/022;

A61G 5/023; A61G 5/024; A61G 5/027;

A61G 5/04

See application file for complete search history.

(56) **References Cited**

**U.S. PATENT DOCUMENTS**

4,471,972 A \* 9/1984 Young ..... A61G 5/023

280/244

4,720,117 A \* 1/1988 Hay ..... A61G 5/023

280/250

5,501,480 A \* 3/1996 Ordelman ..... A61G 5/023

180/13

5,899,476 A \* 5/1999 Noyola ..... A61G 5/023

280/250.1

D592,373 S \* 5/2009 Evans ..... D12/133

D594,792 S \* 6/2009 Shimodaira ..... A61G 5/10

D12/130

D623,559 S \* 9/2010 Yamamoto ..... A61G 5/027

D12/130

8,651,507 B2 \* 2/2014 Kylstra ..... A61G 5/10

280/250.1

9,056,035 B2 \* 6/2015 Ju ..... A61G 5/027

9,872,805 B2 \* 1/2018 Bach Castillo ..... A61G 5/10

D809,974 S \* 2/2018 Chan ..... A61G 5/023

D12/131

\* cited by examiner

*Primary Examiner* — George D. Kirschbaum

*Assistant Examiner* — Joseph J Kukella

(57) **CLAIM**

The ornamental design for a wheelchair structure element, as shown and described.

**DESCRIPTION**

1. Wheelchair structure element

1.1 : Top

1.2 : Front

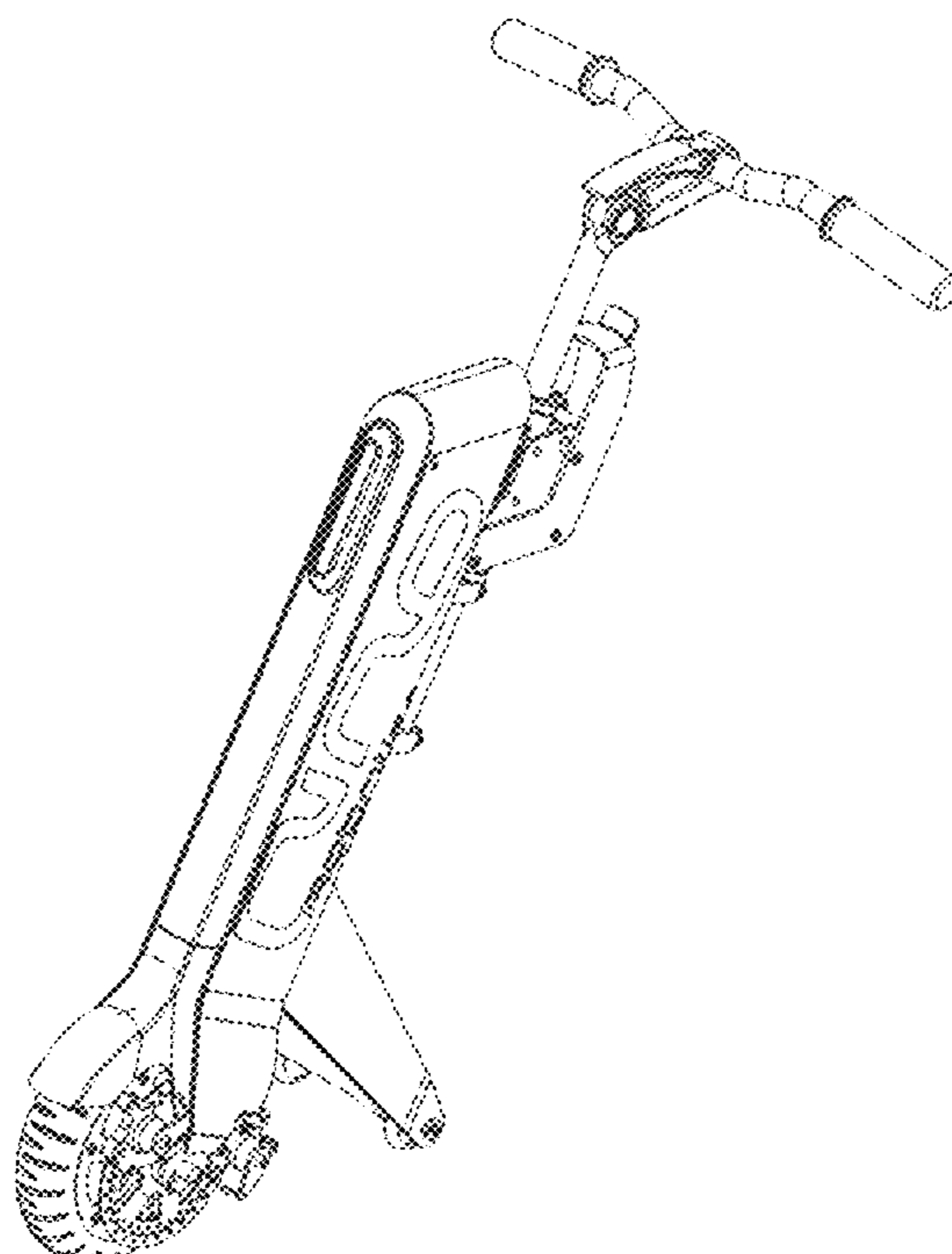
1.3 : ¾ front with wheelchair

1.4 : Left

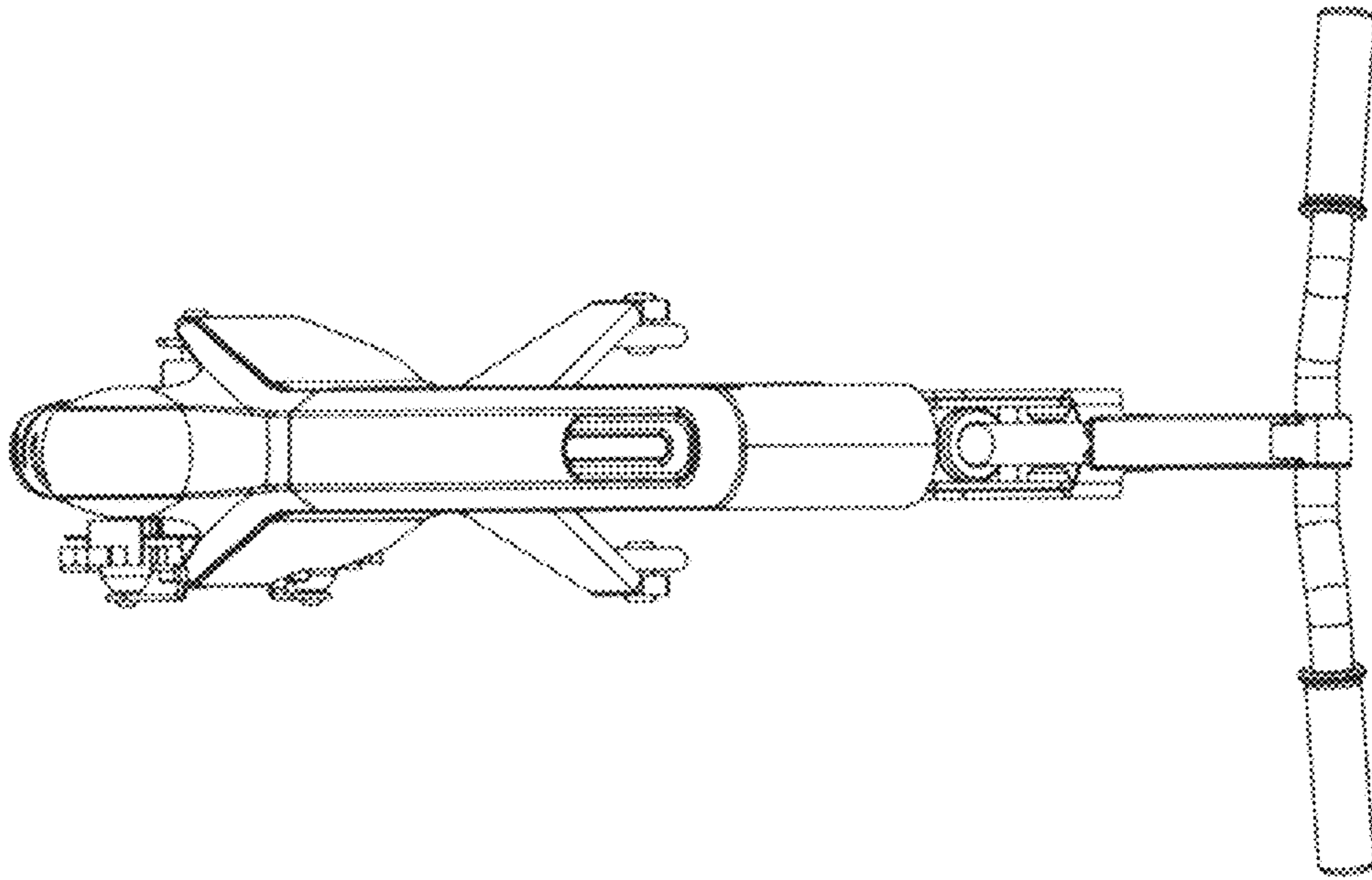
1.5 : ¾ front

In the drawings, the broken lines depict environmental subject matter only and form no part of the claimed design.

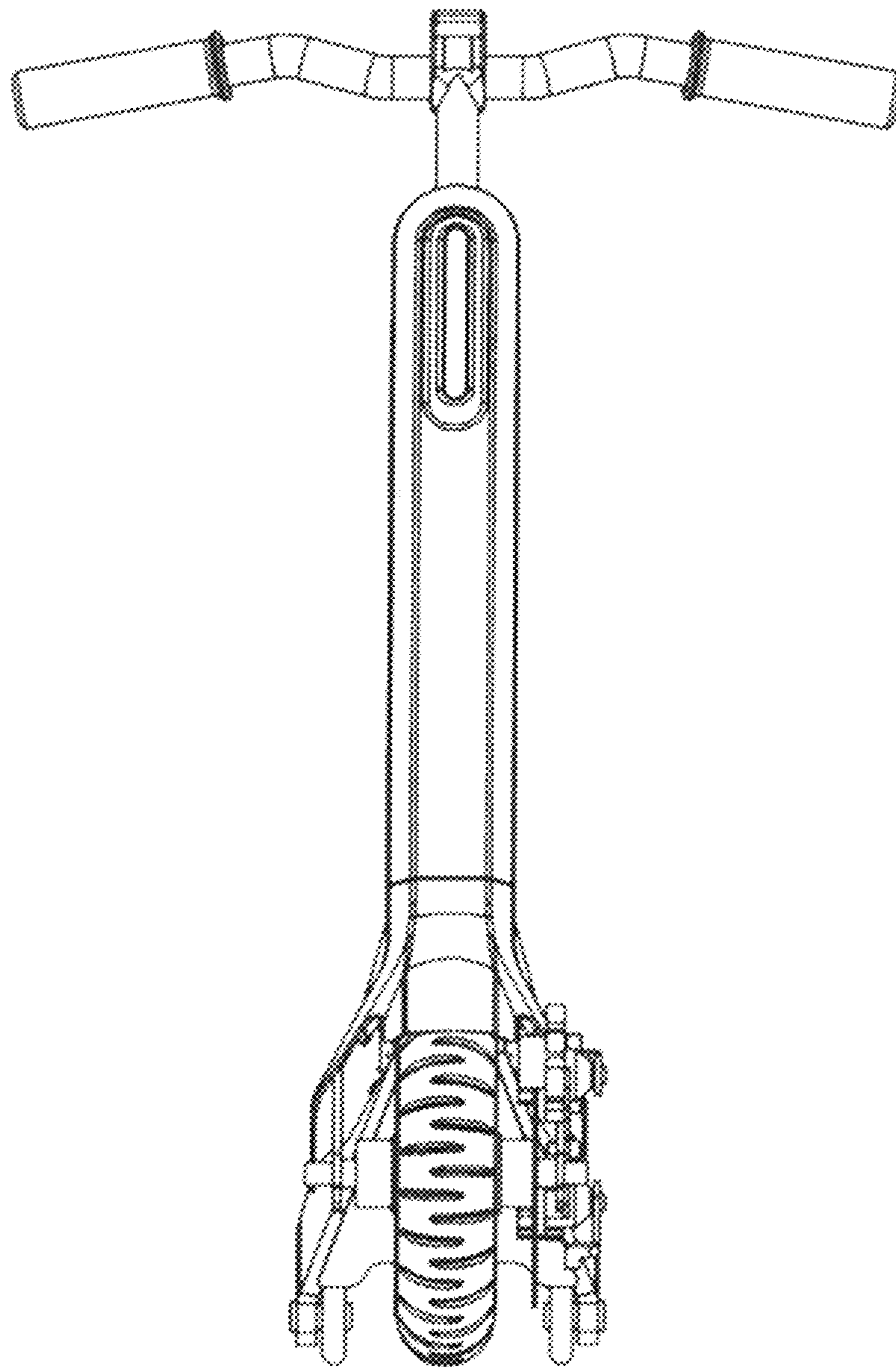
**1 Claim, 5 Drawing Sheets**



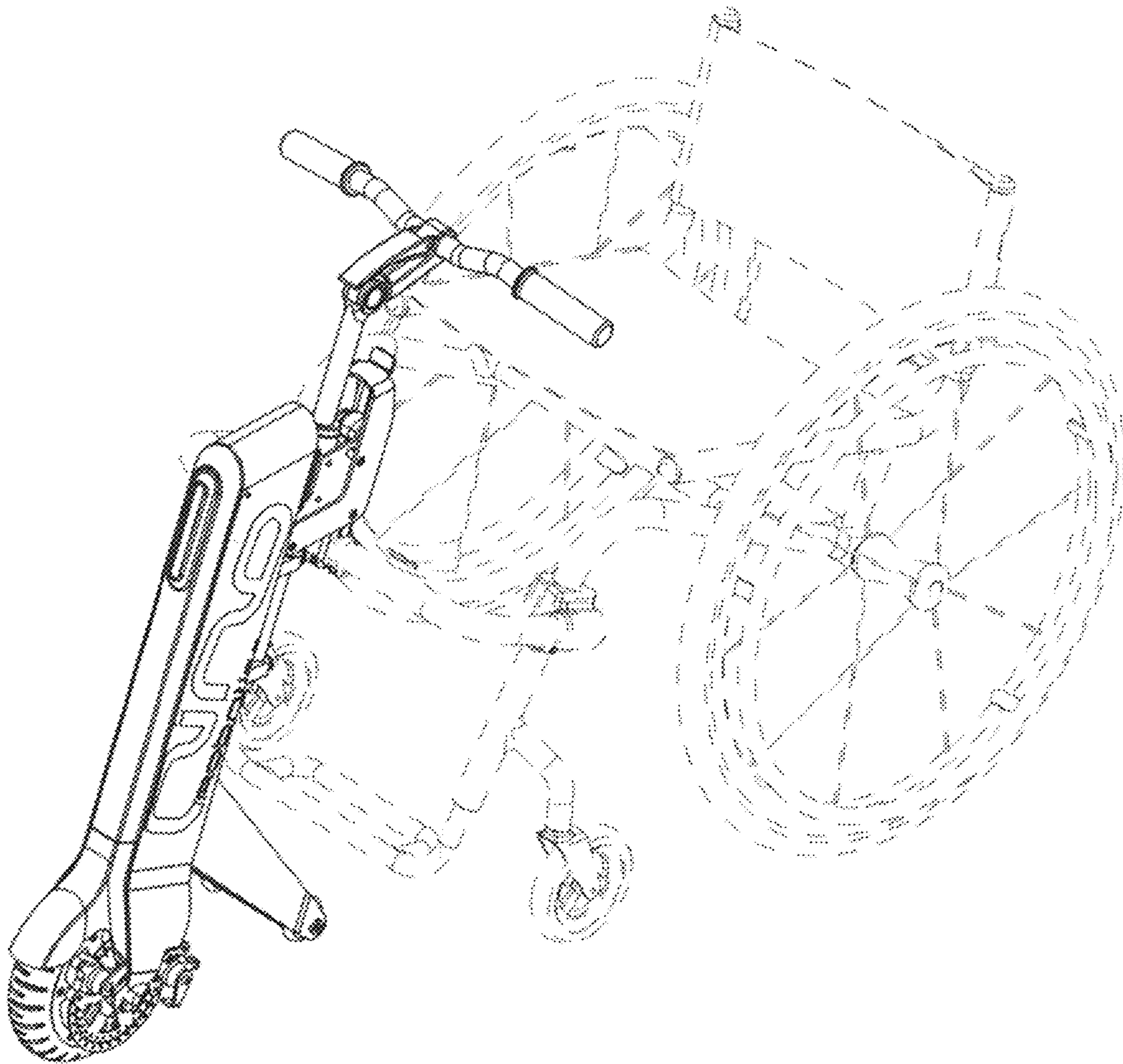
1.1



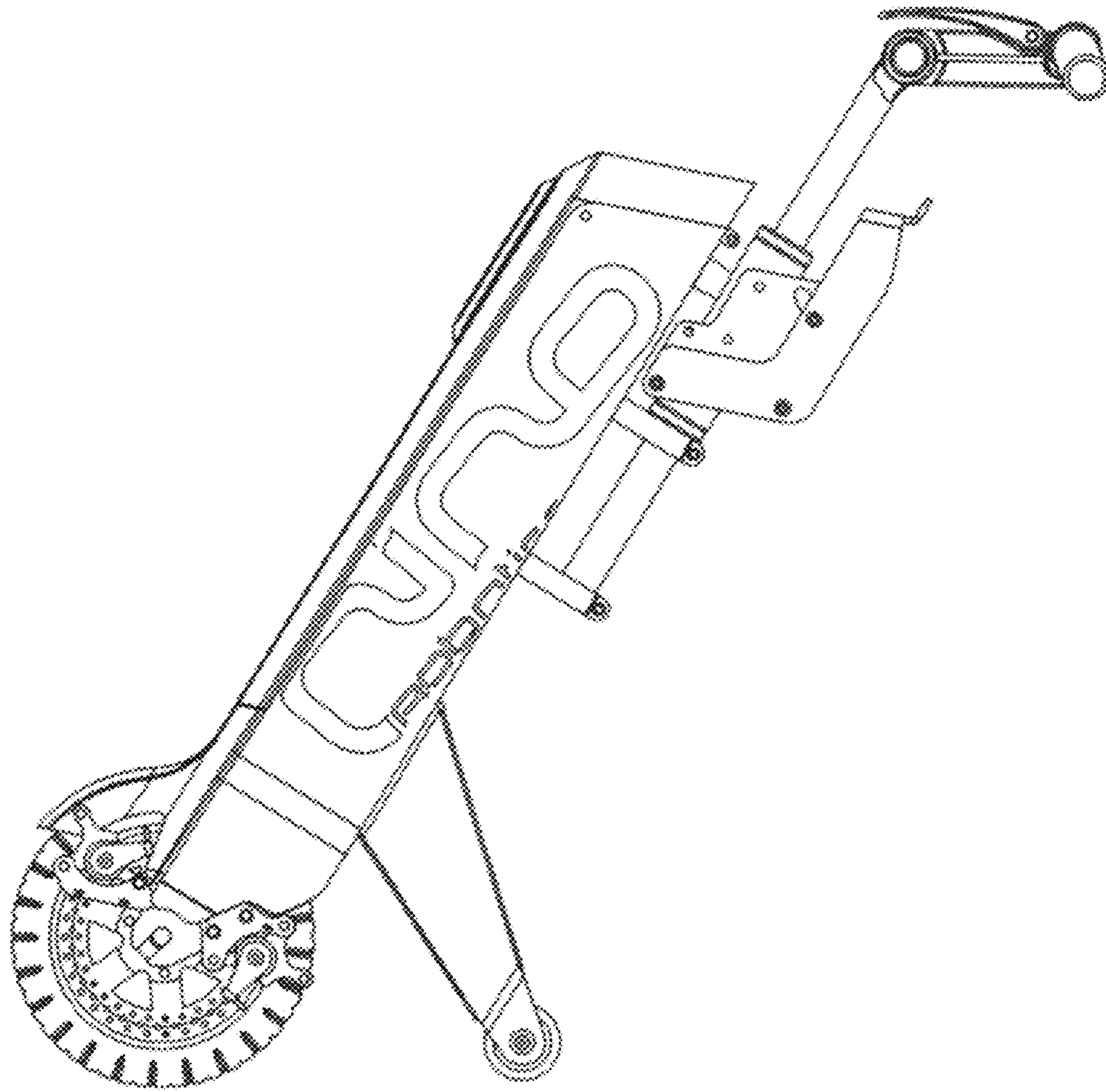
1.2



1.3



1.4



1.5

