



US00D821927S

(12) **United States Design Patent**
Wills et al.

(10) **Patent No.:** **US D821,927 S**
(45) **Date of Patent:** **** Jul. 3, 2018**

(54) **SHOWER CHAIR**

(57) **CLAIM**

(71) Applicant: **NOTTINGHAM REHAB LIMITED,**
Leicestershire (GB)

The ornamental design for a “shower chair,” as shown and described.

DESCRIPTION

(72) Inventors: **Miles Wills,** Nottinghamshire (GB);
Guy Cooper, Derbyshire (GB);
Stephen Carnelly, Leicestershire (GB);
Susan Bevan, Leicestershire (GB)

FIG. 1 is a right front top perspective view of the “shower chair” design according to our invention;
FIG. 2 is a rear left perspective view of the “shower chair” shown in FIG. 1;
FIG. 3 is a front elevational view of the “shower chair” shown in FIG. 1;
FIG. 4 is a rear elevational view of the “shower chair” shown in FIG. 1;
FIG. 5 is a left elevational view of the “shower chair” shown in FIG. 1;
FIG. 6 is a top elevational view of the “shower chair” design shown in FIG. 1;
FIG. 7 is a bottom elevational view of the “shower chair” design shown in FIG. 1;
FIG. 8 is a right front top perspective view of the “shower chair” design attached to a stand drawn in phantom lines according to our invention;
FIG. 9 is a right front top perspective view of the “shower chair” design according to our invention;
FIG. 10 is a rear left perspective view of a second embodiment of the “shower chair” shown in FIG. 9;
FIG. 11 is a front elevational view of the second embodiment of the “shower chair” shown in FIG. 9;
FIG. 12 is a rear elevational view of the second embodiment of the “shower chair” shown in FIG. 9;
FIG. 13 is a left elevational view of the second embodiment of the “shower chair” shown in FIG. 9;
FIG. 14 is a top elevational view of the second embodiment of the “shower chair” design shown in FIG. 9;
FIG. 15 is a bottom elevational view of the second embodiment of the “shower chair” design shown in FIG. 9; and,
FIG. 16 is a right front top perspective view of the second embodiment of the “shower chair” design attached to a stand drawn in phantom lines according to our invention.
Portions of the shower chair are shown in phantom lines and form no part of the design.

(73) Assignee: **NOTTINGHAM REHAB LIMITED,**
Leicestershire (GB)

(**) Term: **15 Years**

(21) Appl. No.: **29/604,054**

(22) Filed: **May 15, 2017**

(51) **LOC (11) Cl.** **12-12**

(52) **U.S. Cl.**
USPC **D12/133**

(58) **Field of Classification Search**
USPC **D12/129–133**

(Continued)

(56) **References Cited**

U.S. PATENT DOCUMENTS

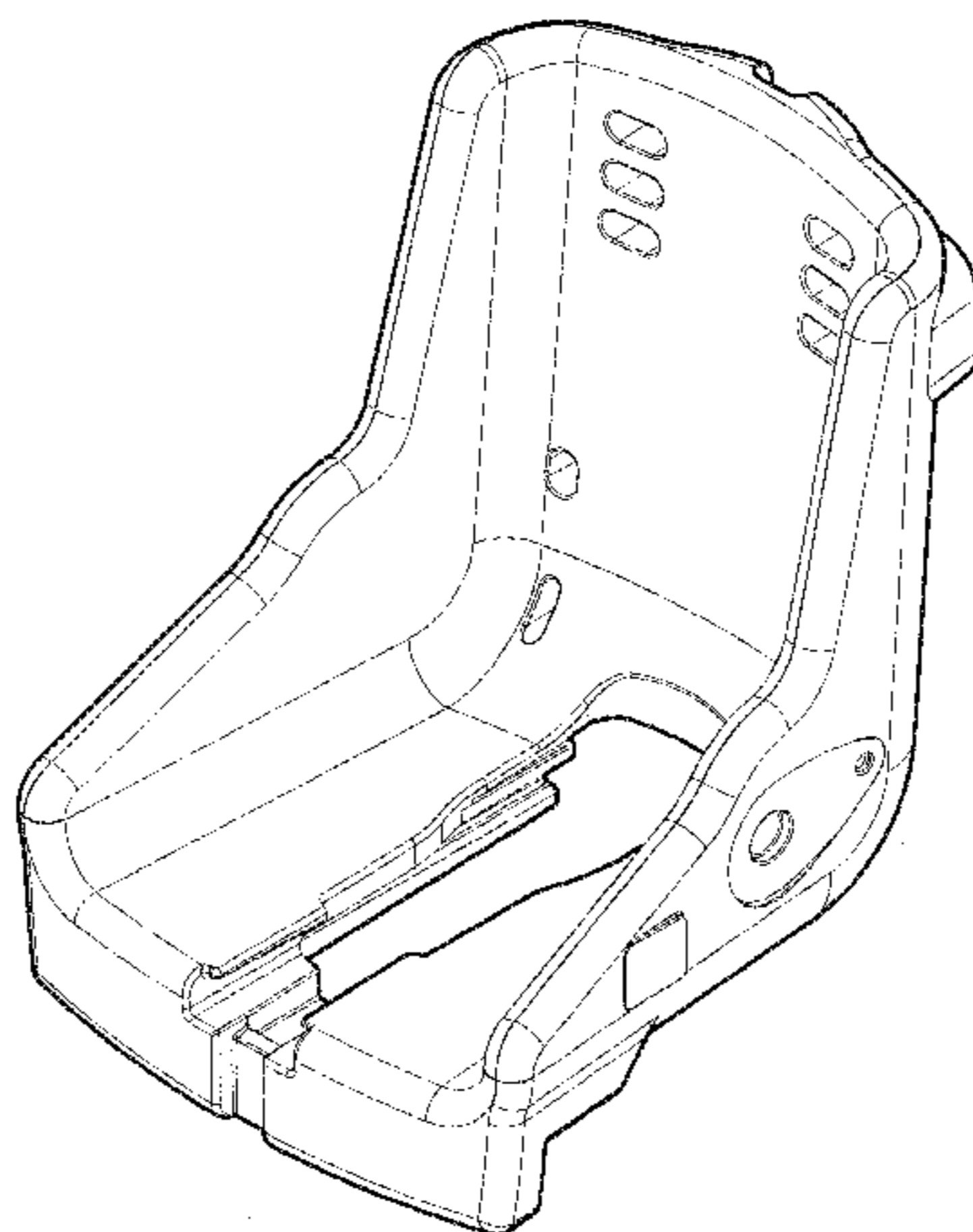
4,150,445 A * 4/1979 Bailey A47K 3/122
4/546
5,740,563 A * 4/1998 Gaddy A47K 3/122
297/344.21

(Continued)

Primary Examiner — Charles D Hanson

(74) *Attorney, Agent, or Firm* — DeLio, Peterson &
Curcio, LLC; Thomas E. Ciesco

1 Claim, 16 Drawing Sheets



(58) **Field of Classification Search**

CPC ... A61G 5/00–5/14; A47K 3/02; A47K 3/022;
A47K 3/12

See application file for complete search history.

(56) **References Cited**

U.S. PATENT DOCUMENTS

6,681,415	B1 *	1/2004	Gallo	A47K 3/122 297/423.3
9,168,193	B1 *	10/2015	Simi	A61G 7/1005
D800,877	S *	10/2017	Uche	D23/299
2007/0101487	A1 *	5/2007	Major	A47K 11/04 4/480
2010/0031433	A1 *	2/2010	Storm	A61G 5/1002 4/444
2010/0043134	A1 *	2/2010	Burkholder	A47K 3/022 4/560.1
2010/0148542	A1 *	6/2010	Zidulka	A61G 5/1059 297/174 R
2011/0258771	A1 *	10/2011	Hammer	A61G 5/1002 4/667
2012/0030867	A1 *	2/2012	Wang	A61H 3/04 4/237
2014/0250587	A1 *	9/2014	Alsaffar	A47K 7/046 4/615
2015/0328069	A1 *	11/2015	Staggs	A61G 5/1037 4/604

* cited by examiner

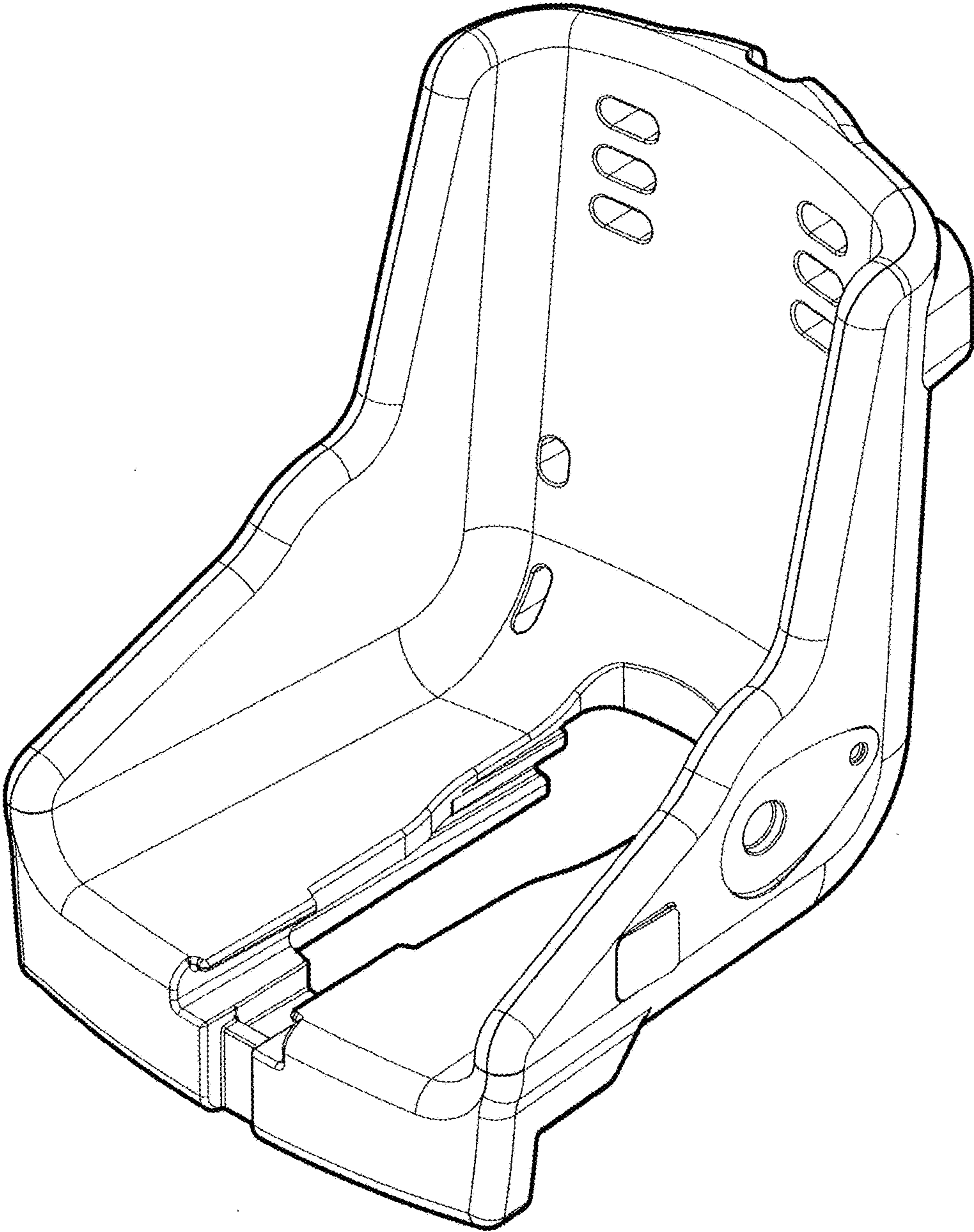


FIG. 1

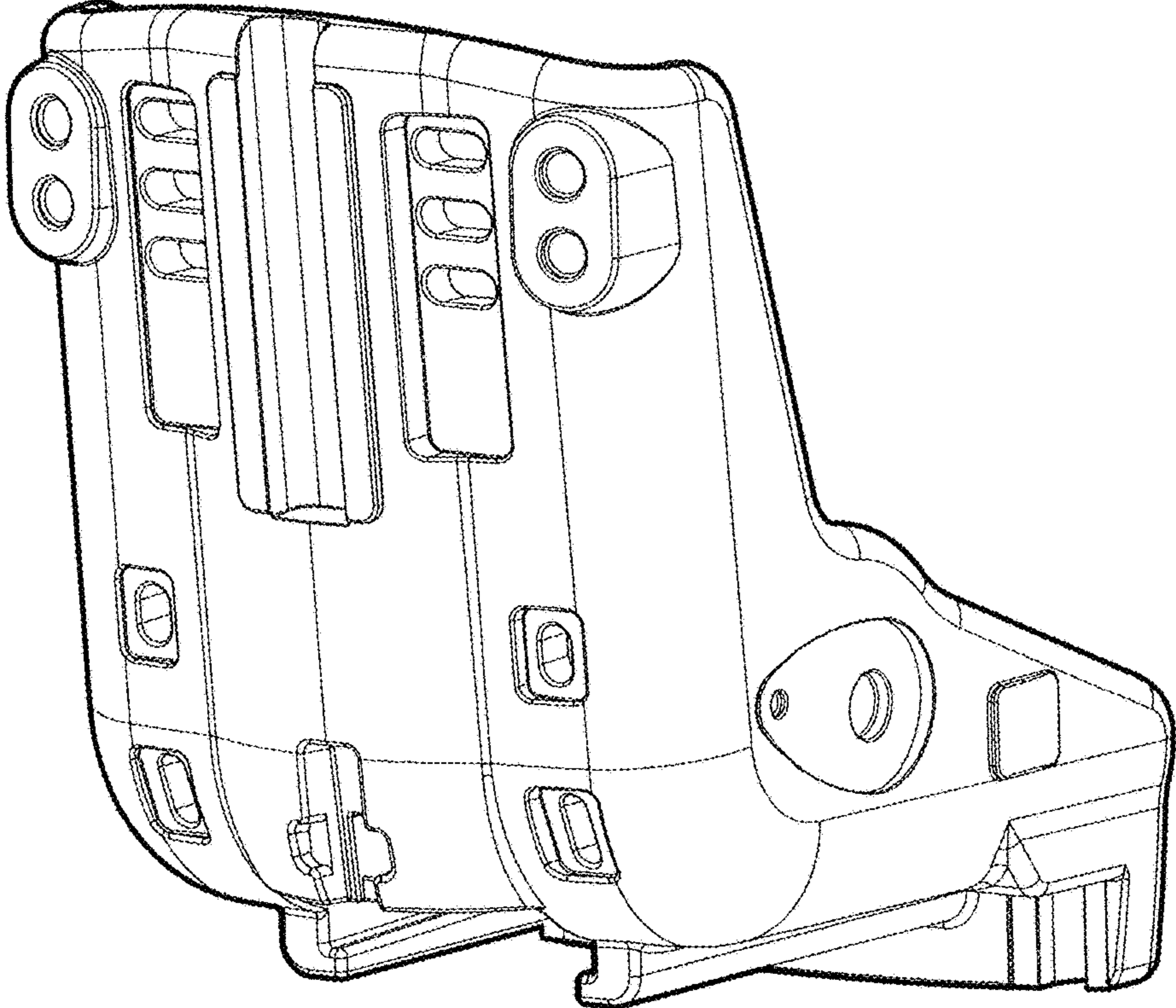


FIG. 2

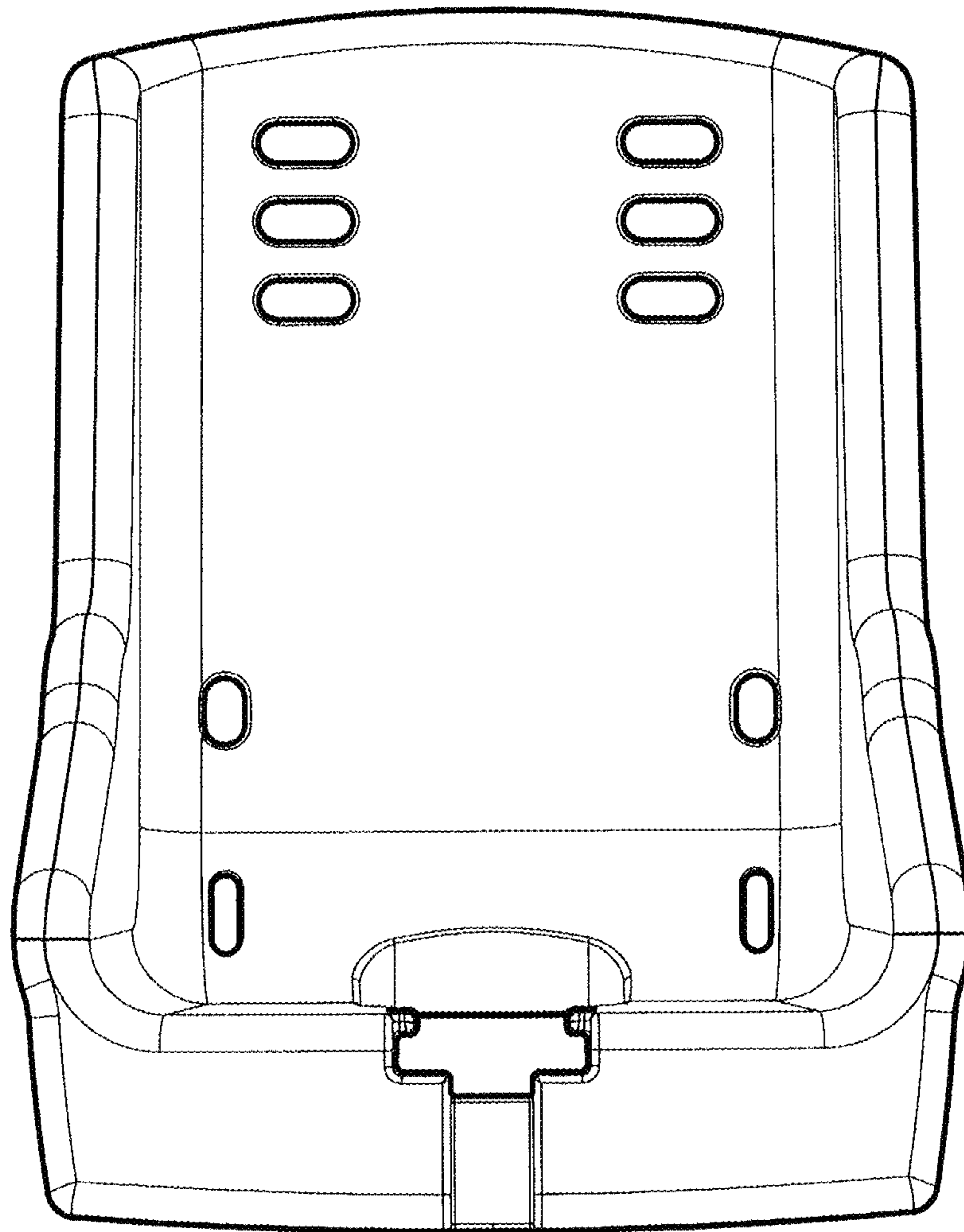


FIG. 3

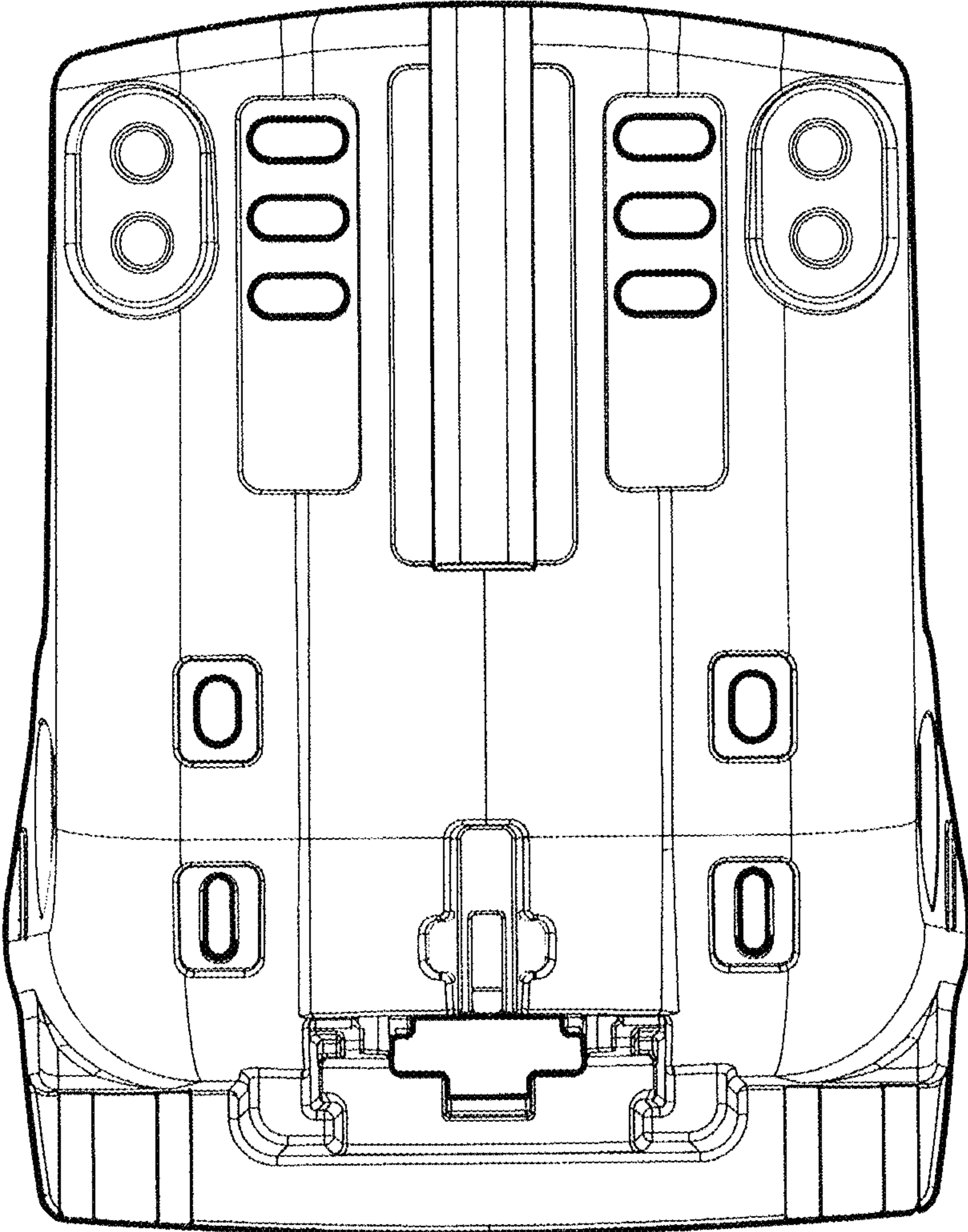


FIG. 4

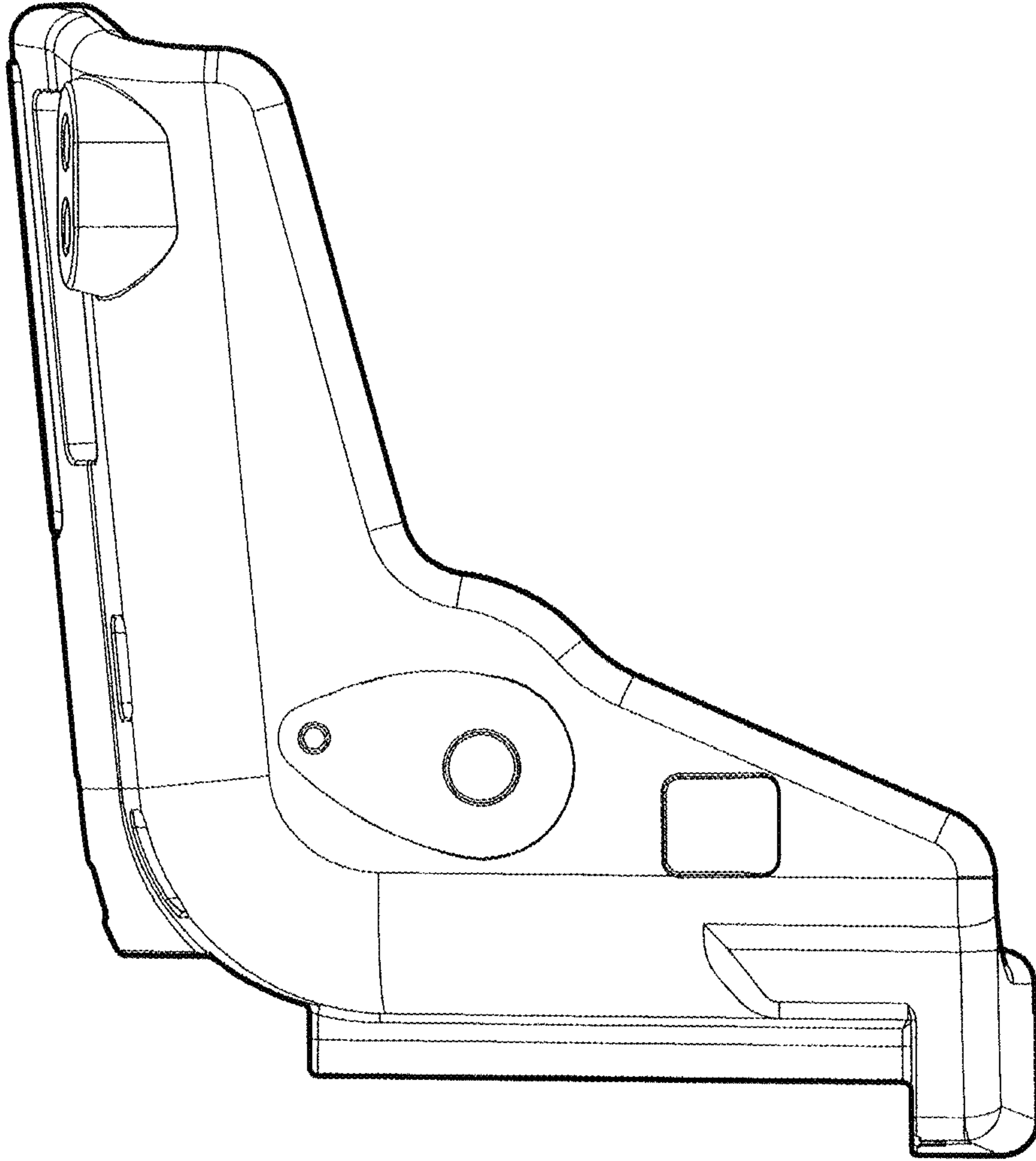


FIG.5

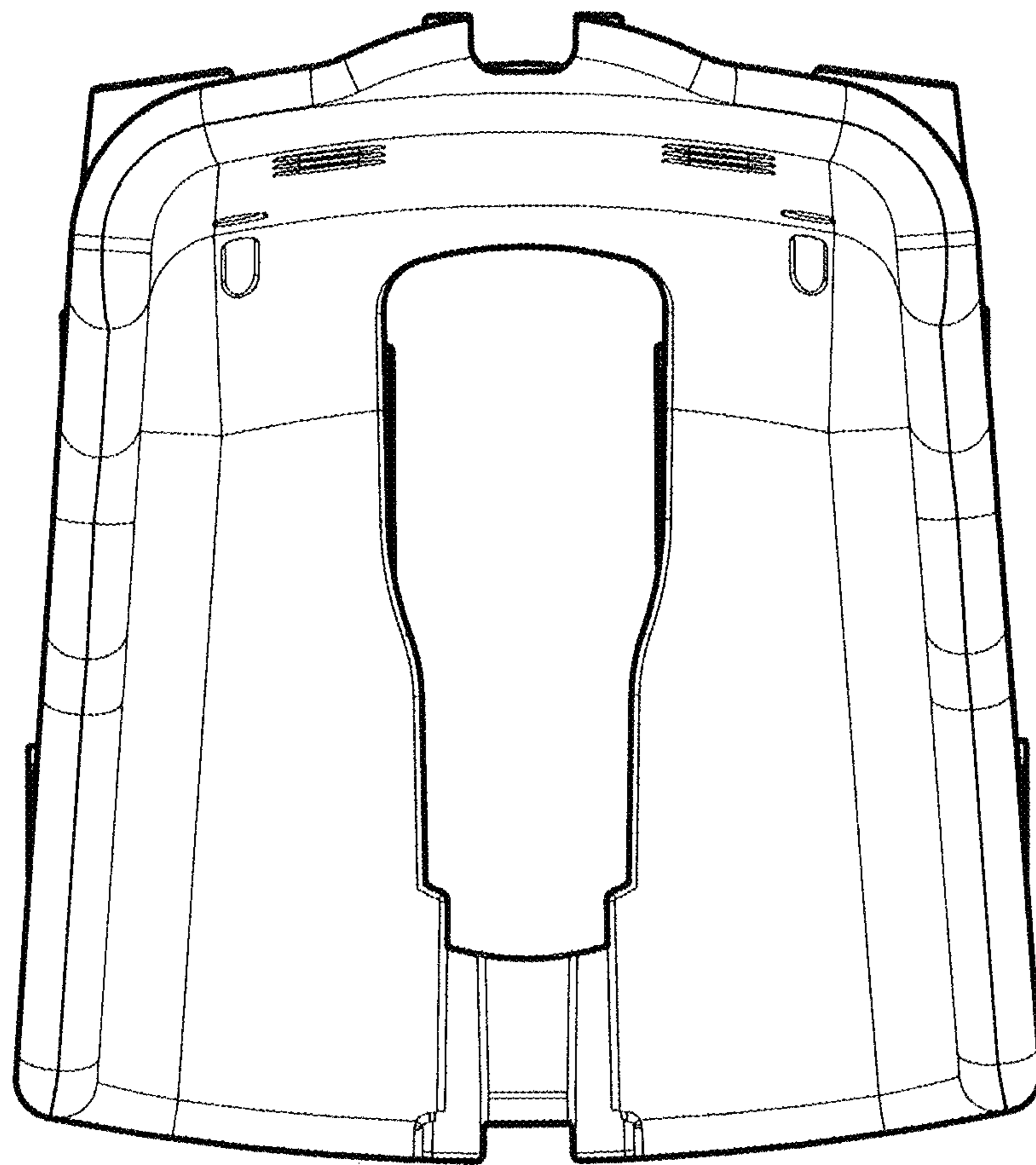


FIG. 6

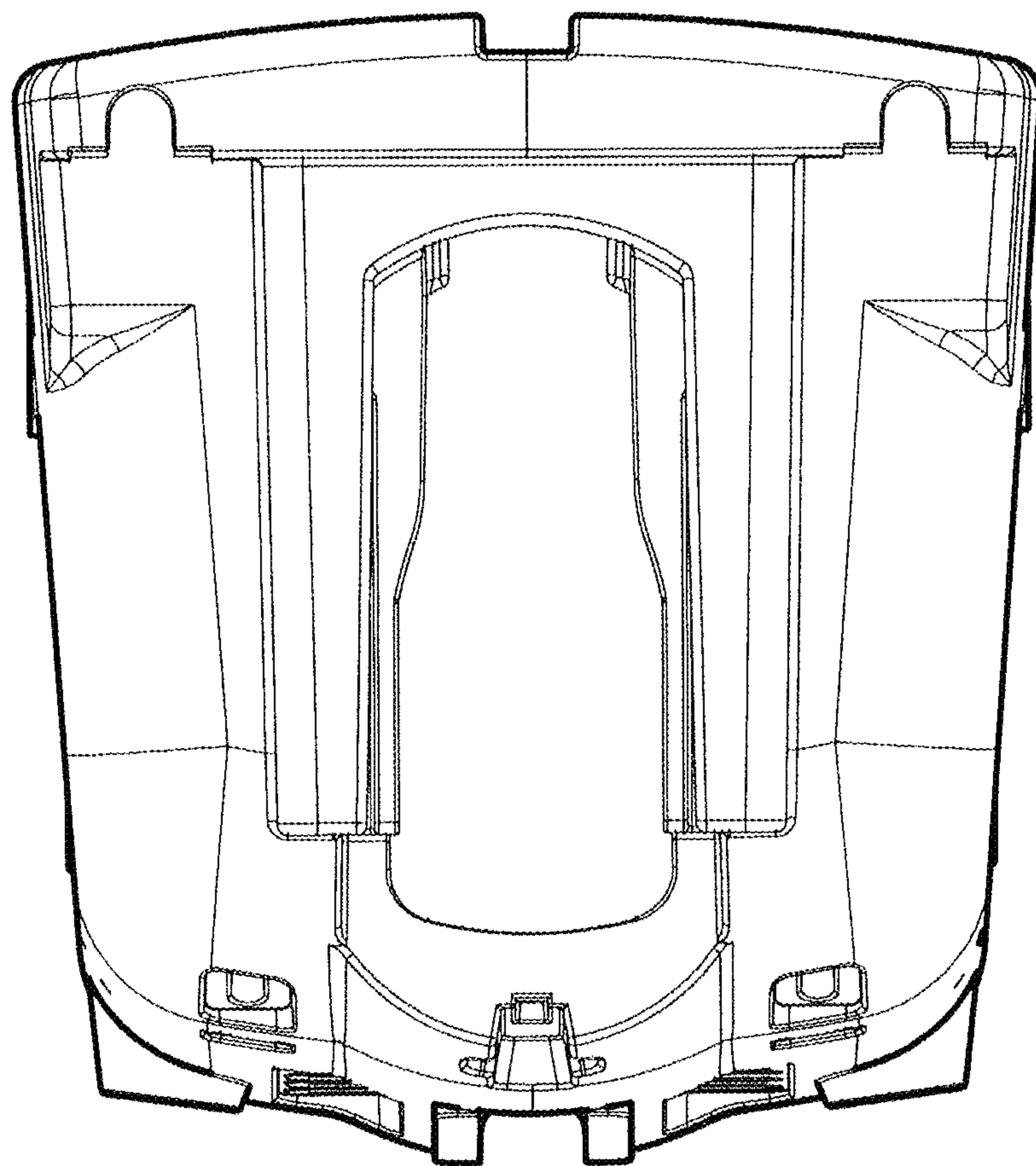


FIG. 7

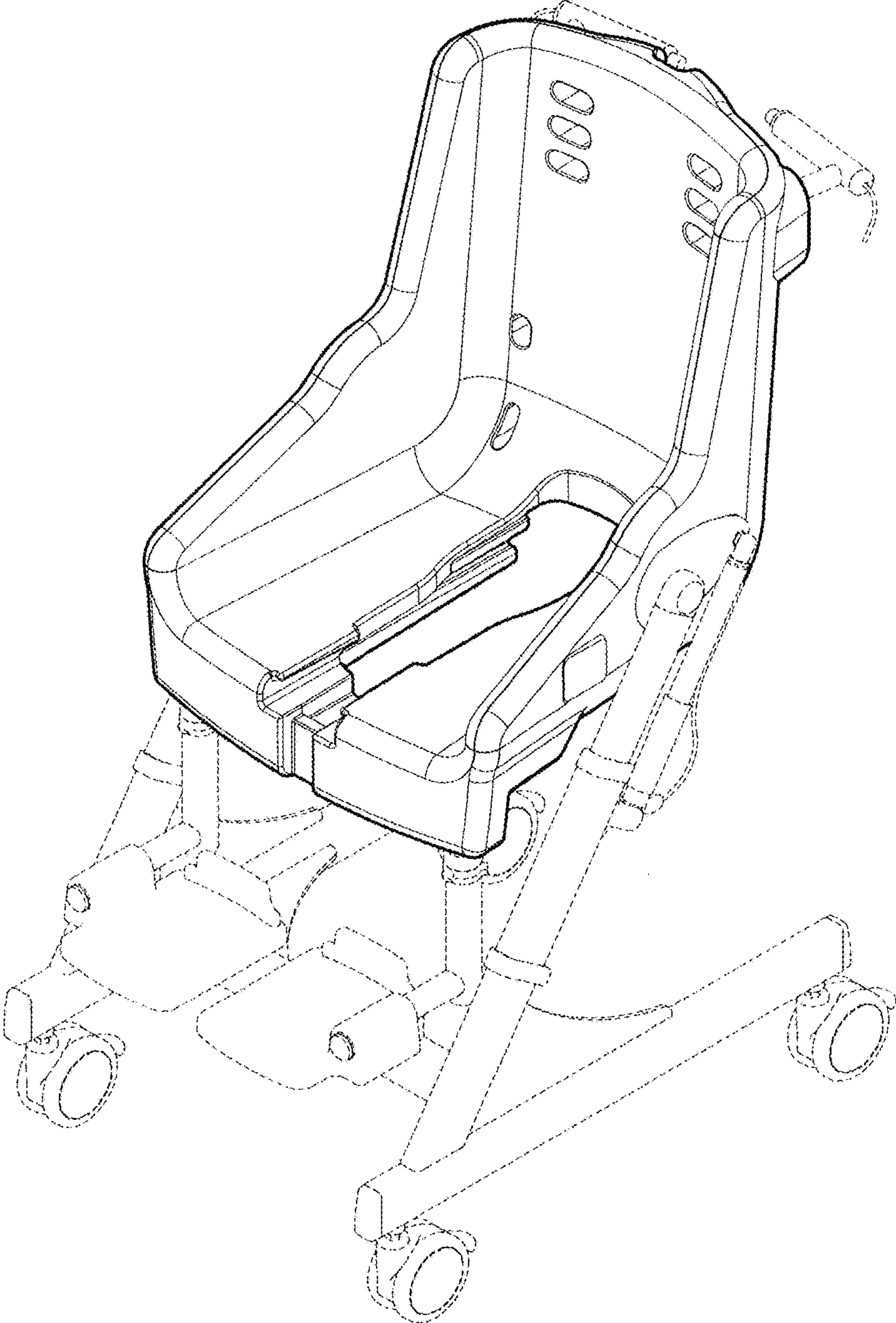


FIG. 8

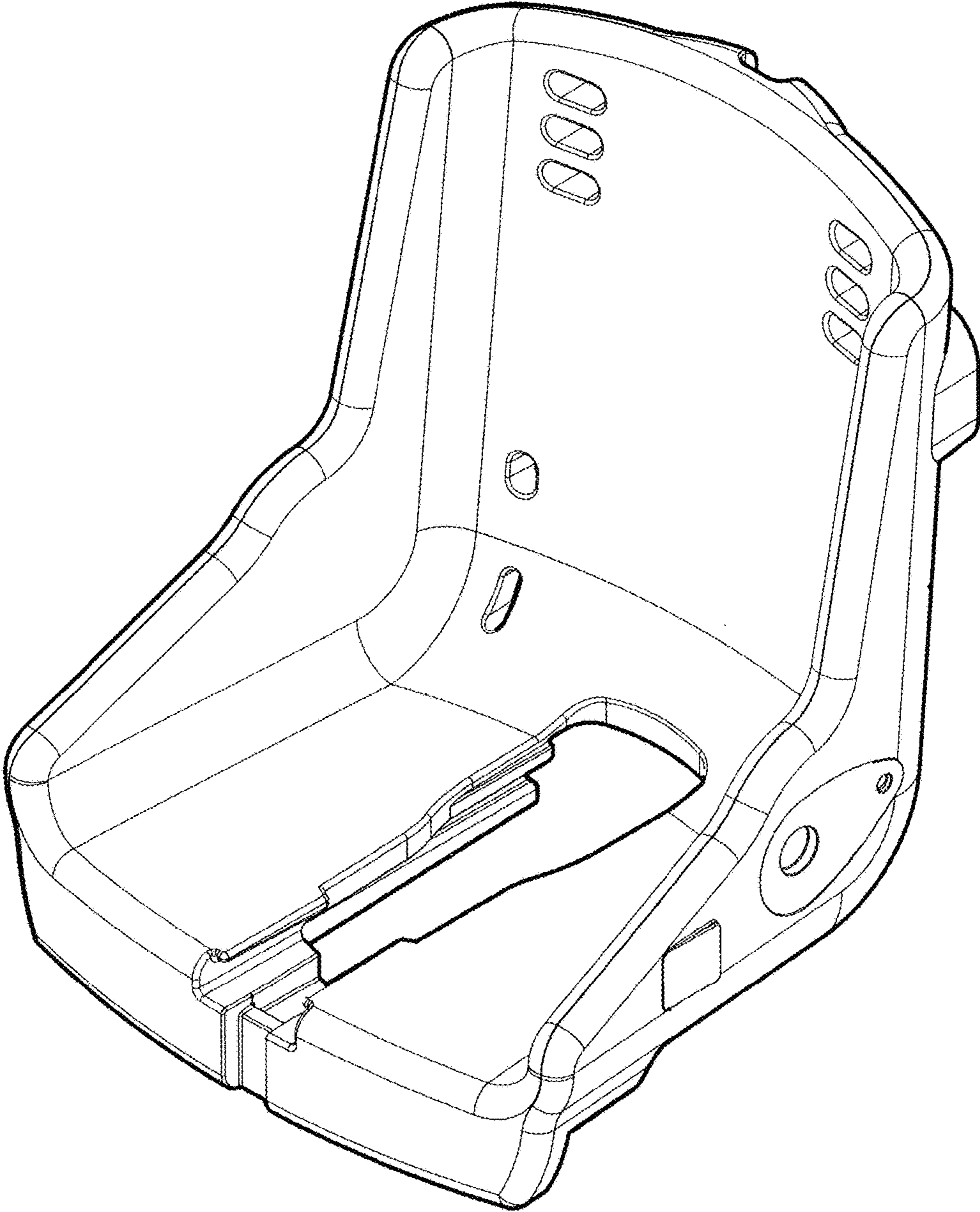


FIG. 9

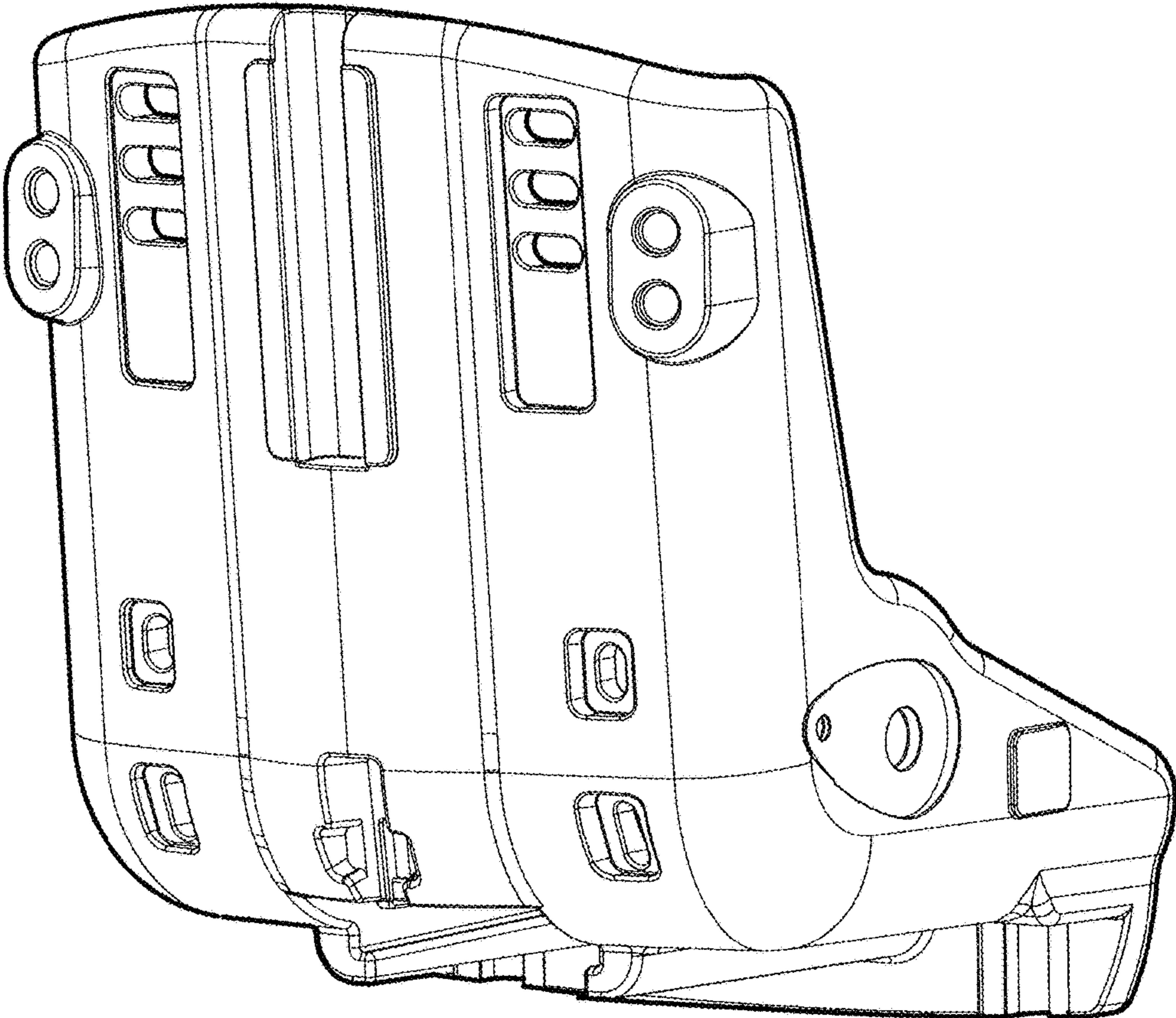


FIG. 10

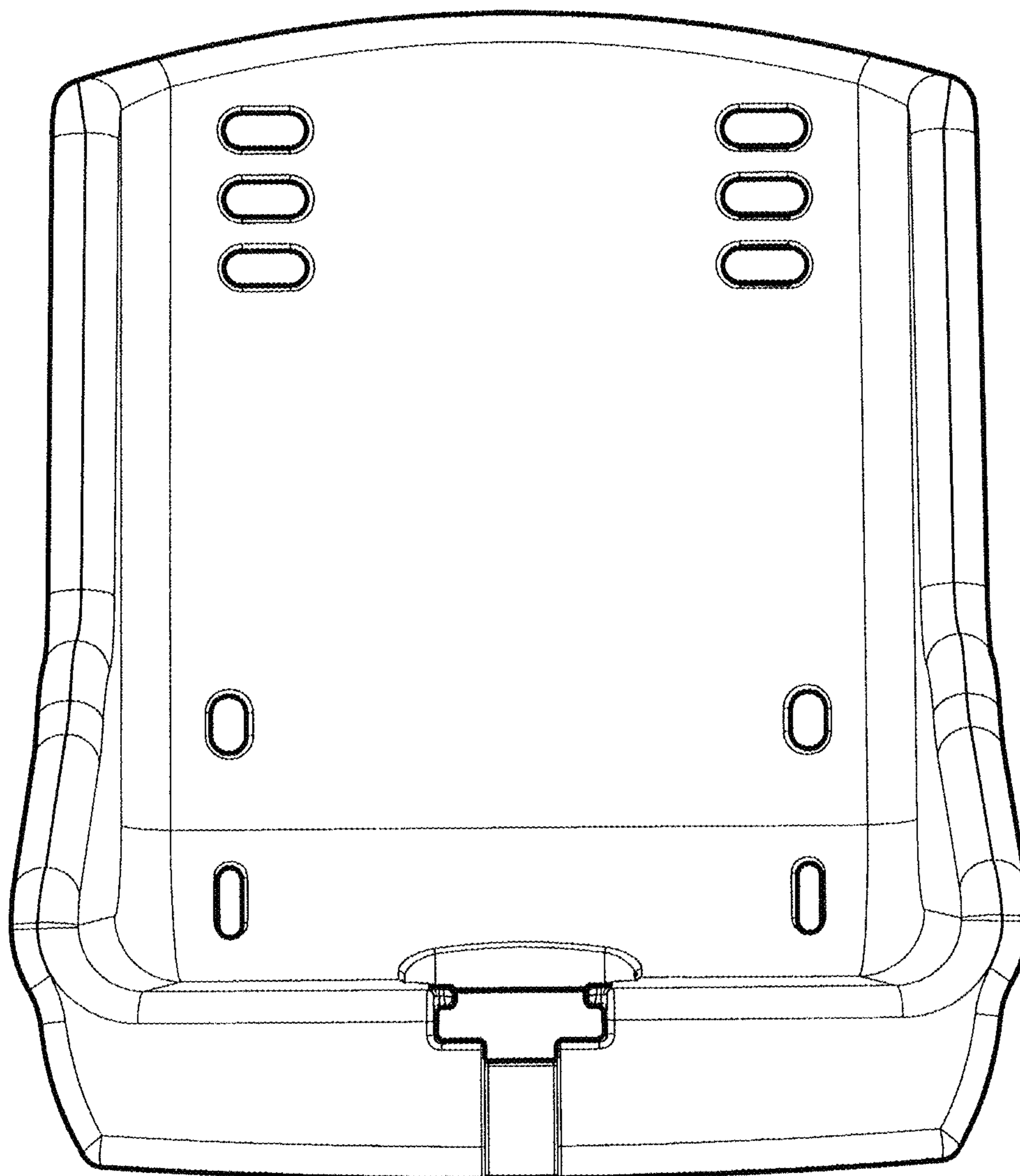


FIG. 11

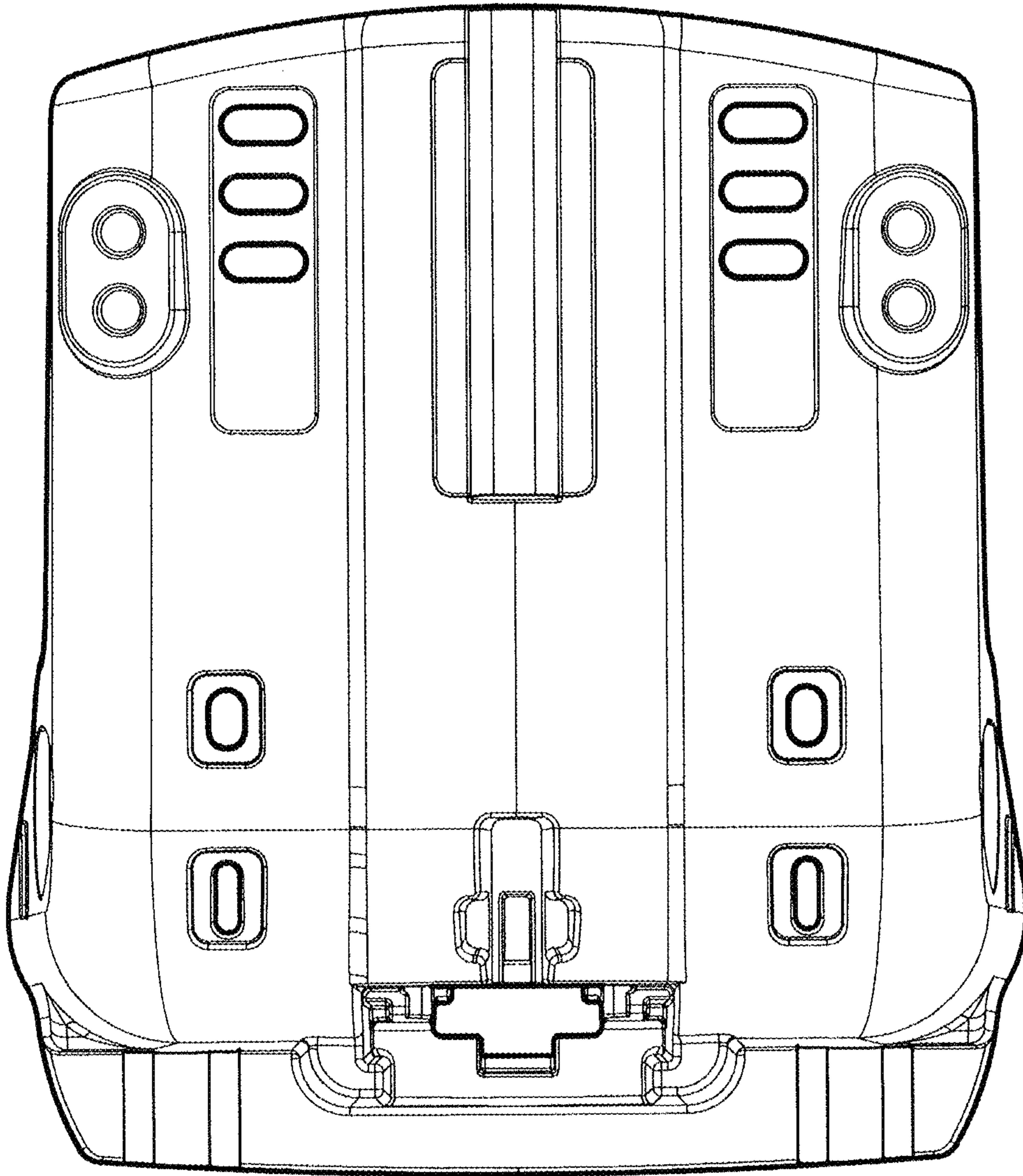


FIG. 12

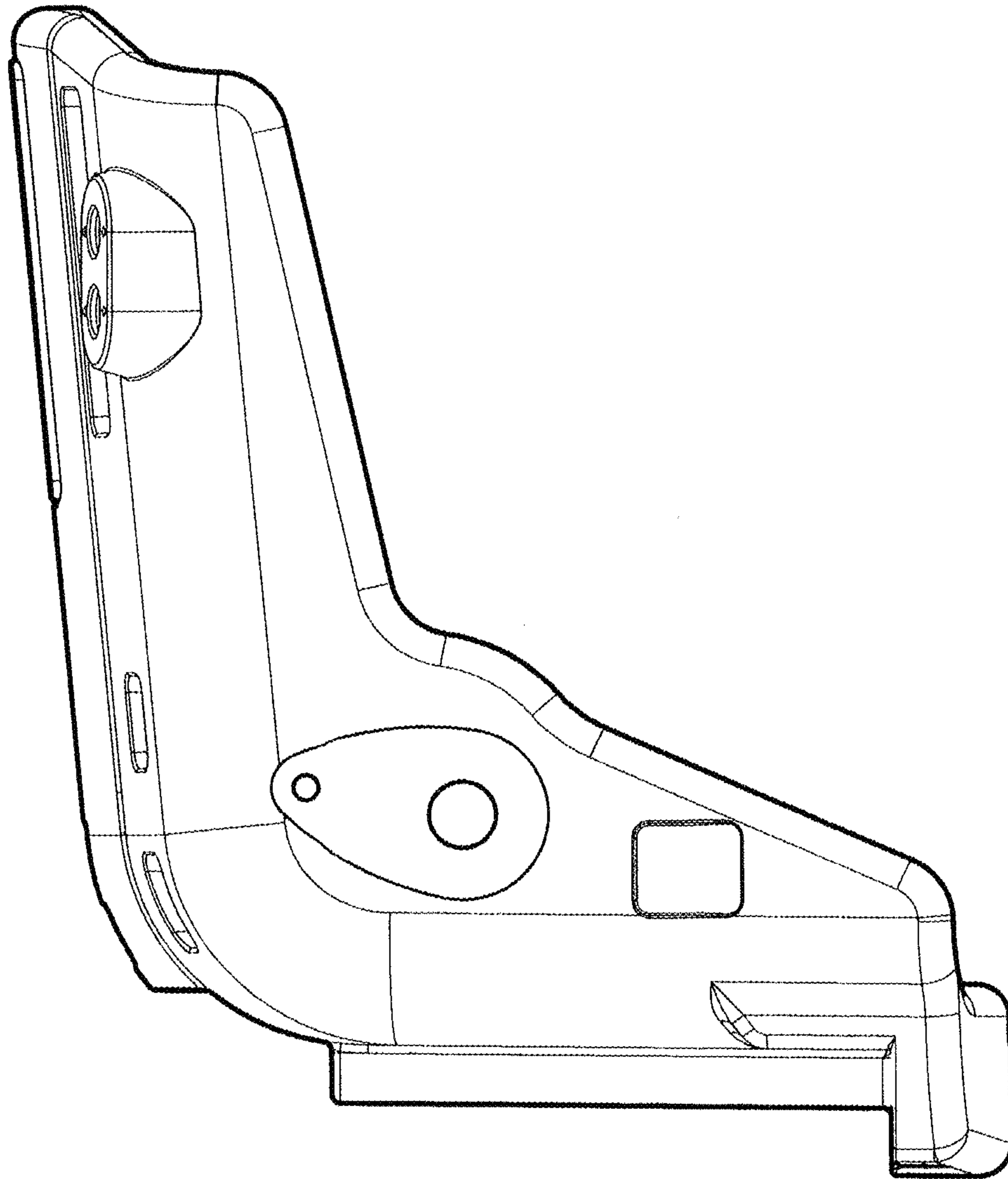


FIG. 13

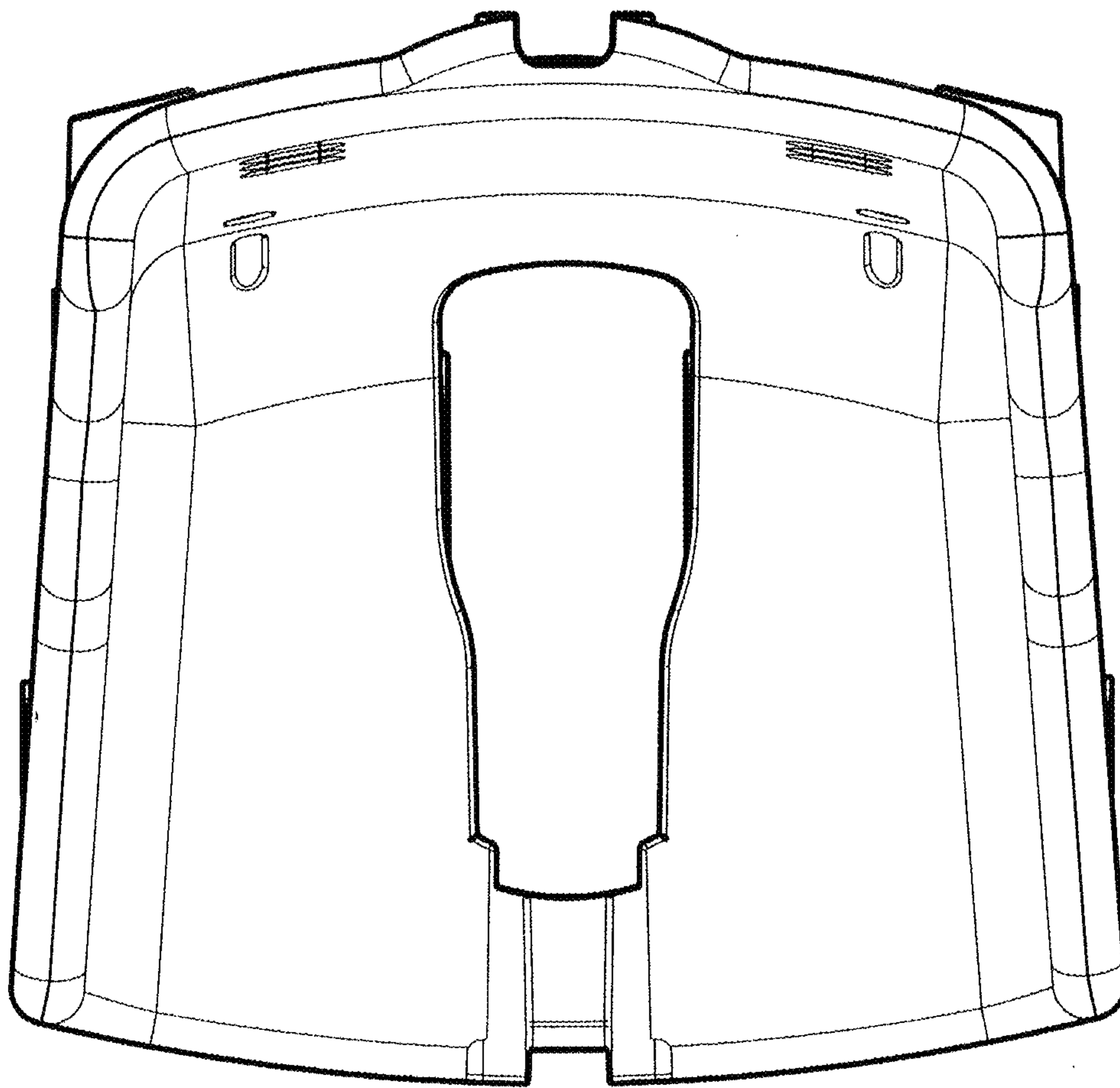


FIG. 14

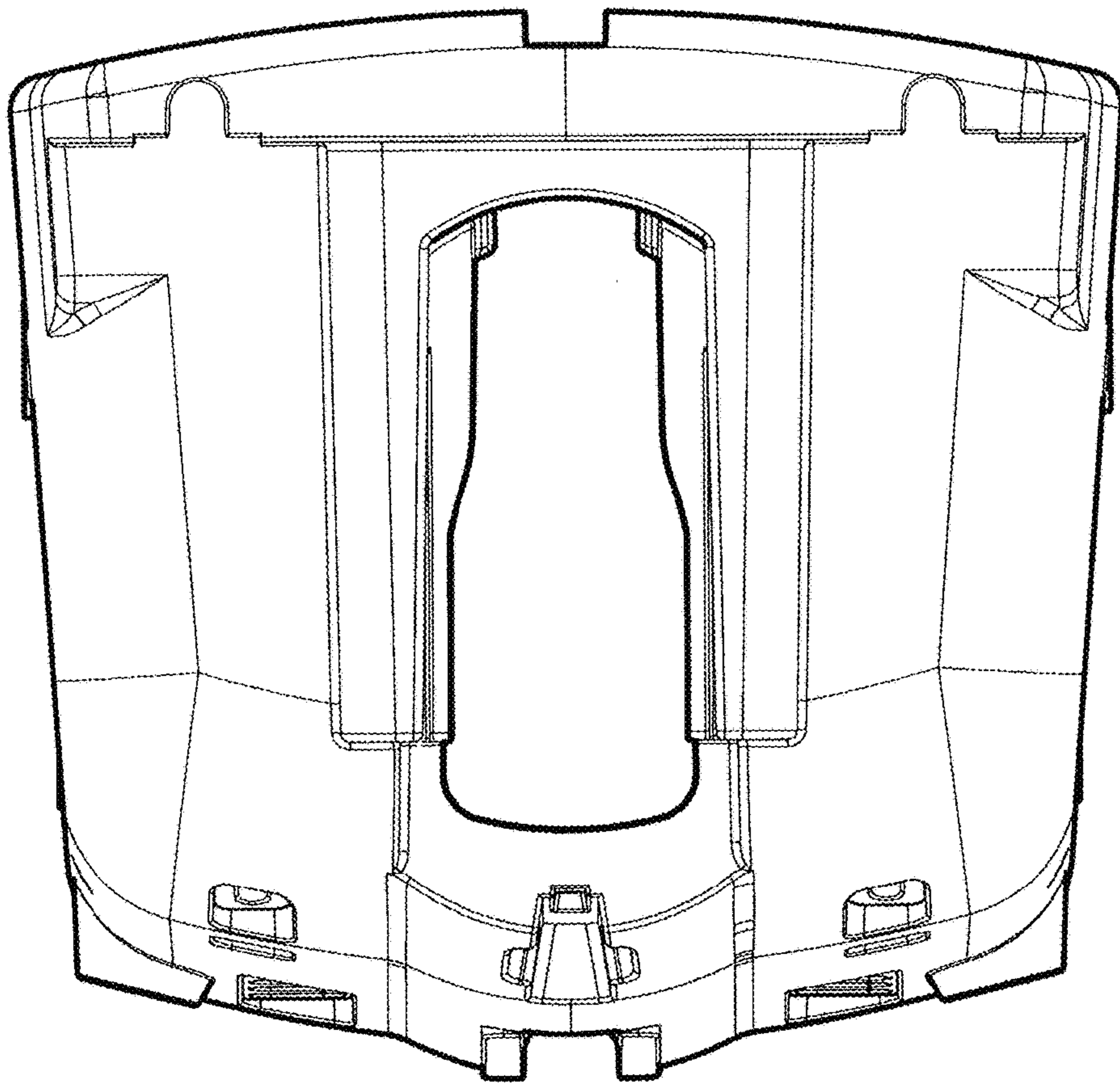


FIG. 15

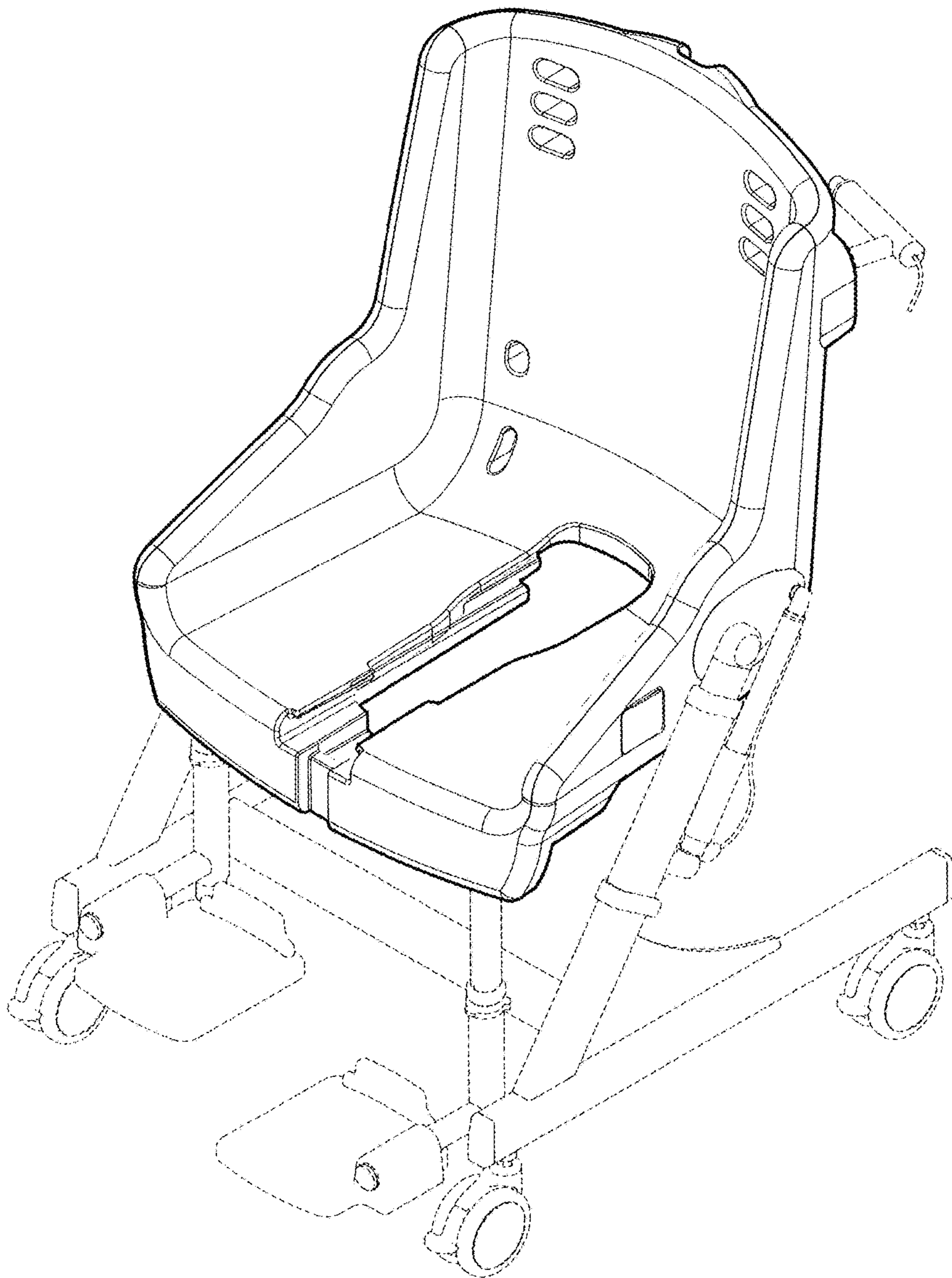


FIG. 16