



US00D821926S

(12) **United States Design Patent** (10) **Patent No.:** **US D821,926 S**
Archambault et al. (45) **Date of Patent:** **** Jul. 3, 2018**

(54) **WHEELCHAIR CASTER** D584,209 S * 1/2009 Klimas D12/209
D623,096 S * 9/2010 Gower D12/129
(71) Applicant: **MOTION COMPOSITES INC.,** D634,124 S * 3/2011 Fair D3/318
Saint-Roch-de-l'Achigan (CA) D667,349 S 9/2012 Jurkiewicz et al.
D667,761 S 9/2012 Jurkiewicz et al.
(72) Inventors: **Michael Archambault,** Saint-Alexis D699,633 S * 2/2014 Kobayashi D12/129
(CA); **Pierre-Andre Couture,** Montreal D721,015 S * 1/2015 Bassan D12/129
(CA) 8,931,583 B2 * 1/2015 Tuckowski A61G 5/043
180/65.1
(73) Assignee: **MOTION COMPOSITES INC.,** D739,794 S 9/2015 Jushkovich et al.
Saint-Roch-de-l'Achigan (CA) D739,795 S 9/2015 Jushkovich et al.
D757,892 S * 5/2016 Walker D23/213
D766,141 S * 9/2016 Kim D12/133
D779,389 S * 2/2017 Archambault D12/133
D785,511 S * 5/2017 Barenbrug D12/133

(**) Term: **15 Years**

(21) Appl. No.: **29/590,253**

(22) Filed: **Jan. 9, 2017**

Related U.S. Application Data

(62) Division of application No. 29/502,534, filed on Sep. 17, 2014, now Pat. No. Des. 779,389.
(51) **LOC (11) Cl.** **12-12**
(52) **U.S. Cl.**
USPC **D12/133**
(58) **Field of Classification Search**
USPC D12/128-133
CPC B62B 7/00-7/04; B62B 9/00-9/28
See application file for complete search history.

(56) **References Cited**

U.S. PATENT DOCUMENTS

D414,453 S 9/1999 Tsai
D477,261 S 7/2003 Lin
D486,762 S 2/2004 He
D524,196 S 7/2006 You
D568,726 S 5/2008 Kohagen
D583,300 S 12/2008 Rancati

* cited by examiner

Primary Examiner — Charles D Hanson
(74) *Attorney, Agent, or Firm* — Norton Rose Fulbright
Canada LLP

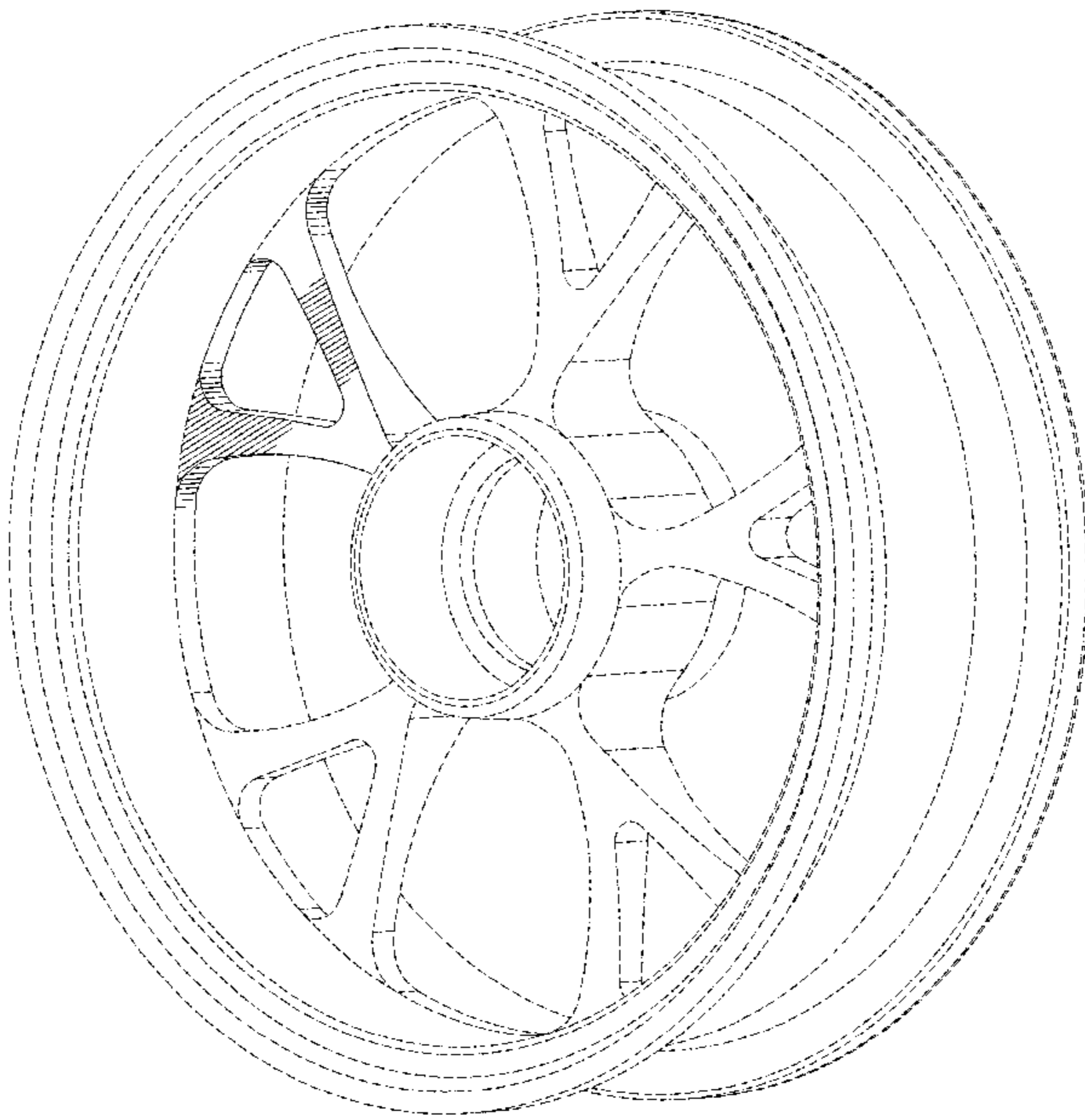
(57) **CLAIM**

We claim the design for wheelchair caster, as shown and described.

DESCRIPTION

FIG. 1 is a perspective view of a wheelchair caster in accordance with a second variant of the present application; FIG. 2 is a side elevation view of the wheelchair caster of FIG. 1, the right-side, left-side elevation views being mirror images thereof; and, FIG. 3 is a front elevation view of the wheelchair caster of FIG. 1, the rear elevation view, top-plan view and bottom-plan view being mirror images thereof. The broken line portions are included to show environmental unclaimed subject matter only and form no part of the claimed design.

1 Claim, 3 Drawing Sheets



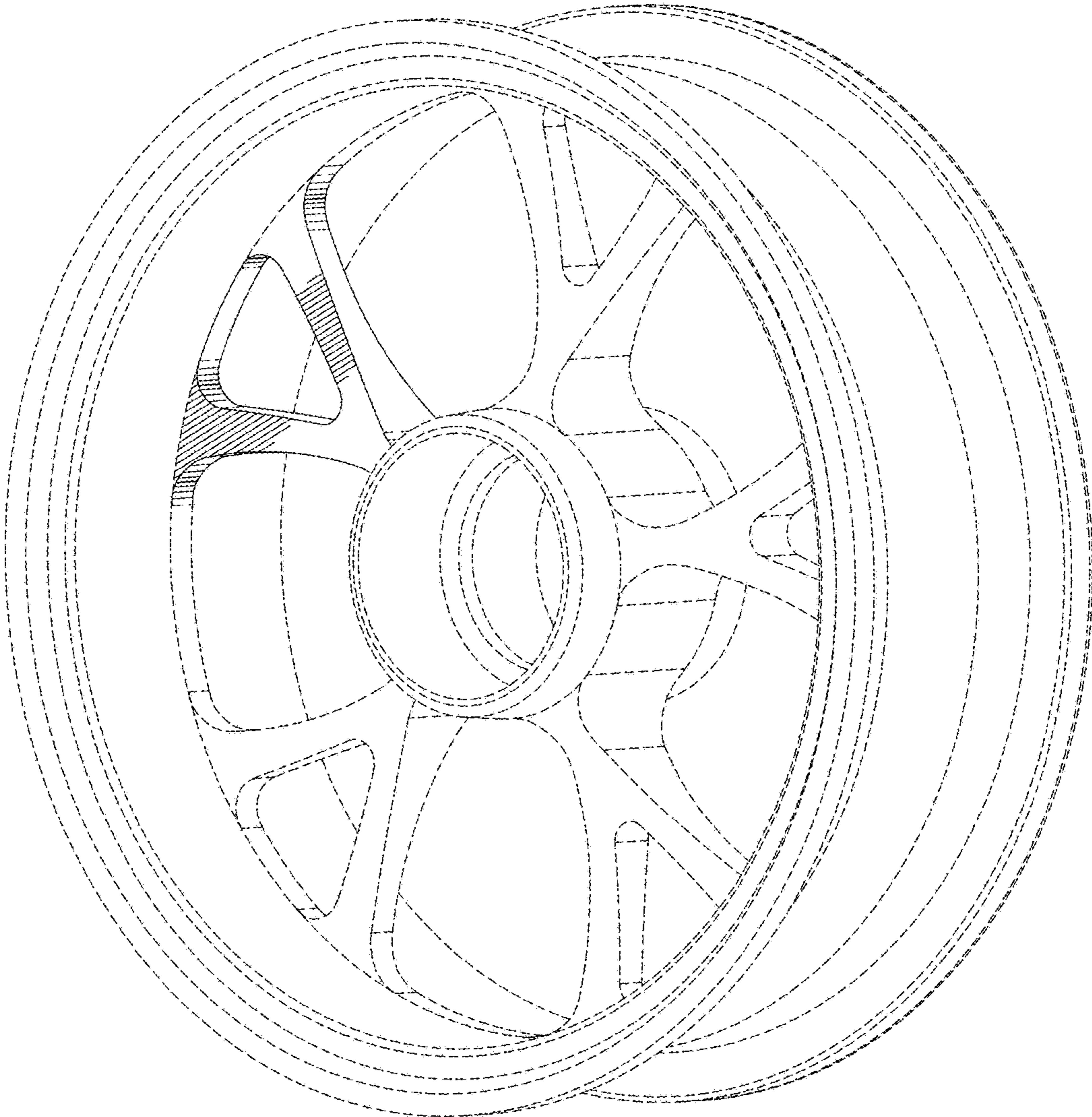


FIG. 1

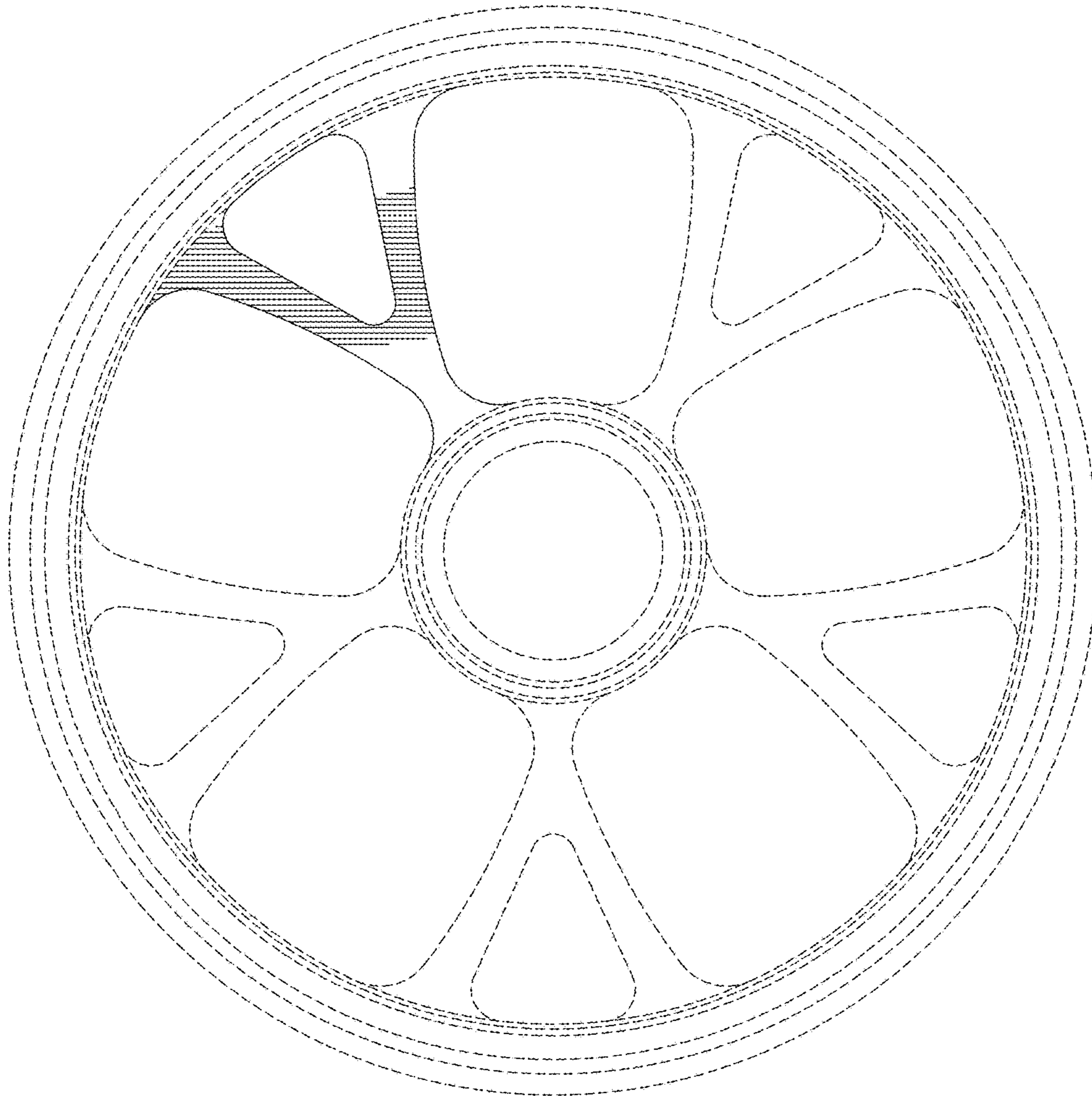


FIG. 2

