



US00D821920S

(12) **United States Design Patent** (10) **Patent No.:** **US D821,920 S**
Platto et al. (45) **Date of Patent:** **** Jul. 3, 2018**

(54) **MOTOR VEHICLE**

(71) Applicant: **Ford Global Technologies, LLC**,
Dearborn, MI (US)

(72) Inventors: **Gordon M Platto**, Troy, MI (US);
Richard Howard, Brighton, MI (US);
Marc Cammeyer, Berkley, MI (US);
Damon G DePeyster, Northville, MI
(US)

(73) Assignee: **Ford Global Technologies, LLC**,
Dearborn, MI (US)

(**) Term: **15 Years**

(21) Appl. No.: **29/597,498**

(22) Filed: **Mar. 17, 2017**

(51) **LOC (11) Cl.** **12-08**

(52) **U.S. Cl.**
USPC **D12/91**

(58) **Field of Classification Search**
USPC D12/86, 90, 91, 92, 98; D21/424, 433,
D21/434
CPC B62D 25/00; B62D 25/06; B62D 33/00;
B62D 35/00
See application file for complete search history.

(56) **References Cited**
U.S. PATENT DOCUMENTS

D350,504 S *	9/1994	Nixon	D12/91
D374,415 S *	10/1996	Thomson	D12/91
D420,939 S *	2/2000	Faurote	D12/91
D458,189 S *	6/2002	Wyatt	D12/91
D500,460 S *	1/2005	Allen	D12/91
D516,956 S *	3/2006	Bucci	D12/91

D532,717 S *	11/2006	Dolan	D12/91
D542,181 S *	5/2007	Dolan	D12/91
D579,823 S *	11/2008	Choi	D12/91
D584,996 S *	1/2009	Jamieson	D12/91
D716,696 S *	11/2014	Thole	D12/91
D717,696 S *	11/2014	Thole	D12/91
D718,188 S *	11/2014	Wheel	D12/91
D722,533 S *	2/2015	Thole	D12/91
D725,550 S *	3/2015	Wolff	D12/91
D727,210 S *	4/2015	Grake	D12/91
D754,563 S	4/2016	Behmer et al.		
D763,135 S *	8/2016	Baste	D12/91
D774,417 S *	12/2016	Watkins	D12/91
D780,067 S *	2/2017	Zipfel	D12/91
D791,645 S *	7/2017	Henstridge	D12/91
D793,283 S *	8/2017	Woodhouse	D12/91
D797,603 S *	9/2017	Noone	D12/91
D801,861 S *	11/2017	Hubers	D12/91
D802,481 S *	11/2017	Zhang	D12/91
D805,434 S *	12/2017	Bischoff	D12/91

* cited by examiner

Primary Examiner — Darlington Ly

(74) Attorney, Agent, or Firm — James Dottavio

(57) **CLAIM**

The ornamental design for a motor vehicle, as shown and described.

DESCRIPTION

FIG. 1 is a top, front, and left side perspective view of a motor vehicle showing our new design;
 FIG. 2 is a top, rear and left perspective view thereof;
 FIG. 3 is a front elevational view thereof;
 FIG. 4 is a rear elevational view thereof;
 FIG. 5 is a left side elevational view thereof;
 FIG. 6 is a right side elevational view thereof; and,
 FIG. 7 is a top plan view thereof.

1 Claim, 7 Drawing Sheets





Figure 1

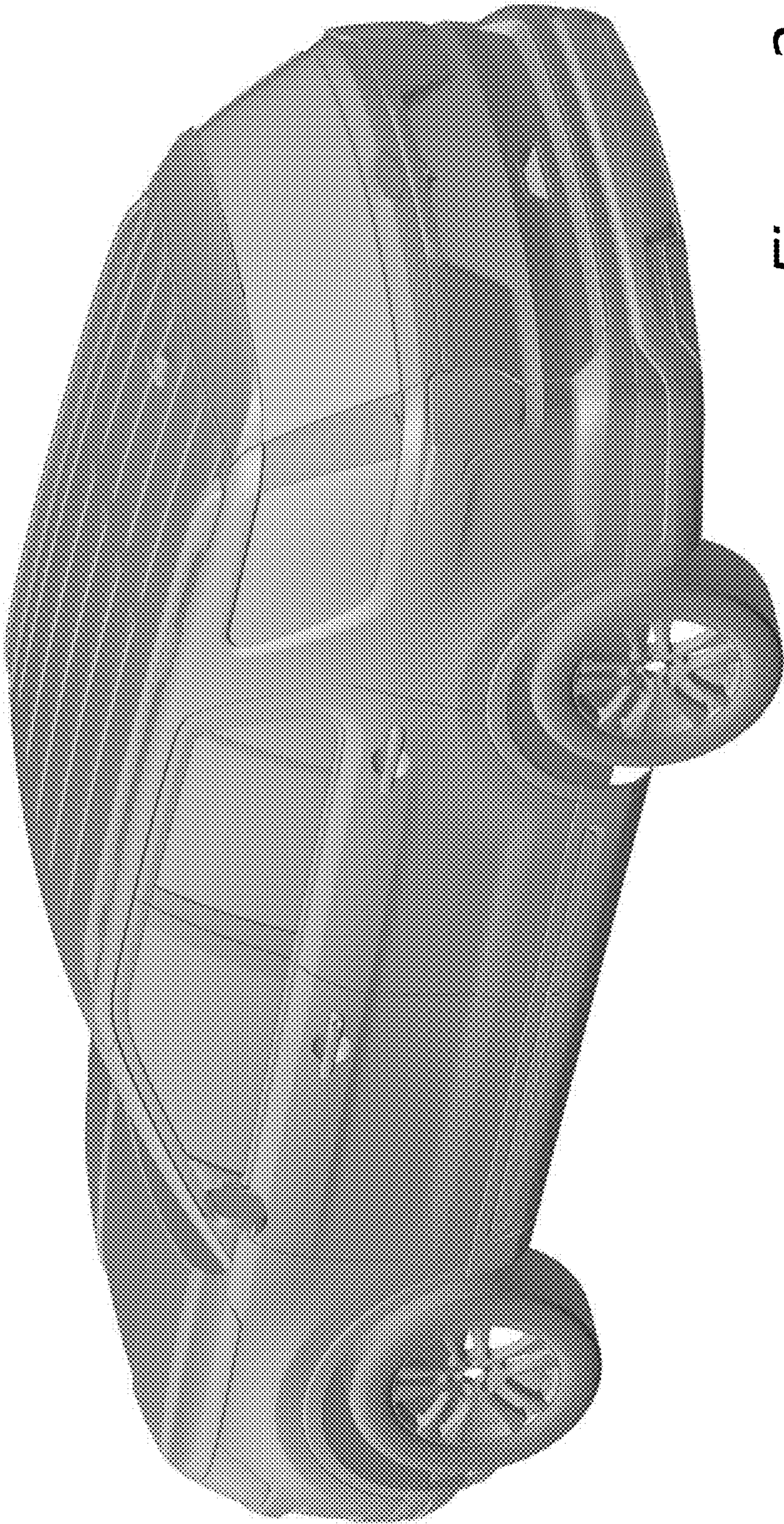


Figure 2

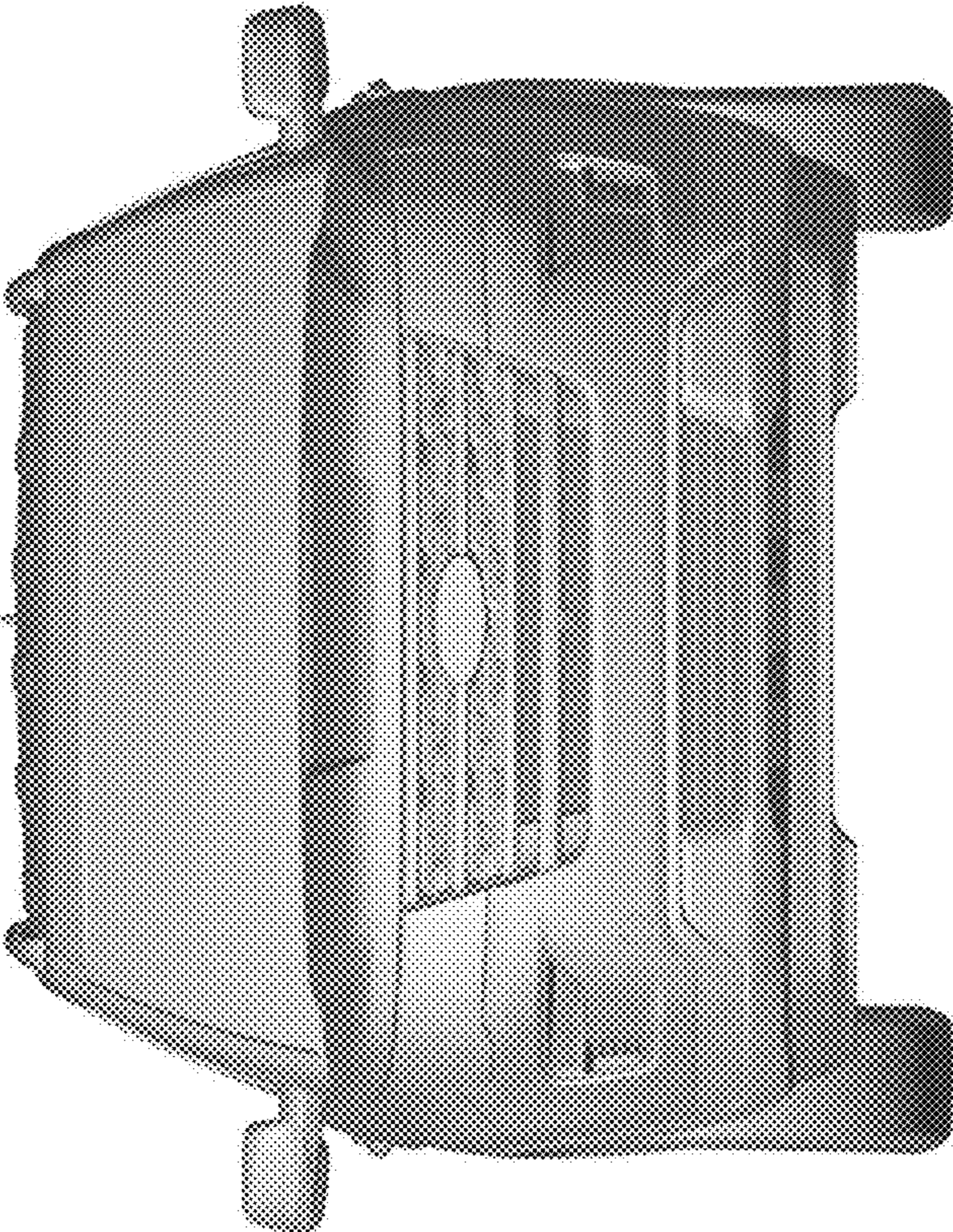


Figure 3

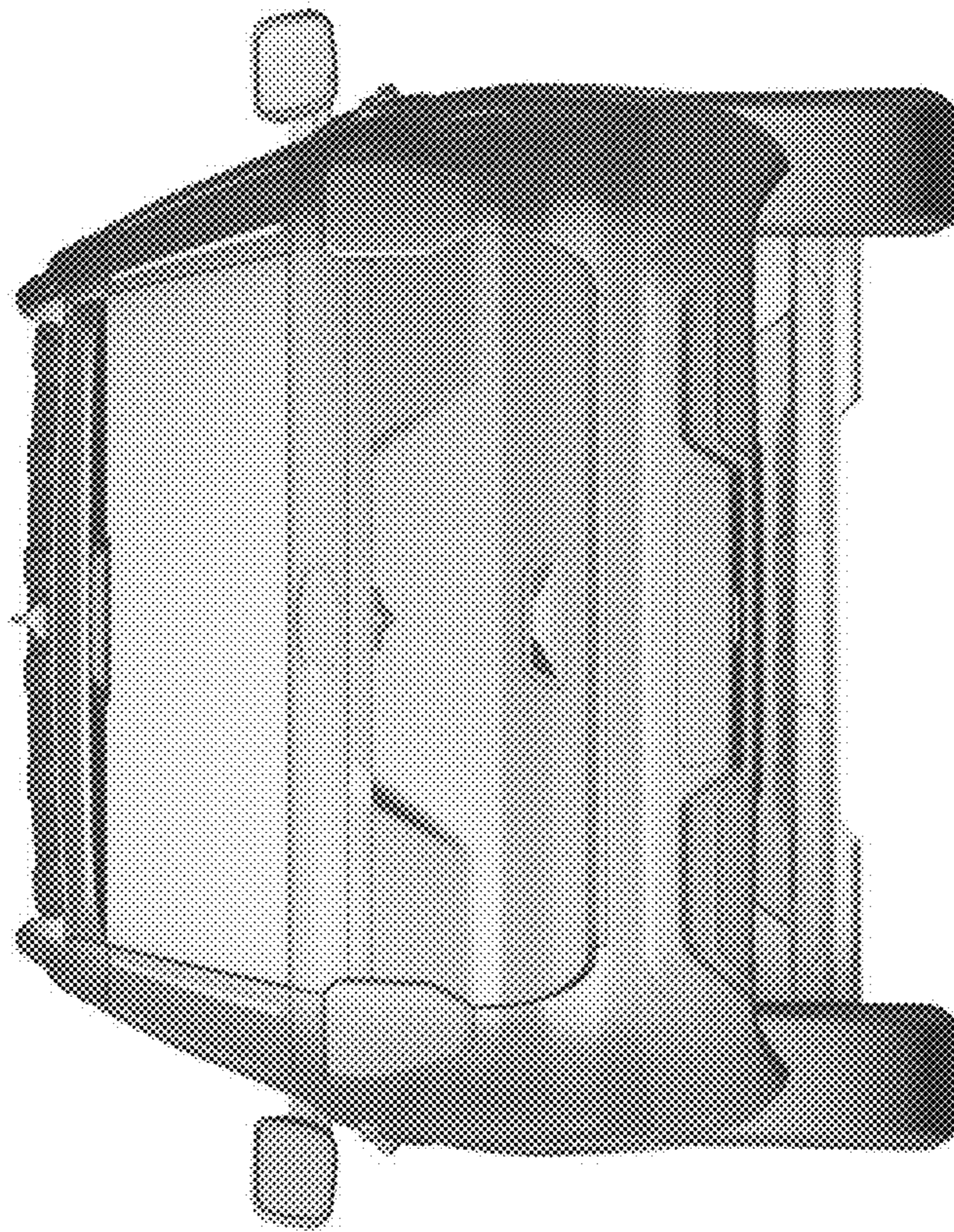


Figure 4



Figure 5



Figure 6



Figure 7