



US00D821918S

(12) **United States Design Patent**  
**Seidl**

(10) **Patent No.:** **US D821,918 S**  
(45) **Date of Patent:** **\*\* Jul. 3, 2018**

(54) **MOTOR VEHICLE, TOY AND/OR REPLICA**

(71) Applicant: **Dr. Ing. h.c. F. Porsche**  
**Aktiengesellschaft, Stuttgart (DE)**

(72) Inventor: **Andreas Seidl, Pfaffenhofen (DE)**

(73) Assignee: **Dr. Ing. h.c. F. Porsche**  
**Aktiengesellschaft, Stuttgart (DE)**

(\*\*) Term: **15 Years**

(21) Appl. No.: **29/604,356**

(22) Filed: **May 17, 2017**

(30) **Foreign Application Priority Data**

Nov. 21, 2016 (DE) ..... 40 2016 101 395

(51) **LOC (11) Cl.** ..... **12-08**

(52) **U.S. Cl.**  
USPC ..... **D12/88**

(58) **Field of Classification Search**  
USPC ..... D12/86, 90-92, 88; D21/421, 433, 434;  
296/181.1, 181.5  
CPC ..... B62D 35/00; B62D 25/00; B62D 25/06;  
B62D 33/00  
See application file for complete search history.

(56) **References Cited**

**U.S. PATENT DOCUMENTS**

D402,922 S \* 12/1998 Singer ..... D12/88  
D491,843 S \* 6/2004 Giugiaro ..... D12/88  
D561,645 S \* 2/2008 Kim ..... D12/88

D575,195 S \* 8/2008 Steinhauser ..... D12/88  
D597,442 S \* 8/2009 Steinhauser ..... D12/88  
D670,605 S \* 11/2012 Nauert ..... D12/88  
D692,345 S \* 10/2013 Murray ..... D12/86  
D715,690 S \* 10/2014 Perini ..... D12/88  
D721,618 S \* 1/2015 Hitzinger ..... D12/91  
D772,106 S \* 11/2016 Hitzinger ..... D12/88  
D774,947 S \* 12/2016 Anscheidt ..... D12/88  
D792,285 S \* 7/2017 Manzoni ..... D12/88  
D800,018 S \* 10/2017 Jheow ..... D12/88  
D801,857 S \* 11/2017 Kim ..... D12/88  
D804,994 S \* 12/2017 Hitzinger ..... D12/88

\* cited by examiner

*Primary Examiner* — Melody N Brown

(74) *Attorney, Agent, or Firm* — RatnerPrestia

(57) **CLAIM**

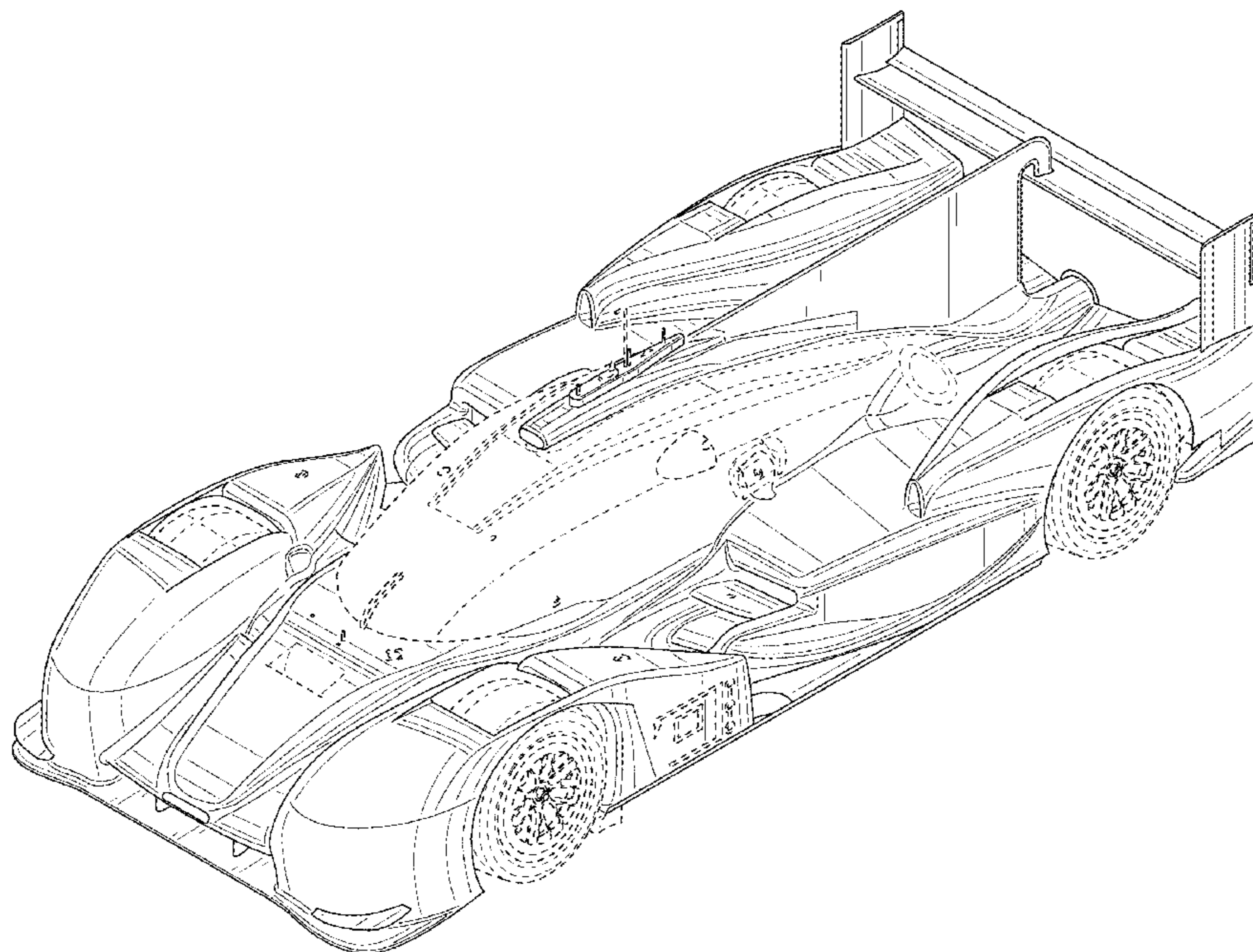
The ornamental design for a motor vehicle, toy and/or replica, as shown and described.

**DESCRIPTION**

FIG. 1 is a front perspective view of a motor vehicle, toy and/or replica;  
FIG. 2 is a rear perspective view thereof;  
FIG. 3 is a front elevation view thereof;  
FIG. 4 is a rear elevation view thereof;  
FIG. 5 is a left side elevation view thereof;  
FIG. 6 is a right side elevation view thereof; and,  
FIG. 7 is a top plan view thereof.

The broken line showing of the motor vehicle, toy and/or replica is for the purpose of illustrating portions of the motor vehicle, toy and/or replica and forms no part of the claimed design.

**1 Claim, 7 Drawing Sheets**



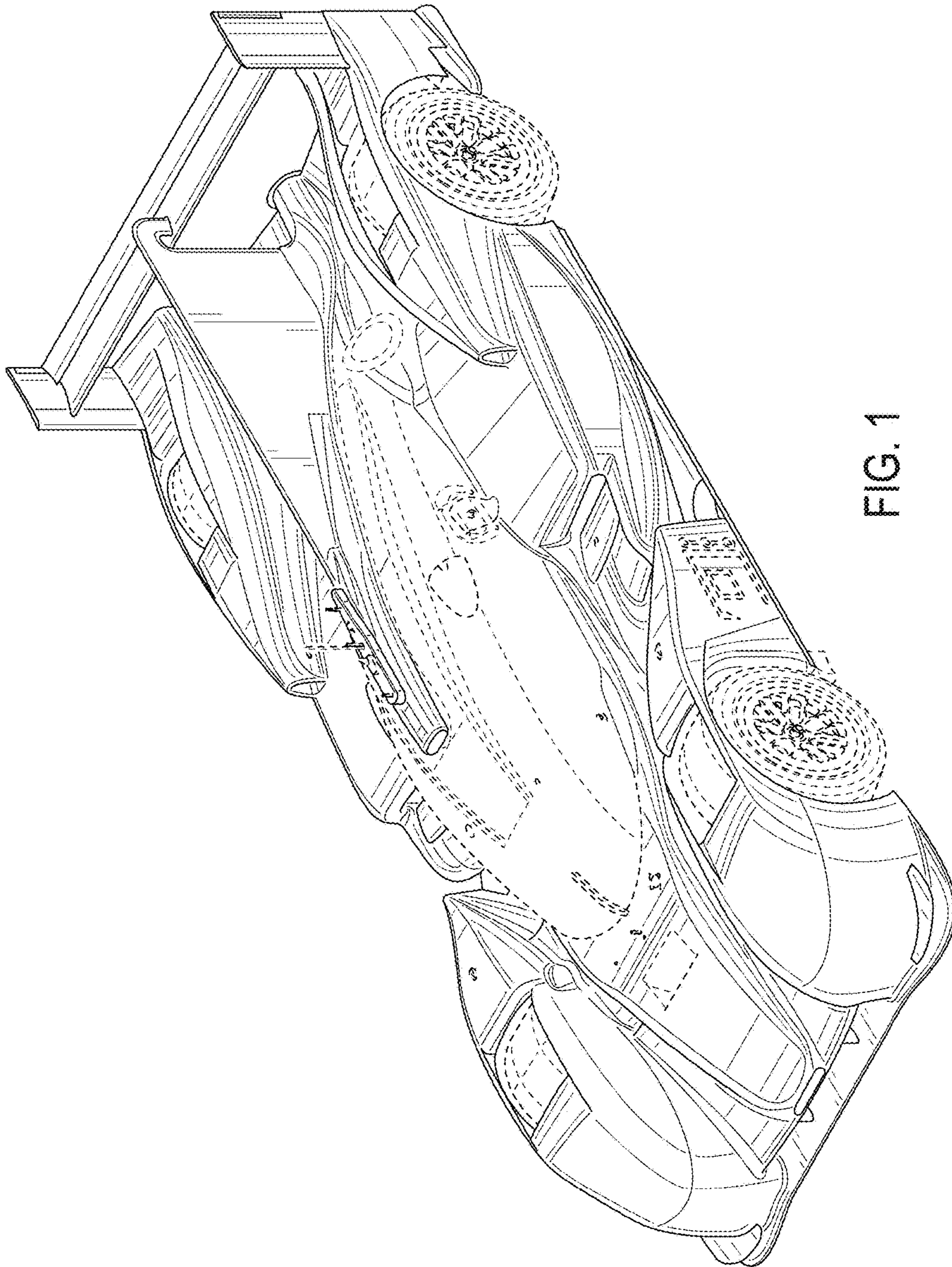


FIG. 1

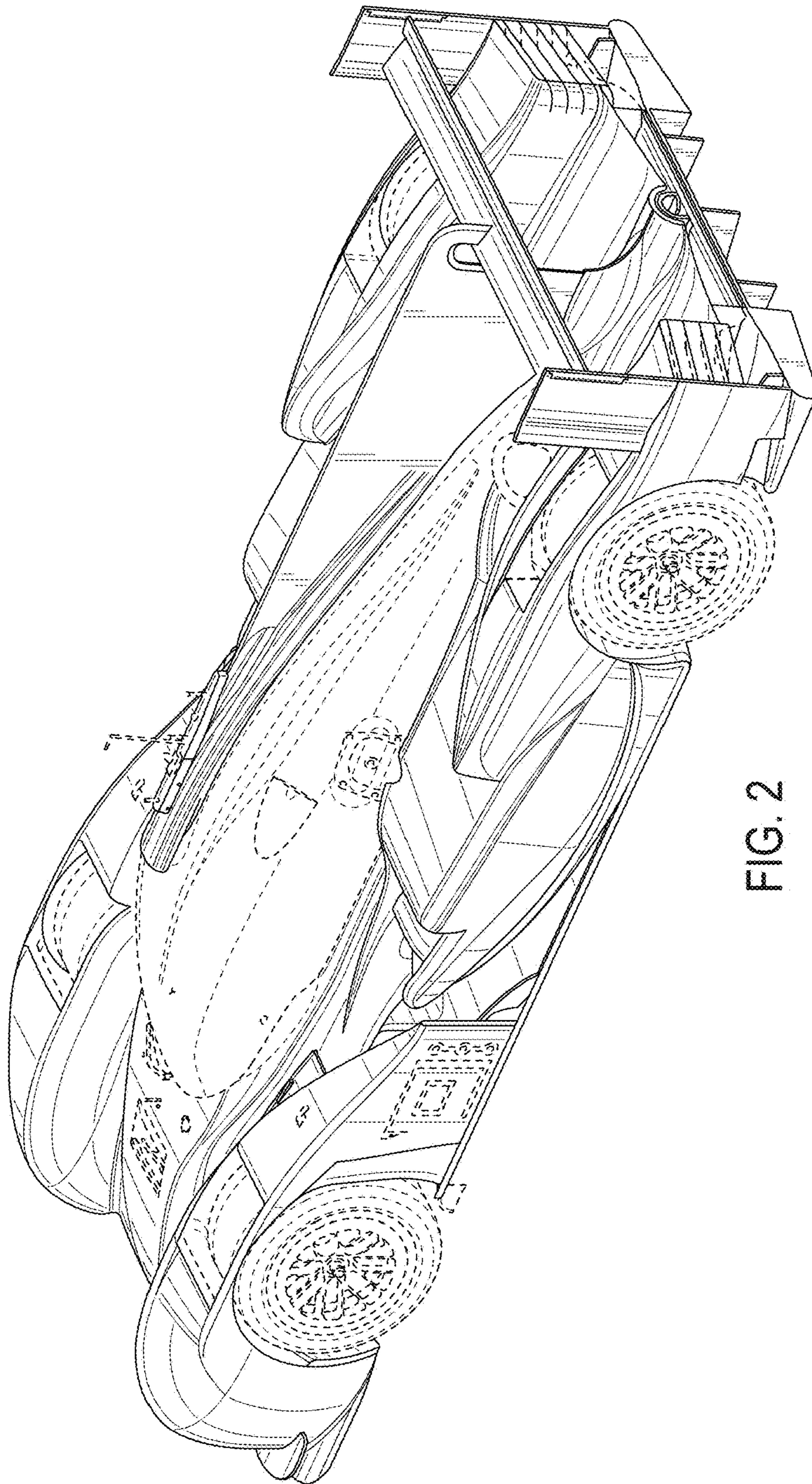


FIG. 2

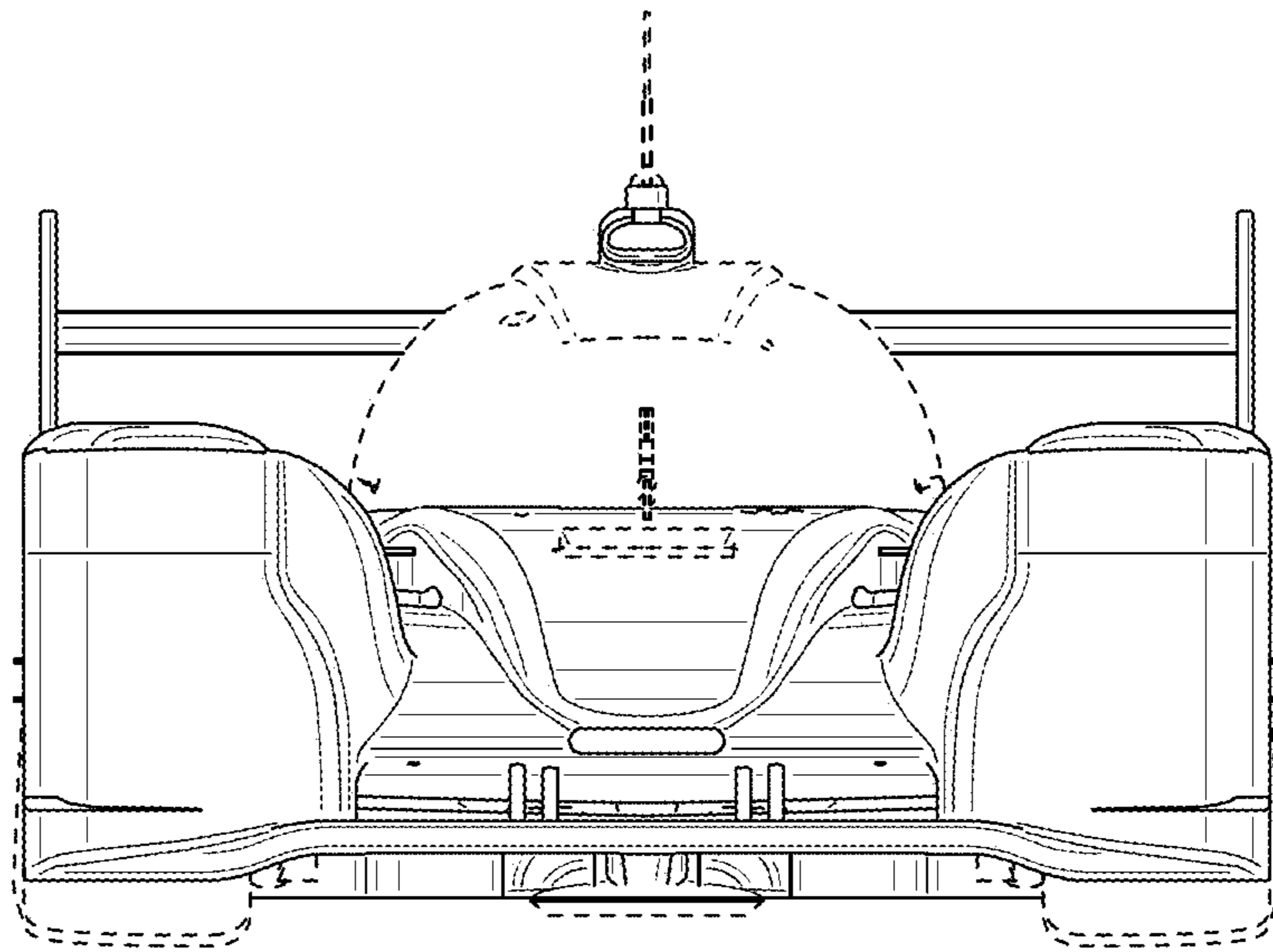


FIG. 3

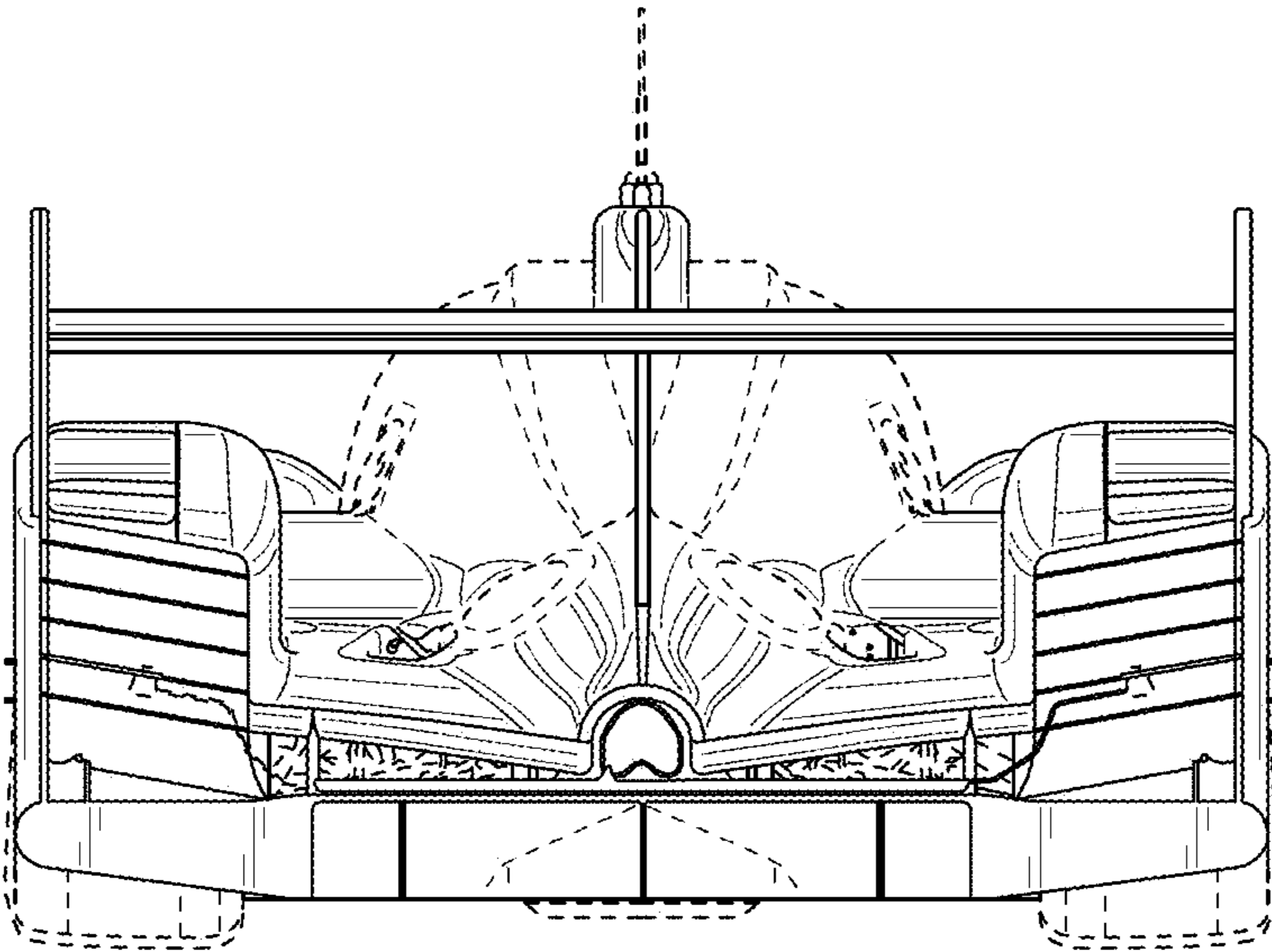


FIG. 4

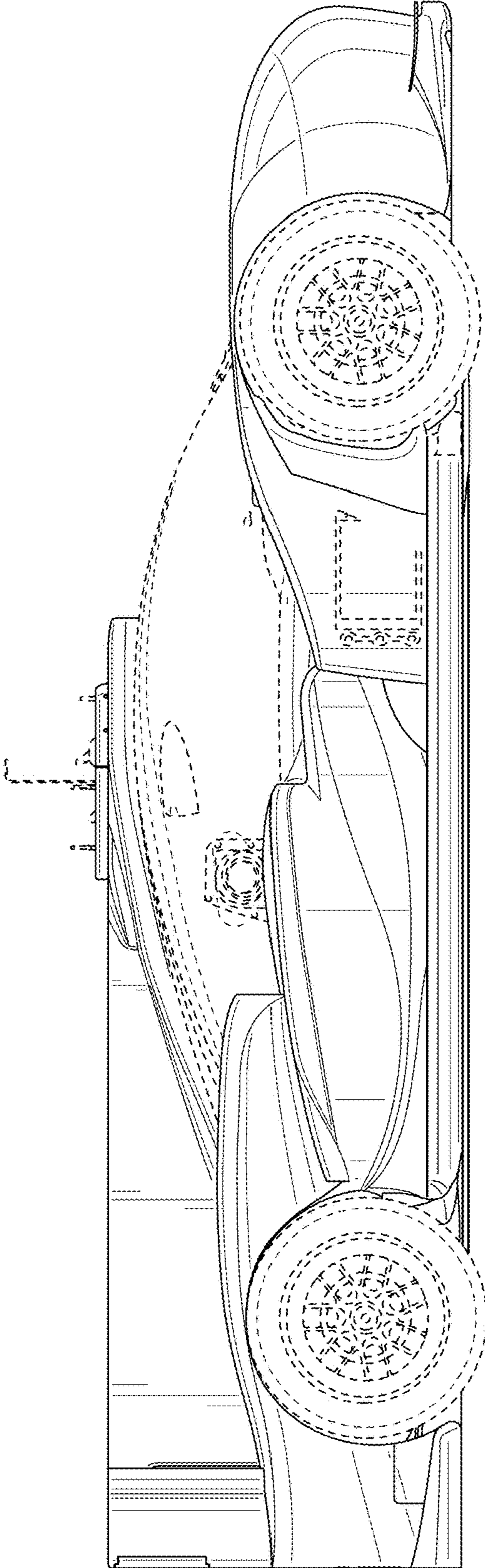


FIG. 5

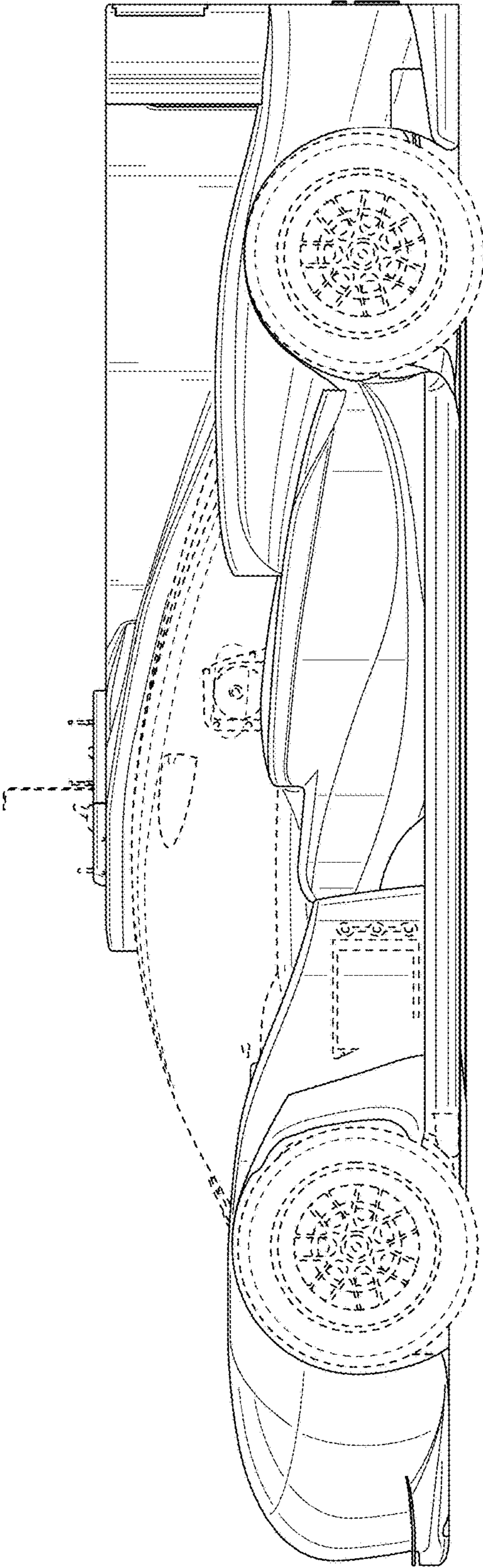


FIG. 6

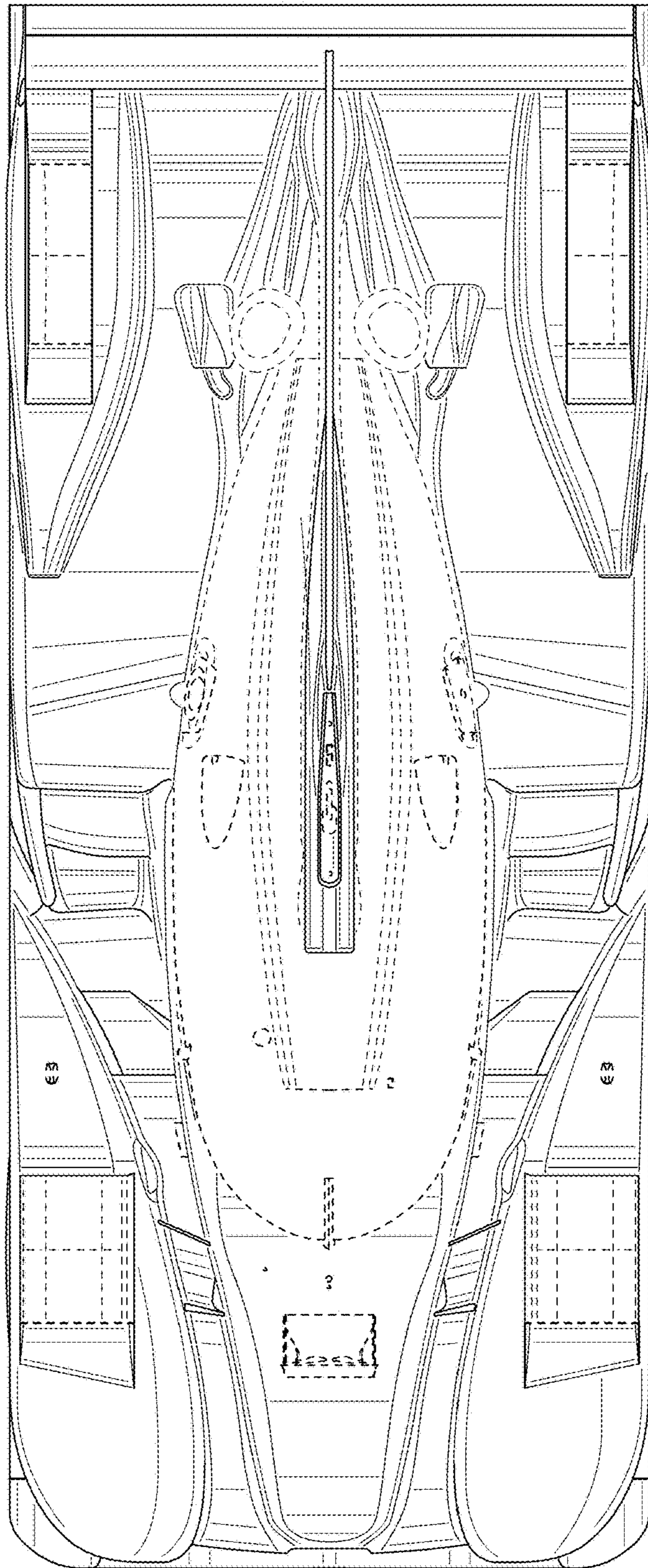


FIG. 7