



US00D821916S

(12) **United States Design Patent**  
**Zipfel**

(10) **Patent No.:** **US D821,916 S**  
(45) **Date of Patent:** **\*\* Jul. 3, 2018**

(54) **VEHICLE FRONT BUMPER PLATE LOWER**  
(71) Applicant: **GM GLOBAL TECHNOLOGY OPERATIONS LLC**, Detroit, MI (US)  
(72) Inventor: **Carl J. Zipfel**, Oxford, MI (US)  
(73) Assignee: **GM GLOBAL TECHNOLOGY OPERATIONS LLC**, Detroit, MI (US)

(\*\*) Term: **15 Years**  
(21) Appl. No.: **29/609,218**

(22) Filed: **Jun. 29, 2017**  
(51) **LOC (11) Cl.** ..... **12-16**  
(52) **U.S. Cl.**  
USPC ..... **D12/16**  
(58) **Field of Classification Search**  
USPC .... D12/86, 88, 90, 91, 92, 93, 96, 163, 169, D12/172, 173, 181, 196, 216; D11/81, D11/133; 296/180.1, 180.2; 293/102, 293/113, 115, 117, 120; 280/727, 770, 280/848  
CPC ..... B60R 19/02; B60R 19/04; B60R 19/18; B60R 19/24; B60R 19/48; B60R 19/44; B60R 19/56

See application file for complete search history.

(56) **References Cited**

**U.S. PATENT DOCUMENTS**

D380,530 S \* 7/1997 Stanton ..... D23/303  
D570,742 S 6/2008 Takagi et al.  
D592,105 S 5/2009 Dean et al.  
D597,447 S 8/2009 Folden  
D600,595 S 9/2009 Nakamura et al.  
D601,925 S 10/2009 O'Donnell  
D603,755 S 11/2009 Peters  
D604,203 S 11/2009 O'Donnell  
D605,082 S 12/2009 Munson

D605,083 S 12/2009 Manoogian, II et al.  
D605,977 S 12/2009 Zipfel et al.  
D605,978 S 12/2009 Wolff et al.  
D608,249 S 1/2010 Peters  
D608,690 S 1/2010 Folden et al.  
D608,691 S 1/2010 Zak, Jr. et al.  
D609,608 S 2/2010 Boniface et al.  
D611,387 S 3/2010 Thompson et al.  
D611,879 S 3/2010 Kim et al.  
D612,297 S 3/2010 Peters et al.  
D613,645 S 4/2010 Song et al.  
D615,458 S 5/2010 Thompson et al.  
D618,595 S 6/2010 Ware et al.  
D623,090 S 9/2010 Cox et al.  
D627,262 S 11/2010 Ikeda et al.  
D635,488 S 4/2011 Phipps  
D644,147 S 8/2011 Suh et al.  
D644,567 S 9/2011 Kozub

(Continued)

*Primary Examiner* — Ian Simmons  
*Assistant Examiner* — Yolanda Robinson

(57) **CLAIM**

The ornamental design for a vehicle front bumper plate lower, as shown and described.

**DESCRIPTION**

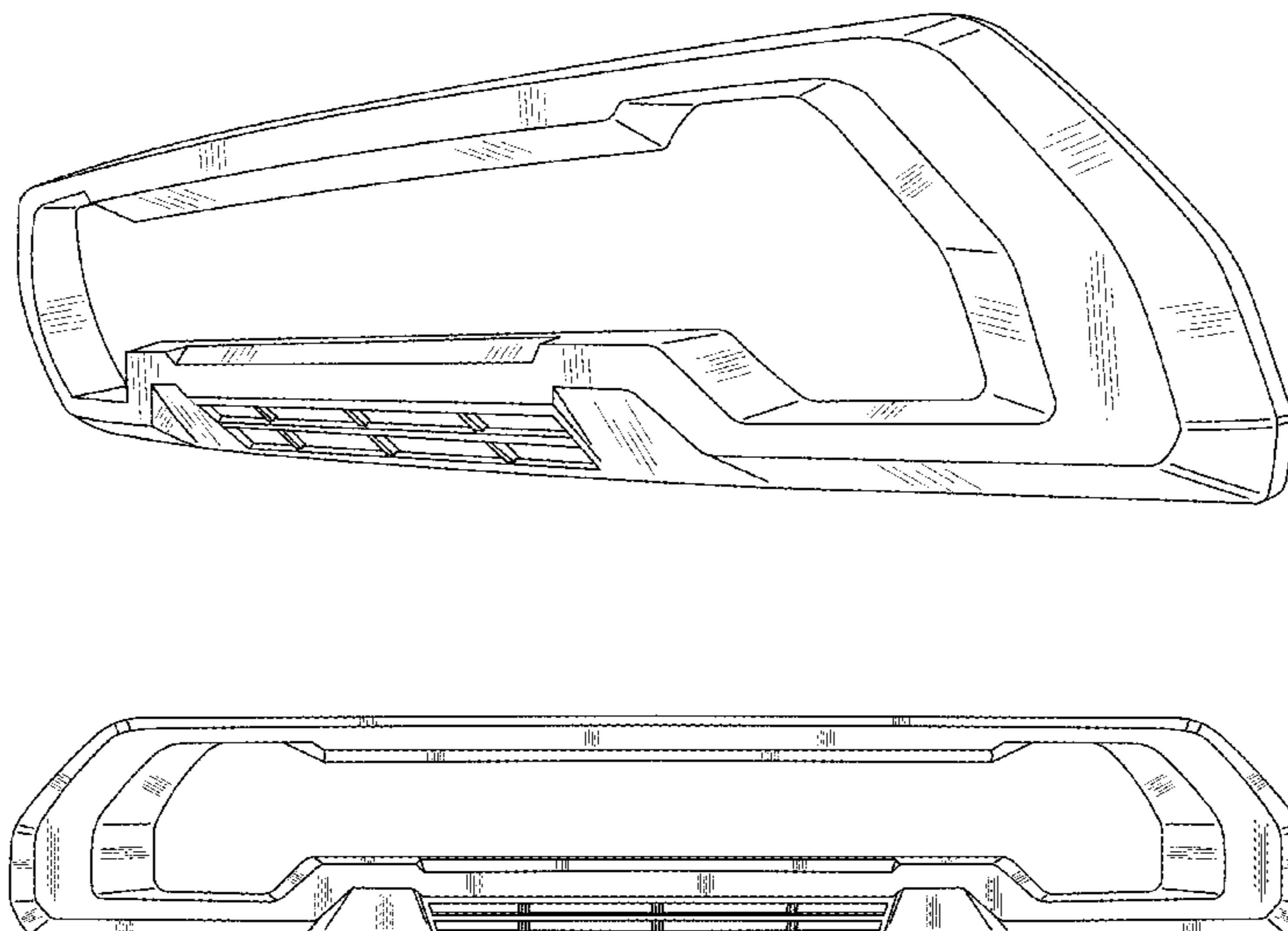
FIG. 1 is a front and left perspective view of the vehicle front bumper plate lower according to the present disclosure; FIG. 2 is a left end elevation view thereof; FIG. 3 is a front elevation view thereof; and, FIG. 4 is a bottom plan view thereof.

The right end elevation view is omitted, because the right end elevation view is a mirror image to the left end elevation view.

The broken lines shown in the drawings depict portions of the vehicle front bumper plate lower that form no part of the claimed design.

The shade lines in the figures show contour and not surface ornamentation.

**1 Claim, 2 Drawing Sheets**



(56)

References Cited

U.S. PATENT DOCUMENTS

D657,718 S	4/2012	Zipfel et al.	D749,759 S	*	2/2016	Beaven	D26/28
D659,052 S	5/2012	Ware et al.	D749,985 S		2/2016	Kozub et al.	
D659,053 S	5/2012	Ware et al.	D749,997 S		2/2016	McMahan et al.	
D668,182 S	10/2012	Barba Franco et al.	D750,001 S		2/2016	Thole et al.	
D668,183 S	10/2012	Smart	D753,032 S		4/2016	Smith et al.	
D678,820 S	3/2013	Son et al.	D753,033 S		4/2016	Thole et al.	
D678,821 S	3/2013	Ikeda et al.	D753,034 S		4/2016	Thole et al.	
D680,909 S	4/2013	Munson et al.	D753,035 S		4/2016	Boniface et al.	
D680,910 S	4/2013	David	D753,559 S		4/2016	McMahan et al.	
D684,899 S	6/2013	Baker	D753,560 S		4/2016	McMahan et al.	
D686,536 S	7/2013	McCabe et al.	D753,567 S		4/2016	Boniface et al.	
D688,992 S	* 9/2013	Hildebrand	D754,571 S		4/2016	Boniface et al.	
		.....	D754,572 S		4/2016	McMahan et al.	
		D12/169	D755,088 S		5/2016	McMahan et al.	
D692,798 S	11/2013	Thurber	D756,869 S		5/2016	McMahan et al.	
D692,799 S	11/2013	Smith et al.	D757,616 S	*	5/2016	Lesnik	D12/169
D696,157 S	12/2013	Loeb	D758,271 S		6/2016	McMahan et al.	
D699,629 S	2/2014	Ikeda et al.	D764,975 S		8/2016	Aengenheyster	
D700,871 S	3/2014	O'Donnell et al.	D764,976 S		8/2016	Aengenheyster	
D703,103 S	4/2014	Lee	D764,985 S	*	8/2016	Faghihzadeh	D12/169
D704,103 S	5/2014	Mack et al.	D767,449 S		9/2016	Pevovar et al.	
D705,132 S	5/2014	Ware et al.	D767,450 S		9/2016	Lee et al.	
D705,699 S	5/2014	Ware et al.	D767,451 S		9/2016	Kozub et al.	
D713,298 S	9/2014	Dyson	D767,454 S		9/2016	McMahan et al.	
D713,764 S	9/2014	Ferlazzo et al.	D767,458 S		9/2016	Kim	
D716,696 S	11/2014	Thole et al.	D767,459 S		9/2016	Kim	
D716,706 S	11/2014	Thole et al.	D767,460 S		9/2016	Kozub et al.	
D716,709 S	11/2014	Thole et al.	D767,461 S		9/2016	Kozub et al.	
D717,696 S	11/2014	Thole et al.	D771,528 S		11/2016	Smith et al.	
D718,189 S	11/2014	Krieg et al.	D771,529 S		11/2016	Thole et al.	
D718,683 S	12/2014	Thole et al.	D771,532 S		11/2016	Kapitonov	
D722,282 S	2/2015	Loeb	D771,533 S		11/2016	Kapitonov	
D722,533 S	2/2015	Thole et al.	D772,766 S		11/2016	Kozub et al.	
D722,534 S	2/2015	Munson et al.	D772,767 S		11/2016	Kim	
D724,510 S	3/2015	McMahan et al.	D773,084 S		11/2016	Kapitonov	
D725,001 S	3/2015	McMahan et al.	D773,086 S		11/2016	McCabe et al.	
D726,591 S	4/2015	Jacob	D774,226 S		12/2016	McCabe et al.	
D730,776 S	6/2015	Smart	D775,003 S		12/2016	Pevovar et al.	
D730,783 S	6/2015	Henriques et al.	D775,007 S		12/2016	Thole et al.	
D732,427 S	6/2015	Loeb	D775,010 S	*	12/2016	Kim	D12/169
D732,429 S	6/2015	Loeb	D775,049 S		12/2016	Scheer et al.	
D732,430 S	6/2015	Loeb	D775,549 S		1/2017	Karras	
D732,431 S	6/2015	Loeb	D775,554 S		1/2017	Kapitonov	
D732,432 S	6/2015	Aengenheyster	D776,020 S		1/2017	Kapitonov	
D732,433 S	6/2015	Aengenheyster	D776,581 S		1/2017	Pevovar et al.	
D732,435 S	6/2015	Mackay	D776,583 S		1/2017	Scheer et al.	
D733,002 S	6/2015	Loeb	D776,841 S		1/2017	Kozub et al.	
D735,611 S	8/2015	Aengenheyster	D776,843 S		1/2017	McCabe et al.	
D735,627 S	8/2015	Smith	D776,846 S		1/2017	Willett et al.	
D736,451 S	8/2015	Smith	D777,359 S		1/2017	Kozub et al.	
D739,306 S	9/2015	McMahan et al.	D777,360 S		1/2017	Kozub et al.	
D739,317 S	9/2015	McMahan et al.	D777,361 S		1/2017	Kozub et al.	
D741,223 S	10/2015	Kim et al.	D777,604 S		1/2017	McNerney	
D743,309 S	11/2015	Thole et al.	D777,605 S		1/2017	Ferlazzo et al.	
D743,313 S	11/2015	Smith et al.	D777,620 S		1/2017	Pevovar et al.	
D743,314 S	11/2015	Thole et al.	D777,621 S		1/2017	Kim	
D743,857 S	11/2015	McMahan et al.	D777,622 S		1/2017	Kozub et al.	
D744,158 S	11/2015	Willett et al.	D777,628 S		1/2017	Kozub et al.	
D745,086 S	12/2015	Finos et al.	D777,955 S		1/2017	Willett et al.	
D745,719 S	12/2015	Boniface et al.	D778,212 S		2/2017	Kozub et al.	
D745,725 S	12/2015	McMahan et al.	D778,215 S		2/2017	Kozub et al.	
D745,726 S	12/2015	McMahan et al.	D780,064 S		2/2017	Smith et al.	
D745,837 S	12/2015	Smith et al.	D780,067 S		2/2017	Zipfel et al.	
D746,726 S	1/2016	Smith et al.	D780,068 S		2/2017	Whitla et al.	
D746,727 S	1/2016	Smith et al.	D780,077 S		2/2017	Kim et al.	
D746,728 S	1/2016	Smith et al.	D780,081 S		2/2017	Lee	
D746,729 S	1/2016	Boniface et al.	D780,084 S		2/2017	Scheer et al.	
D746,730 S	1/2016	Kim et al.	D780,631 S		3/2017	Kozub et al.	
D747,514 S	1/2016	McMahan et al.	D780,644 S		3/2017	Kim et al.	
D747,515 S	1/2016	McMahan et al.	D781,184 S		3/2017	Thole et al.	
D747,819 S	1/2016	Thole et al.	D781,192 S		3/2017	Kozub et al.	
D749,021 S	* 2/2016	Boniface	D782,379 S		3/2017	Wassell	
		.....	D783,482 S		4/2017	Smith et al.	
		D12/169	D784,213 S		4/2017	Karras	
D749,026 S	2/2016	Smith et al.	D784,223 S		4/2017	Lee	
D749,027 S	2/2016	McMahan et al.	D784,226 S		4/2017	Cheng	
D749,246 S	2/2016	Thole et al.	D784,579 S		4/2017	Cheng et al.	
D749,249 S	2/2016	Thole et al.	D784,877 S		4/2017	Lee	
D749,250 S	2/2016	Thole et al.	D784,886 S		4/2017	Smith et al.	



(56)

**References Cited**

U.S. PATENT DOCUMENTS

D785,521 S	5/2017	Smith et al.	D789,260 S	6/2017	Smith
D786,149 S	5/2017	Pevovar et al.	D789,575 S	6/2017	Willett
D786,743 S	5/2017	Smith et al.	D789,841 S	6/2017	Lee
D786,750 S	5/2017	Lee	D789,849 S	6/2017	Lee
D787,446 S	5/2017	Cockerill	D793,926 S *	8/2017	Potter ..... D12/169
D787,984 S	5/2017	Fang	D796,396 S *	9/2017	Badstuebner ..... D12/169
D787,988 S	5/2017	Lee	D798,204 S *	9/2017	Mainville ..... D12/169
D787,989 S	5/2017	Kozub et al.	D801,241 S *	10/2017	Park ..... D12/169
D787,990 S	5/2017	Kozub et al.	D802,498 S *	11/2017	Zavatski ..... D12/169
D787,991 S *	5/2017	Lee ..... D12/169	D804,998 S *	12/2017	Jelec ..... D12/92
D787,992 S	5/2017	Lee	D805,008 S *	12/2017	Scheinutte ..... D12/169
D787,993 S	5/2017	McCabe et al.	D805,437 S *	12/2017	Varga ..... D12/92
D788,001 S	5/2017	Lee	D805,962 S *	12/2017	Jelec ..... D12/92
D788,641 S	6/2017	Arnold	D805,963 S *	12/2017	Varga ..... D12/92
D788,644 S	6/2017	Mueller	D805,966 S *	12/2017	Perkins ..... D12/163
D788,645 S	6/2017	Mueller	D807,249 S *	1/2018	Piscitelli ..... D12/169
D789,250 S	6/2017	Arnold	D807,264 S *	1/2018	Henstridge ..... D12/190
			D811,284 S *	2/2018	Granlund ..... D12/169
			D811,957 S *	3/2018	Whitla ..... D12/169

\* cited by examiner

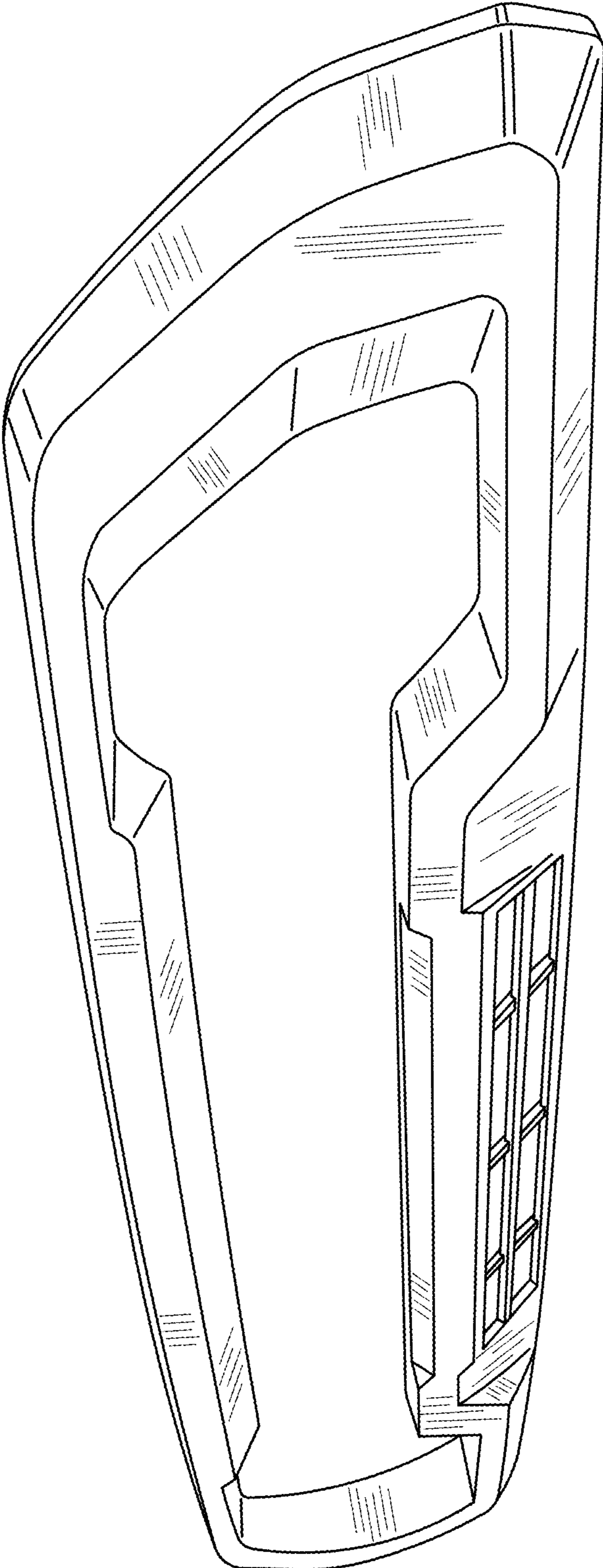


FIG - 1

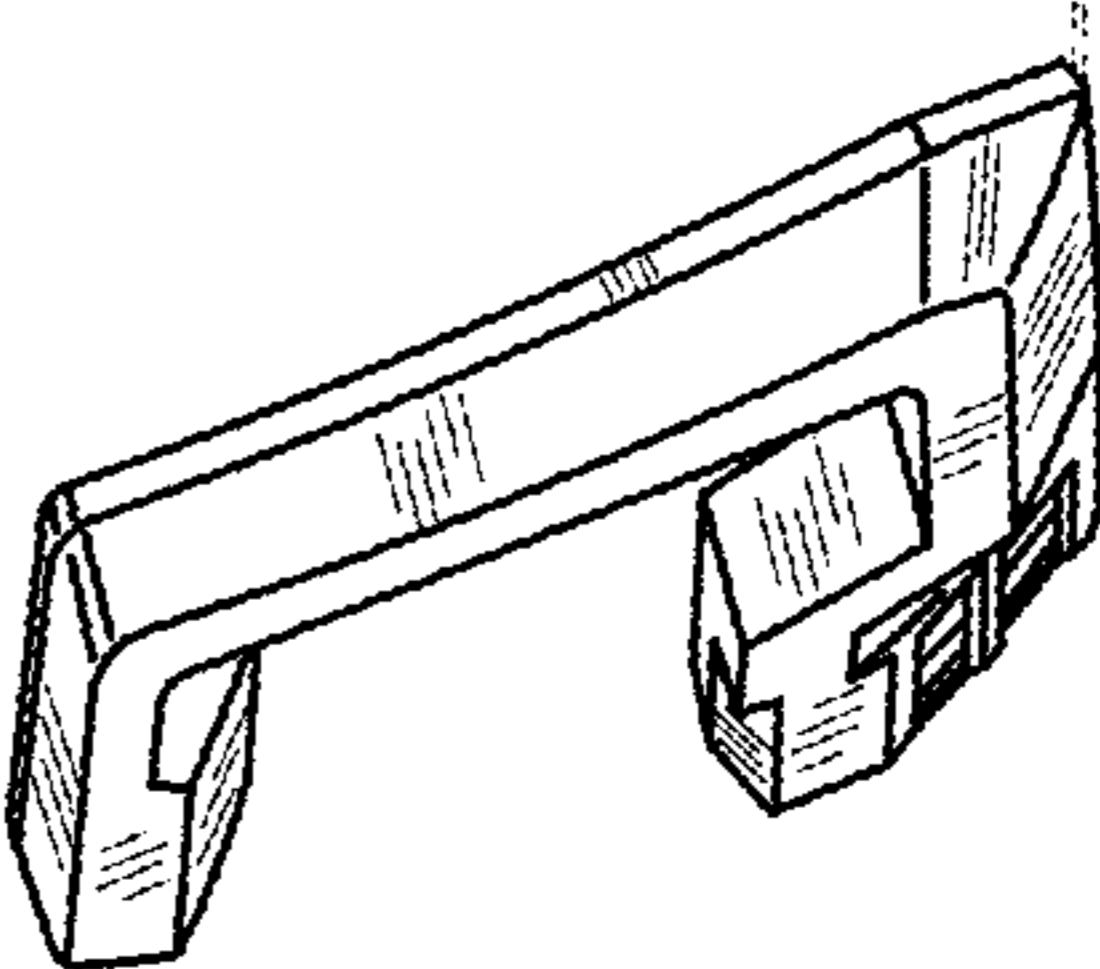


FIG - 2

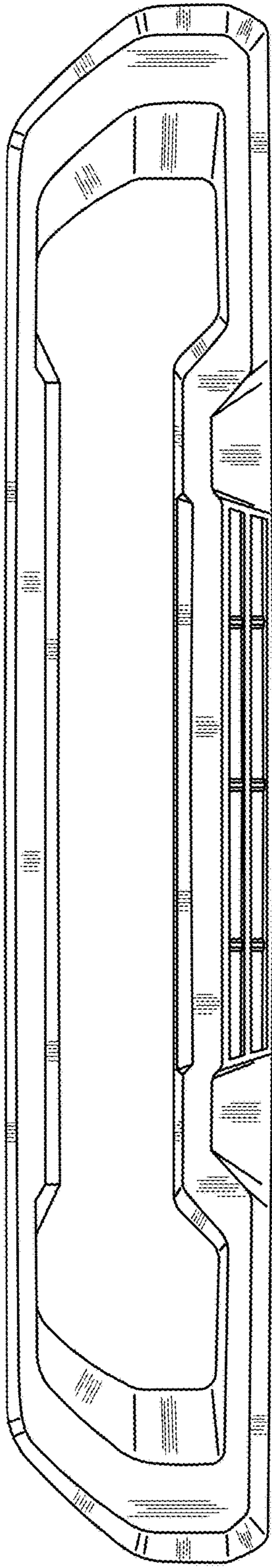


FIG - 3

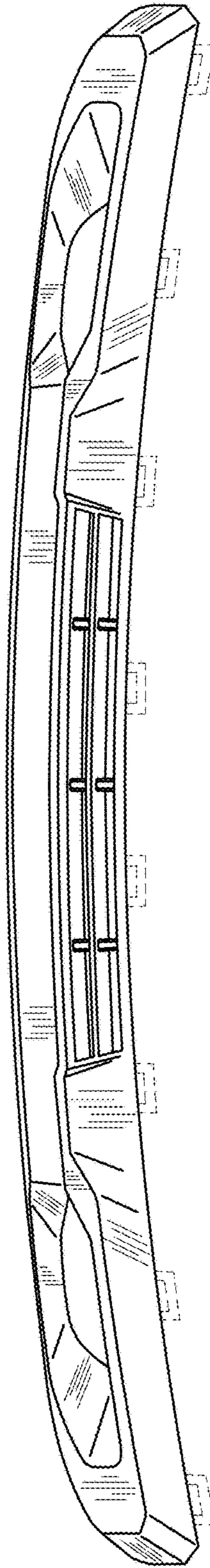


FIG - 4