



US00D821914S

(12) **United States Design Patent**
Tao

(10) **Patent No.:** **US D821,914 S**
(45) **Date of Patent:** **** Jul. 3, 2018**

- (54) **HOOK SUPPORTED PLANTER**
- (71) Applicant: **Almi International Plastic Industries, S.A.**, Hollywood, FL (US)
- (72) Inventor: **Andrew Tao**, Zhejiang (CN)
- (73) Assignee: **Almi International Plastic Industries S.A.**, Hollywood, FL (US)
- (**) Term: **15 Years**
- (21) Appl. No.: **29/573,737**
- (22) Filed: **Aug. 9, 2016**
- (51) **LOC (11) Cl.** **11-02**
- (52) **U.S. Cl.**
USPC **D11/152**
- (58) **Field of Classification Search**
USPC D11/143, 152, 155, 156; D6/556, 525; D8/1; D7/533, 620
CPC A47G 23/0225; A47G 7/041; A47G 7/06; B60N 3/108; B60N 3/103; A61J 9/0646; A61J 9/0661; A47H 27/00; A01G 9/02; A01G 9/022
See application file for complete search history.

D365,232 S *	12/1995	Briault	D11/156
D387,472 S *	12/1997	Linkjendal	D27/102
D403,268 S *	12/1998	Dignam	D11/156
D425,854 S *	5/2000	Matlack	D12/416
D451,054 S *	11/2001	Thom	D3/307
D481,236 S *	10/2003	Hunt	D6/525
6,648,290 B1 *	11/2003	Aleman	B60N 2/28 248/230.7
D496,827 S *	10/2004	Bodum	D7/533
D547,235 S *	7/2007	Stanton	D11/156
D596,463 S *	7/2009	Poindexter	D7/509
D600,017 S *	9/2009	Christie	D3/304
D714,594 S *	10/2014	Blandl	D12/419
D770,199 S *	11/2016	Dorrance	D6/525
D777,528 S *	1/2017	Landphere	D12/419
D798,056 S *	9/2017	Aylward	D3/307
D799,902 S *	10/2017	Ribeiro-Ramalhosa	D7/533
2004/0006913 A1 *	1/2004	Jordan	A01G 9/022 47/86

(Continued)

Primary Examiner — Sheryl Lane

(74) *Attorney, Agent, or Firm* — Howard Natter; Natter and Natter

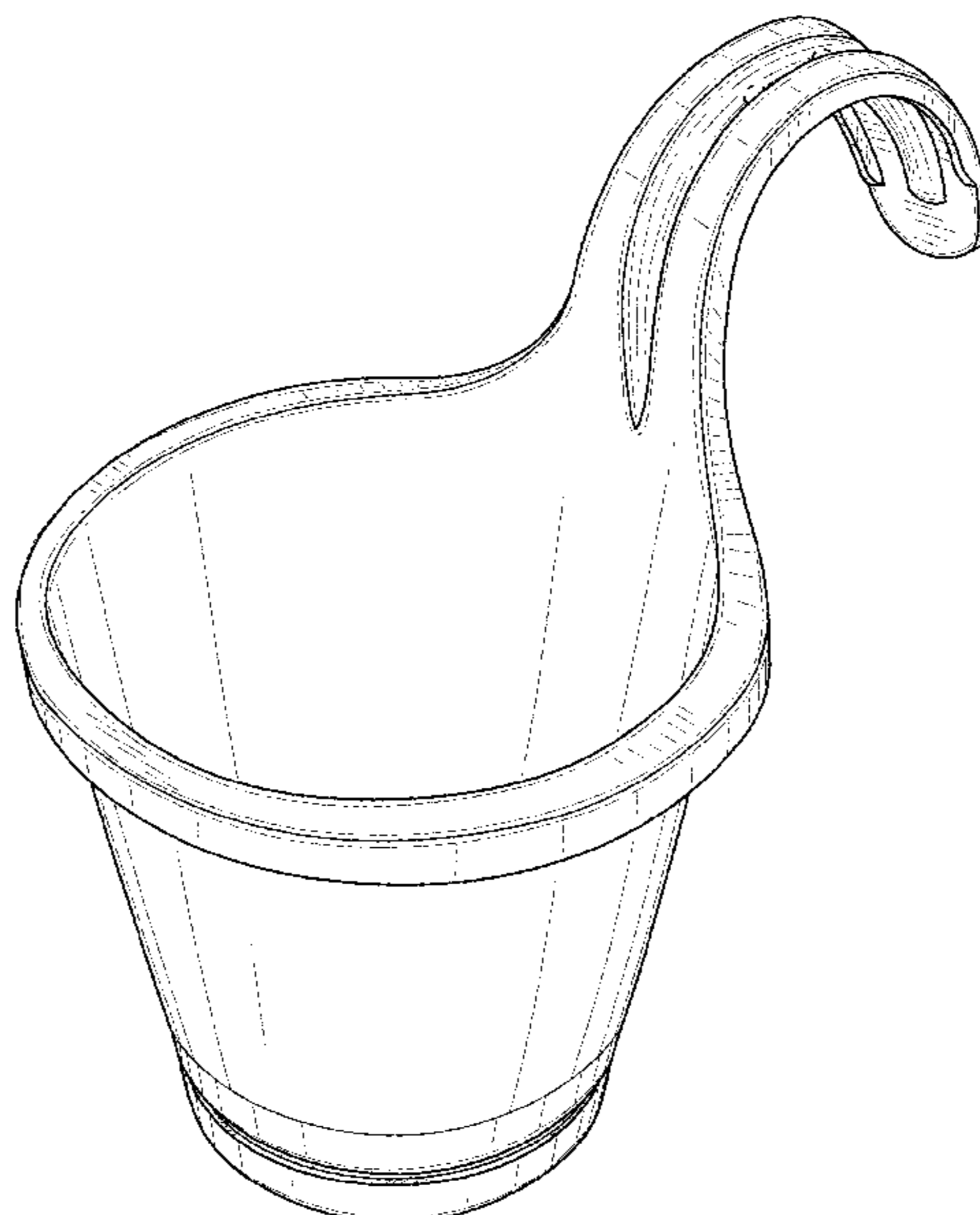
(57) **CLAIM**

The ornamental design for a hook supported planter, as shown and described.

DESCRIPTION

FIG. 1 is a top front right side perspective view of a hook supported planter showing my new design;
 FIG. 2 is a top plan view thereof;
 FIG. 3 is a front side elevational view thereof;
 FIG. 4 is a left side elevational view thereof, the right side elevational view being a mirror image thereof;
 FIG. 5 is a rear side elevational view thereof; and,
 FIG. 6 is a bottom plan view thereof.
 The broken-lines in the drawings show portions of the hook supported planter that do not form part of the claimed design.

1 Claim, 3 Drawing Sheets



(56)

References Cited

U.S. PATENT DOCUMENTS

2011/0084088 A1* 4/2011 Scribner A01G 9/022
220/751
2013/0047506 A1* 2/2013 Sheaffer A01G 9/022
47/67
2016/0029572 A1* 2/2016 Stott A01G 9/1066
47/66.7

* cited by examiner

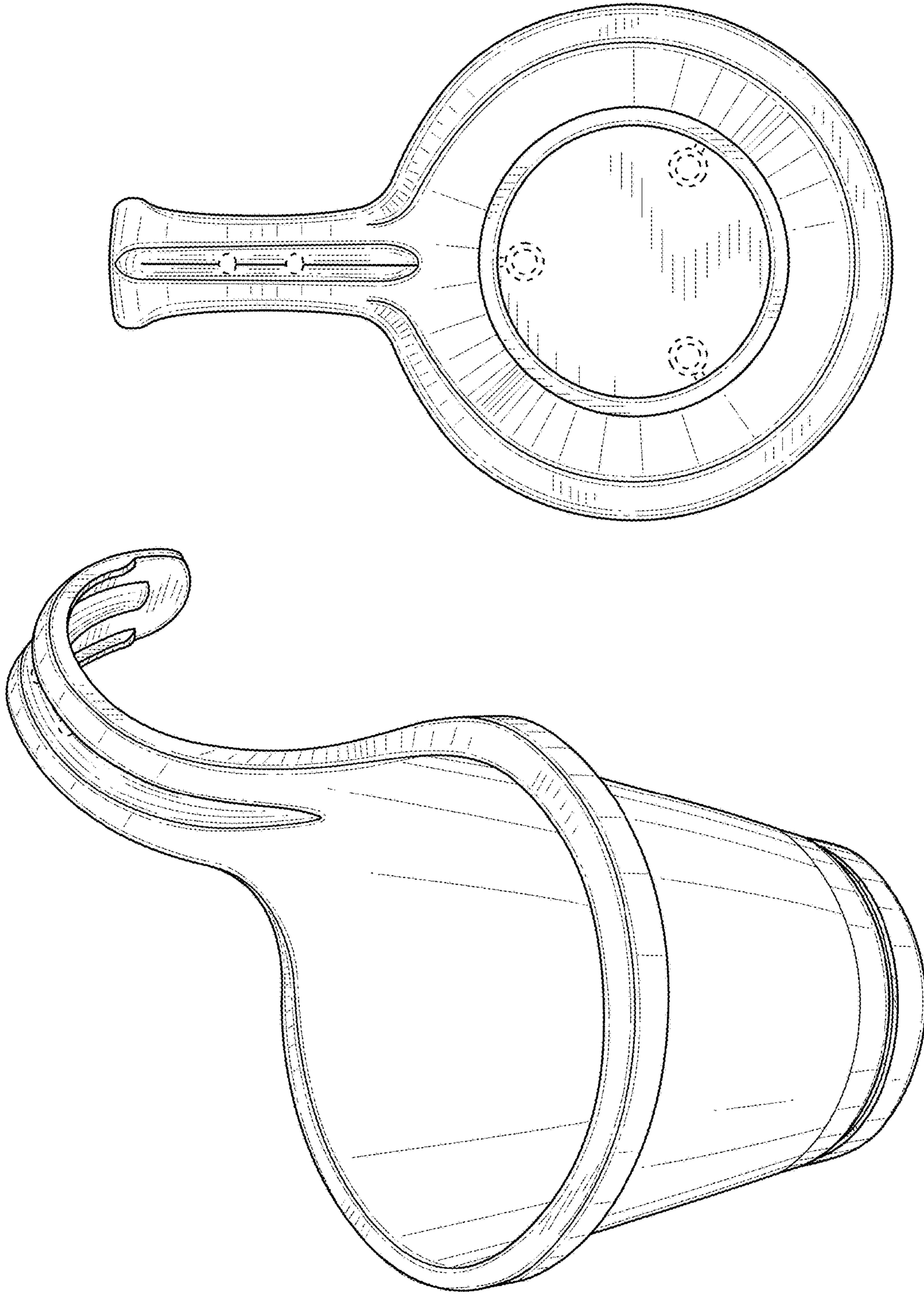


FIG. 2

FIG. 1

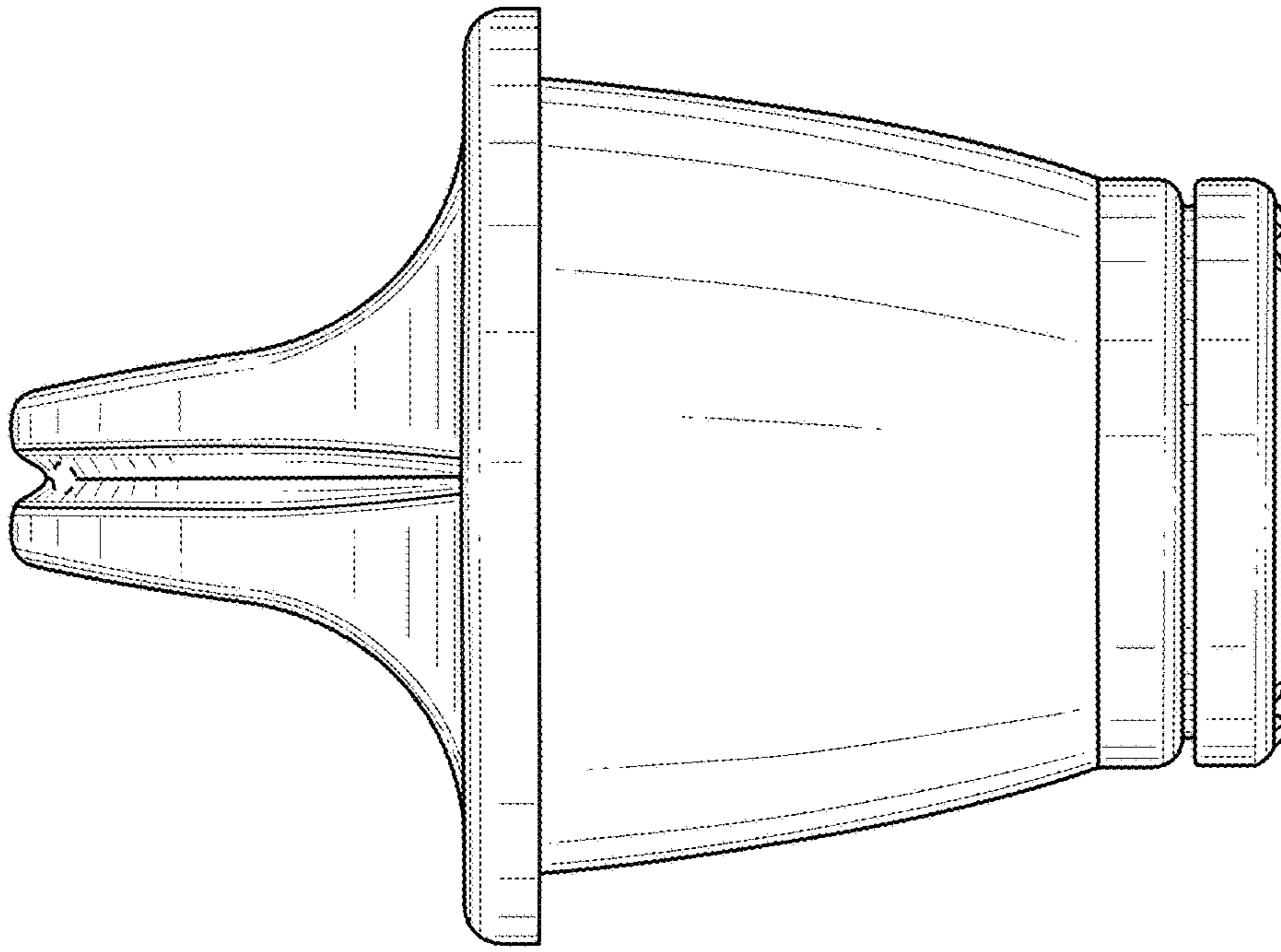


FIG. 3

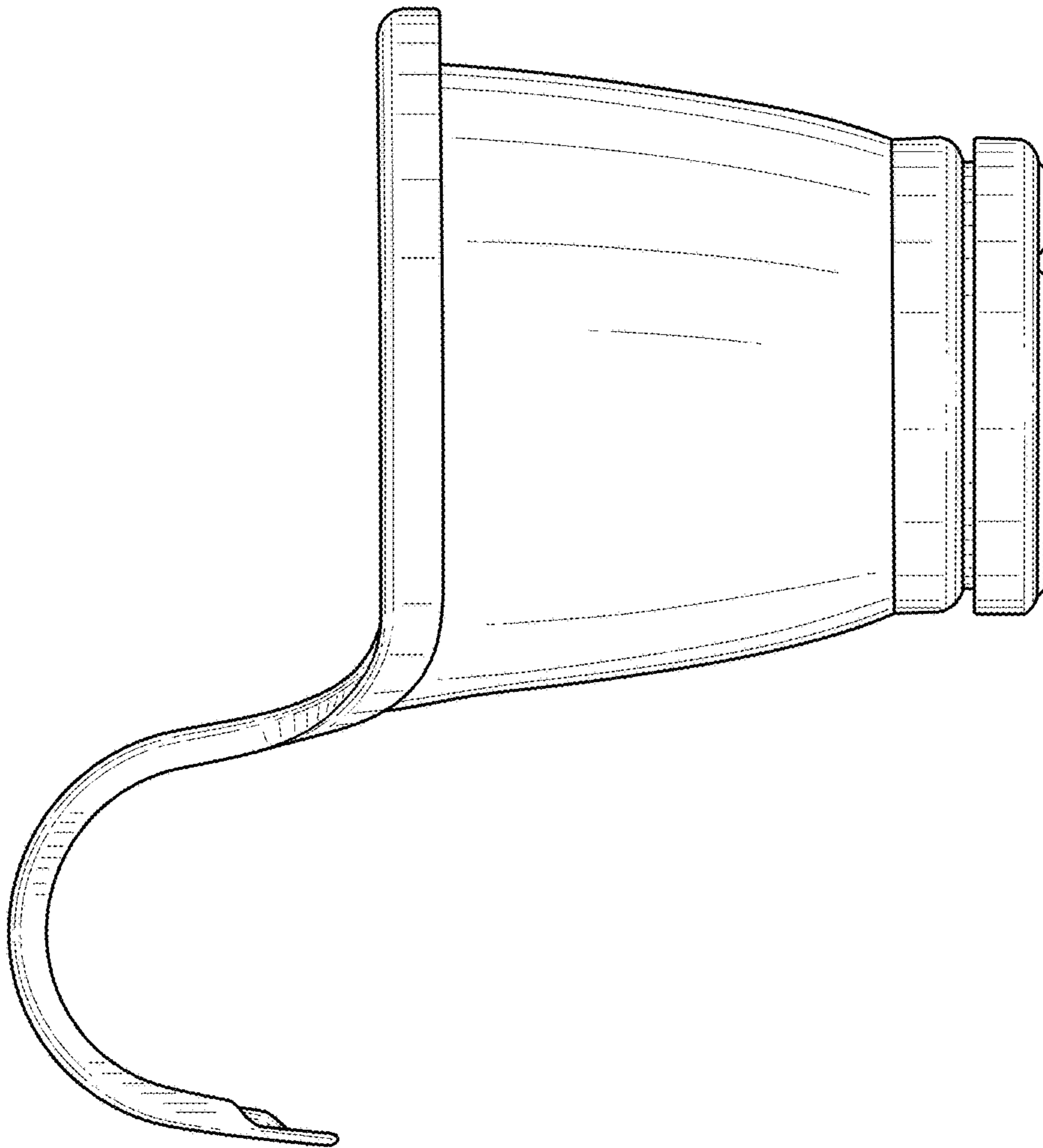


FIG. 4

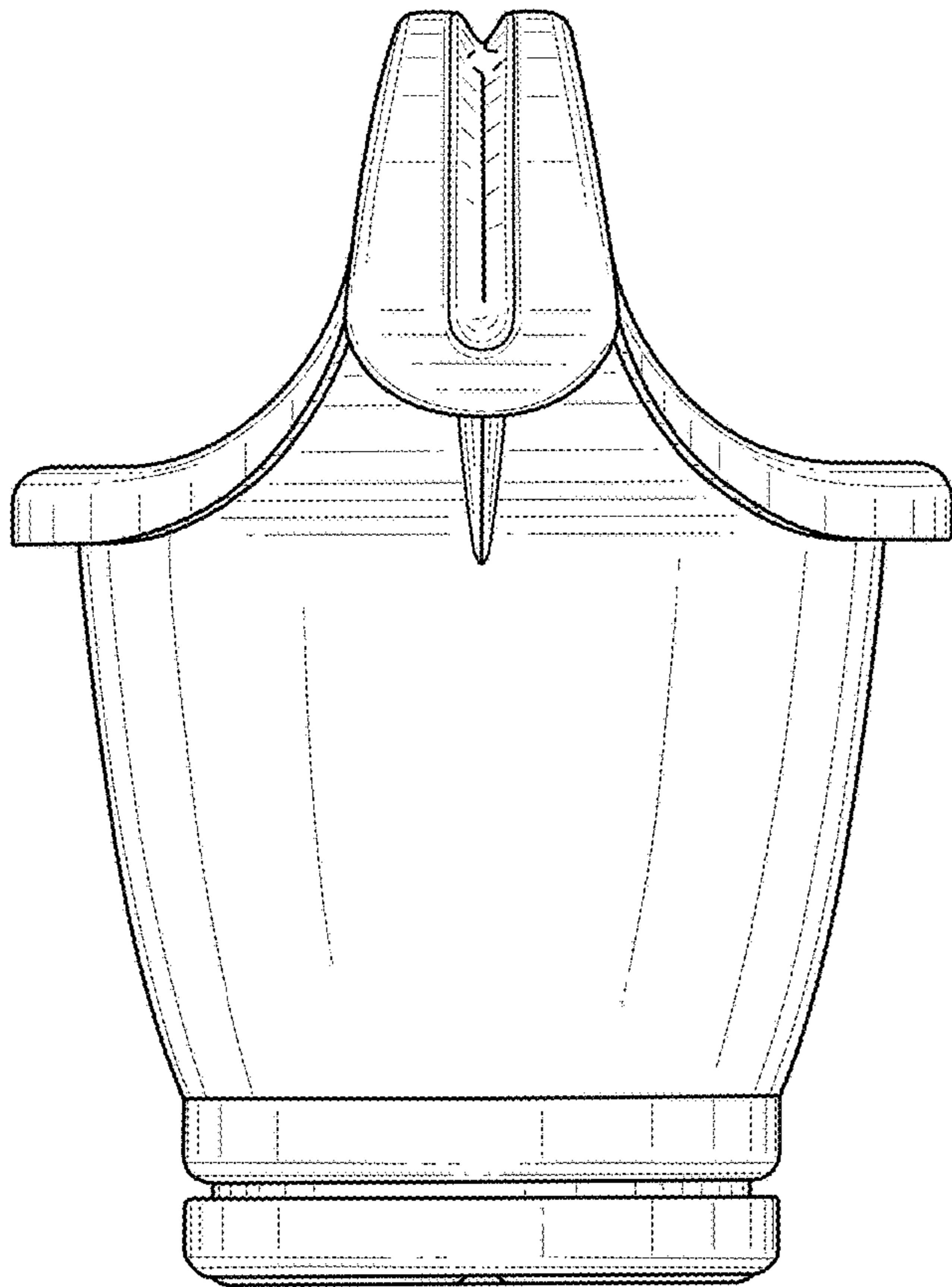


FIG. 5

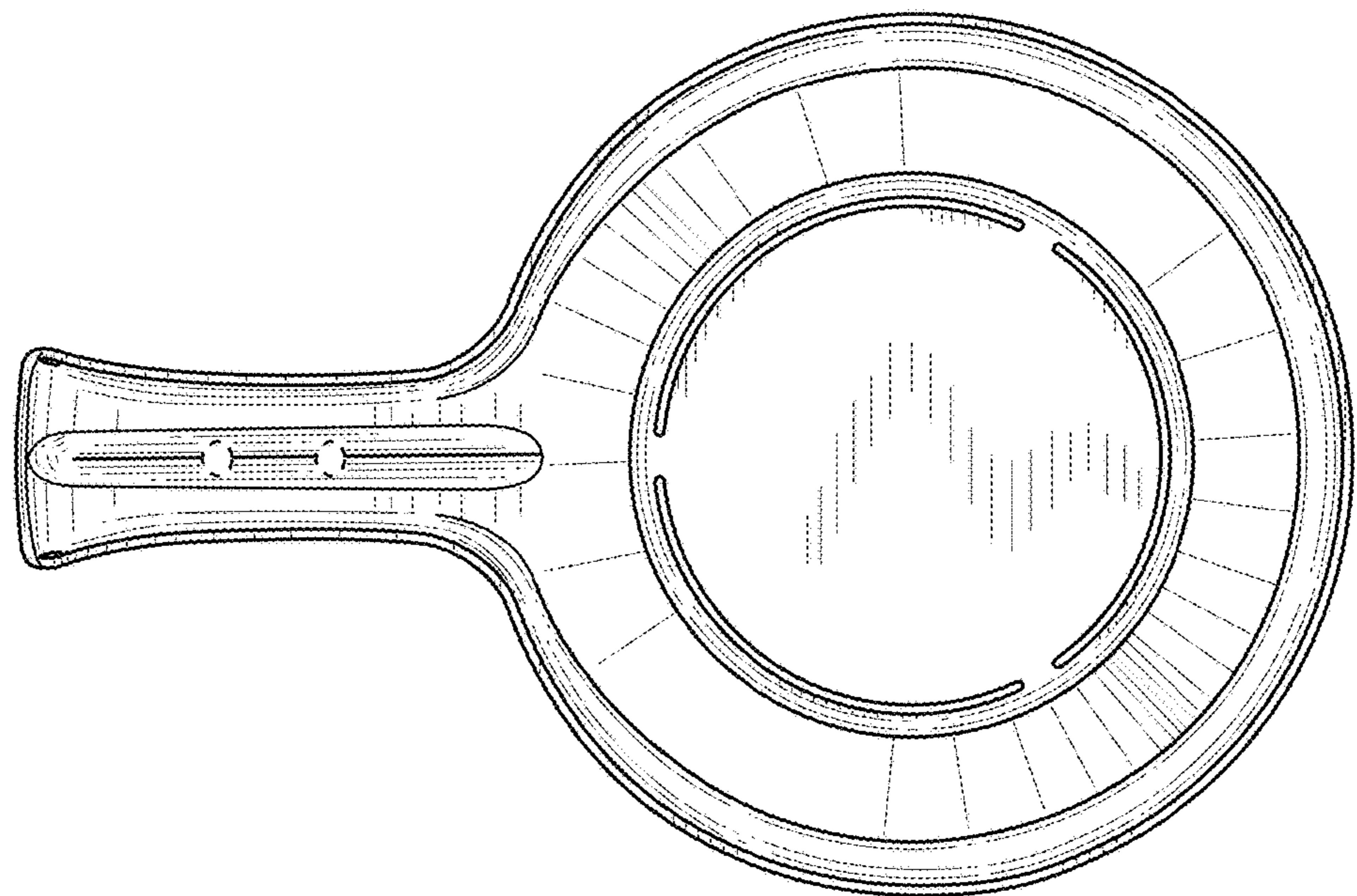


FIG. 6