



US00D821912S

(12) **United States Design Patent**
Ke

(10) **Patent No.:** **US D821,912 S**
(45) **Date of Patent:** **** Jul. 3, 2018**

- (54) **WATCH BAND ADAPTER**
- (71) Applicant: **Shenzhen Xianyang E-commerce Co., Ltd.**, Shenzhen, Guangdong (CN)
- (72) Inventor: **Huiyi Ke**, Guangdong (CN)
- (73) Assignee: **Jianhua Zhang**, Maoming (CN)
- (**) Term: **15 Years**
- (21) Appl. No.: **29/596,681**
- (22) Filed: **Mar. 10, 2017**
- (51) **LOC (11) Cl.** **11-01**
- (52) **U.S. Cl.**
USPC **D11/94**
- (58) **Field of Classification Search**
USPC D11/87, 86, 93, 94, 1-3, 12; D10/30-32, D10/38, 39; 224/164-166, 175, 178, 179; 59/3, 78, 79.2, 80, 82, 83; 63/3, 3.1, 3.2, 63/10, 11, 15, 15.7, 18, 21, 23; 24/265 WS, 265 BC, 71 J
CPC G04B 37/1493; G04B 37/1486; A44C 5/0069; A44C 5/02; A44C 5/04; A44C 5/08; A44C 5/185; A44C 5/24; A44C 5/107; A44C 5/14; A44C 5/00; A44C 5/246; Y10T 24/2155; Y10T 24/44342; Y10T 24/47; Y10T 24/4718; Y10T 24/4782
See application file for complete search history.

- (56) **References Cited**
U.S. PATENT DOCUMENTS
1,750,667 A * 3/1930 Grasmere A44C 5/24 224/176
1,859,365 A * 5/1932 Johnson A44C 5/185 24/311
2,308,505 A * 1/1943 Geoffrion G04B 37/1486 24/265 B
4,182,153 A * 1/1980 Dawson B65D 85/40 206/223
D643,772 S * 8/2011 Mikkelsen D11/93
D727,198 S * 4/2015 Akana D11/3

- D727,787 S * 4/2015 Akana D11/94
- D731,346 S * 6/2015 Akana D11/3
- D739,780 S * 9/2015 Akana D11/3
- D747,234 S * 1/2016 Akana D11/3
- D748,008 S * 1/2016 Akana D11/94
- (Continued)

OTHER PUBLICATIONS

iWatch Apple Watch Strap Adapter (via DHgate), available Jul. 30, 2015, [online], [site visited Dec. 7, 2017]. Available from internet, <URL: <https://www.dhgate.com/store/product/iwatch-apple-watch-strap-adapter-connector/247941962.html>>.
(Continued)

Primary Examiner — Cathron C Brooks
Assistant Examiner — W. A. Teddy Falloway
(74) *Attorney, Agent, or Firm* — Law Offices of Steven W. Weinrieb

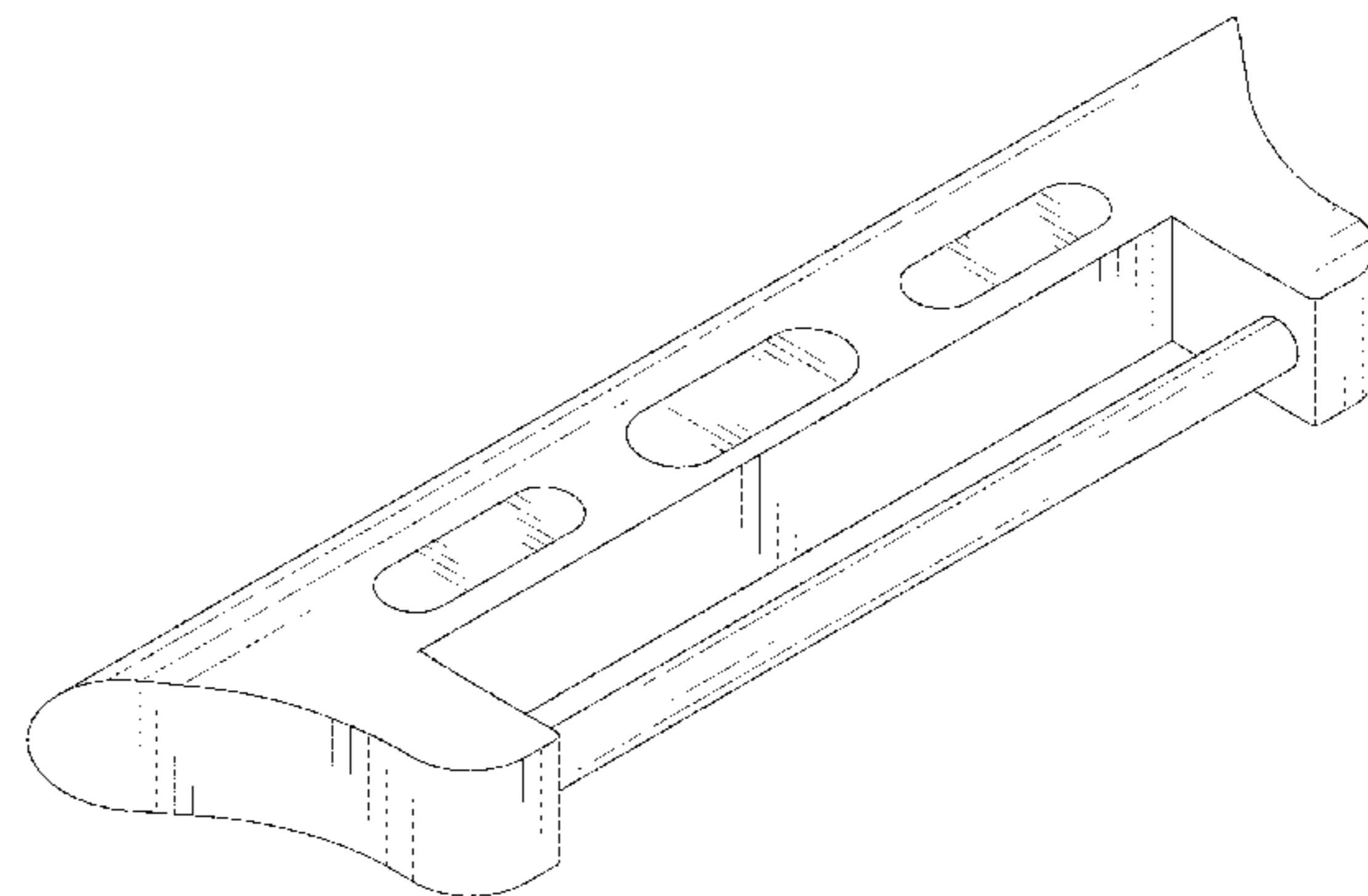
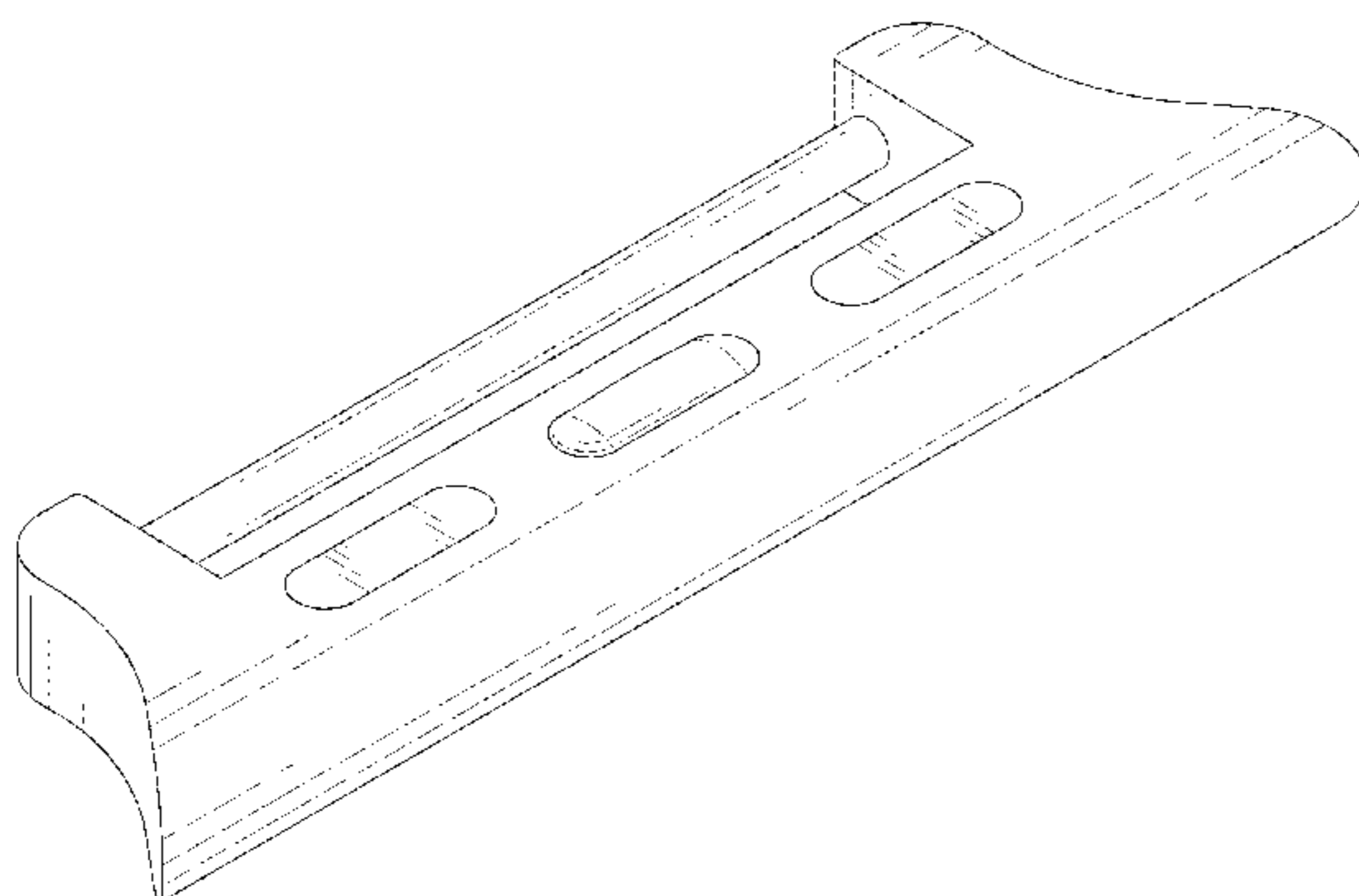
(57) **CLAIM**

The ornamental design for a watch band adapter, as shown and described.

DESCRIPTION

FIG. 1 is a top perspective view of a watch band adapter showing my new design;
FIG. 2 is a bottom perspective view thereof;
FIG. 3 is a front elevational view thereof;
FIG. 4 is a rear elevational view thereof;
FIG. 5 is a left side view thereof;
FIG. 6 is a right side view thereof;
FIG. 7 is a top plan view thereof;
FIG. 8 is a bottom plan view thereof; and,
FIG. 9 is a perspective view showing the watch band adapter in a use state.
The broken lines shown in FIG. 9 illustrate environmental structure and form no part of the claimed design.

1 Claim, 8 Drawing Sheets



(56)

References Cited

U.S. PATENT DOCUMENTS

D748,009 S * 1/2016 Akana D11/94
 D748,010 S * 1/2016 Akana D11/94
 D748,527 S * 2/2016 Akana D11/94
 D749,460 S * 2/2016 Akana D11/94
 D749,977 S * 2/2016 Akana D11/3
 D750,524 S * 3/2016 Akana D11/3
 D750,525 S * 3/2016 Akana D11/3
 D761,688 S * 7/2016 Akana D11/94
 D761,689 S * 7/2016 Akana D11/94
 D762,515 S * 8/2016 Akana D11/94
 D763,123 S * 8/2016 Akana D11/94
 D763,124 S * 8/2016 Akana D11/94
 D763,125 S * 8/2016 Akana D11/94
 D763,126 S * 8/2016 Akana D11/94
 D763,127 S * 8/2016 Akana D11/94
 D763,128 S * 8/2016 Akana D11/94
 D763,724 S * 8/2016 Akana D11/94
 D763,725 S * 8/2016 Akana D11/94
 D763,726 S * 8/2016 Akana D11/94
 D764,347 S * 8/2016 Akana D11/94
 D764,964 S * 8/2016 Akana D11/94
 D764,965 S * 8/2016 Akana D11/94
 D764,966 S * 8/2016 Akana D11/94
 D764,967 S * 8/2016 Akana D11/94
 D768,025 S * 10/2016 Akana D11/3
 D768,030 S * 10/2016 Akana D11/231
 D777,600 S * 1/2017 Lee D11/87
 D781,171 S * 3/2017 Akana D11/3
 D786,127 S * 5/2017 Akana D11/94
 D789,822 S * 6/2017 Akana D11/3
 D795,121 S * 8/2017 Akana D11/3

D798,760 S * 10/2017 Akana D11/3
 9,839,264 B2 * 12/2017 Schooley A44C 5/145
 2012/0082014 A1 * 4/2012 Lai G04B 37/1493
 368/282
 2016/0004222 A1 * 1/2016 Barnes G04B 37/1493
 368/281
 2017/0105493 A1 * 4/2017 Bravo A44C 5/0069

OTHER PUBLICATIONS

Blue NATO watch straps (via esprit-nato), available Sep. 15, 2016, [online], [site visited Dec. 28, 2017]. Available from internet, <URL: <http://www.esprit-nato.com/pt/>.*

Wearlizer Metal Watch Band Clasp, available Aug. 11, 2015, [online], [site visited Dec. 7, 2017]. Available from internet, <URL: <https://www.amazon.com/Wearlizer-connector-Models-Screw-driver-Install/dp/B011RQIIDQ>.*

Brushed Gold Adapters for Apple Watch, available Jul. 29, 2016, [online], [site visited Dec. 7, 2017]. Available from internet, <URL: <https://web.archive.org/web/20160729022717/https://www.clockworksynergy.com/shop/accessories/apple-watch-adapters/brushed-gold-adapters-apple-watch/>.*

Adapters for 42mm Apple Watch, available Jun. 27, 2017, [online], [site visited Dec. 7, 2017]. Available from internet, <URL: <https://web.archive.org/web/20170627230137/https://www.clockworksynergy.com/shop/accessories/apple-watch-adapters/adapters-apple-watch-22mm/>.*

Single Shoulder Spring Bar, Watch Pins and Watch Band Pins (via esslinger.com), available Jun. 12, 2014, [online], [site visited Dec. 28, 2017]. Available from internet, <URL: <https://blog.esslinger.com/watch-band-pin-illustrations/>.*

* cited by examiner

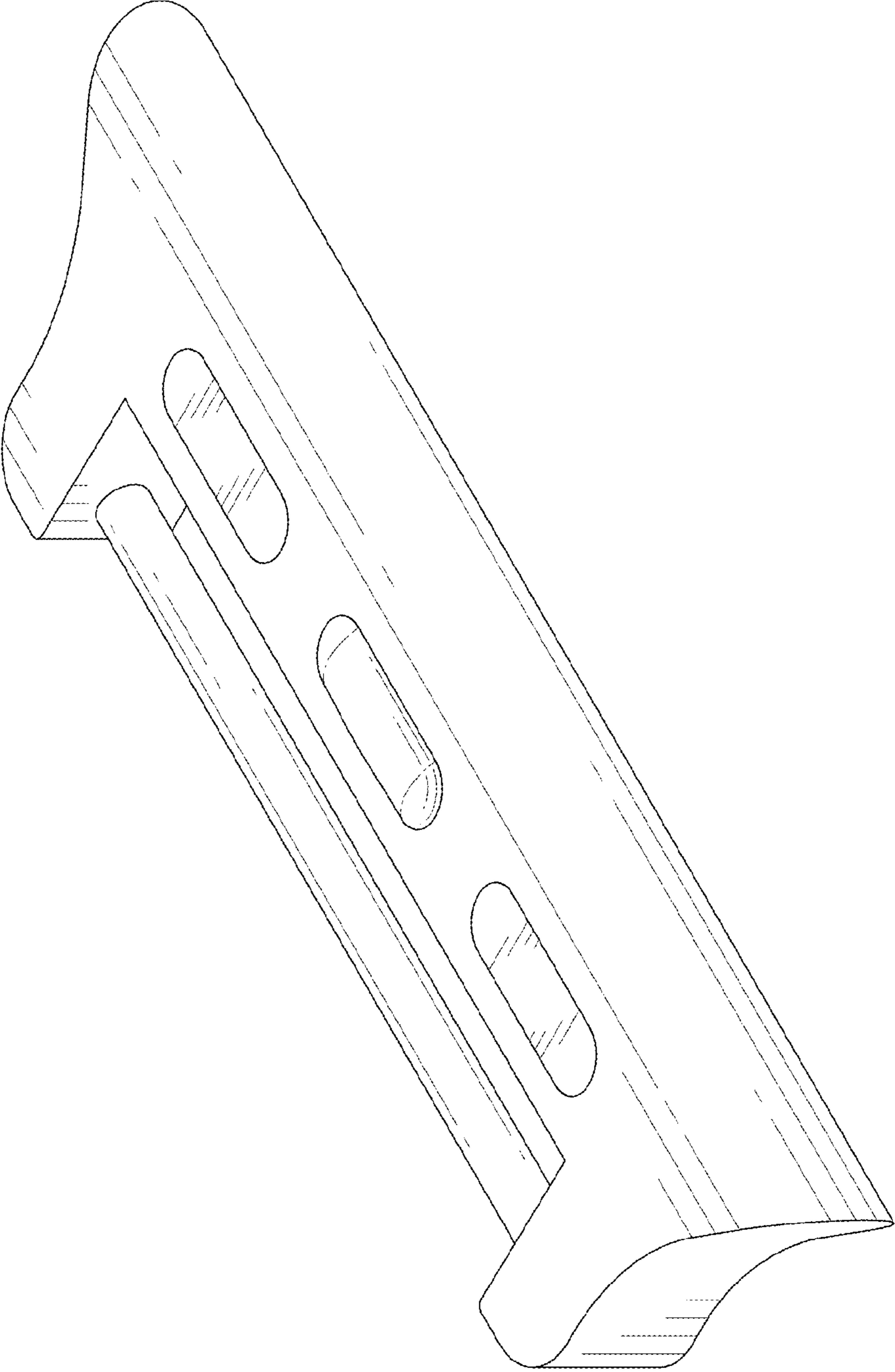


FIG. 1

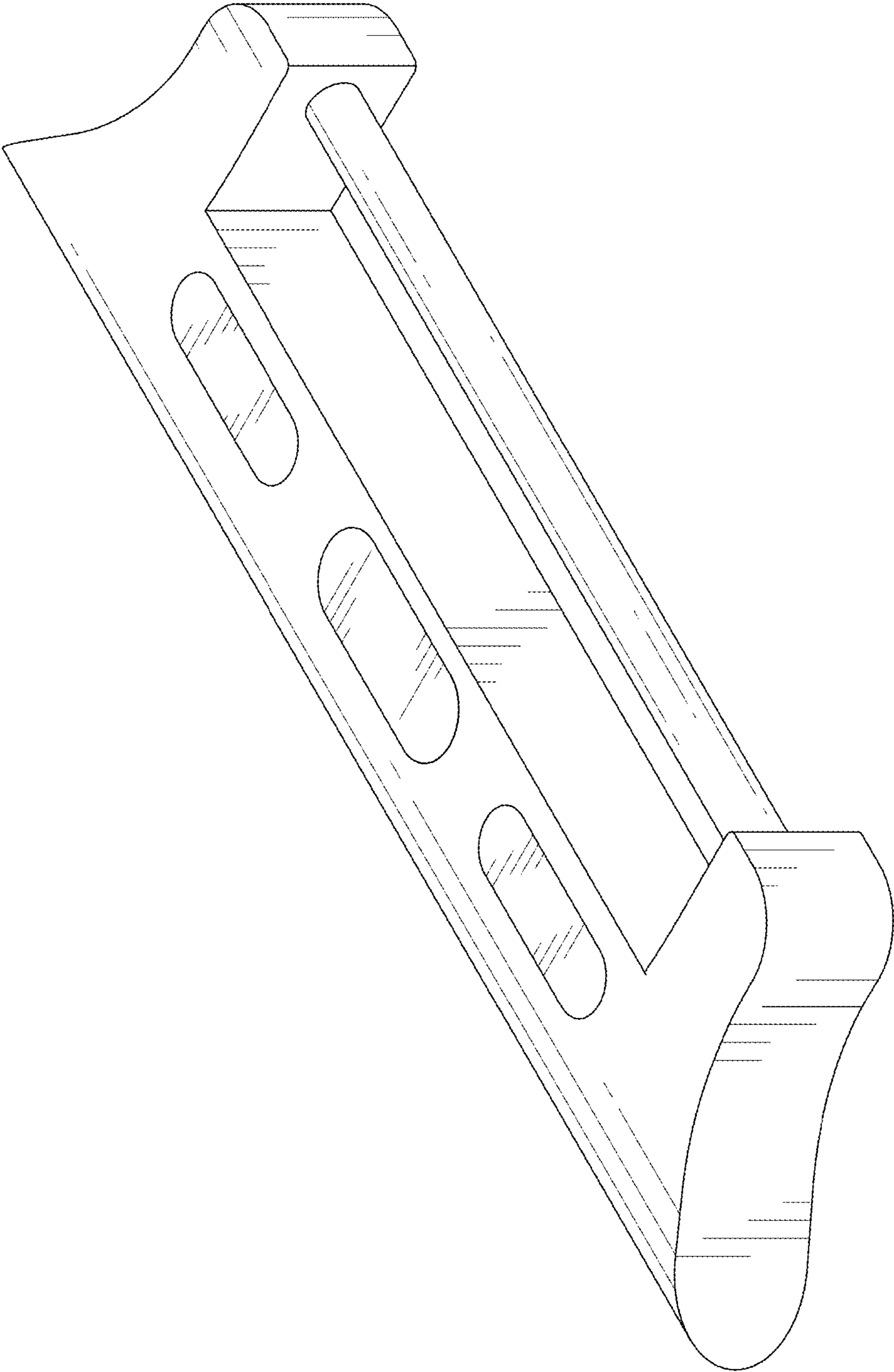


FIG. 2

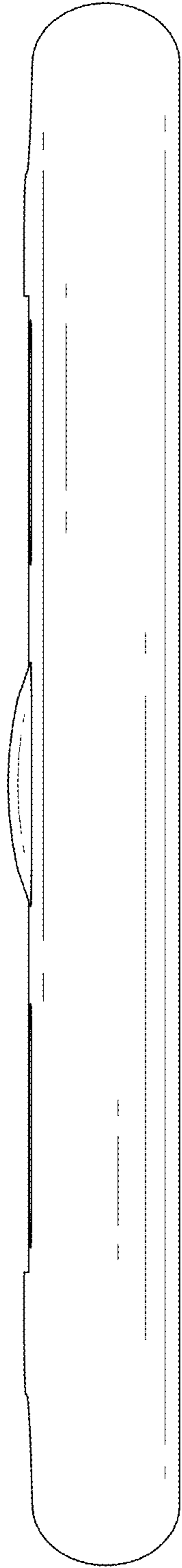


FIG. 3

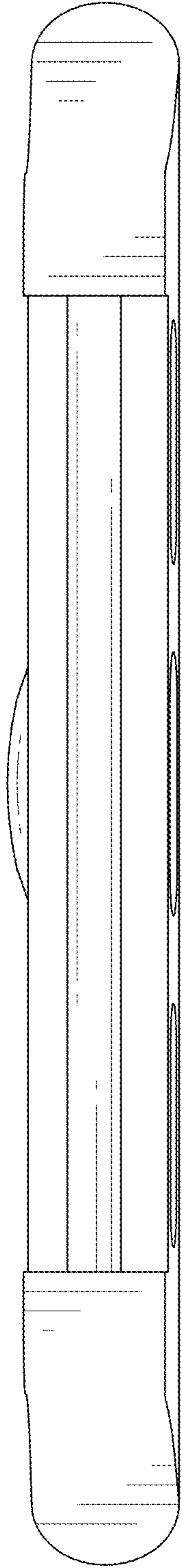


FIG. 4

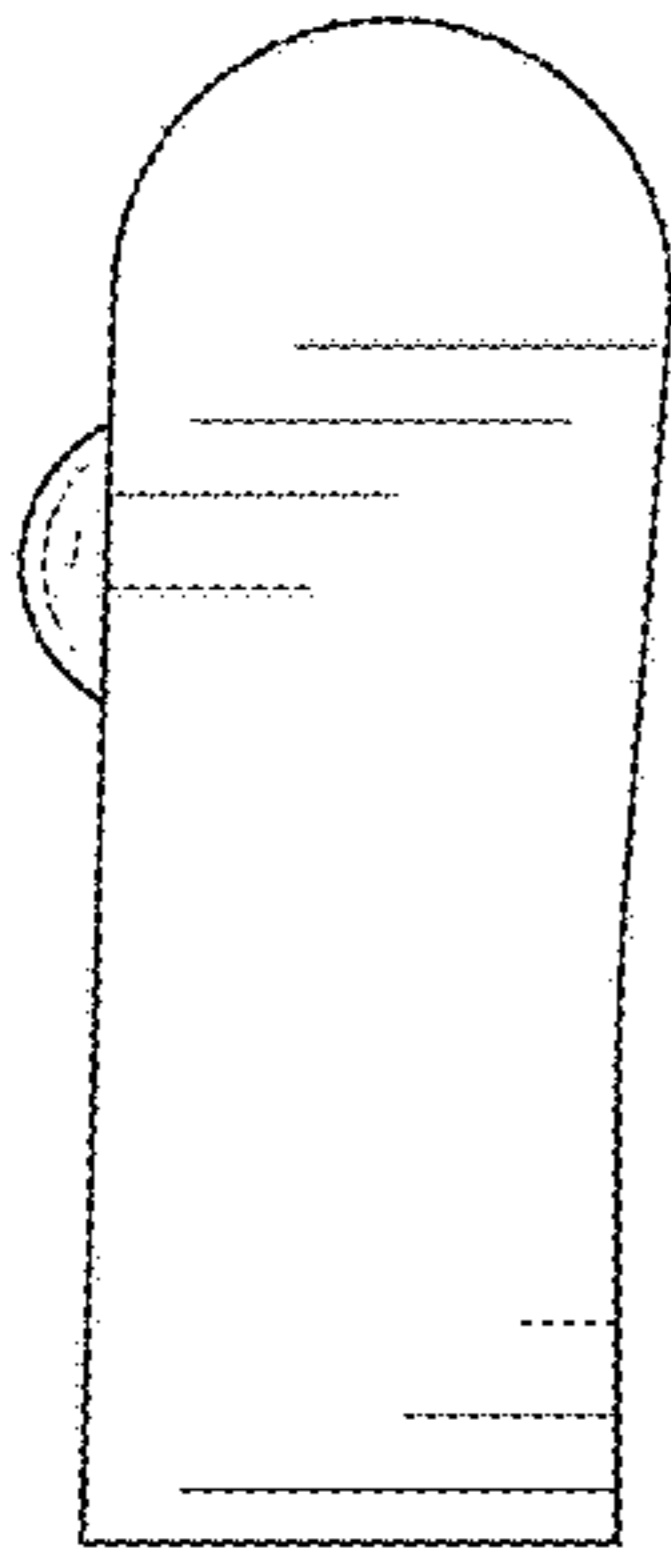


FIG. 5

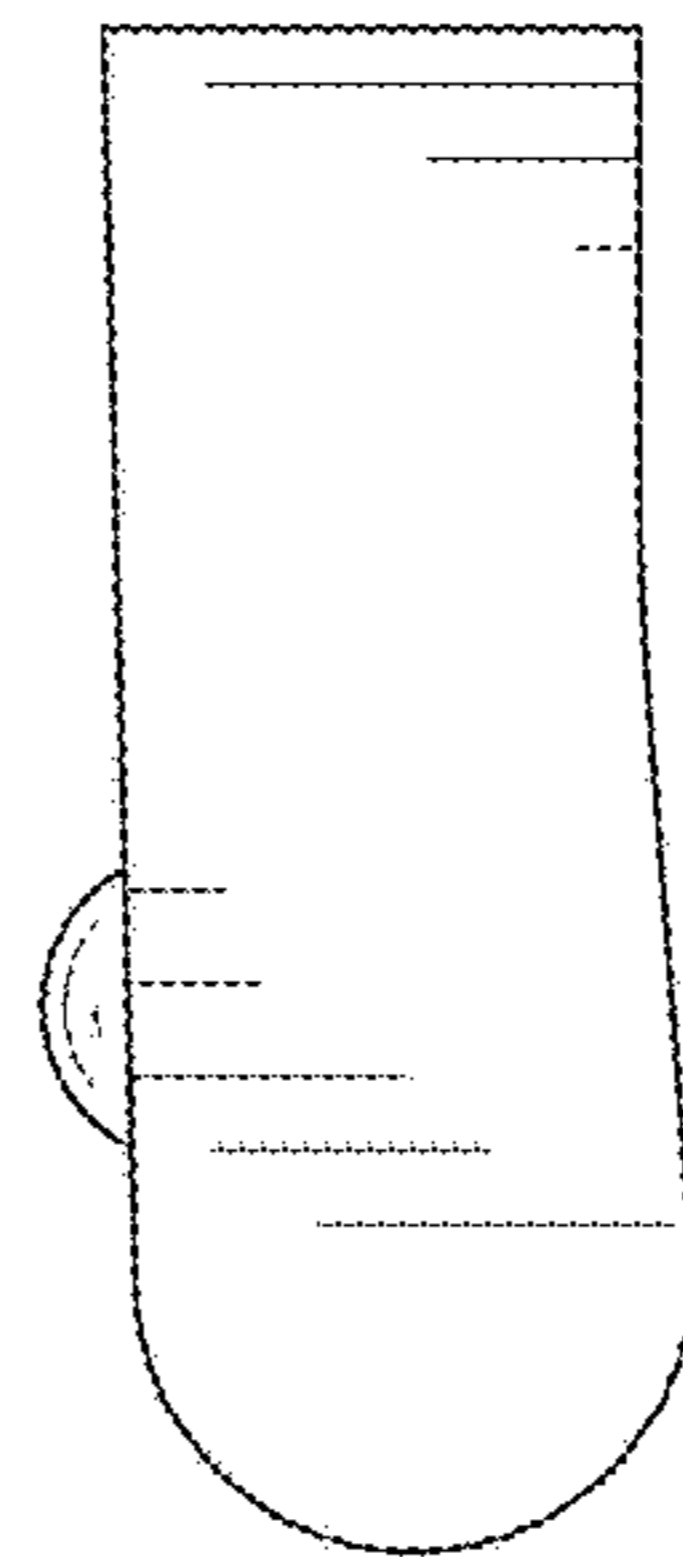


FIG. 6

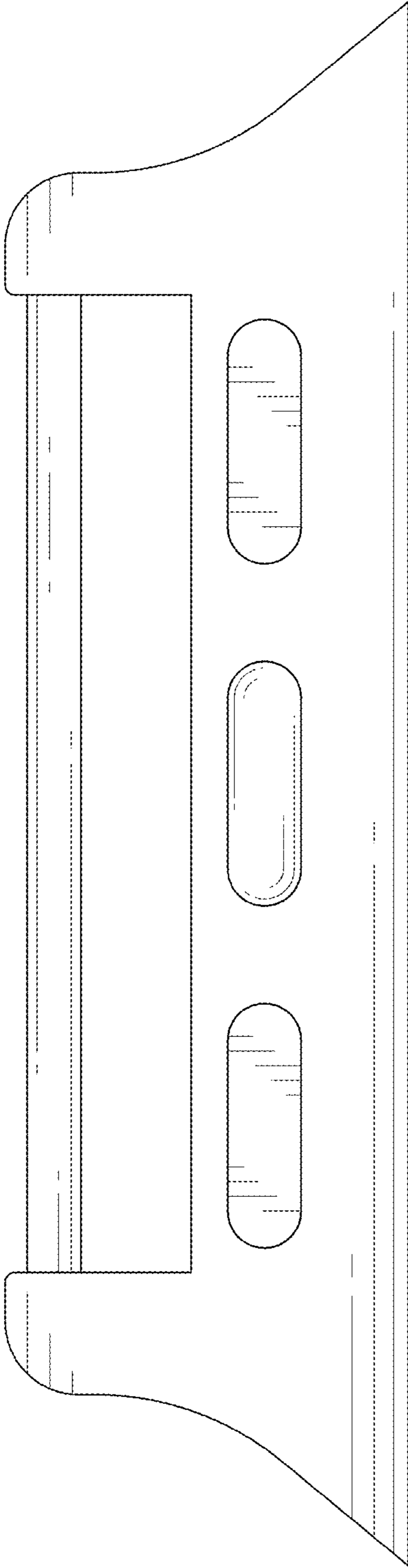


FIG. 7

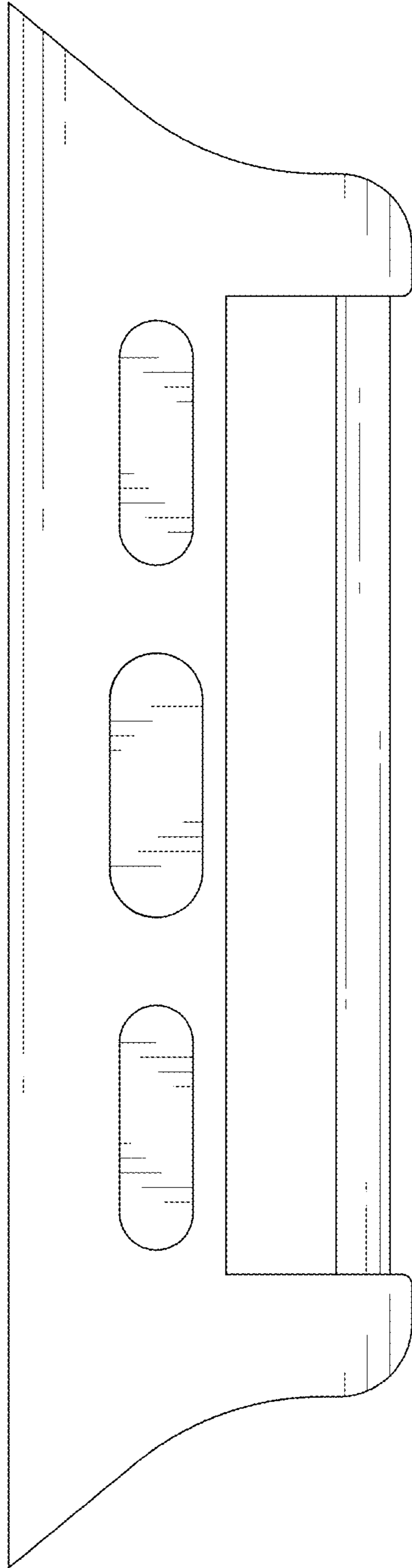


FIG. 8

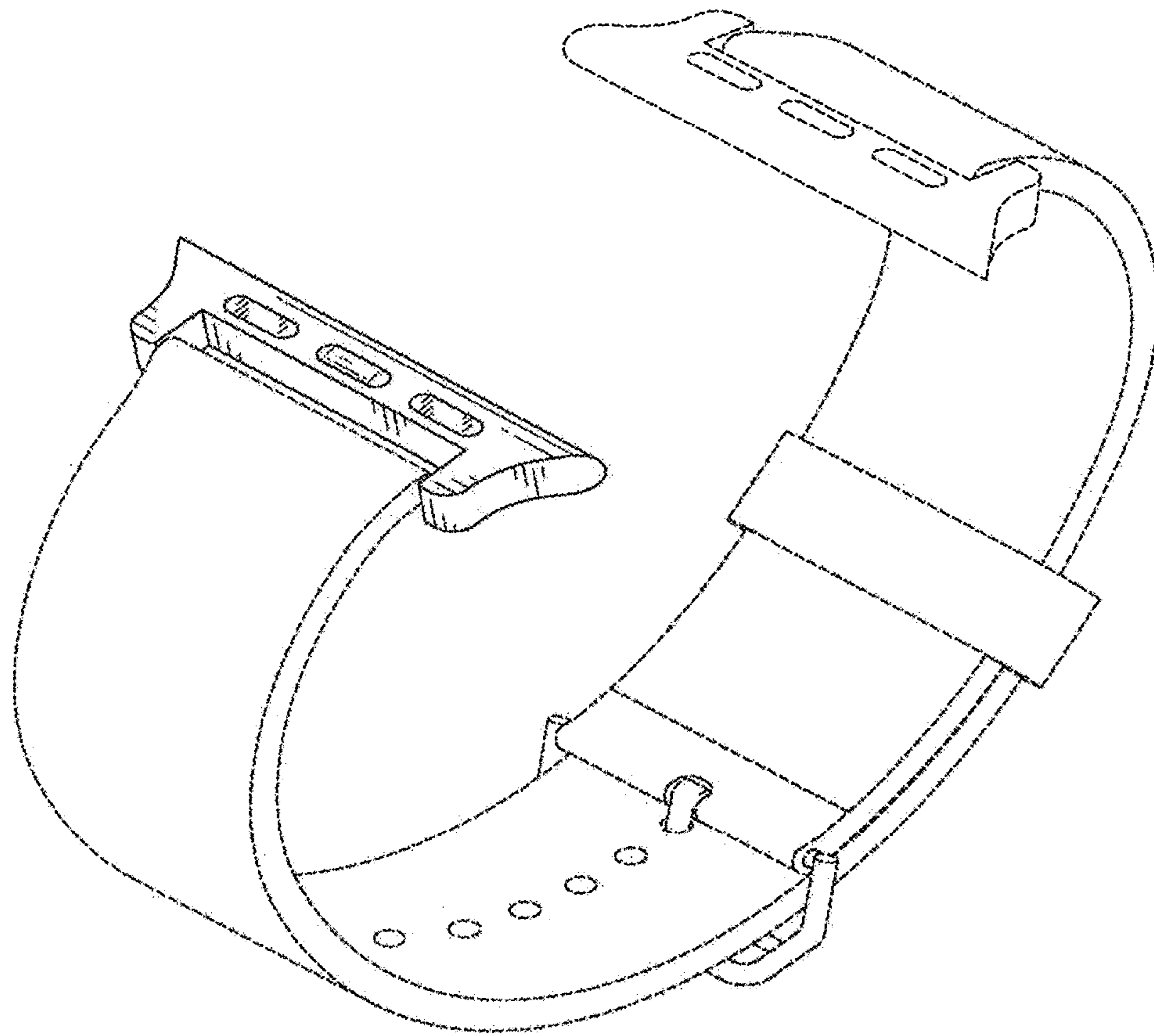


FIG. 9