

US00D821905S

(12) **United States Design Patent** (10) **Patent No.:** **US D821,905 S**  
**Ruffieux** (45) **Date of Patent:** **\*\* Jul. 3, 2018**

(54) **WATCH DIAL**  
(71) Applicant: **Montblanc-Simplo GmbH**, Hamburg (DE)  
(72) Inventor: **Leila Ruffieux**, Neuchatel (CH)  
(73) Assignee: **Montblanc-Simplo GmbH**, Hamburg (DE)  
(\*\*) Term: **15 Years**  
(21) Appl. No.: **29/587,793**  
(22) Filed: **Dec. 15, 2016**  
(51) **LOC (11) Cl.** ..... **10-07**  
(52) **U.S. Cl.**  
USPC ..... **D10/126**  
(58) **Field of Classification Search**  
USPC ..... D10/14, 30-39, 65, 70, 122-132;  
D14/344, 138 R; 368/127  
CPC ... G04F 1/00; G04F 1/06; G04F 1/063; G04F 7/06; G04F 7/0861; G04F 7/0871; G04F 7/08; G04F 7/0804; G04F 7/0842; G04F 7/0876; G04B 19/00; G04B 19/02; G04B 19/04; G04B 19/06; G04B 19/08; G04B 19/26; G04B 19/24; G04B 39/00; G04B 39/002; G04B 39/004; G04B 39/006; A01G 25/165; B05B 12/02  
See application file for complete search history.

D539,688 S \* 4/2007 Bolt ..... D10/126  
D594,352 S \* 6/2009 Belamich ..... D10/39  
D611,377 S \* 3/2010 Nataf ..... D10/126  
D616,782 S \* 6/2010 Chastaingt ..... D10/126  
D649,489 S \* 11/2011 Chastaingt ..... D10/126  
D650,296 S \* 12/2011 Laucella ..... D10/39  
D685,280 S \* 7/2013 Muller ..... D10/126  
D685,281 S \* 7/2013 Hamel ..... D10/126  
D725,834 S \* 3/2015 Ruffieux ..... D30/126  
D726,555 S \* 4/2015 Ruffieux ..... D10/126  
D734,177 S \* 7/2015 Kamilindi ..... D10/126  
D752,468 S \* 3/2016 Schneider ..... D10/126  
D761,680 S \* 7/2016 Plange ..... D10/126  
D762,127 S \* 7/2016 Jeannet ..... D10/126  
D768,019 S \* 10/2016 Lasserre ..... D10/126

\* cited by examiner

*Primary Examiner* — Sandra S Snapp  
*Assistant Examiner* — Katherine Glennon  
(74) *Attorney, Agent, or Firm* — Taft Stettinius & Hollister LLP

(56) **References Cited**  
U.S. PATENT DOCUMENTS  
3,258,907 A \* 7/1966 Hamblin ..... G04B 19/25373  
368/35  
5,181,190 A \* 1/1993 Kanzaki ..... G04C 17/00  
368/228  
7,120,091 B1 \* 10/2006 Lizzi ..... G04B 19/247  
368/37

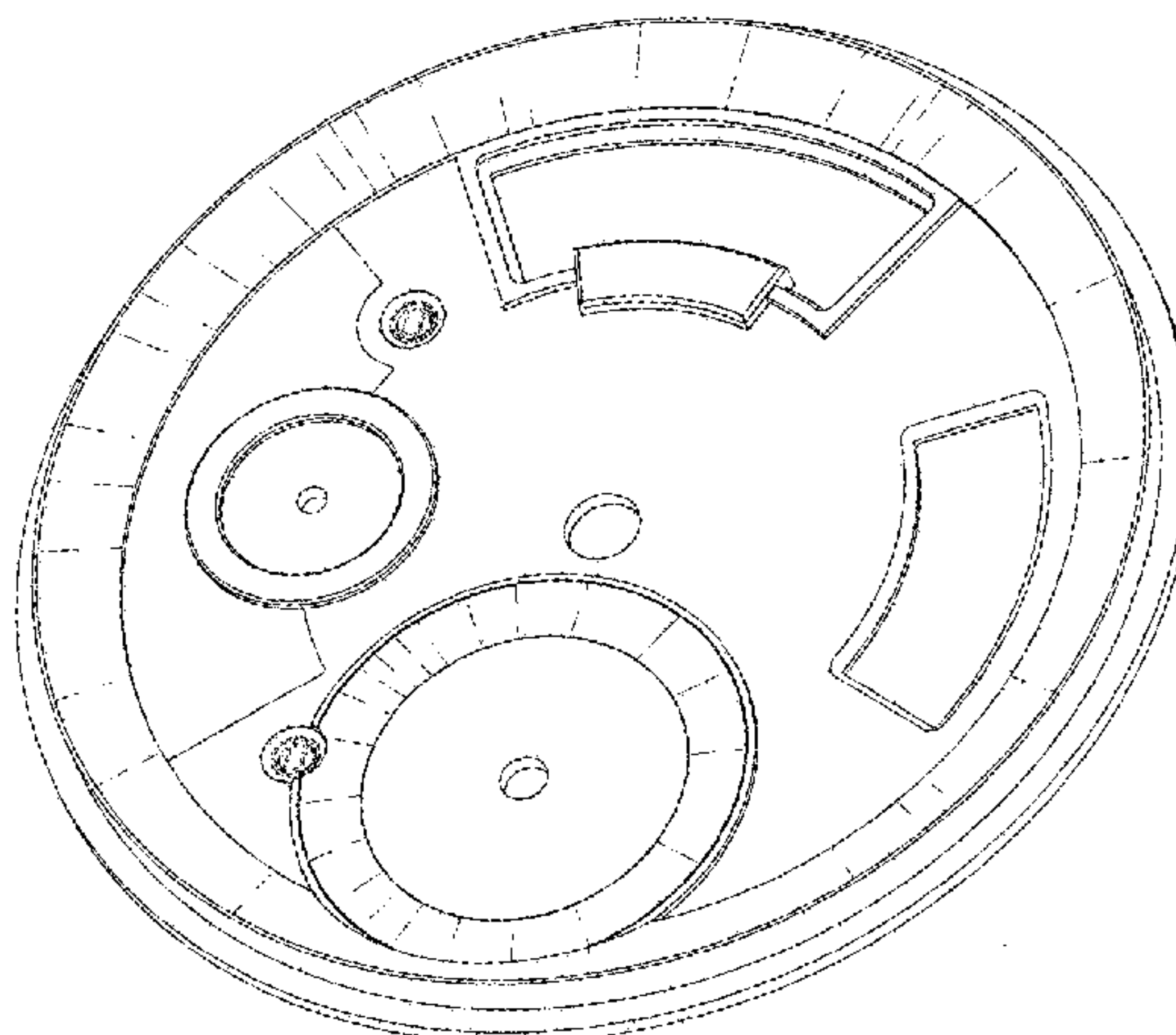
(57) **CLAIM**

The ornamental design for a watch dial, as shown and described.

**DESCRIPTION**

FIG. 1 is a top plan view of a watch dial showing my new design;  
FIG. 2 is a bottom plan view thereof;  
FIG. 3 is a right side elevational view thereof;  
FIG. 4 is a left side elevational view thereof;  
FIG. 5 is a front elevational view thereof;  
FIG. 6 is a rear elevational view thereof; and,  
FIG. 7 is a right, top perspective view thereof.  
The broken lines in the drawing figures depict unclaimed subject matter that form no part of the claimed design.

**1 Claim, 7 Drawing Sheets**



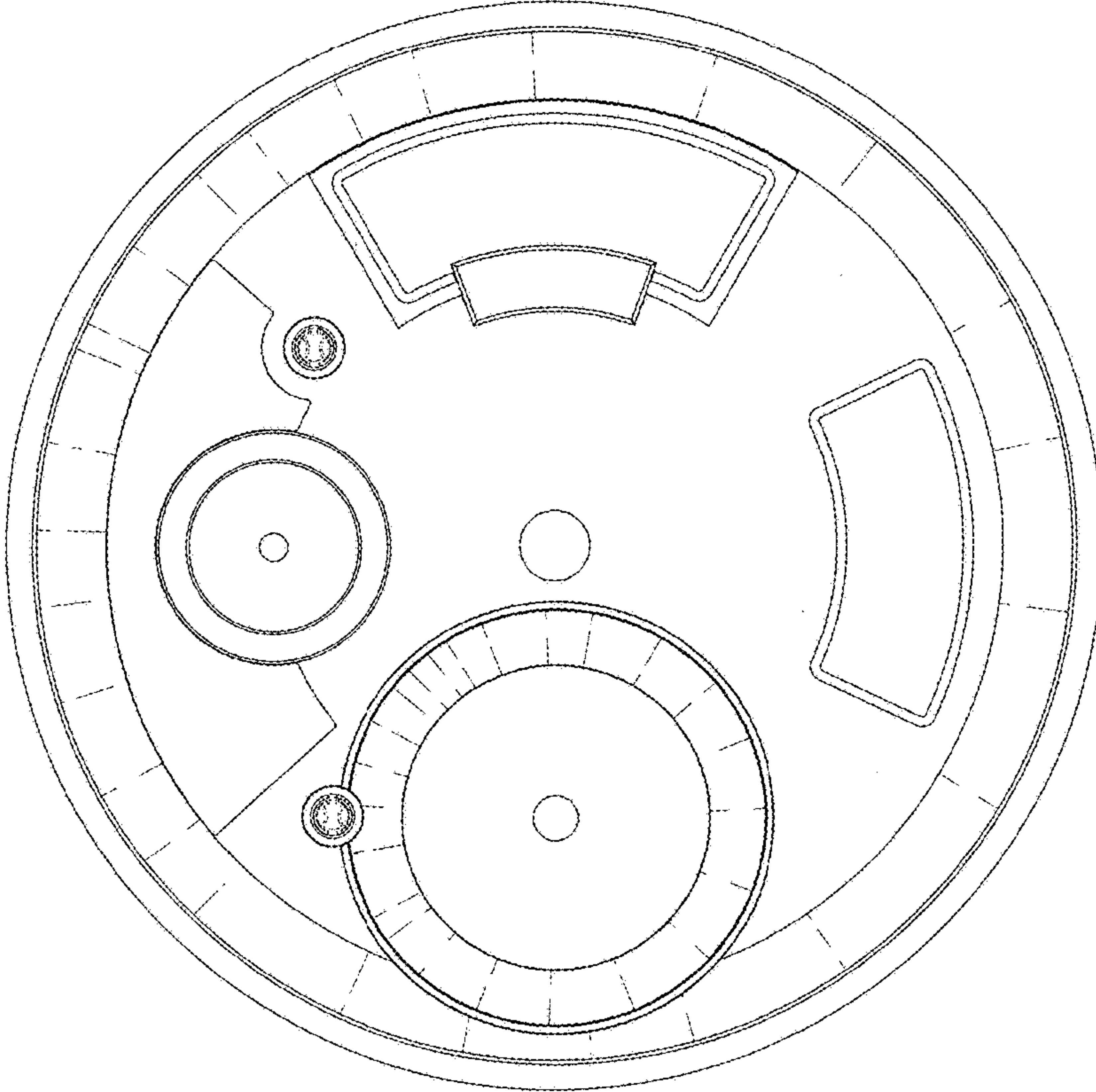


Fig. 1

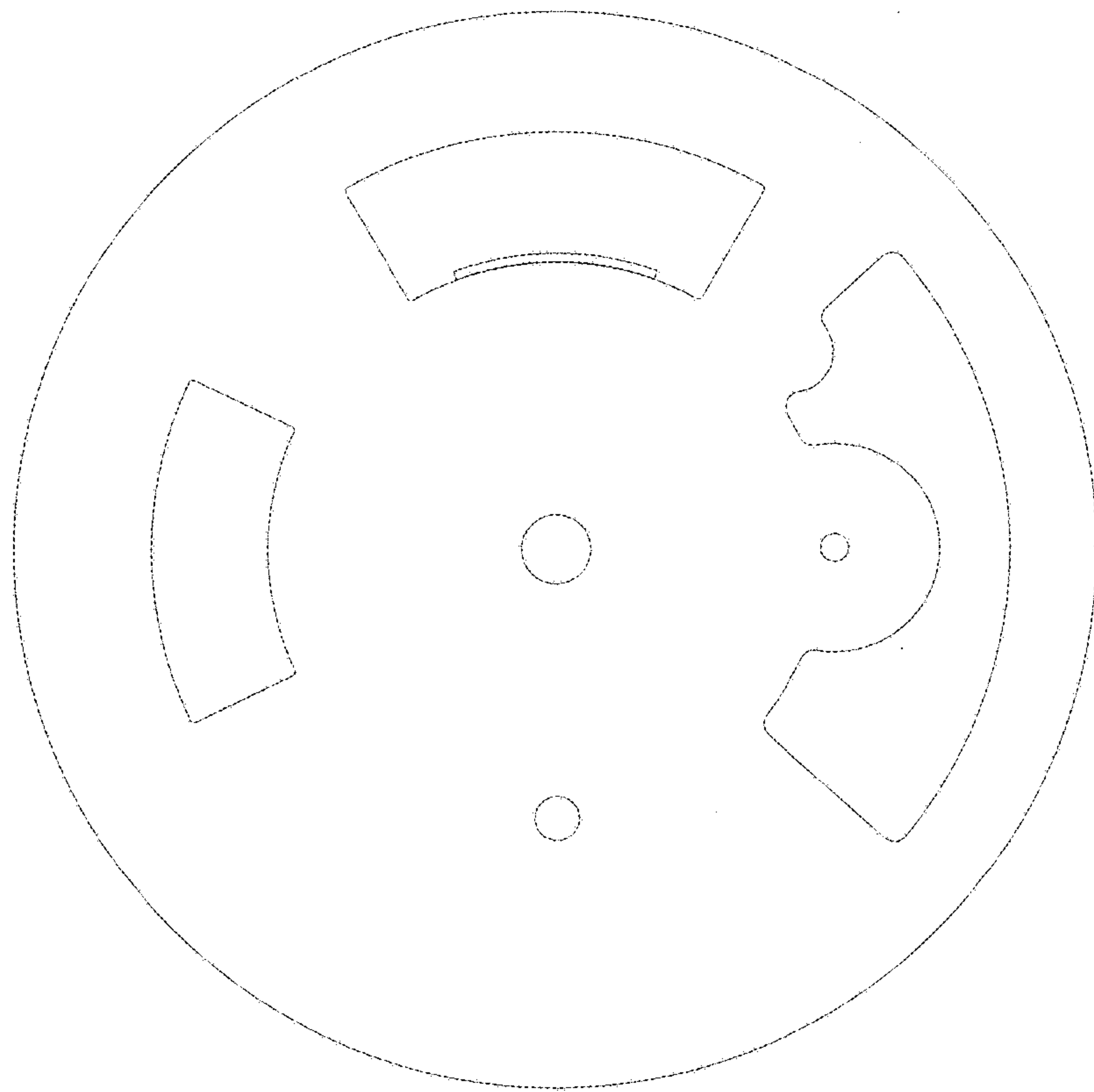


Fig. 2



Fig. 3

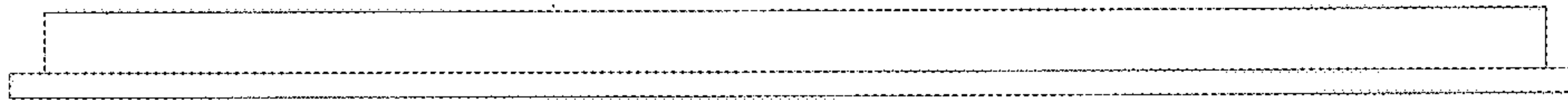


Fig. 4

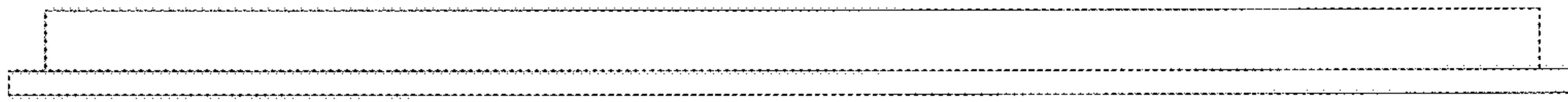


Fig. 5



Fig. 6

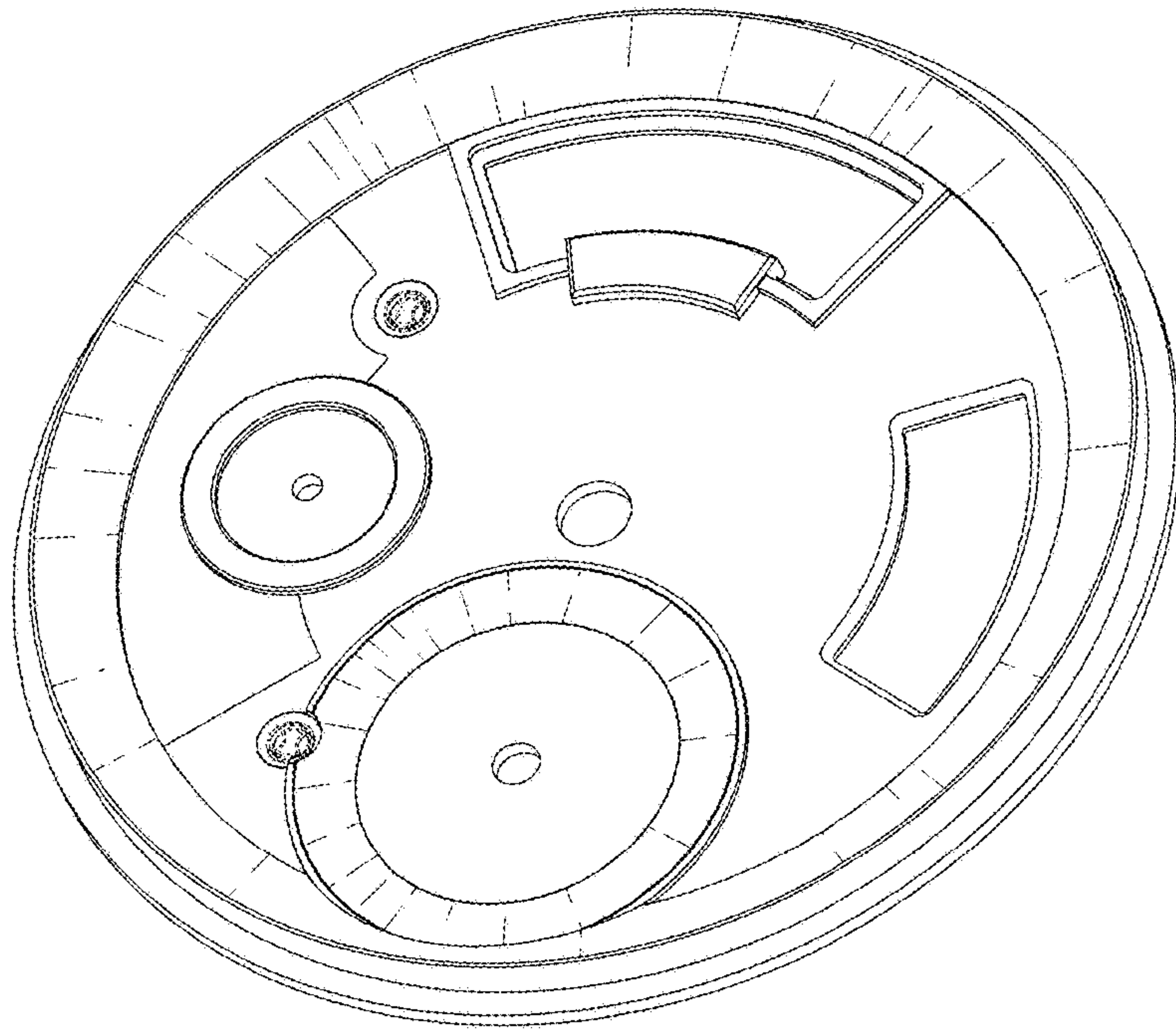


Fig. 7