



US00D821903S

(12) **United States Design Patent** (10) **Patent No.:** **US D821,903 S**
Hirose et al. (45) **Date of Patent:** **** Jul. 3, 2018**

(54) **SPECTROMETER**

(71) Applicant: **HAMAMATSU PHOTONICS K.K.**,
Shizuoka (JP)

(72) Inventors: **Masaki Hirose**, Hamamatsu (JP);
Katsumi Shibayama, Hamamatsu (JP);
Takashi Kasahara, Hamamatsu (JP);
Toshimitsu Kawai, Hamamatsu (JP);
Hiroki Oyama, Hamamatsu (JP); **Yumi Teramachi**, Hamamatsu (JP); **Takafumi Yokino**, Hamamatsu (JP); **Katsuhiko Kato**, Hamamatsu (JP)

(**) Term: **15 Years**

(21) Appl. No.: **35/502,896**

(22) Filed: **Oct. 25, 2016**

(80) **Hague Agreement Data**

Int. Filing Date: **Oct. 25, 2016**
Int. Reg. No.: **DM/093510**
Int. Reg. Date: **Oct. 25, 2016**
Int. Reg. Pub. Date: **Apr. 28, 2017**

(30) **Foreign Application Priority Data**

May 30, 2016 (JP) 2016-011436

(51) **LOC (11) Cl.** **10-04**

(52) **U.S. Cl.**
USPC **D10/81**

(58) **Field of Classification Search**
USPC D10/81, 47; D13/158, 159, 160
See application file for complete search history.

(56) **References Cited**

U.S. PATENT DOCUMENTS

D603,280 S * 11/2009 Shibayama D10/81
D603,729 S * 11/2009 Shibayama D10/81

D603,730 S * 11/2009 Shibayama D10/81
D603,731 S * 11/2009 Shibayama D10/81
D730,217 S * 5/2015 Yokino D10/81
D733,599 S * 7/2015 Yokino D10/81
D744,878 S * 12/2015 Yokino D10/46

* cited by examiner

Primary Examiner — George D. Kirschbaum

(57) **CLAIM**

The ornamental design for a spectrometer, as shown and described.

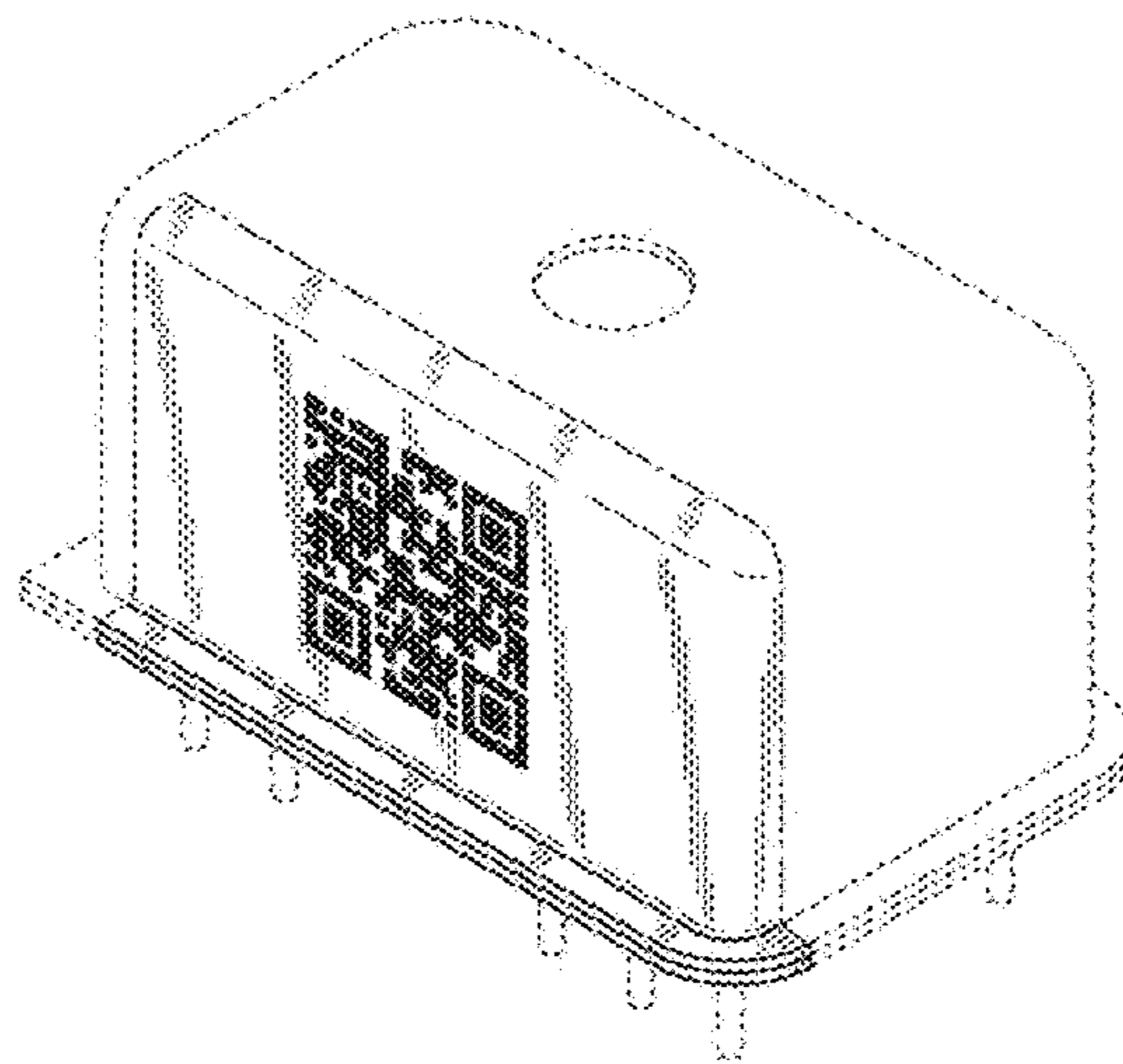
DESCRIPTION

1. Spectrometer
1.1 : Perspective
1.2 : Front
1.3 : Back
1.4 : Top
1.5 : Bottom
1.6 : Left
1.7 : Right
1.8 : Partial enlarged vertical sectional view
1.9 : Partial enlarged front view
1.10 : Partial enlarged perspective view

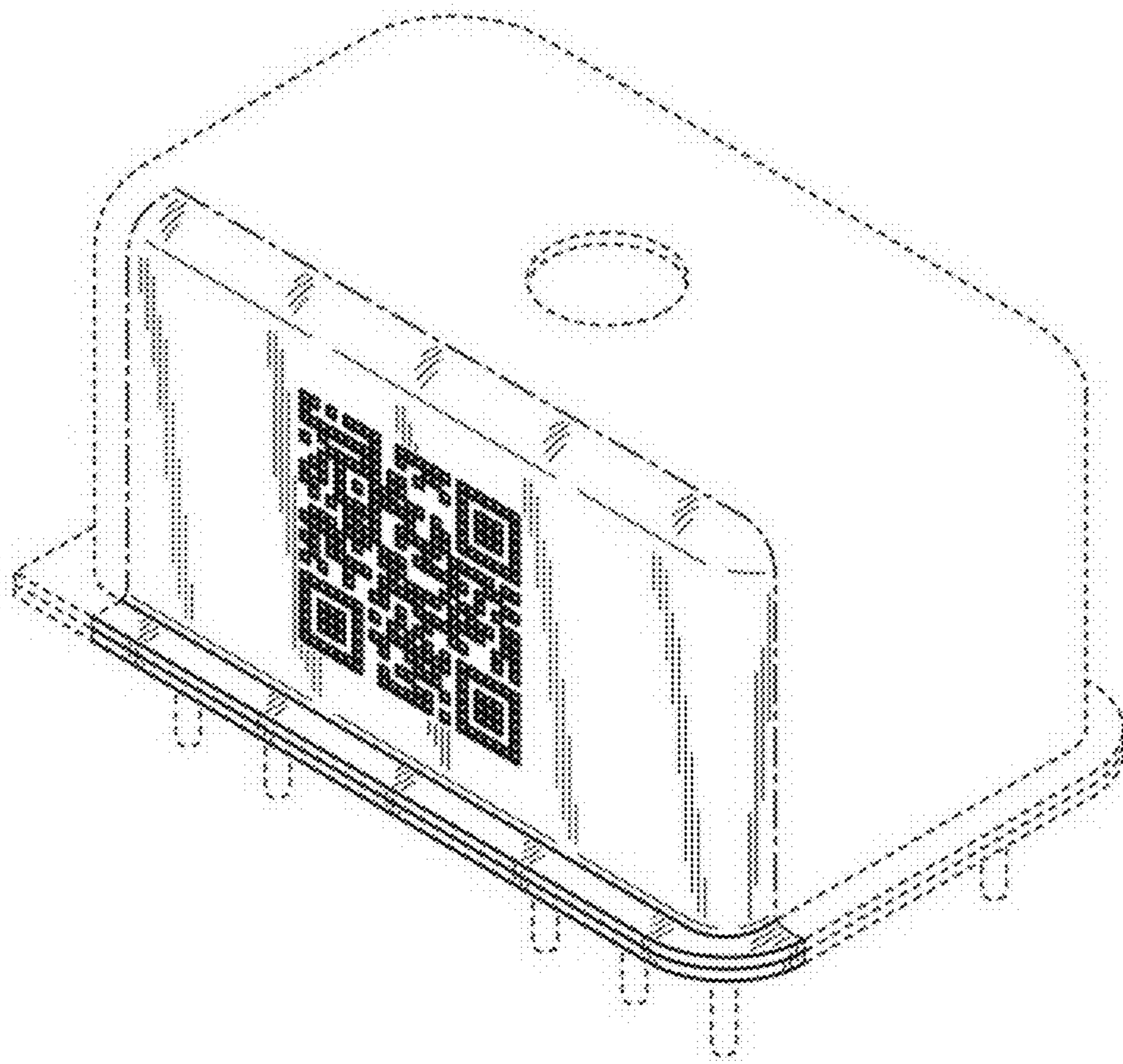
The broken line showing is included for the purpose of illustrating portions of the “article” and forms no part of the claimed design. The dash-dot-dash lines represent the boundary of the claimed design.

This article is a micro spectrometer used in a wide range of applications; the article has a two-dimensional code on the flat front surface of the housing; the parts shown as solid lines are parts for which design registration is sought; the alternating long and short dashed lines in the drawings only indicate lines dividing our inventive design claimed herein from other parts which are not claimed; reproduction **1.8** is a partial enlarged vertical cross-sectional view through the two-dimensional code of reproduction **1.2**.

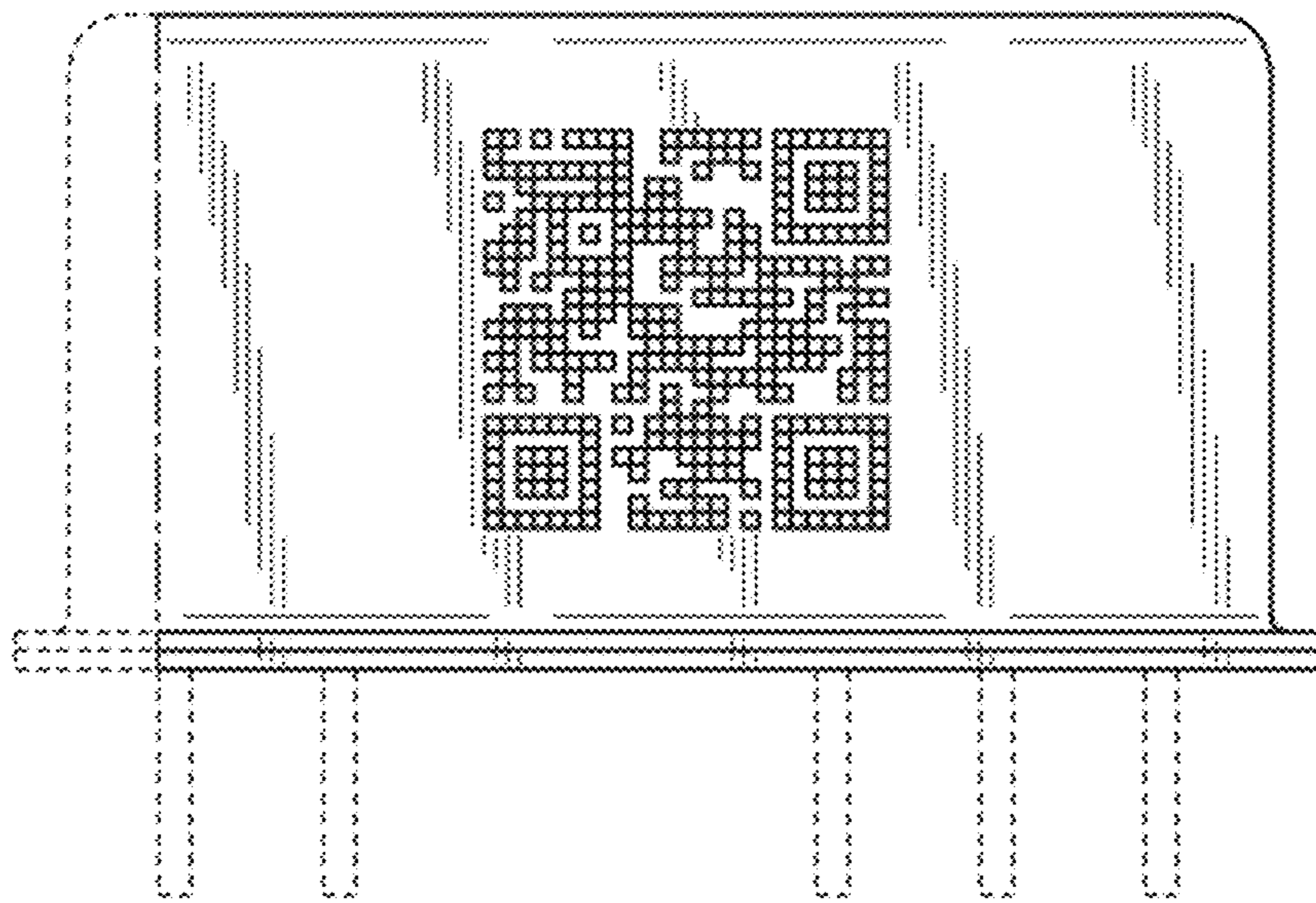
1 Claim, 10 Drawing Sheets



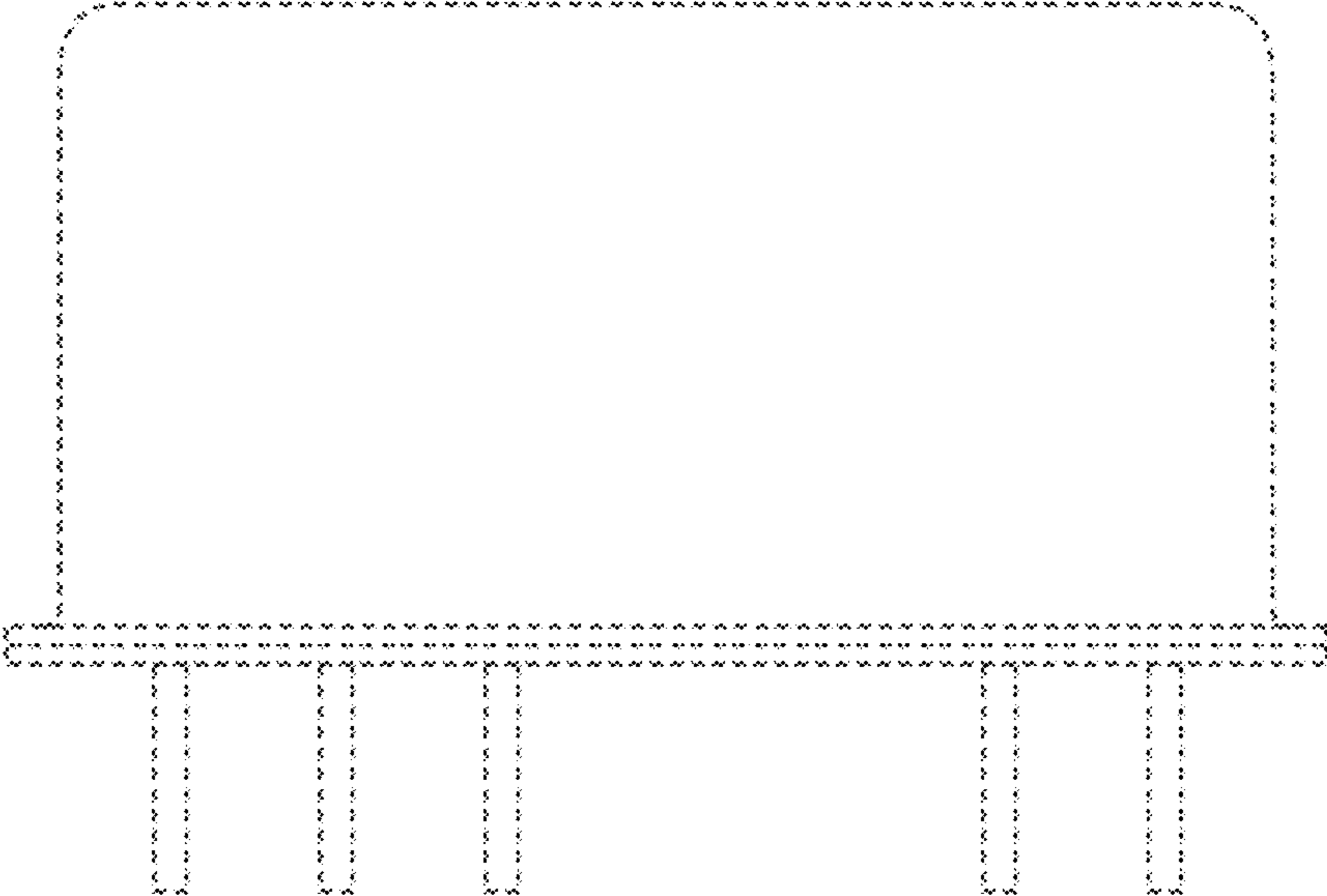
1.1



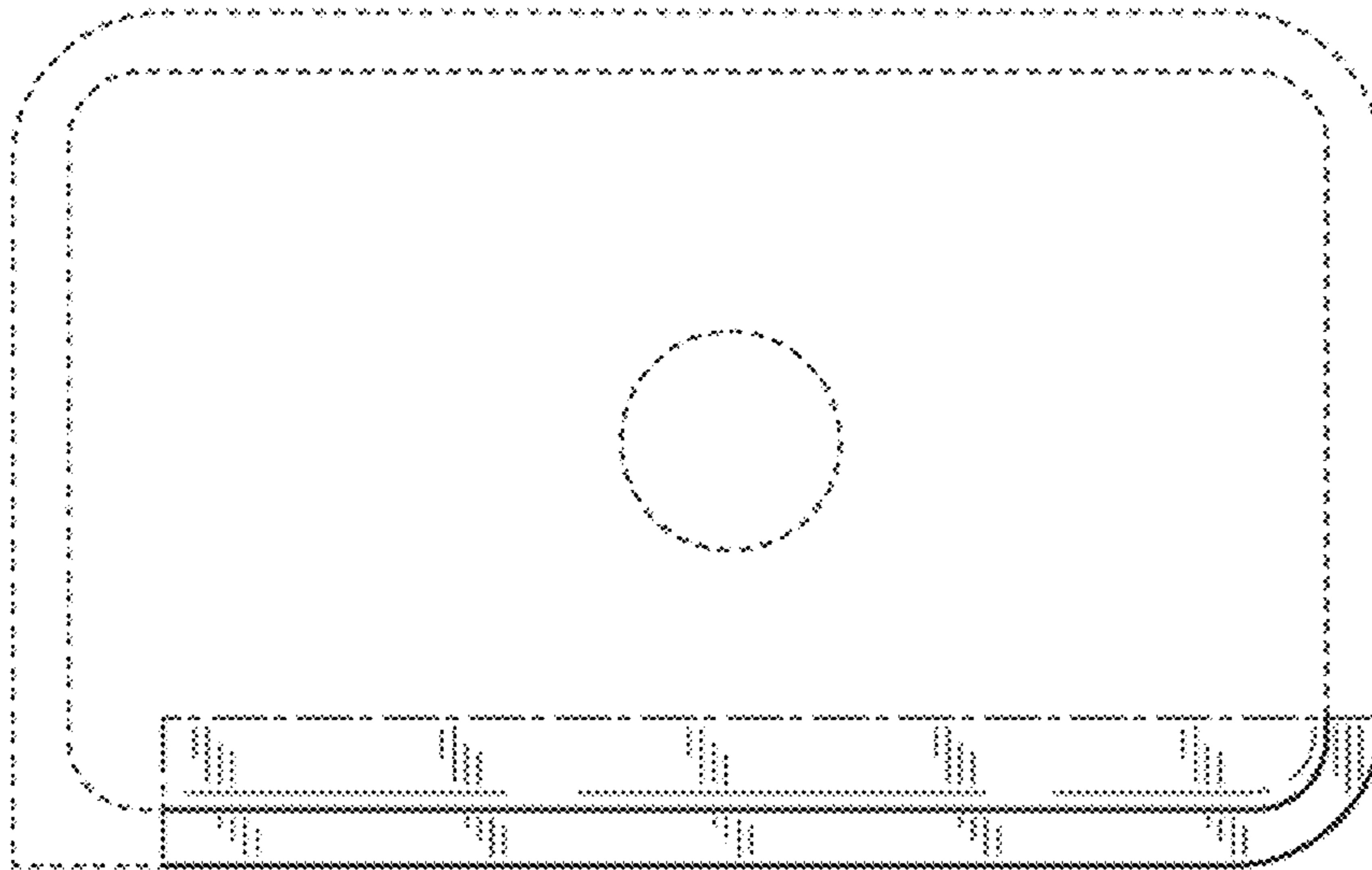
1.2



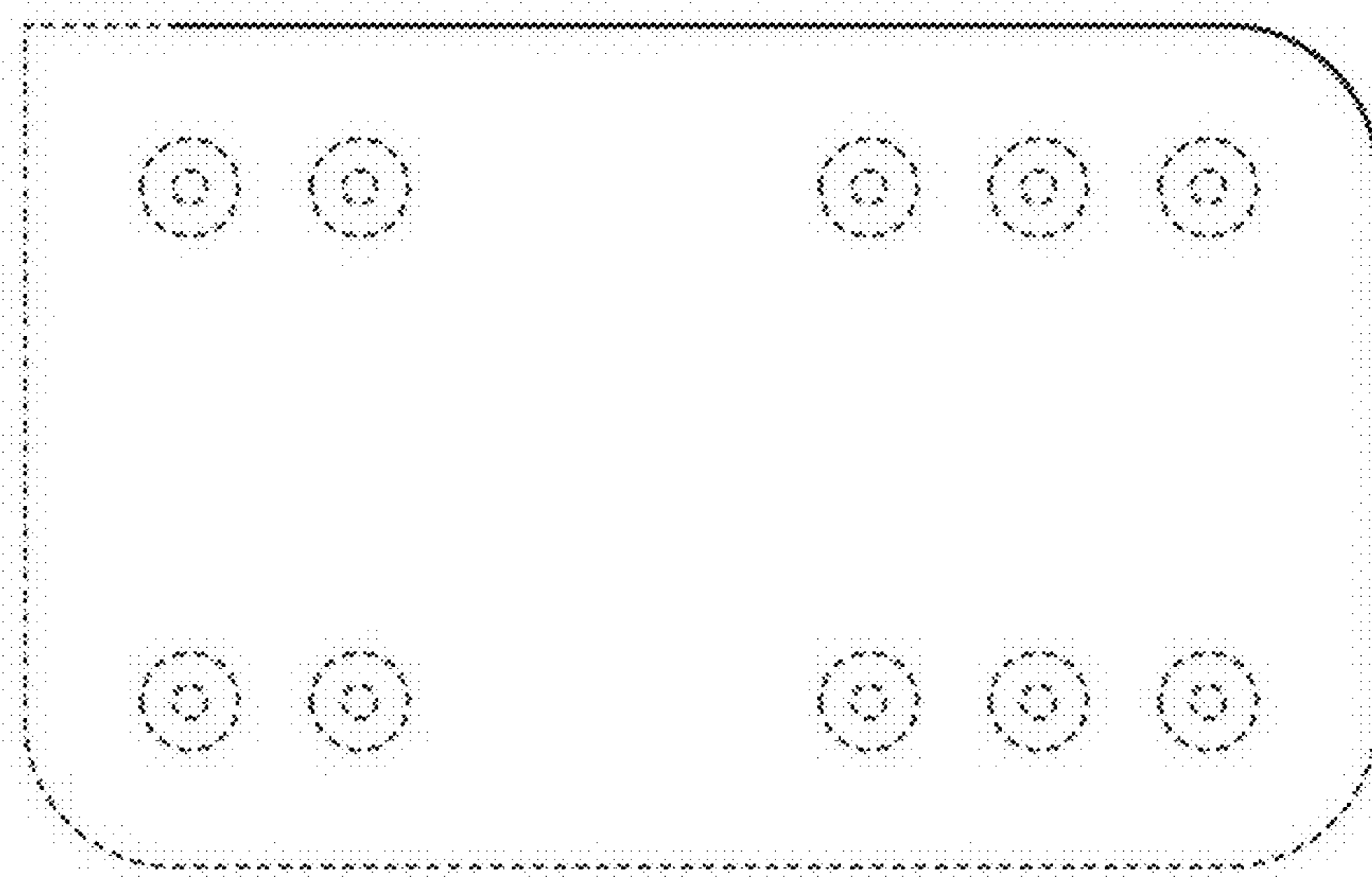
1.3



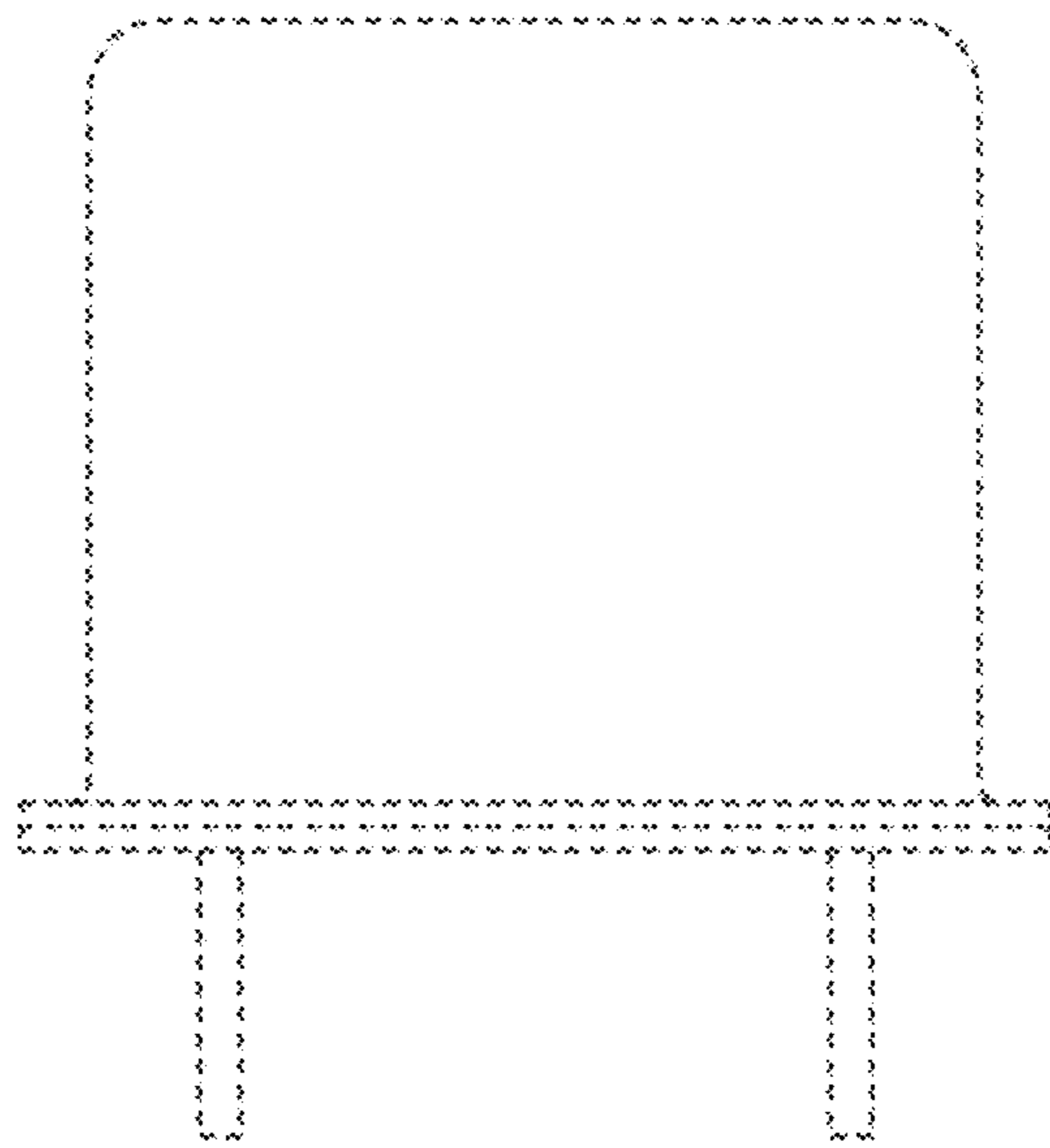
1.4



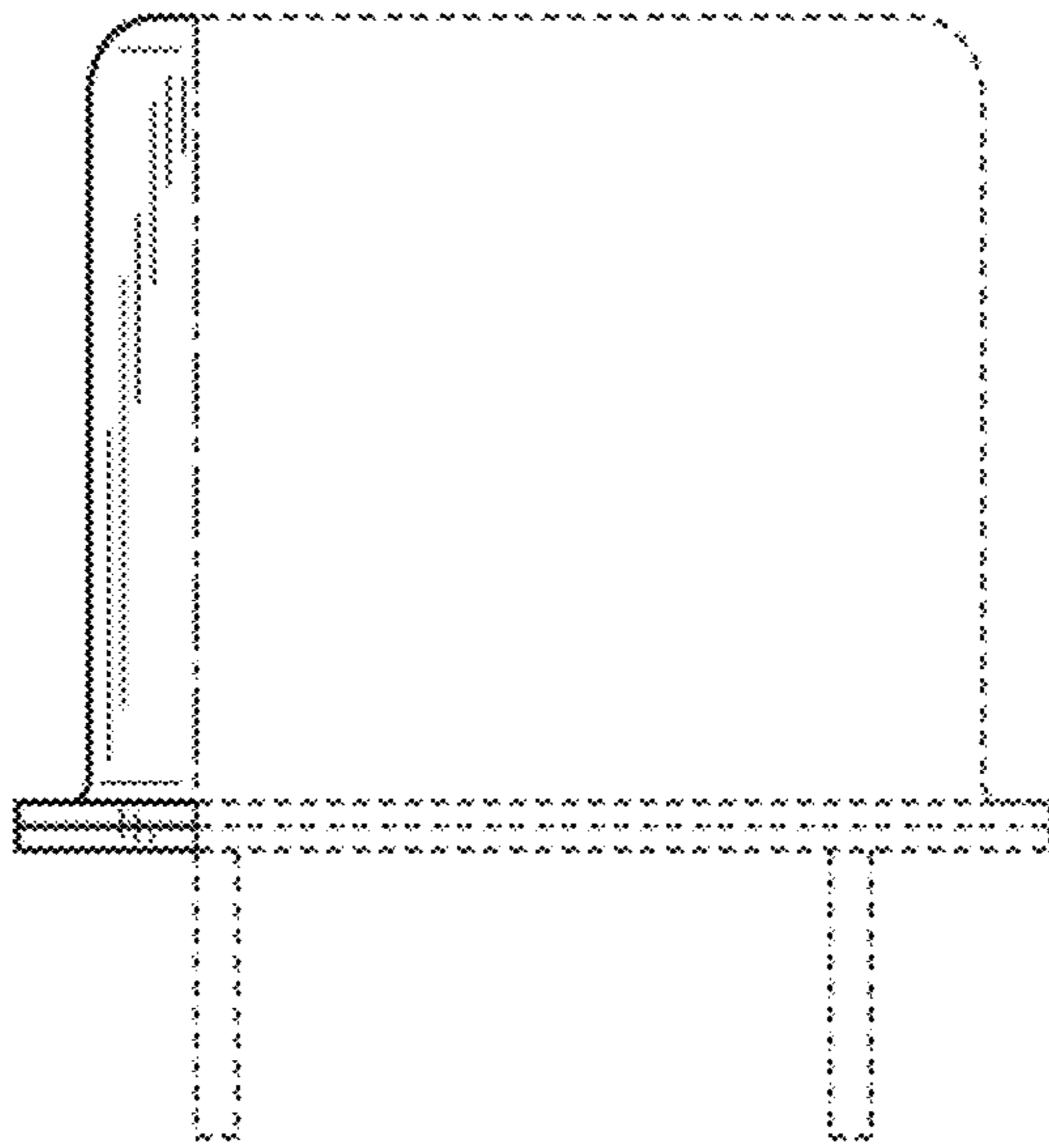
1.5



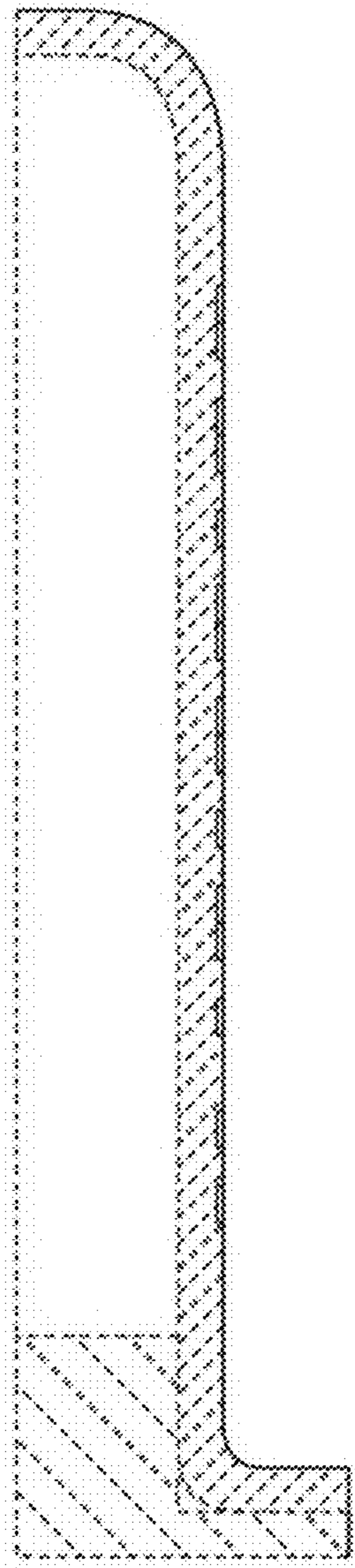
1.6



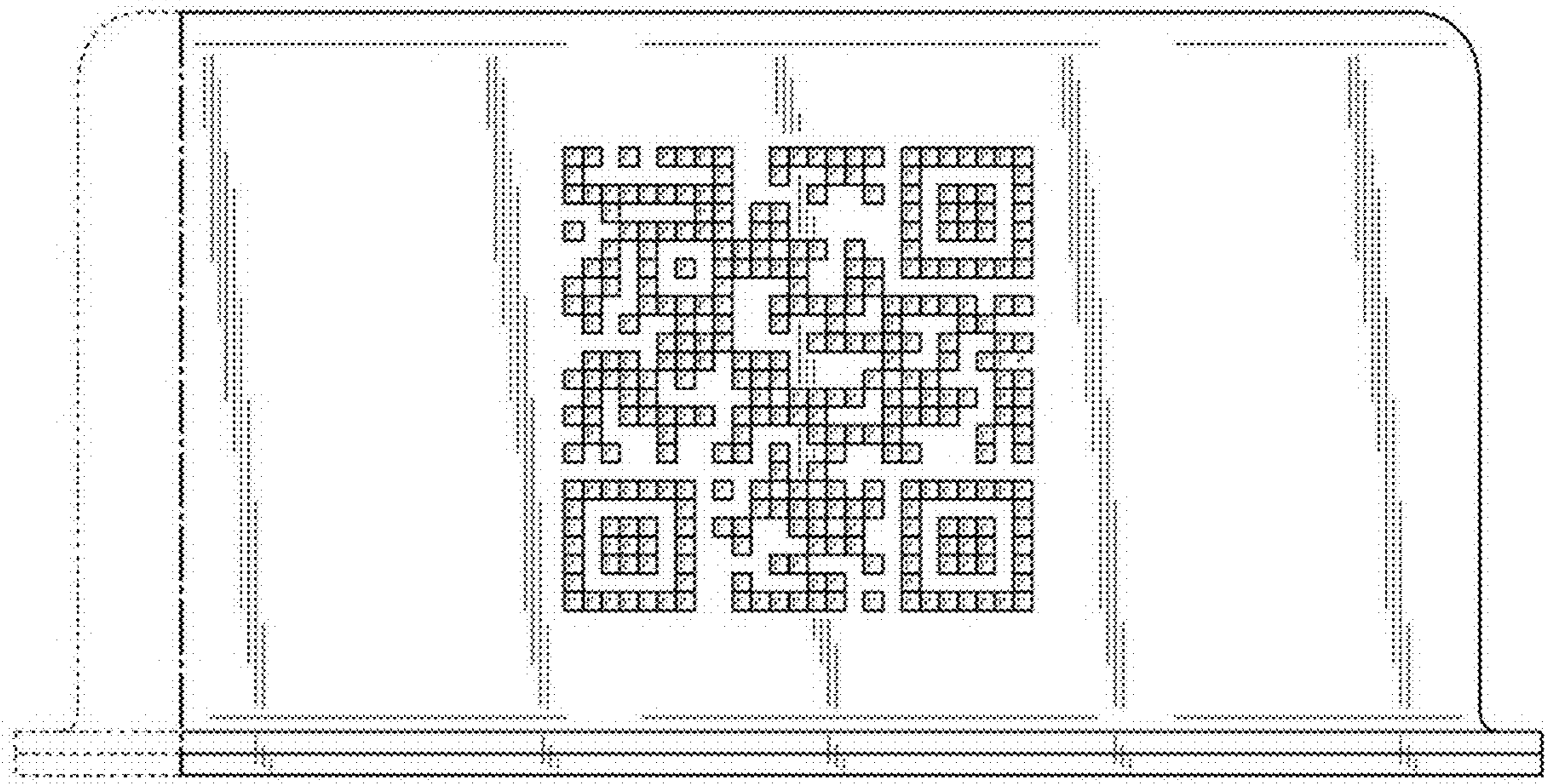
1.7



1.8



1.9



1.10

