

US00D821902S

(12) **United States Design Patent** (10) **Patent No.:** **US D821,902 S**  
**Hirose et al.** (45) **Date of Patent:** **\*\* Jul. 3, 2018**

(54) **SPECTROMETER**

(56) **References Cited**

(71) Applicant: **HAMAMATSU PHOTONICS K.K.**,  
Shizuoka (JP)

U.S. PATENT DOCUMENTS

(72) Inventors: **Masaki Hirose**, Hamamatsu (JP);  
**Katsumi Shibayama**, Hamamatsu (JP);  
**Takashi Kasahara**, Hamamatsu (JP);  
**Toshimitsu Kawai**, Hamamatsu (JP);  
**Hiroki Oyama**, Hamamatsu (JP); **Yumi Teramachi**, Hamamatsu (JP); **Takafumi Yokino**, Hamamatsu (JP); **Katsuhiko Kato**, Hamamatsu (JP)

D603,280 S	*	11/2009	Shibayama	.....	D10/81
D603,729 S	*	11/2009	Shibayama	.....	D10/81
D603,730 S	*	11/2009	Shibayama	.....	D10/81
D603,731 S	*	11/2009	Shibayama	.....	D10/81
D730,217 S	*	5/2015	Yokino	.....	D10/81
D733,599 S	*	7/2015	Yokino	.....	D10/81
D744,878 S	*	12/2015	Yokino	.....	D10/46

\* cited by examiner

*Primary Examiner* — George D. Kirschbaum

(\*\*) Term: **15 Years**

(57) **CLAIM**

The ornamental design for a spectrometer, as shown and described.

(21) Appl. No.: **35/502,890**

**DESCRIPTION**

(22) Filed: **Oct. 25, 2016**

(80) **Hague Agreement Data**

Int. Filing Date: **Oct. 25, 2016**  
Int. Reg. No.: **DM/093478**  
Int. Reg. Date: **Oct. 25, 2016**  
Int. Reg. Pub. Date: **Apr. 28, 2017**

- 1. Spectrometer
- 1.1 : Perspective
- 1.2 : Front
- 1.3 : Back
- 1.4 : Top
- 1.5 : Bottom
- 1.6 : Left
- 1.7 : Right
- 1.8 : Partial enlarged vertical sectional view
- 1.9 : Partial enlarged front view
- 1.10 : Partial enlarged perspective view

The broken line showing is included for the purpose of illustrating portions of the “article” and forms no part of the claimed design. The dash-dot-dash lines represent the boundary of the claimed design.

(30) **Foreign Application Priority Data**

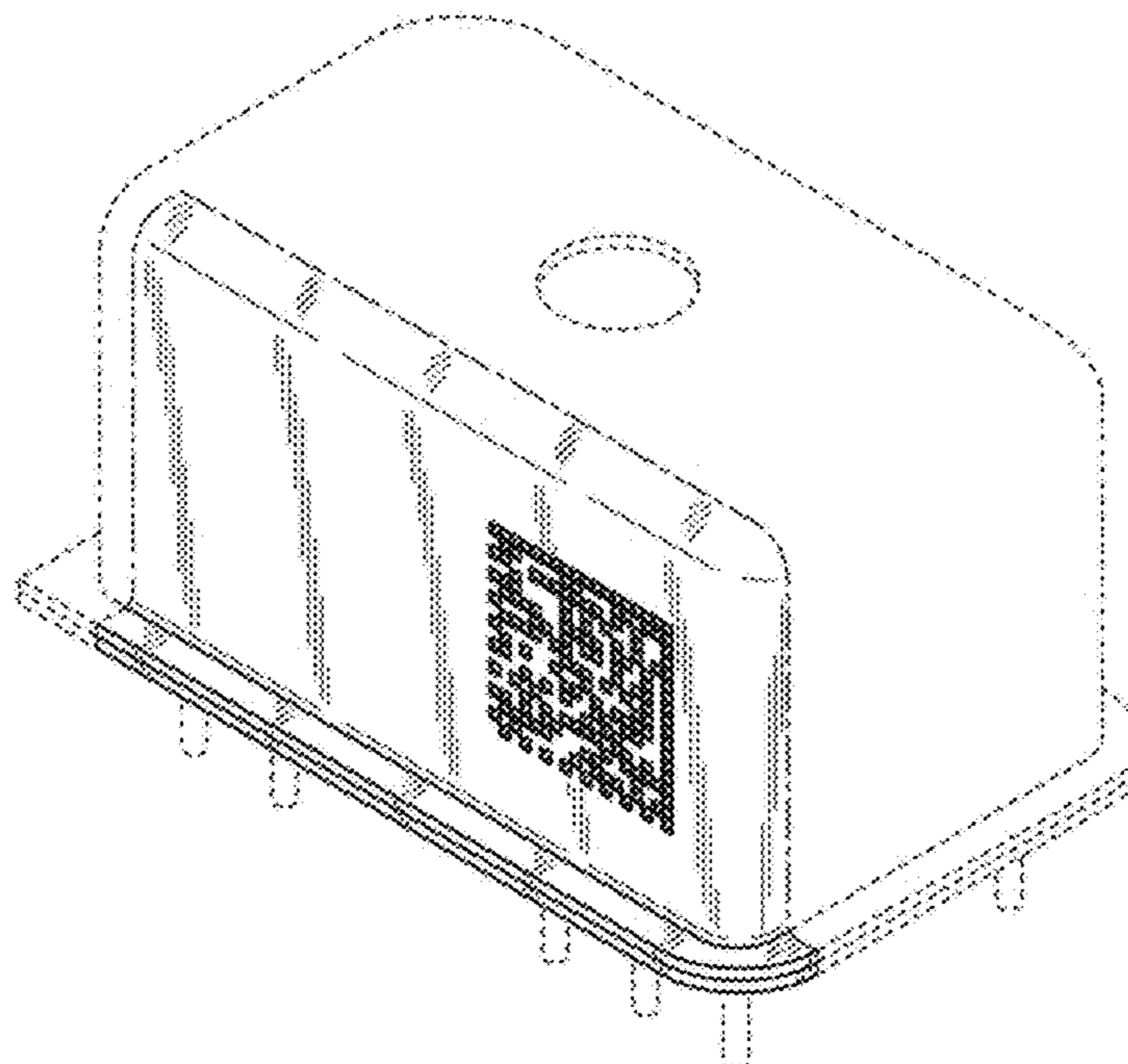
May 30, 2016 (JP) ..... 2016-011434

(51) **LOC (11) Cl.** ..... **10-04**

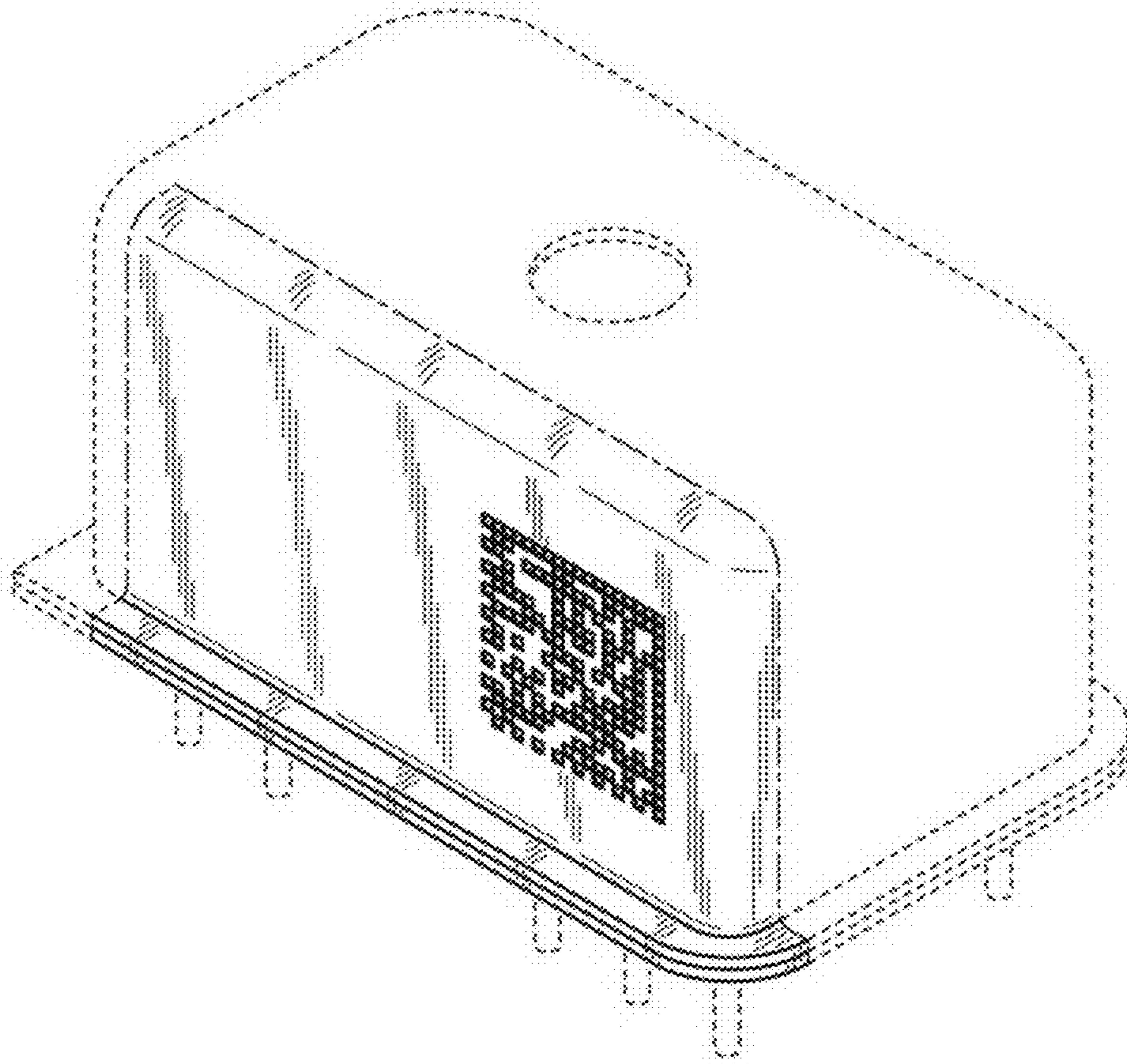
(52) **U.S. Cl.**  
USPC ..... **D10/81**

(58) **Field of Classification Search**  
USPC ..... D10/81, 47; D13/158, 159, 160  
See application file for complete search history.

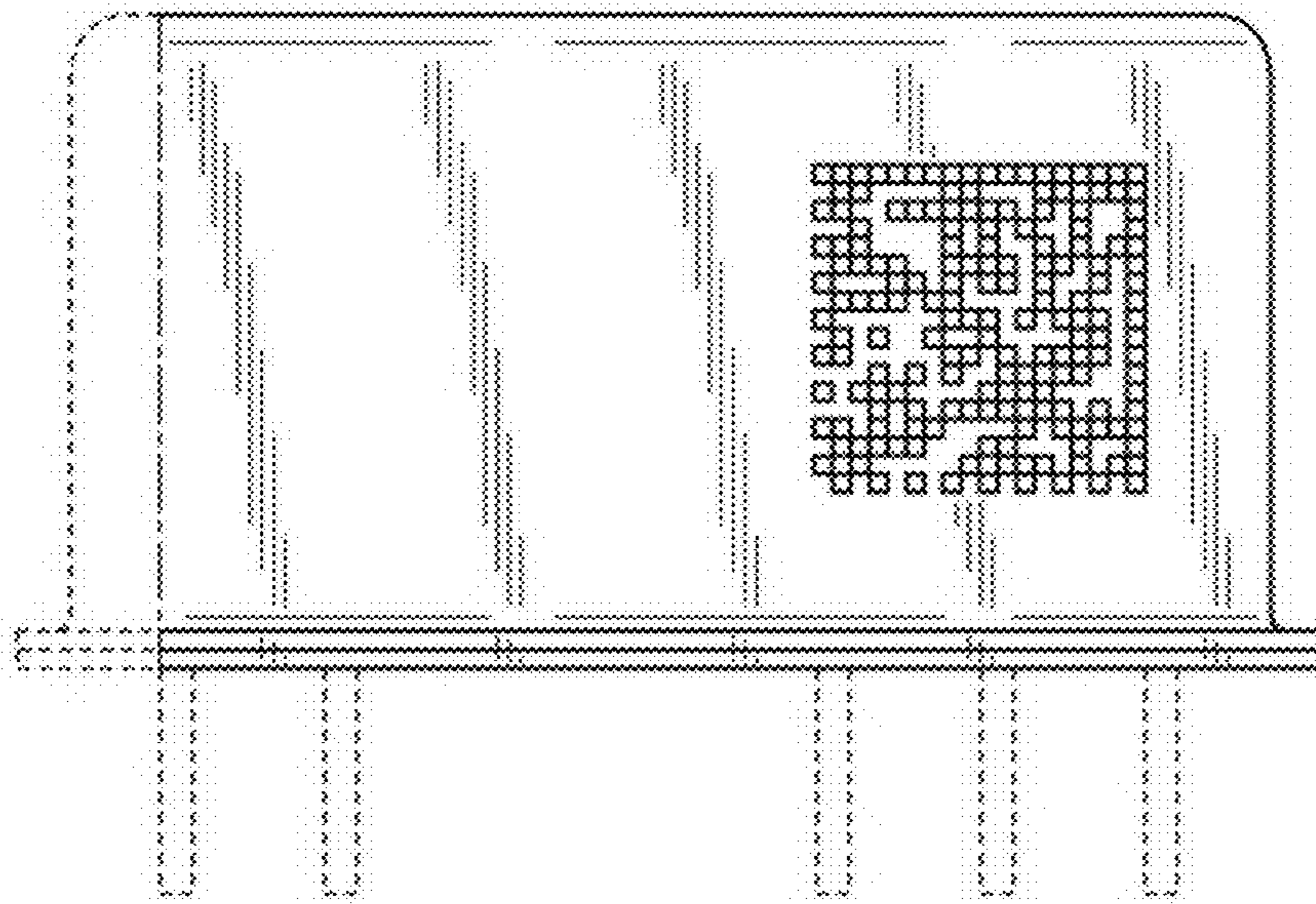
**1 Claim, 10 Drawing Sheets**



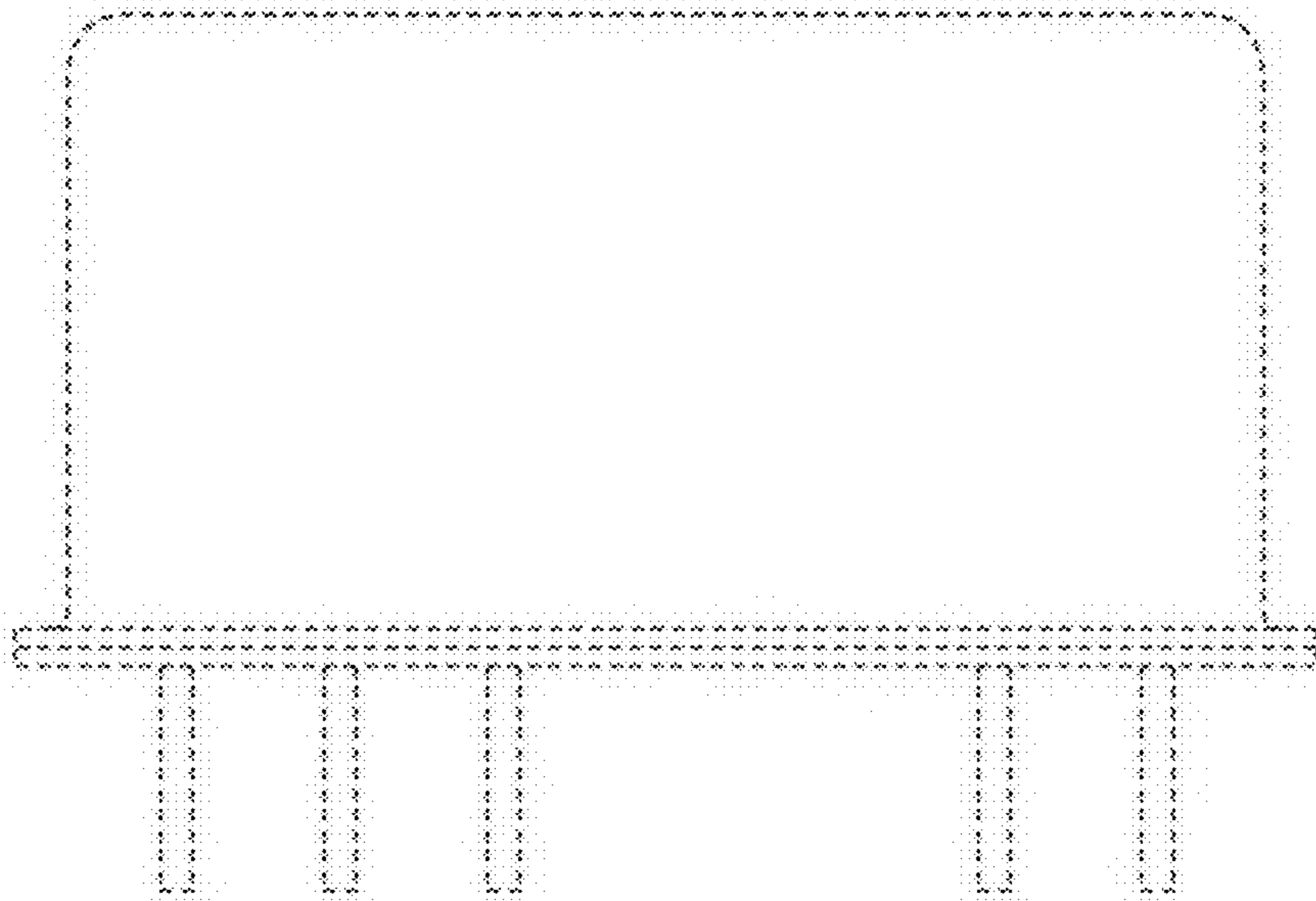
1.1



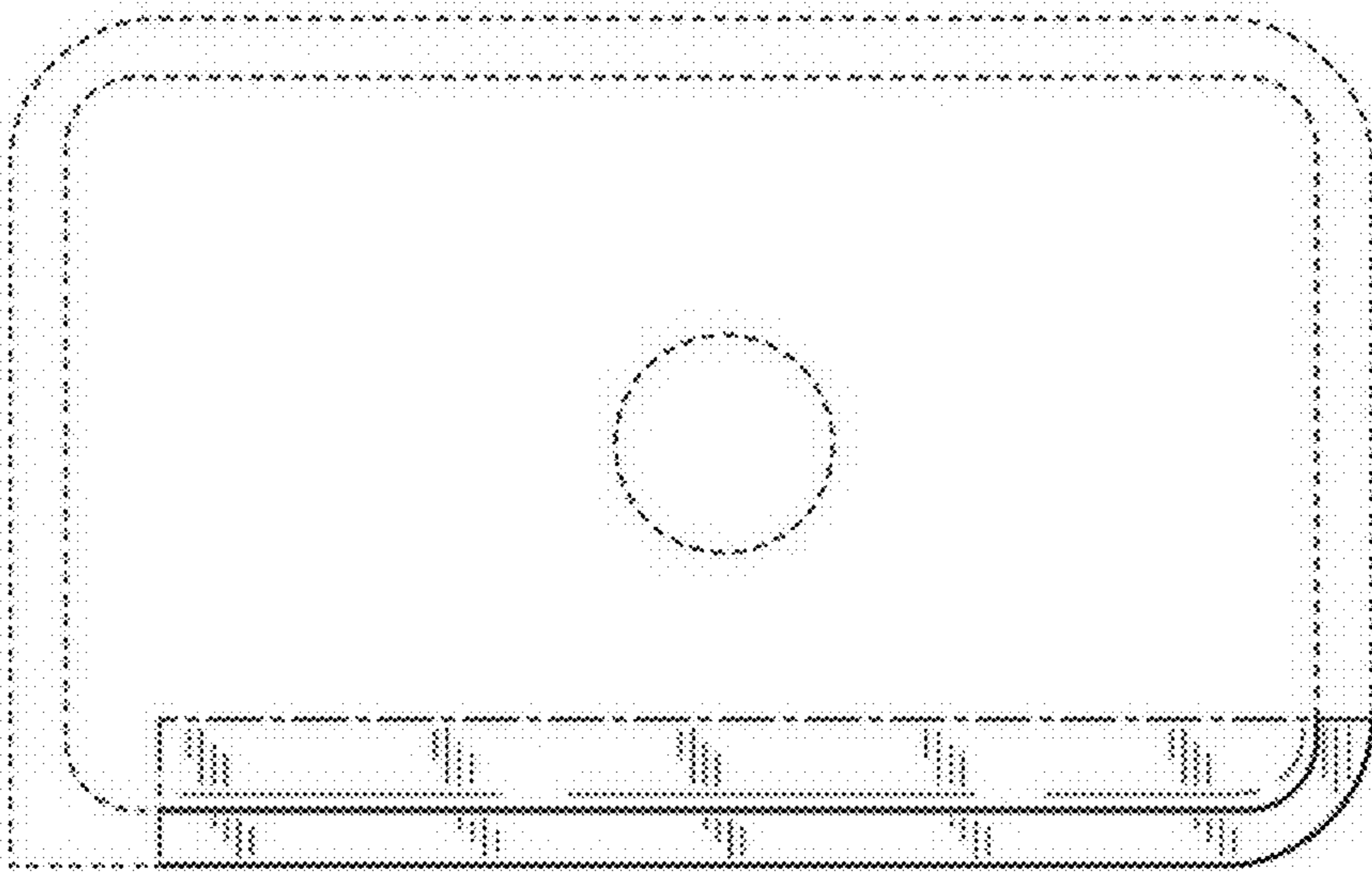
1.2



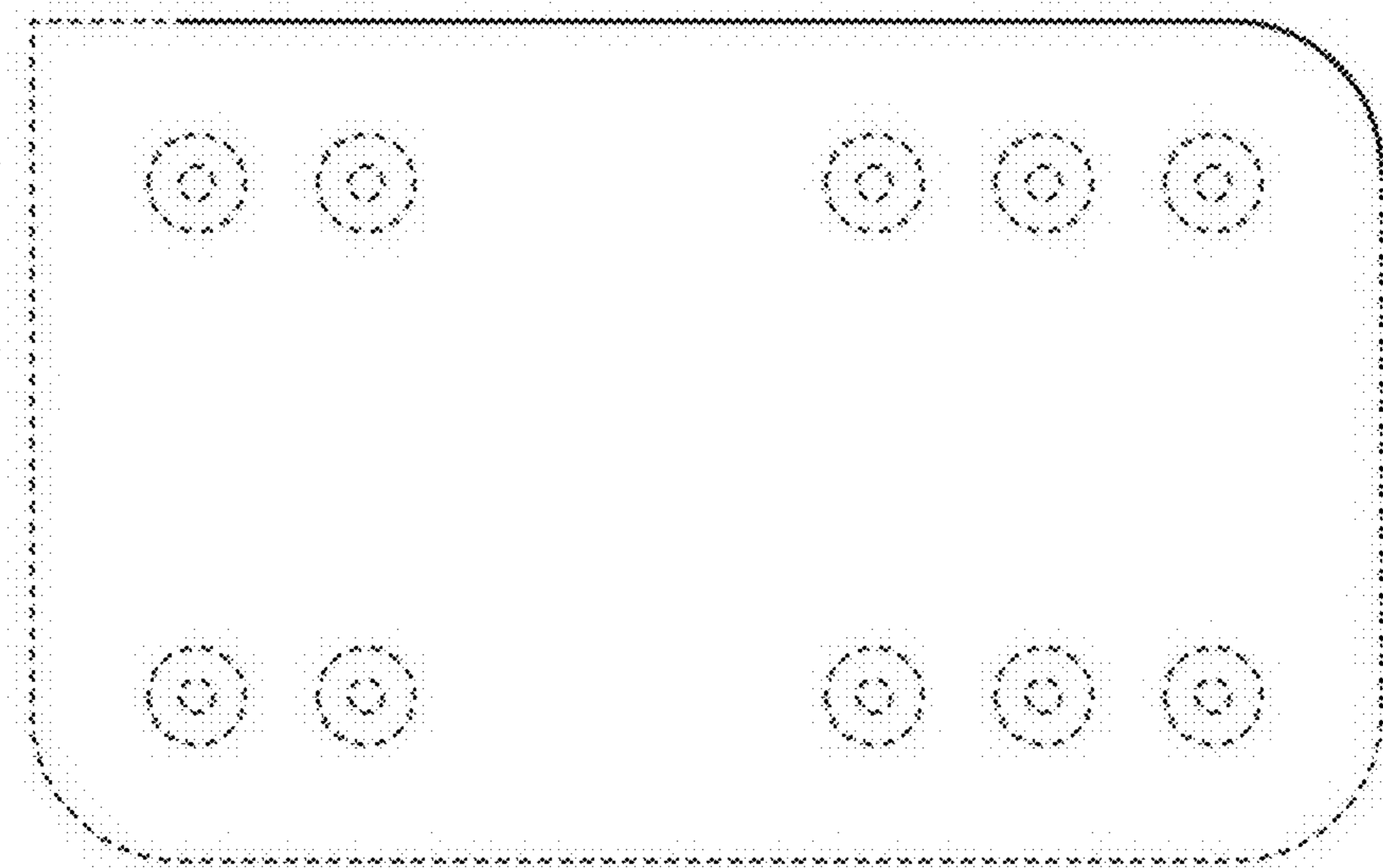
1.3



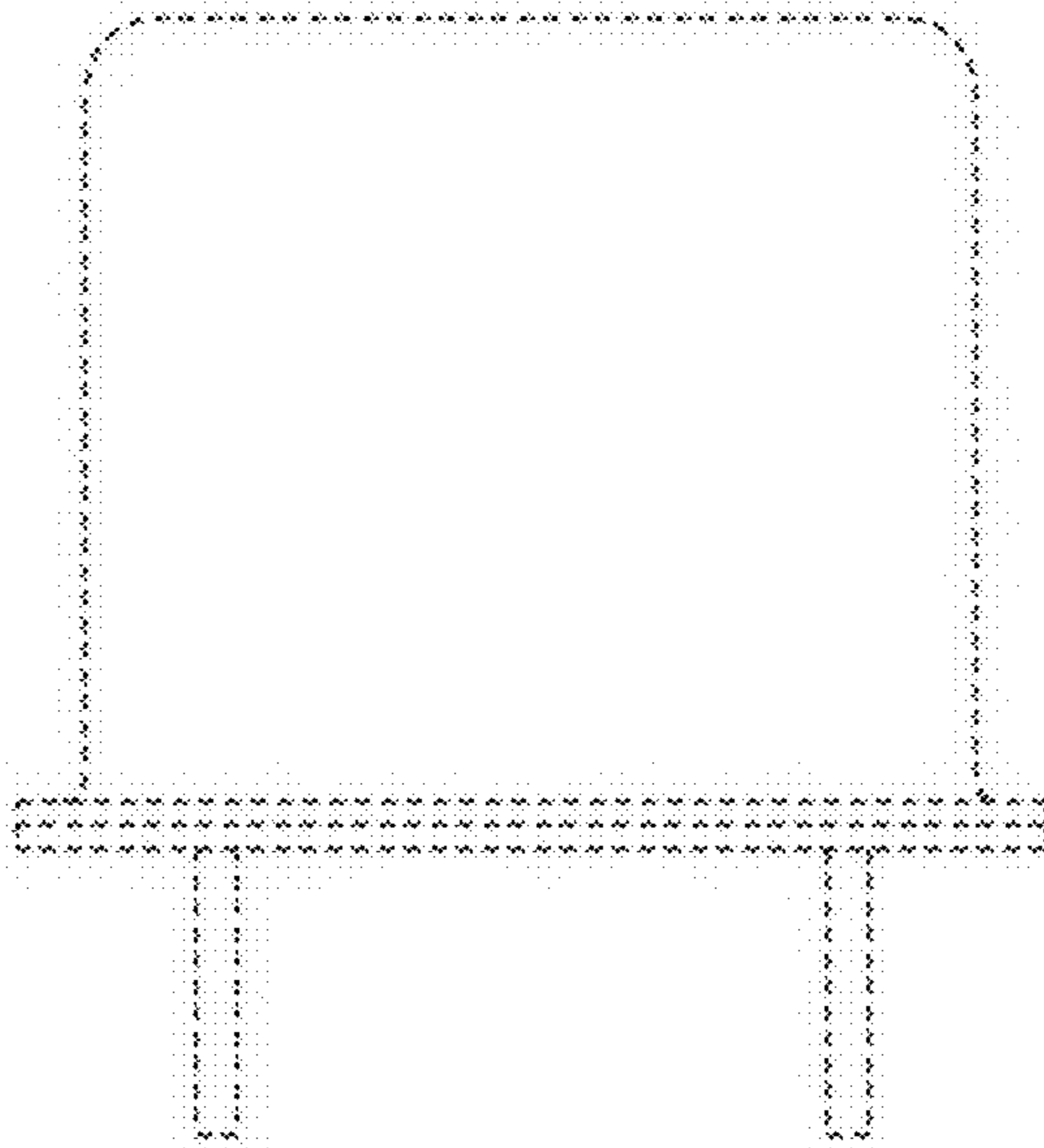
1.4



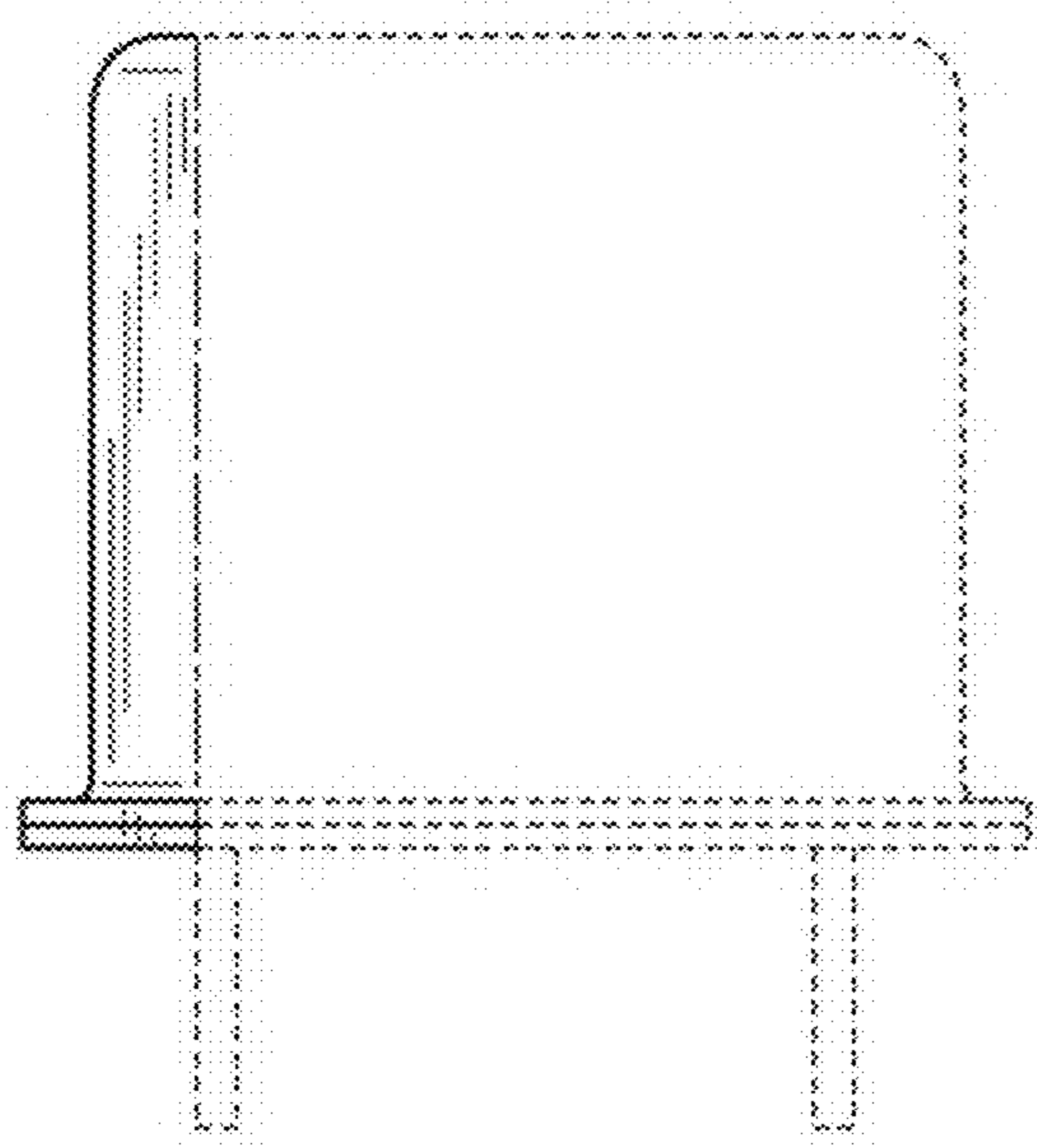
1.5



1.6

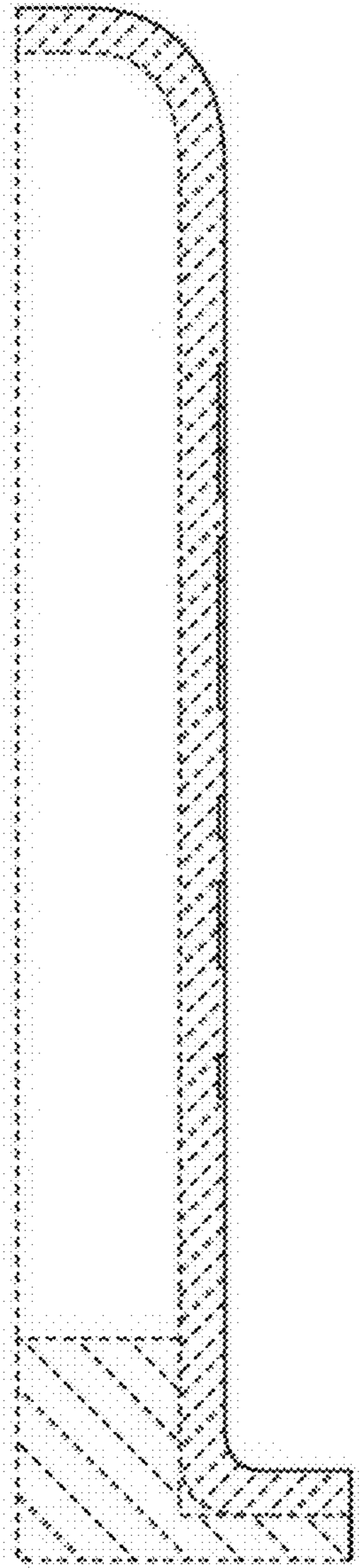


1.7

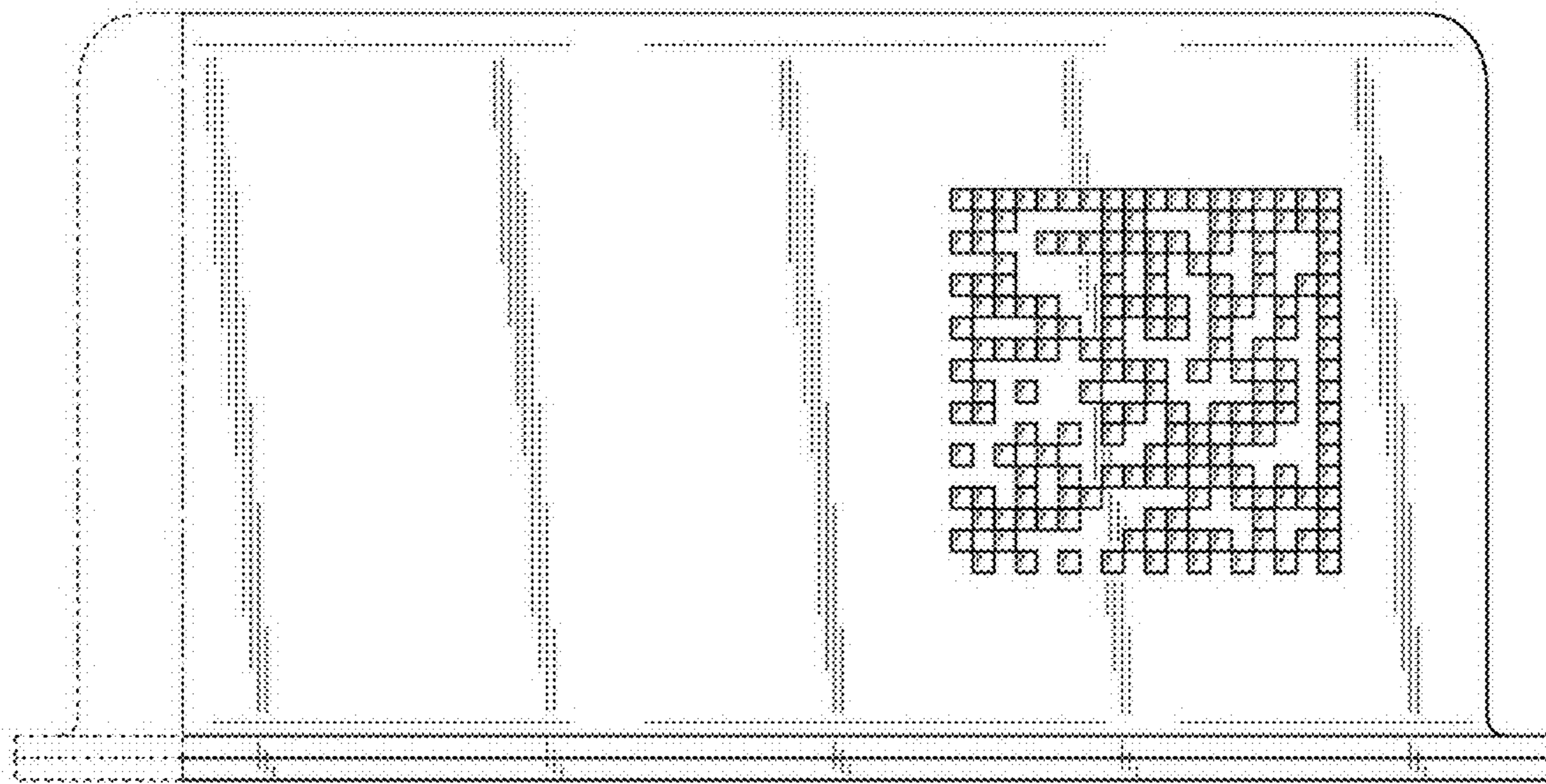




1.8



1.9



1.10

