



US00D821899S

(12) **United States Design Patent** (10) **Patent No.:** **US D821,899 S**
Hirose et al. (45) **Date of Patent:** **** Jul. 3, 2018**

(54) **SPECTROMETER**

(56) **References Cited**

(71) Applicant: **HAMAMATSU PHOTONICS K.K.**,
Shizuoka (JP)

U.S. PATENT DOCUMENTS

(72) Inventors: **Masaki Hirose**, Hamamatsu (JP);
Katsumi Shibayama, Hamamatsu (JP);
Takashi Kasahara, Hamamatsu (JP);
Toshimitsu Kawai, Hamamatsu (JP);
Hiroki Oyama, Hamamatsu (JP); **Yumi Teramachi**, Hamamatsu (JP); **Mitsushi Mineno**, Hamamatsu (JP); **Minoru Takase**, Hamamatsu (JP)

| | | | | | |
|------------|---|---------|-----------|-------|--------|
| D603,280 S | * | 11/2009 | Shibayama | | D10/81 |
| D603,729 S | * | 11/2009 | Shibayama | | D10/81 |
| D603,730 S | * | 11/2009 | Shibayama | | D10/81 |
| D603,731 S | * | 11/2009 | Shibayama | | D10/81 |
| D730,217 S | * | 5/2015 | Yokino | | D10/81 |
| D733,599 S | * | 7/2015 | Yokino | | D10/81 |
| D744,878 S | * | 12/2015 | Yokino | | D10/46 |

* cited by examiner

Primary Examiner — George D. Kirschbaum

(**) Term: **15 Years**

(57) **CLAIM**

The ornamental design for a spectrometer, as shown and described.

(21) Appl. No.: **35/502,872**

DESCRIPTION

(22) Filed: **Oct. 25, 2016**

(80) **Hague Agreement Data**

Int. Filing Date: **Oct. 25, 2016**
Int. Reg. No.: **DM/093485**
Int. Reg. Date: **Oct. 25, 2016**
Int. Reg. Pub. Date: **Apr. 28, 2017**

- 1. Spectrometer
- 1.1 : Perspective
- 1.2 : Front
- 1.3 : Back
- 1.4 : Top
- 1.5 : Bottom
- 1.6 : Left
- 1.7 : Right
- 1.8 : Partial enlarged vertical sectional view
- 1.9 : Enlarged top view
- 1.10 : Partial enlarged perspective view

The broken line showing is included for the purpose of illustrating portions of the “article” and forms no part of the claimed design. The dash-dot-dash lines represent the boundary of the claimed design.

(30) **Foreign Application Priority Data**

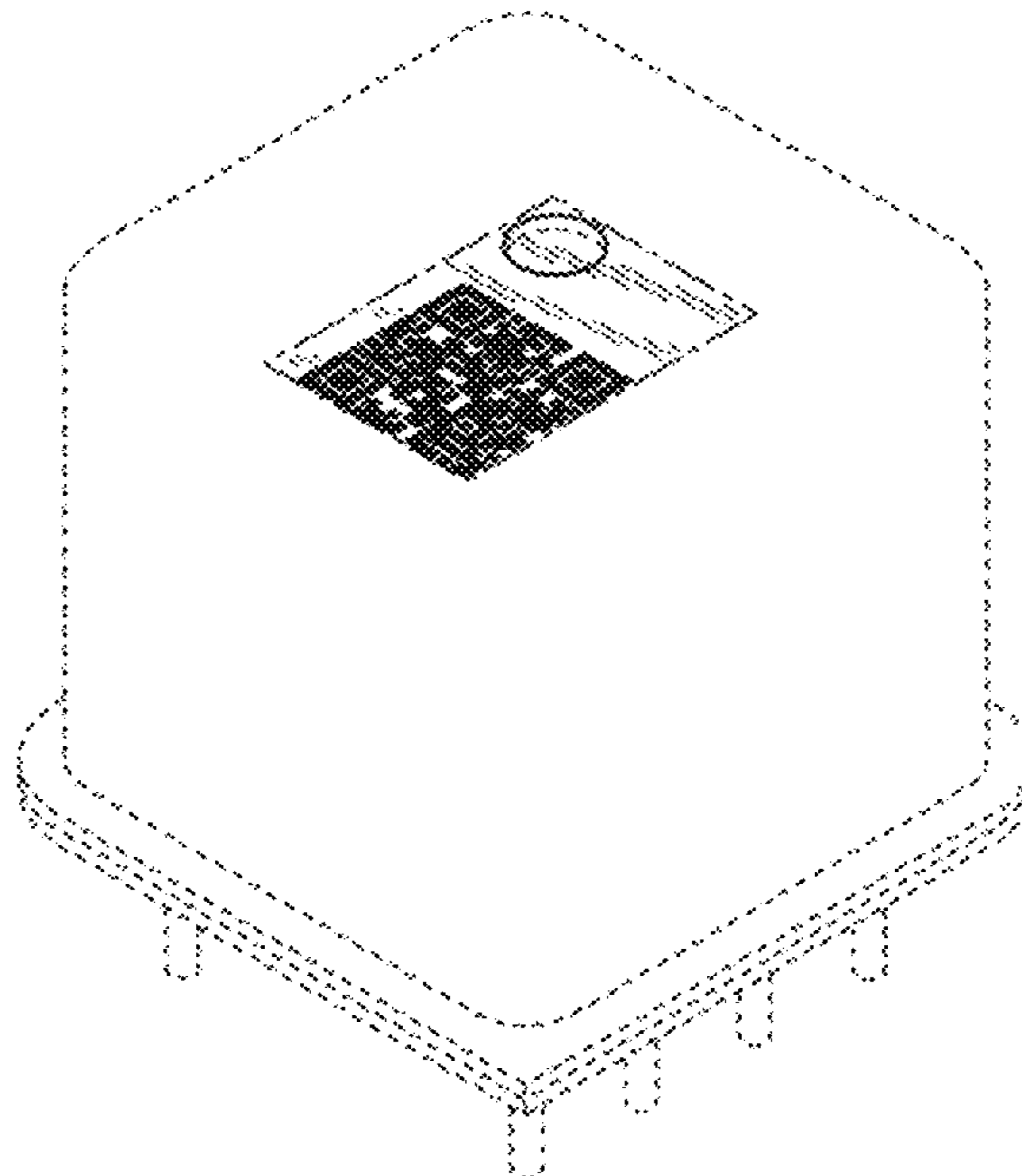
Apr. 25, 2016 (JP) 2016-009062

(51) **LOC (11) Cl.** **10-04**

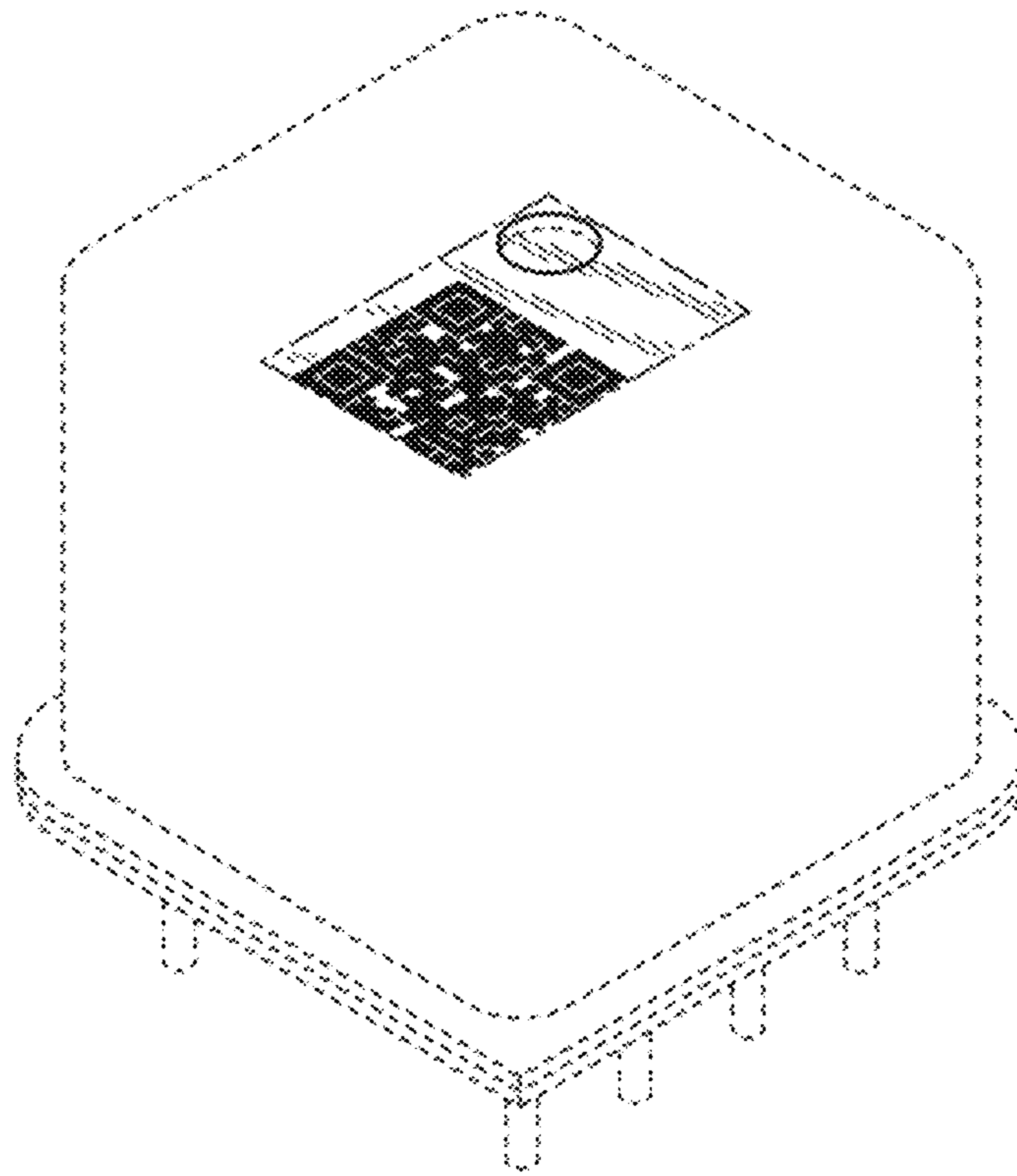
(52) **U.S. Cl.**
USPC **D10/81**

(58) **Field of Classification Search**
USPC D10/81, 47; D13/158, 159, 160
See application file for complete search history.

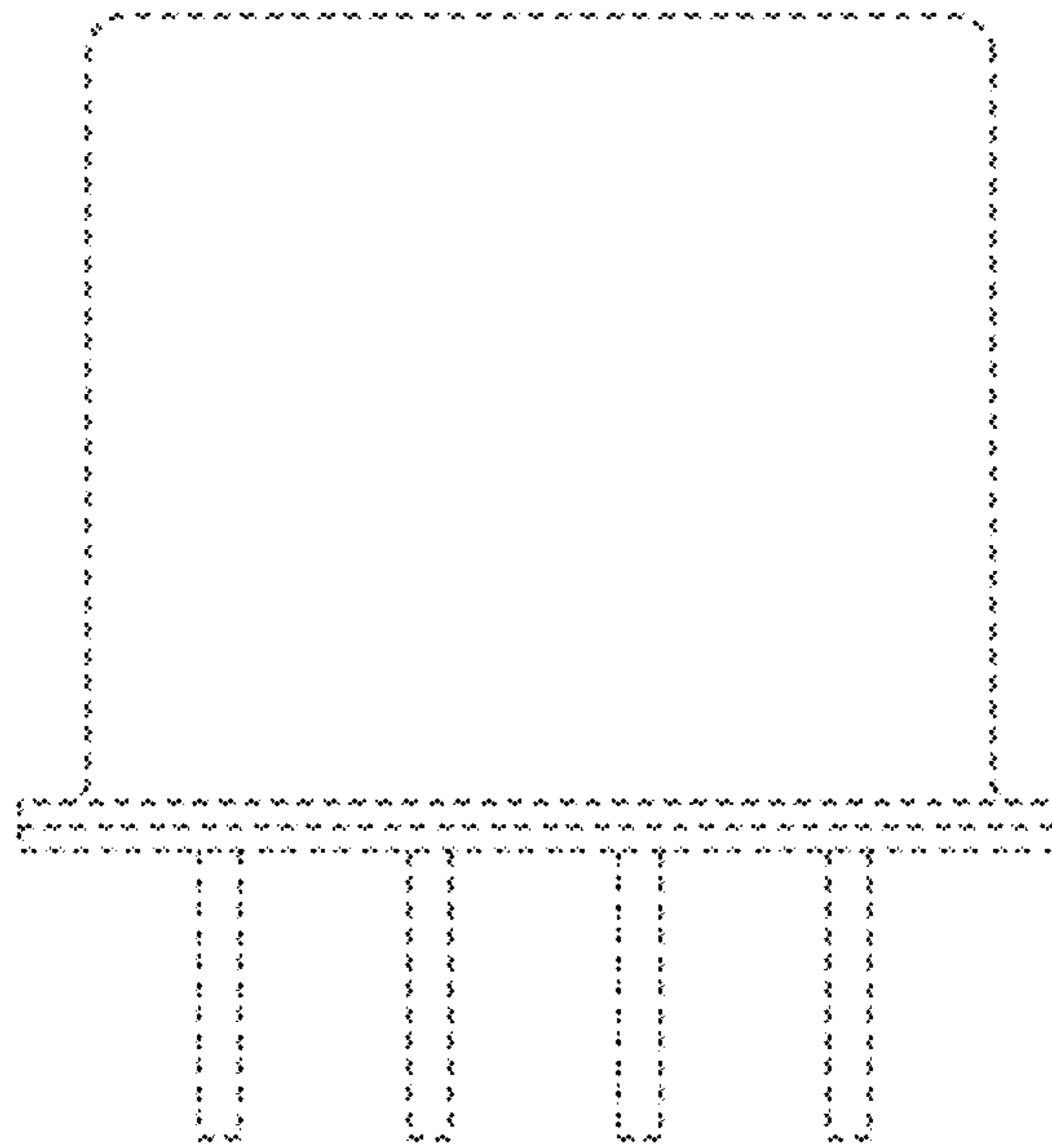
1 Claim, 10 Drawing Sheets



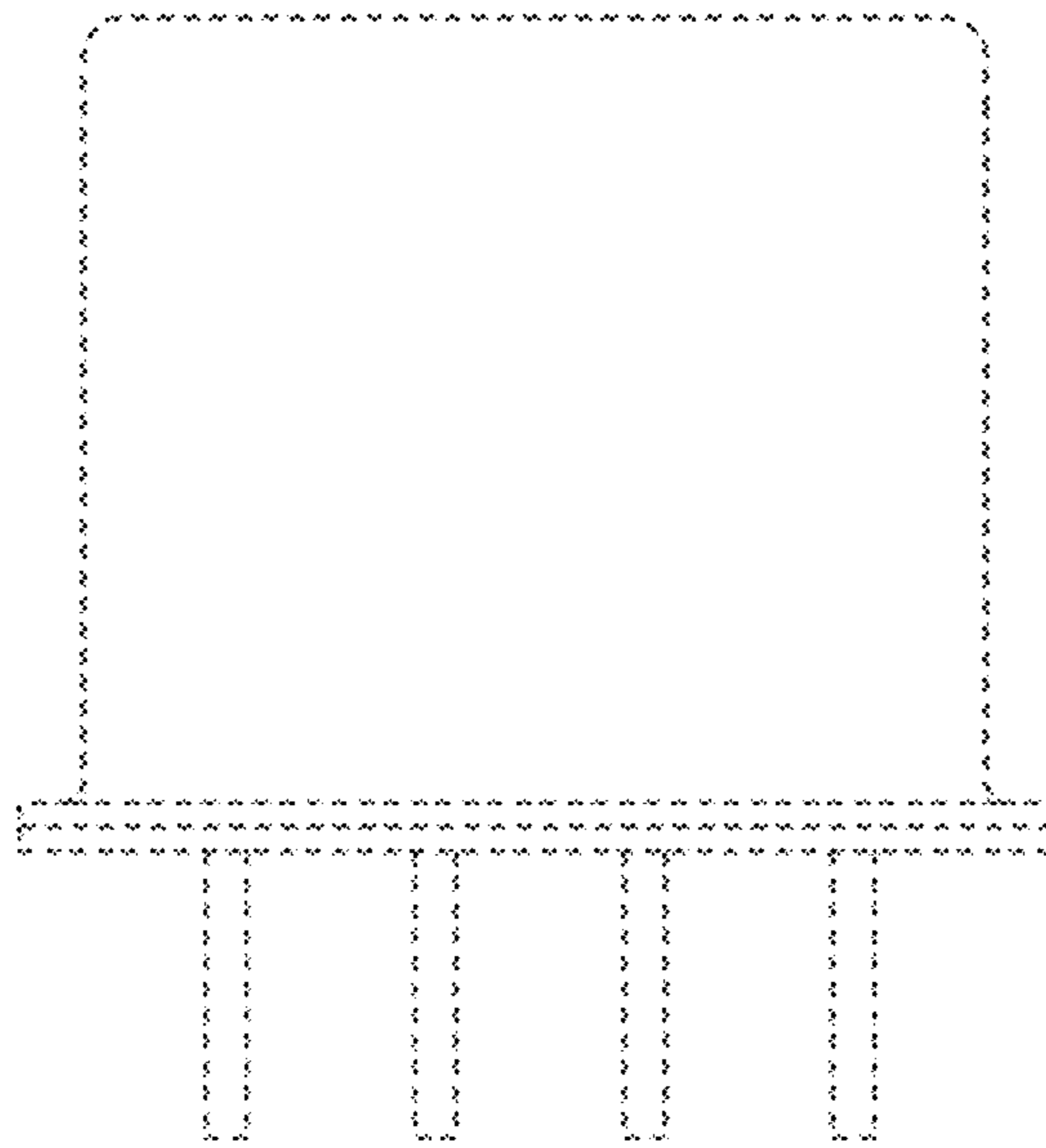
1.1



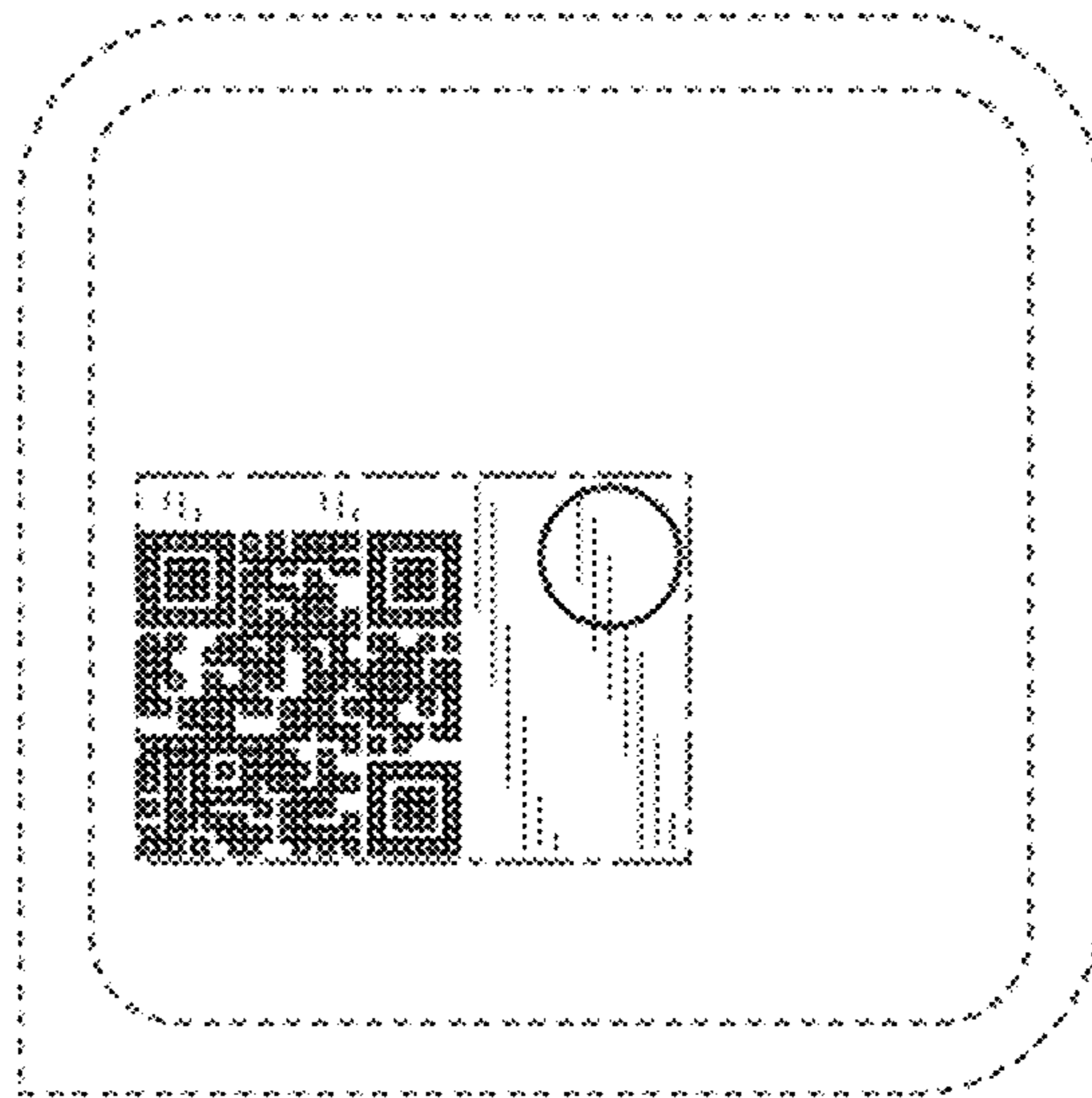
1.2



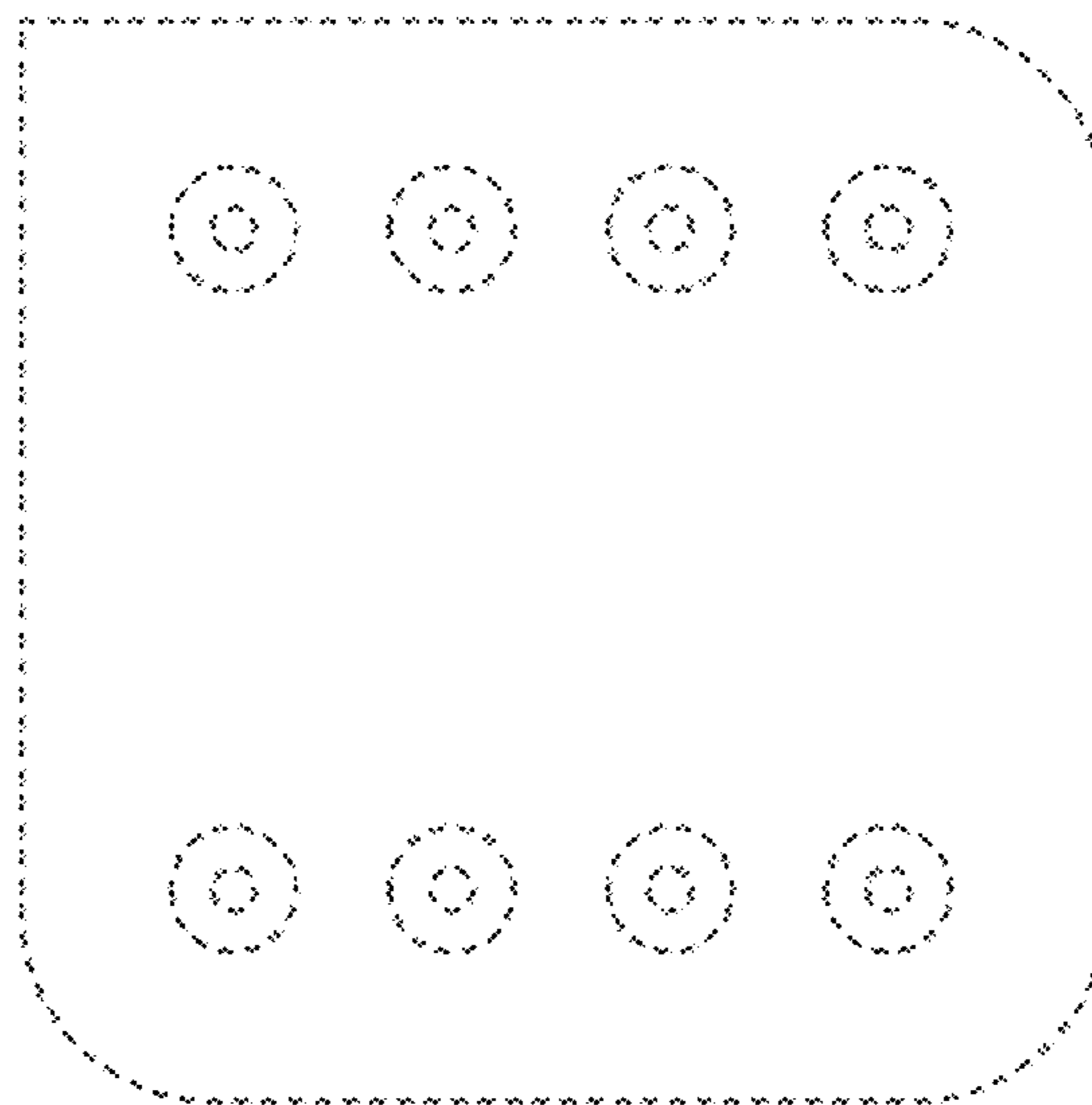
1.3



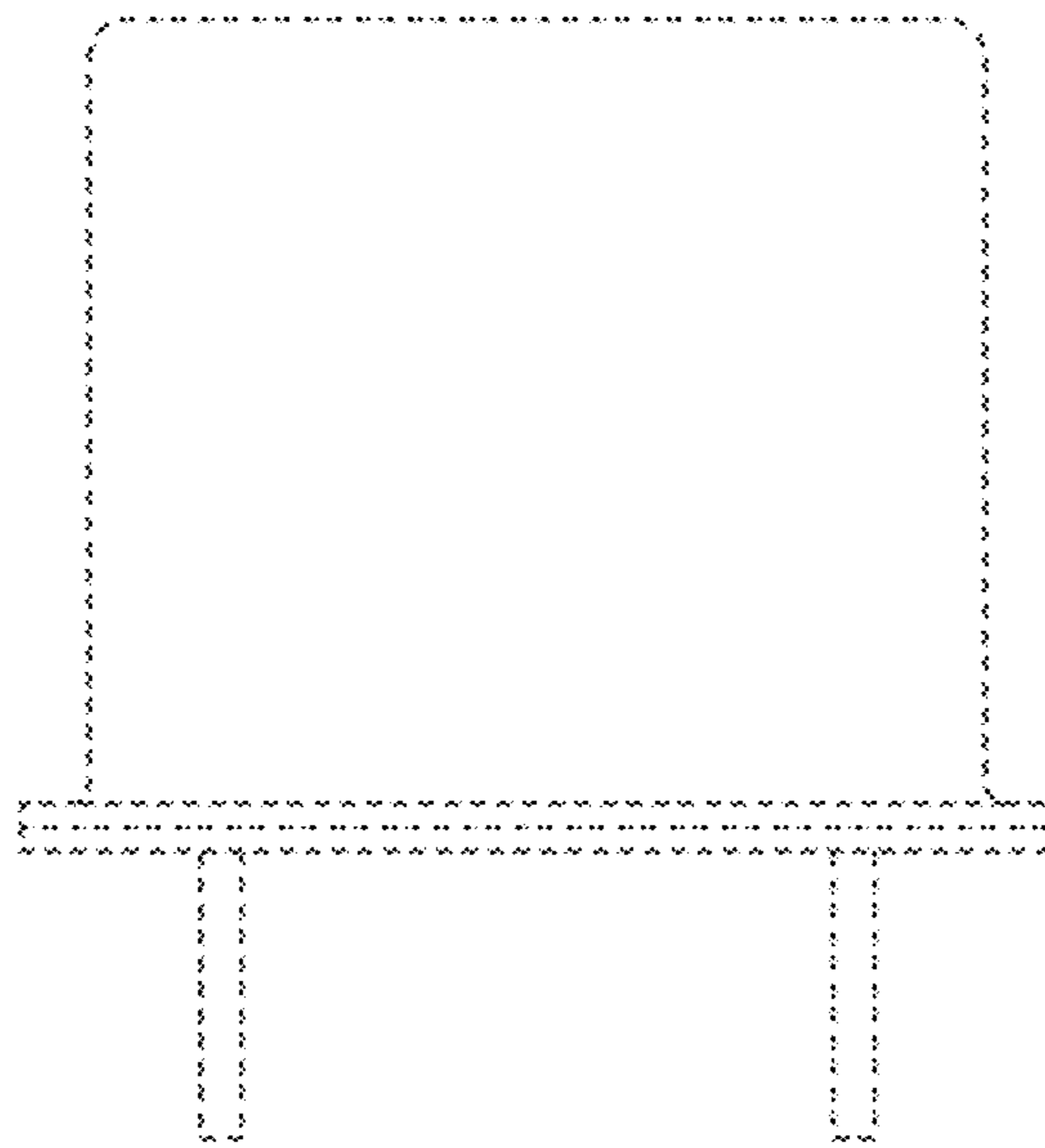
1.4



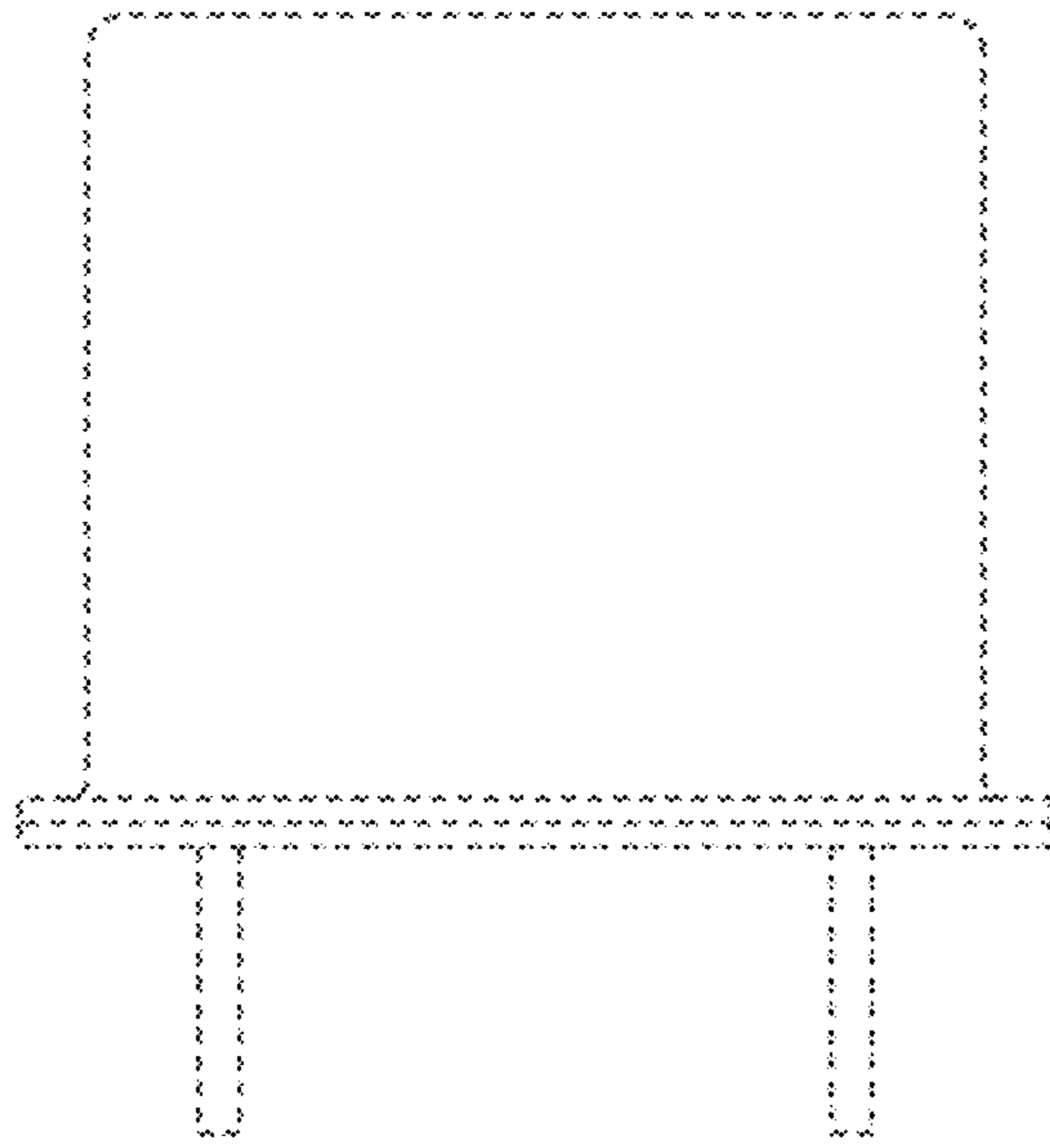
1.5



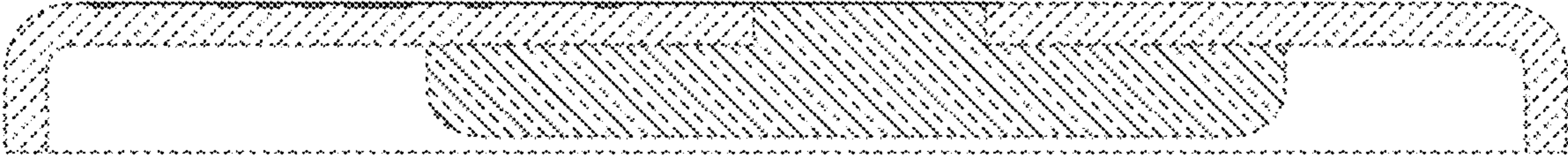
1.6



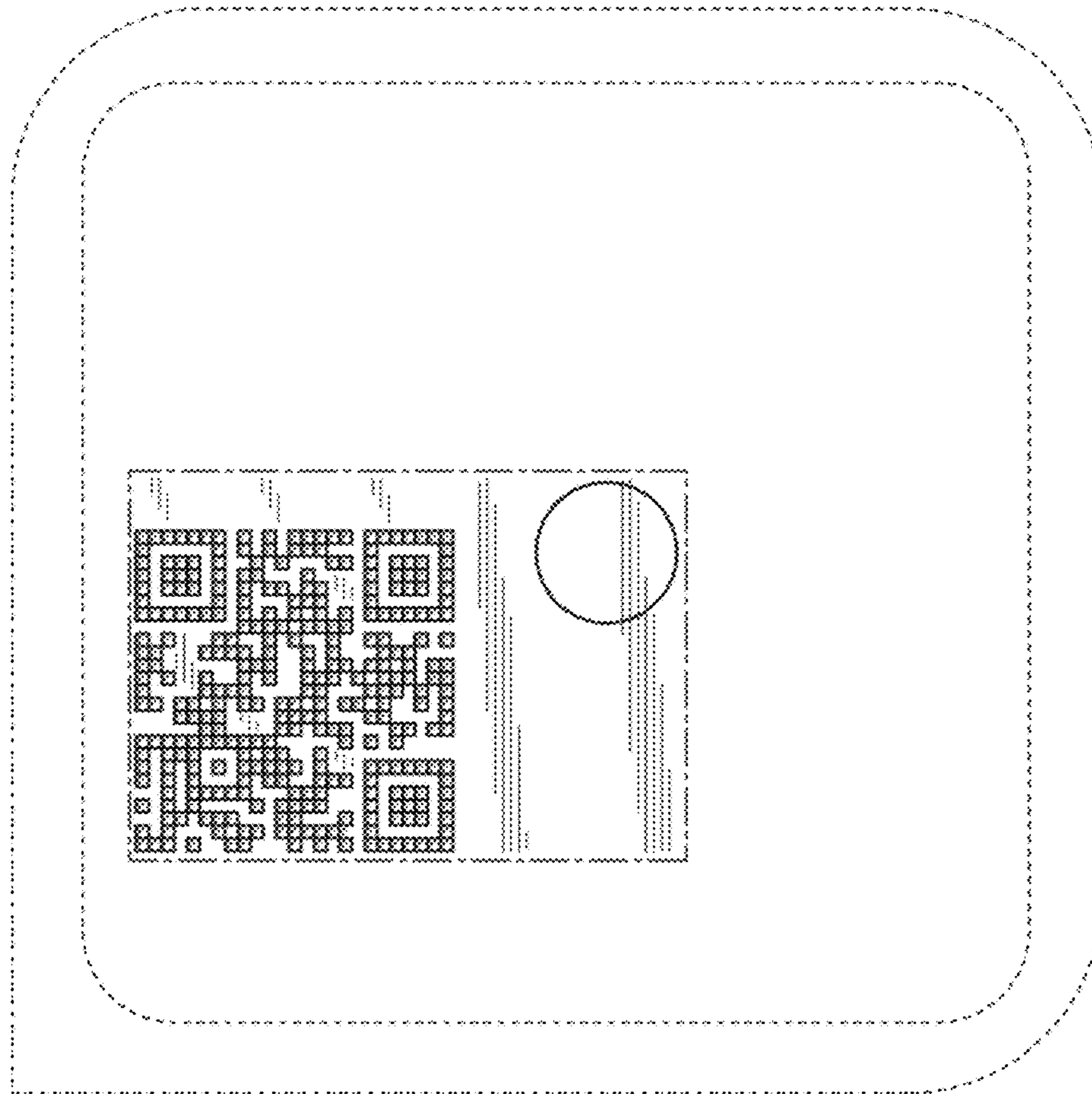
1.7



1.8



1.9



1.10

