



US00D821898S

(12) **United States Design Patent**
Hirose et al.

(10) **Patent No.:** **US D821,898 S**

(45) **Date of Patent:** **** Jul. 3, 2018**

(54) **SPECTROMETER**

(56) **References Cited**

(71) Applicant: **HAMAMATSU PHOTONICS K.K.**,
Shizuoka (JP)

U.S. PATENT DOCUMENTS

(72) Inventors: **Masaki Hirose**, Hamamatsu (JP);
Katsumi Shibayama, Hamamatsu (JP);
Takashi Kasahara, Hamamatsu (JP);
Toshimitsu Kawai, Hamamatsu (JP);
Hiroki Oyama, Hamamatsu (JP); **Yumi Teramachi**, Hamamatsu (JP); **Takafumi Yokino**, Hamamatsu (JP); **Katsuhiko Kato**, Hamamatsu (JP)

D603,280	S	*	11/2009	Shibayama	D10/81
D603,729	S	*	11/2009	Shibayama	D10/81
D603,730	S	*	11/2009	Shibayama	D10/81
D603,731	S	*	11/2009	Shibayama	D10/81
D730,217	S	*	5/2015	Yokino	D10/81
D733,599	S	*	7/2015	Yokino	D10/81
D744,878	S	*	12/2015	Yokino	D10/46

* cited by examiner

Primary Examiner — George D. Kirschbaum

(**) Term: **15 Years**

(57) **CLAIM**

(21) Appl. No.: **35/502,860**

The ornamental design for a spectrometer, as shown and described.

(22) Filed: **Oct. 25, 2016**

DESCRIPTION

(80) **Hague Agreement Data**

Int. Filing Date: **Oct. 25, 2016**

Int. Reg. No.: **DM/093513**

Int. Reg. Date: **Oct. 25, 2016**

Int. Reg. Pub. Date: **Apr. 28, 2017**

1. Spectrometer
- 1.1 : Perspective
- 1.2 : Front
- 1.3 : Back
- 1.4 : Top
- 1.5 : Bottom
- 1.6 : Left
- 1.7 : Right
- 1.8 : Partial enlarged vertical sectional view
- 1.9 : Partial enlarged front view
- 1.10 : Partial enlarged perspective view

(30) **Foreign Application Priority Data**

May 30, 2016 (JP) 2016-011437

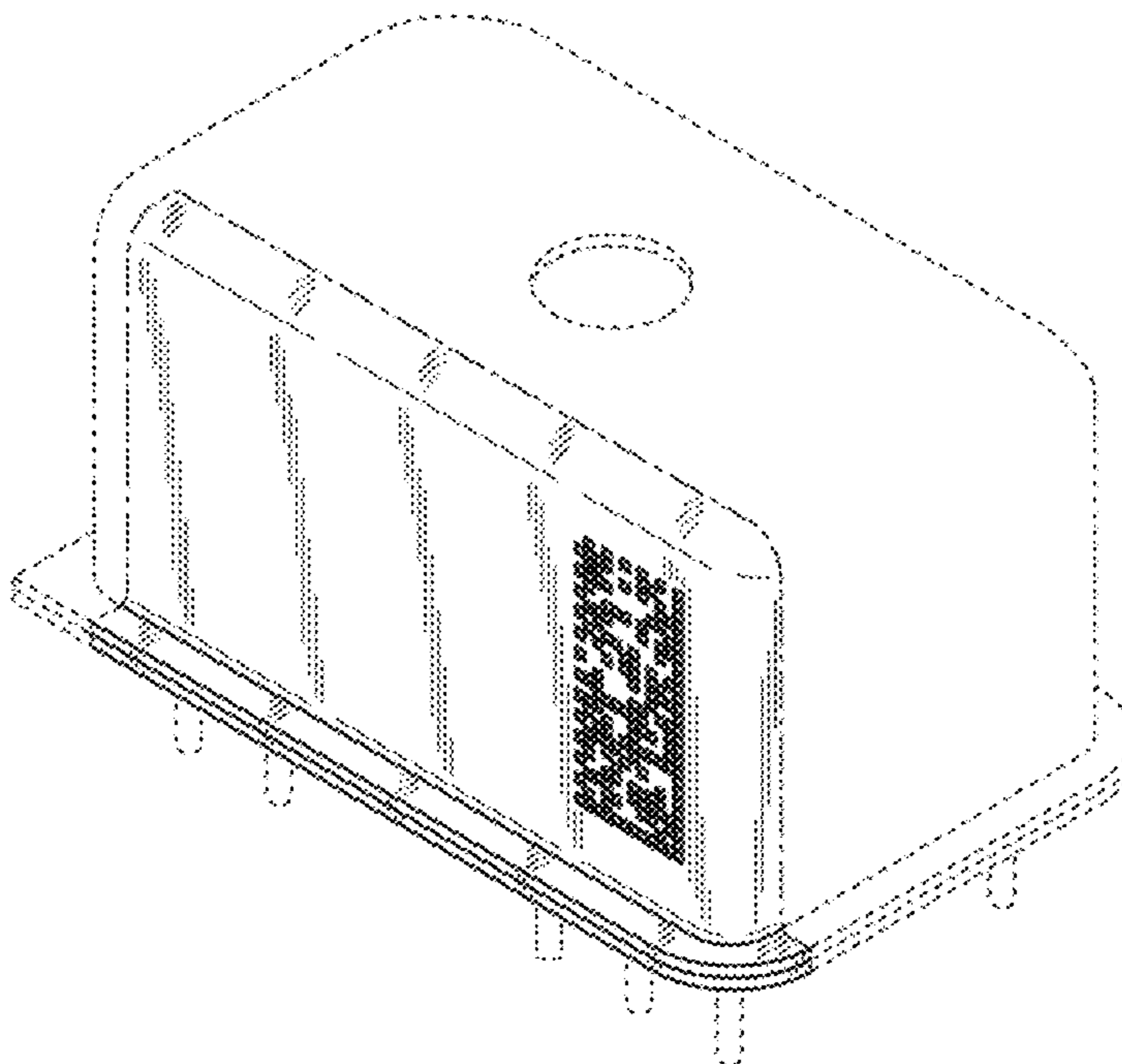
(51) **LOC (11) Cl.** **10-04**

(52) **U.S. Cl.**
USPC **D10/81**

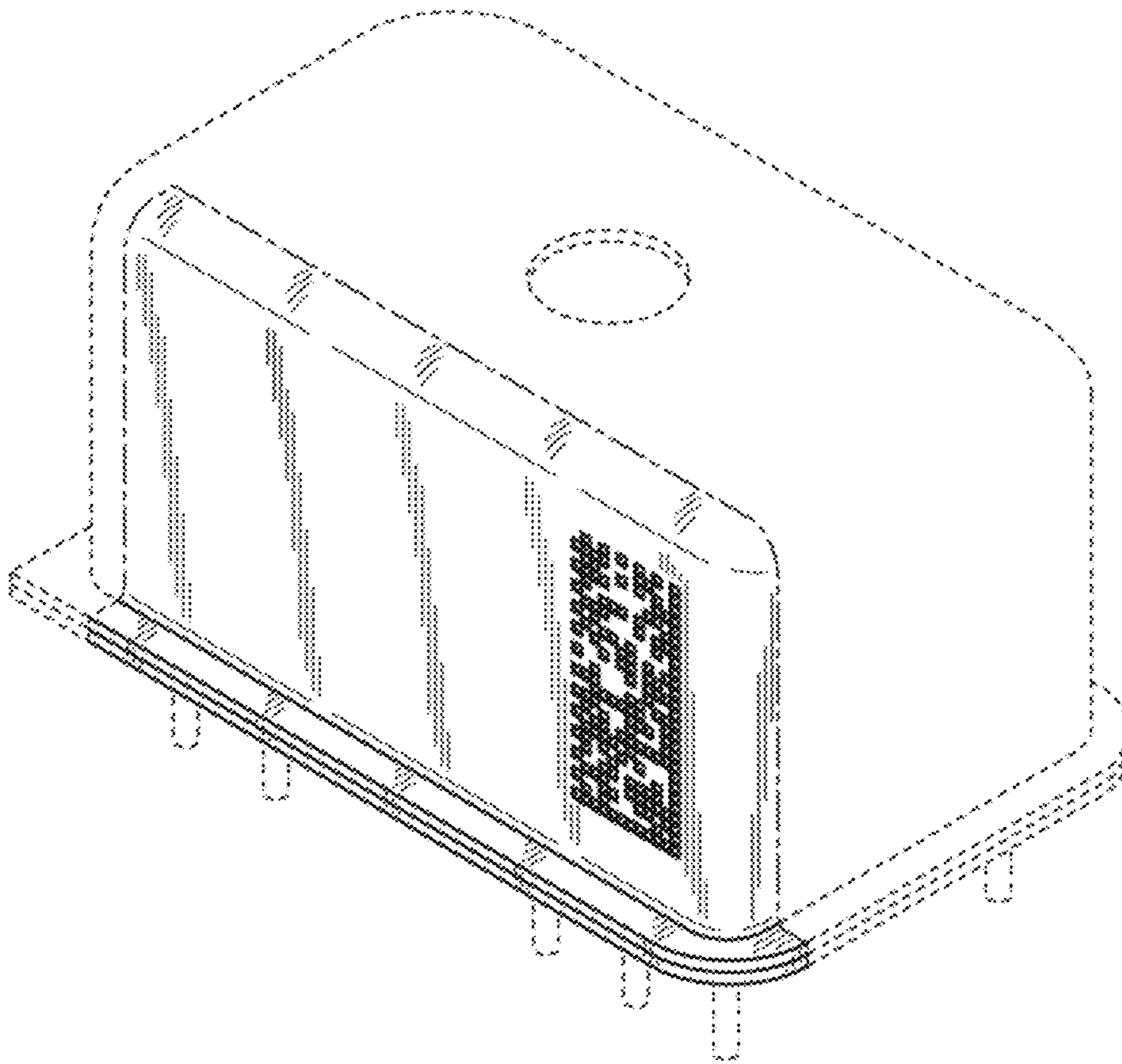
(58) **Field of Classification Search**
USPC D10/81, 47; D13/158, 159, 160
See application file for complete search history.

The broken line showing is included for the purpose of illustrating portions of the “article” and forms no part of the claimed design. The dash-dot-dash lines represent the boundary of the claimed design.

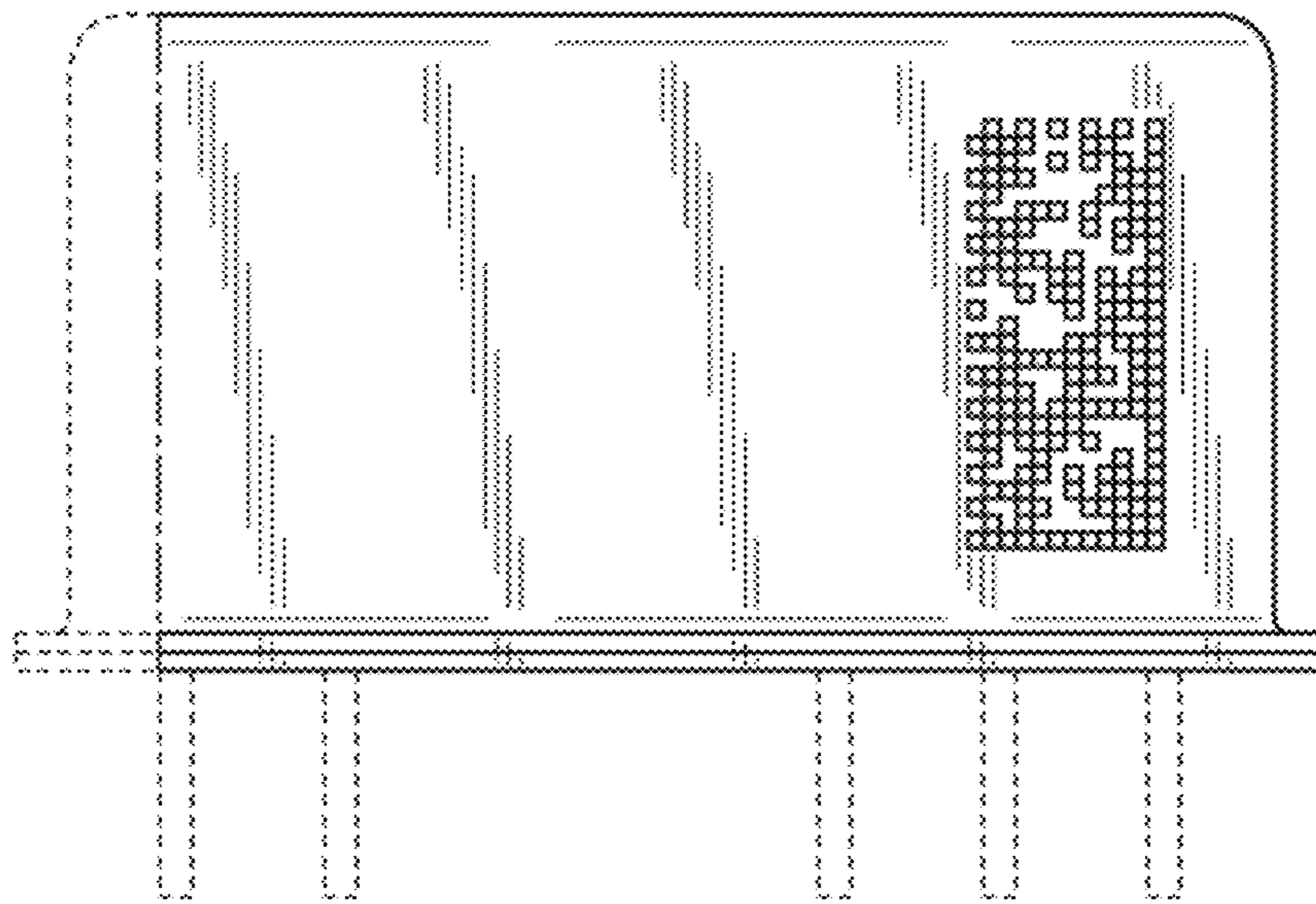
1 Claim, 10 Drawing Sheets



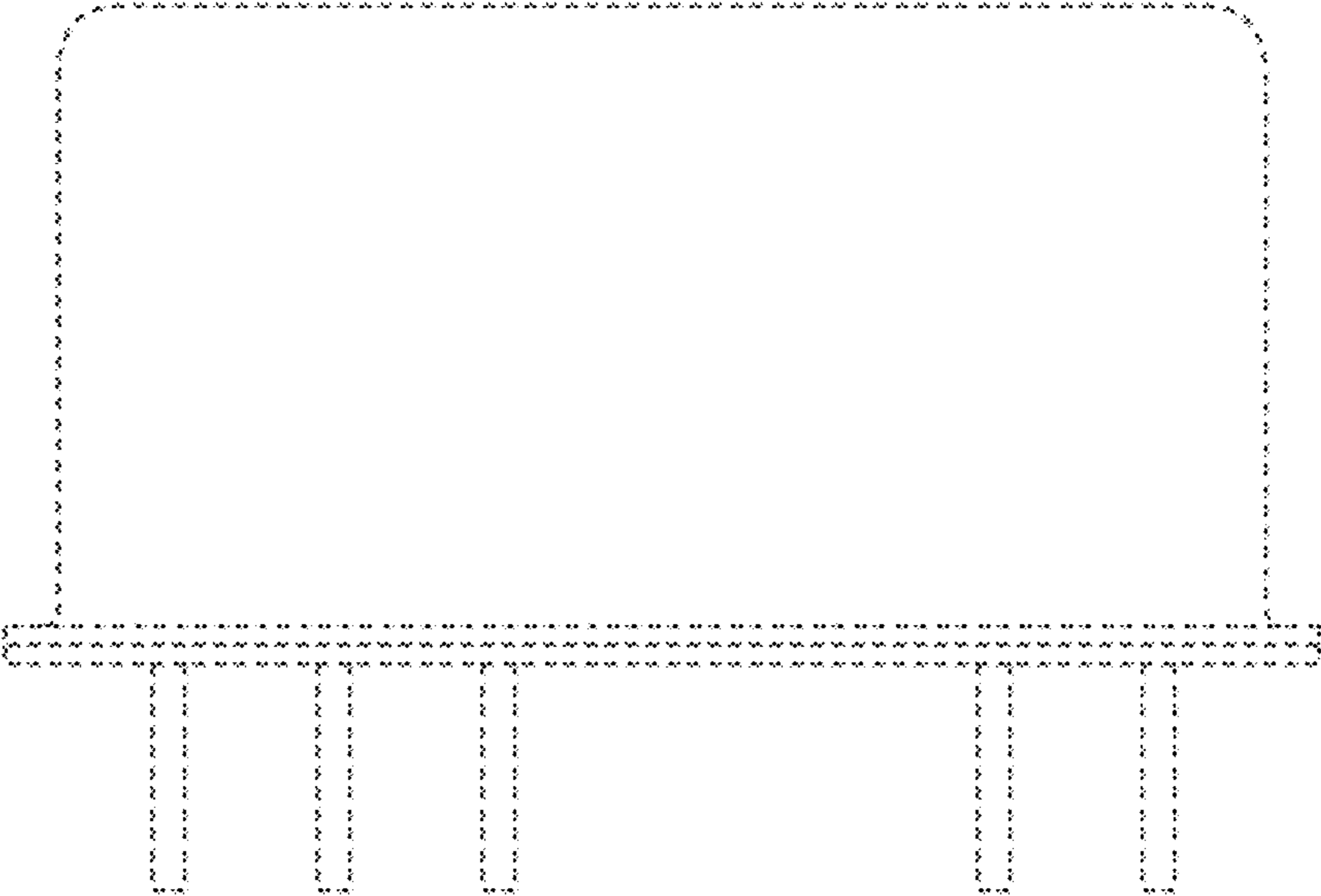
1.1



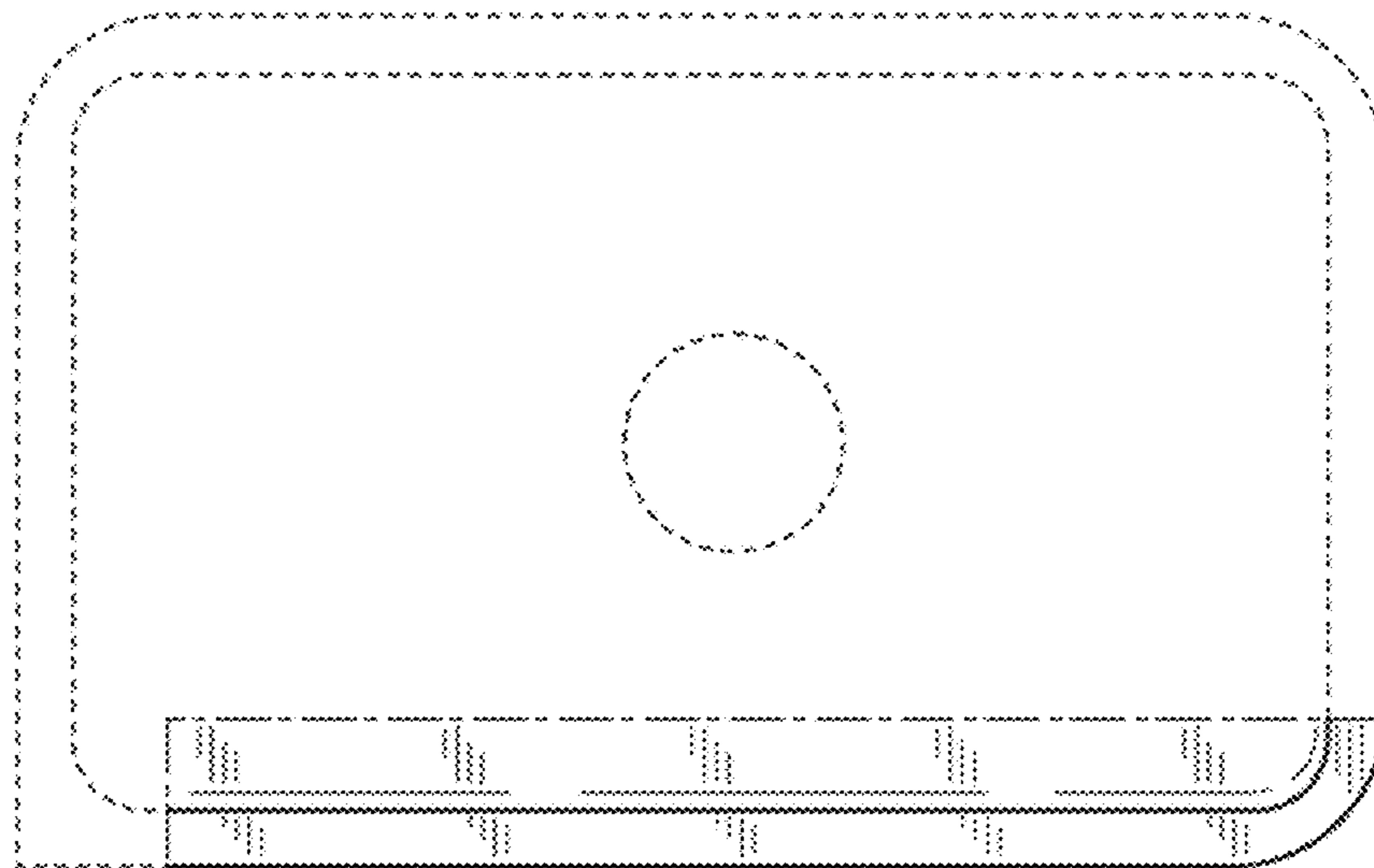
1.2



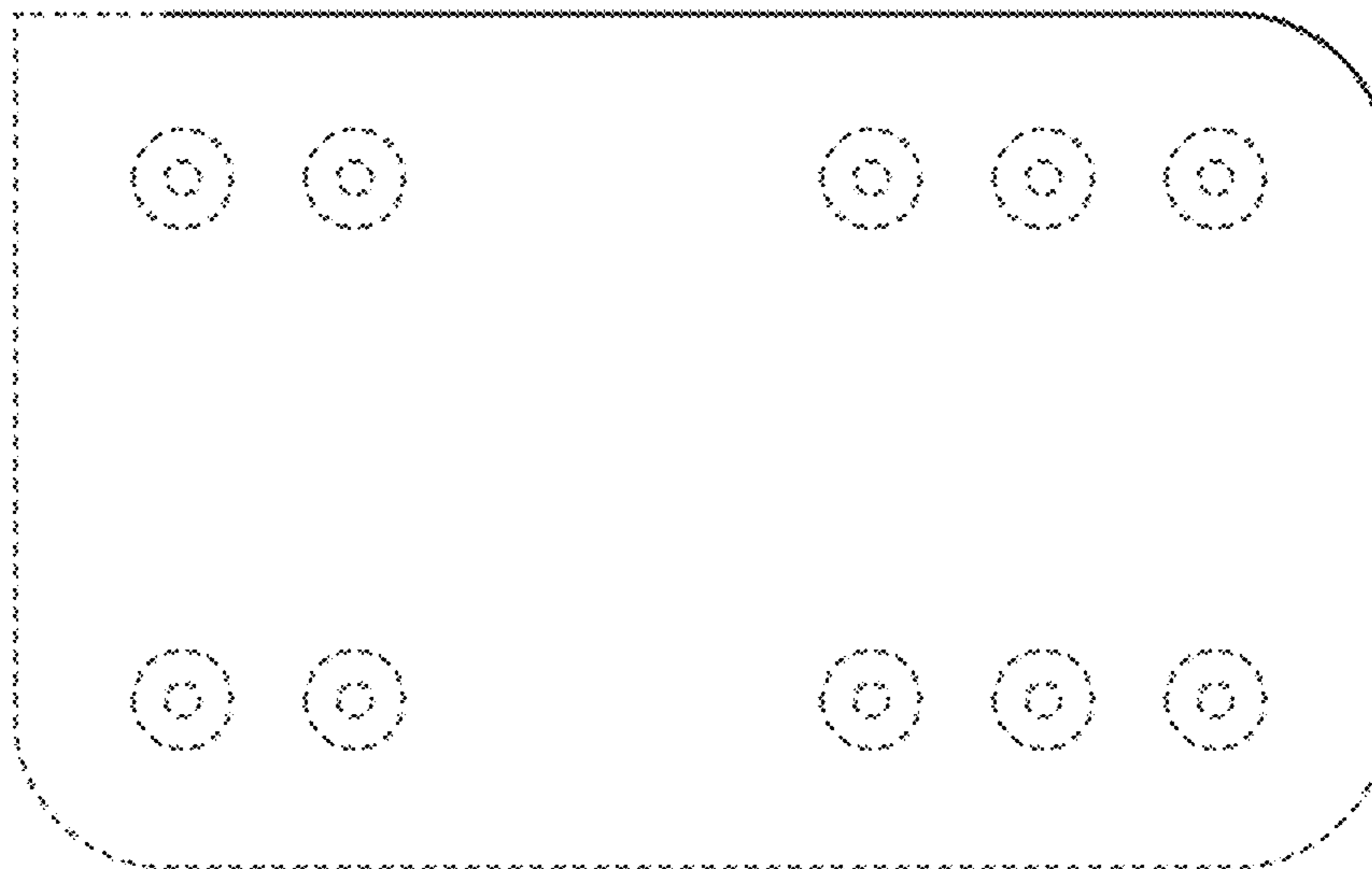
1.3



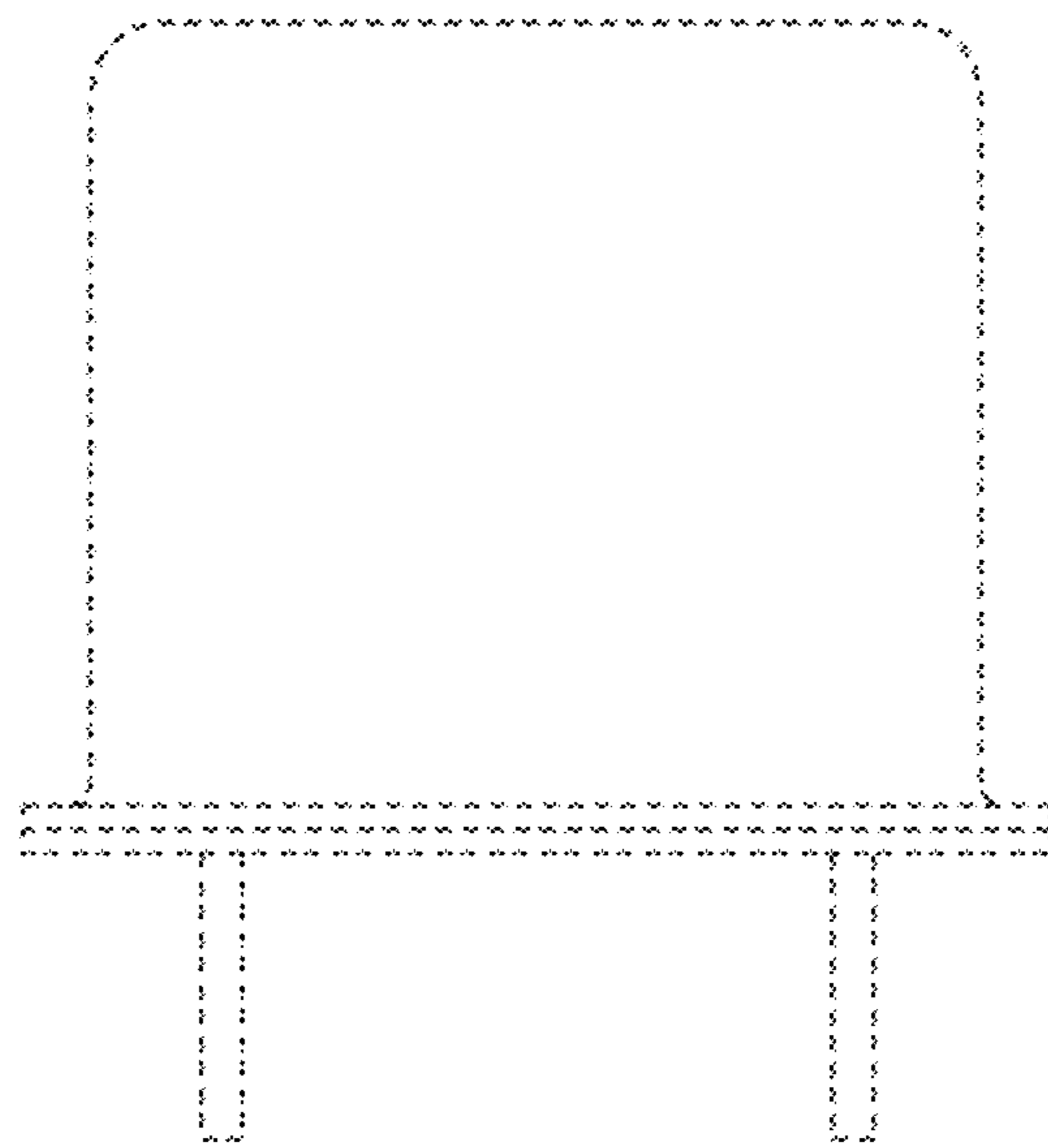
1.4



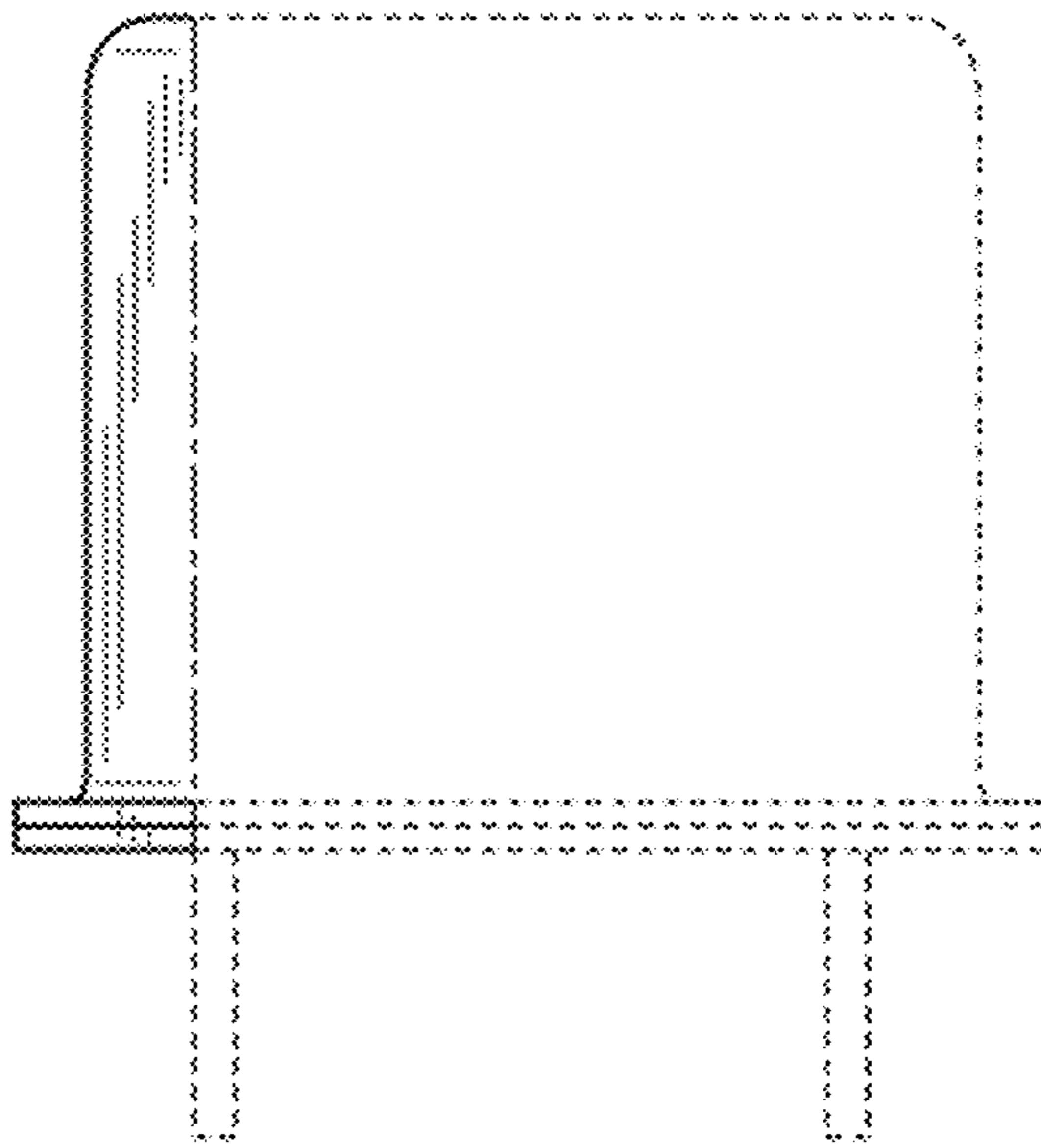
1.5



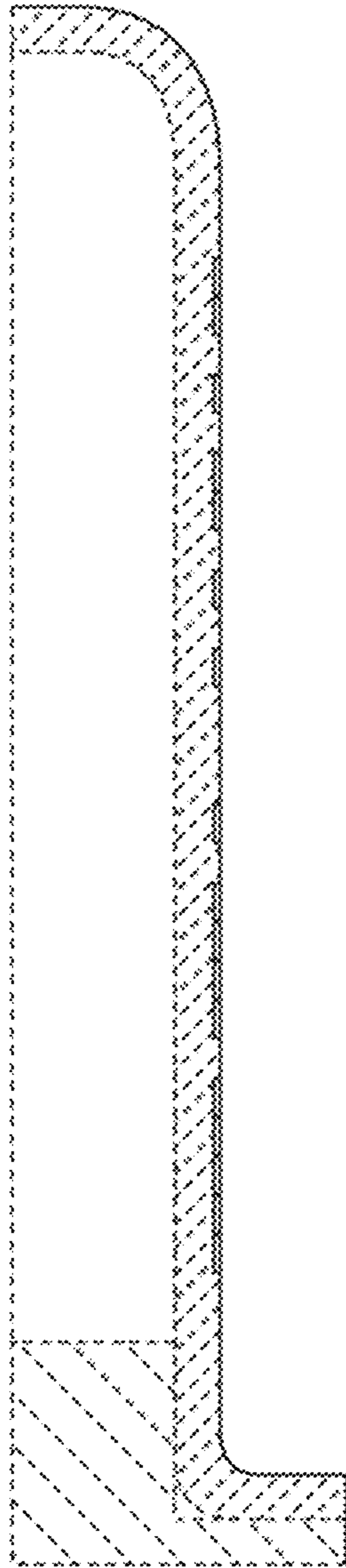
1.6



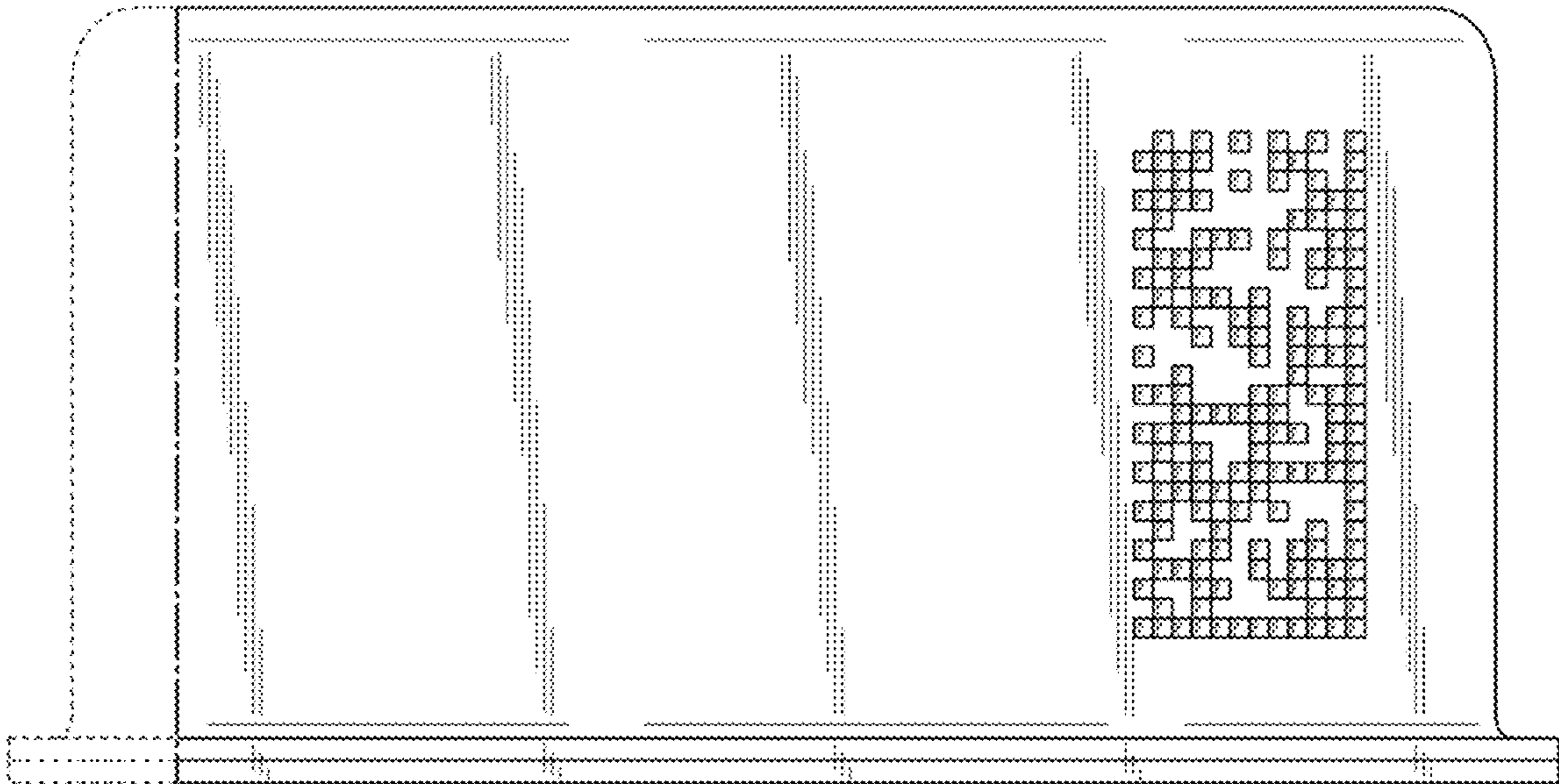
1.7



1.8



1.9



1.10

