



US00D821896S

(12) **United States Design Patent** (10) **Patent No.:** **US D821,896 S**
Clyenne et al. (45) **Date of Patent:** **** Jul. 3, 2018**

(54) **SENSOR MOUNT**

(71) Applicant: **GENERAL ELECTRIC COMPANY**,
Schenectady, NY (US)

(72) Inventors: **Thomas Clyenne**, East Cleveland, OH
(US); **Anirudha R. Deshpande**,
Cleveland Heights, OH (US); **Jonathan**
Robert Meyer, Shaker Heights, OH
(US); **Koushik Babi Saha**, Strongsville,
OH (US)

(73) Assignee: **GENERAL ELECTRIC COMPANY**,
Schenectady, NY (US)

(**) Term: **15 Years**

(21) Appl. No.: **29/582,396**

(22) Filed: **Oct. 27, 2016**

(51) **LOC (11) Cl.** **10-04**

(52) **U.S. Cl.**
USPC **D10/53; D10/68; D10/85; D14/358;**
D26/51

(58) **Field of Classification Search**
USPC D10/46, 52, 53, 55, 56, 57, 60, 68, 70,
D10/85; D14/358; D26/51, 52
CPC H04W 4/02; H04W 4/023; H04W 4/024;
H04W 4/025; H04W 4/026; H04W 4/027;
H04W 4/029; H04W 40/20; H04W 40/38;
H04W 40/04

See application file for complete search history.

(56) **References Cited**

U.S. PATENT DOCUMENTS

D449,301 S	*	10/2001	Stephens et al.	D14/358
D705,224 S	*	5/2014	Govindasamy et al.	D14/358
D716,674 S	*	11/2014	Herzl	D10/53
D745,422 S	*	12/2015	Lanini	D10/70
D776,656 S	*	1/2017	Lagerstedt et al.	D14/358
D803,074 S	*	11/2017	Dingjian et al.	D10/60
D811,377 S	*	2/2018	Wang	D14/358

* cited by examiner

Primary Examiner — Antoine Duval Davis

(74) *Attorney, Agent, or Firm* — Peter T. DiMauro; GE
Global Patent Operation

(57) **CLAIM**

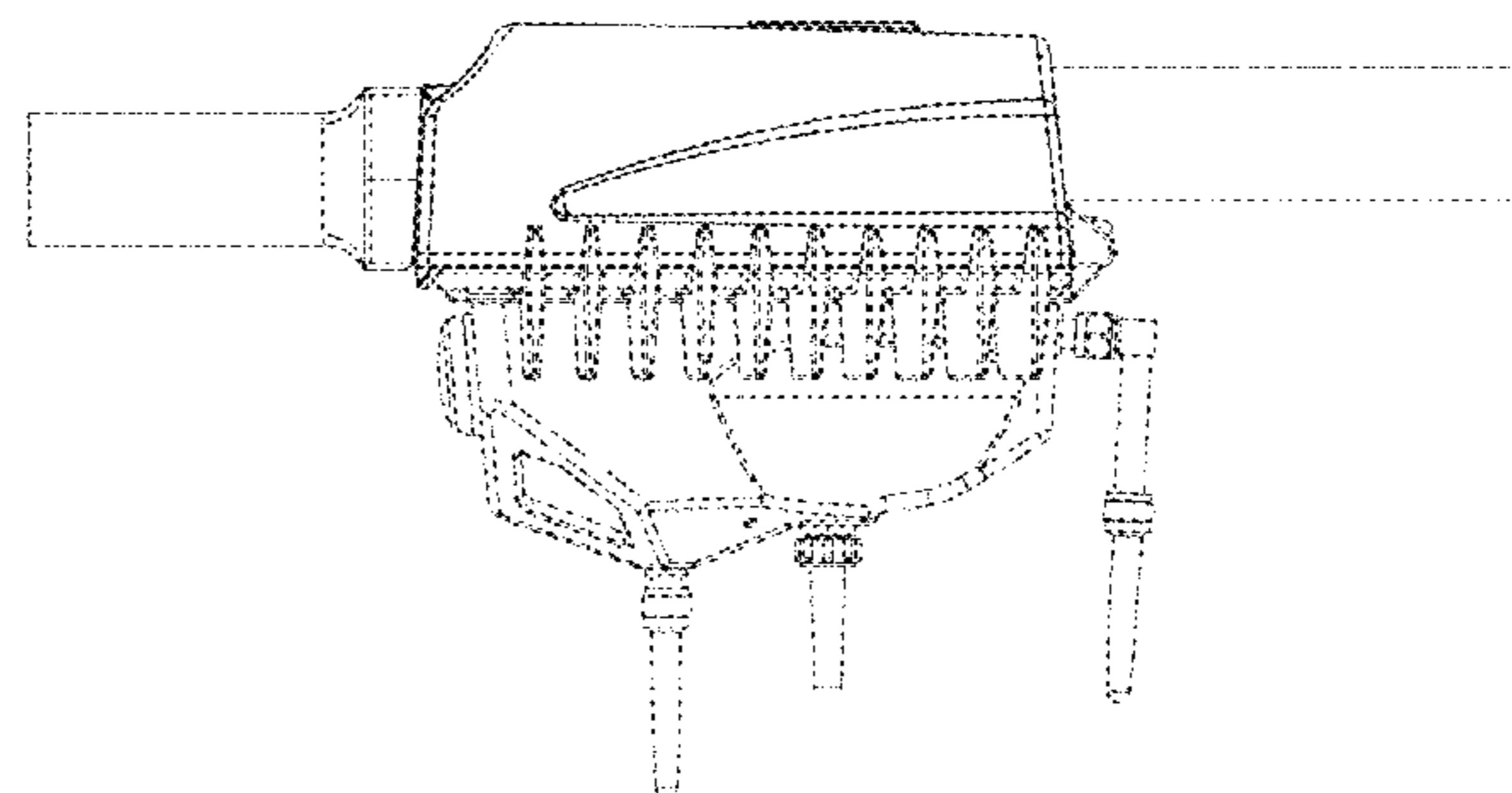
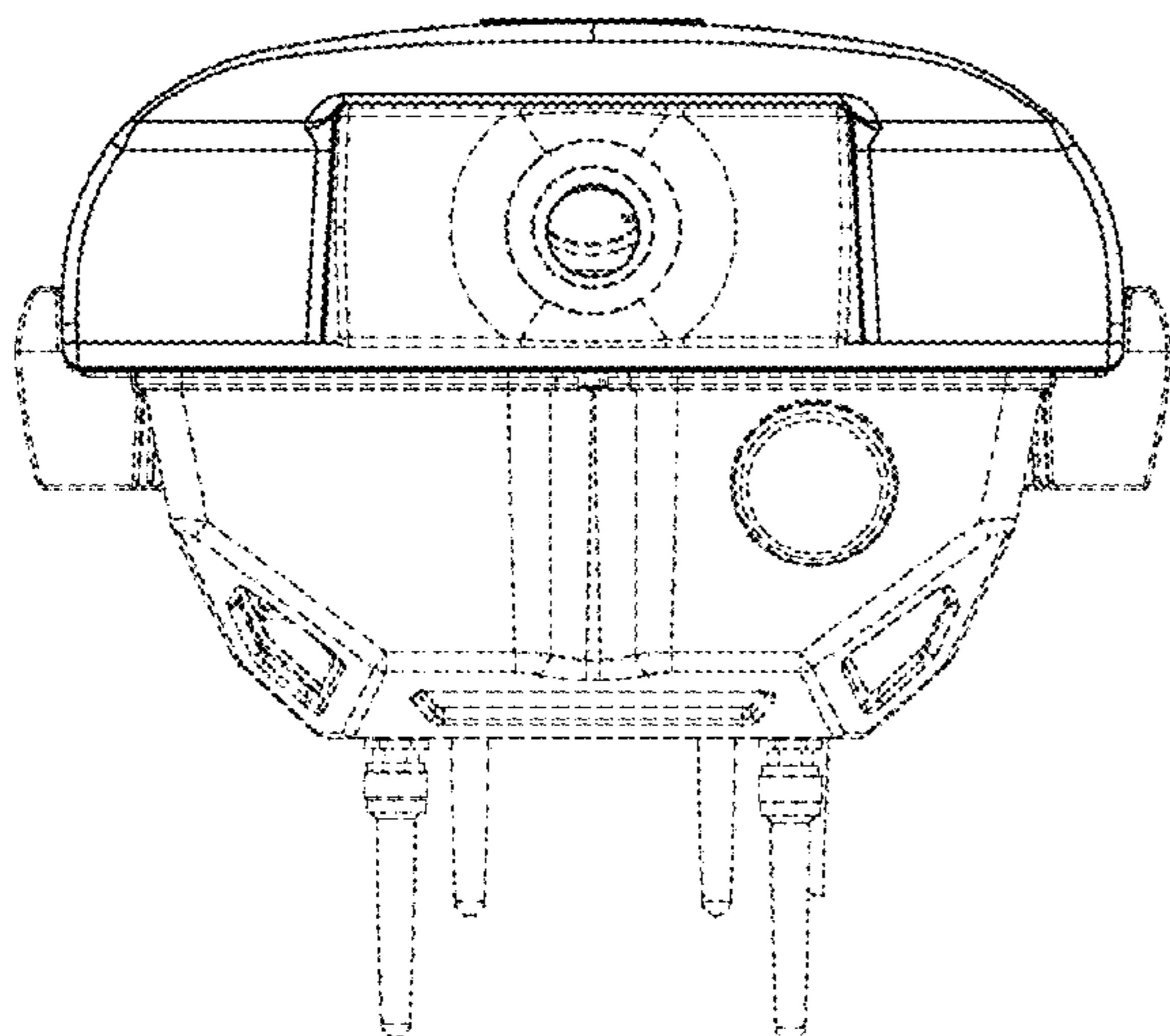
The ornamental design for a sensor mount, as shown and described.

DESCRIPTION

FIG. 1 is a front elevation view of a sensor mount;
FIG. 2 is a side view of the sensor mount of FIG. 1;
FIG. 3 is a top plan view of the sensor mount of FIG. 1
FIG. 4 is a bottom plan view of the sensor mount of FIG. 1
FIG. 5 is rear view of the sensor mount of FIG. 1; and,
FIG. 6 is an opposite side view of the sensor mount of FIG.
1.

The phantom and broken lines are for illustrative purposes only and form no part of the claimed design.

1 Claim, 6 Drawing Sheets



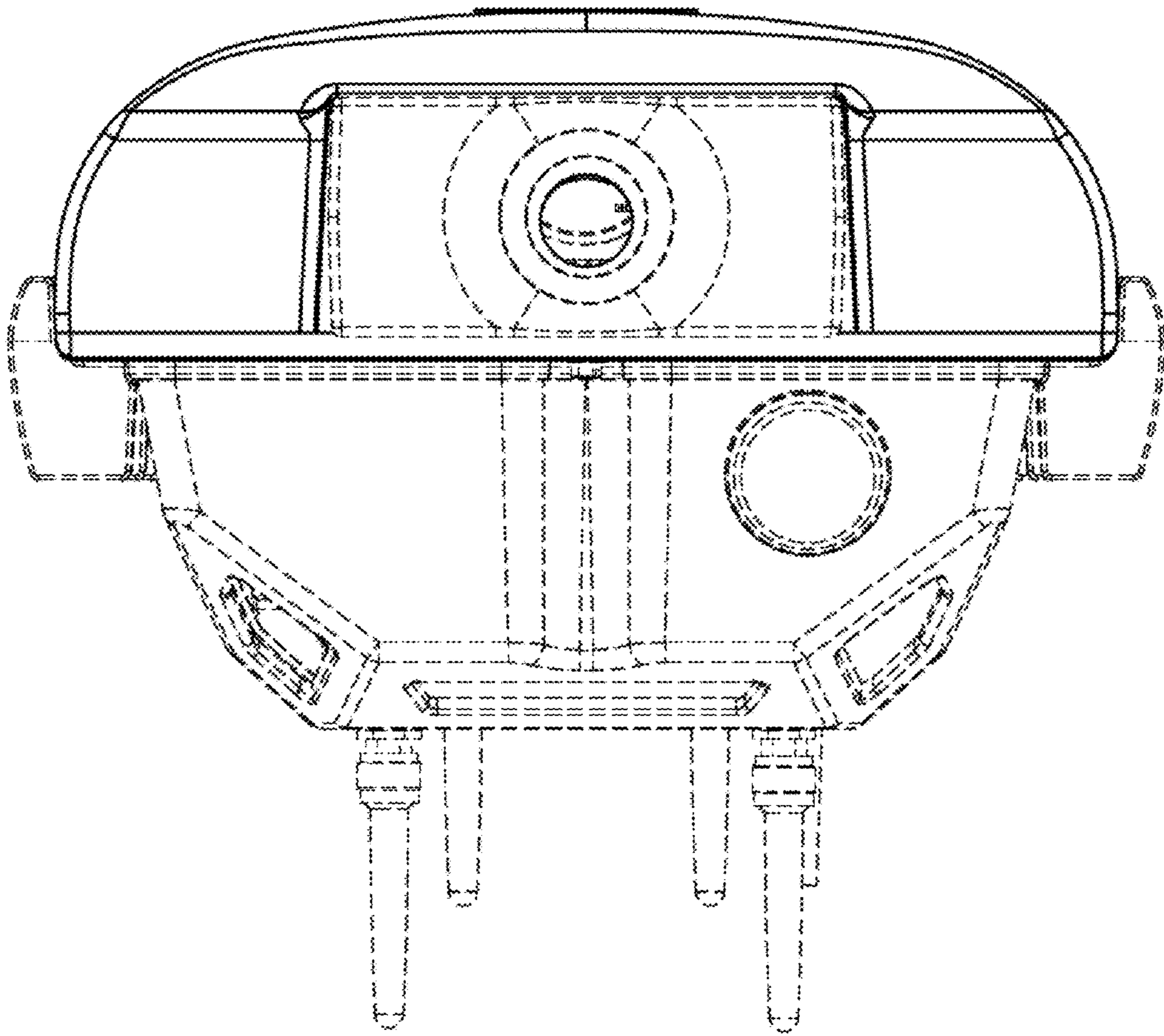


Fig. 1

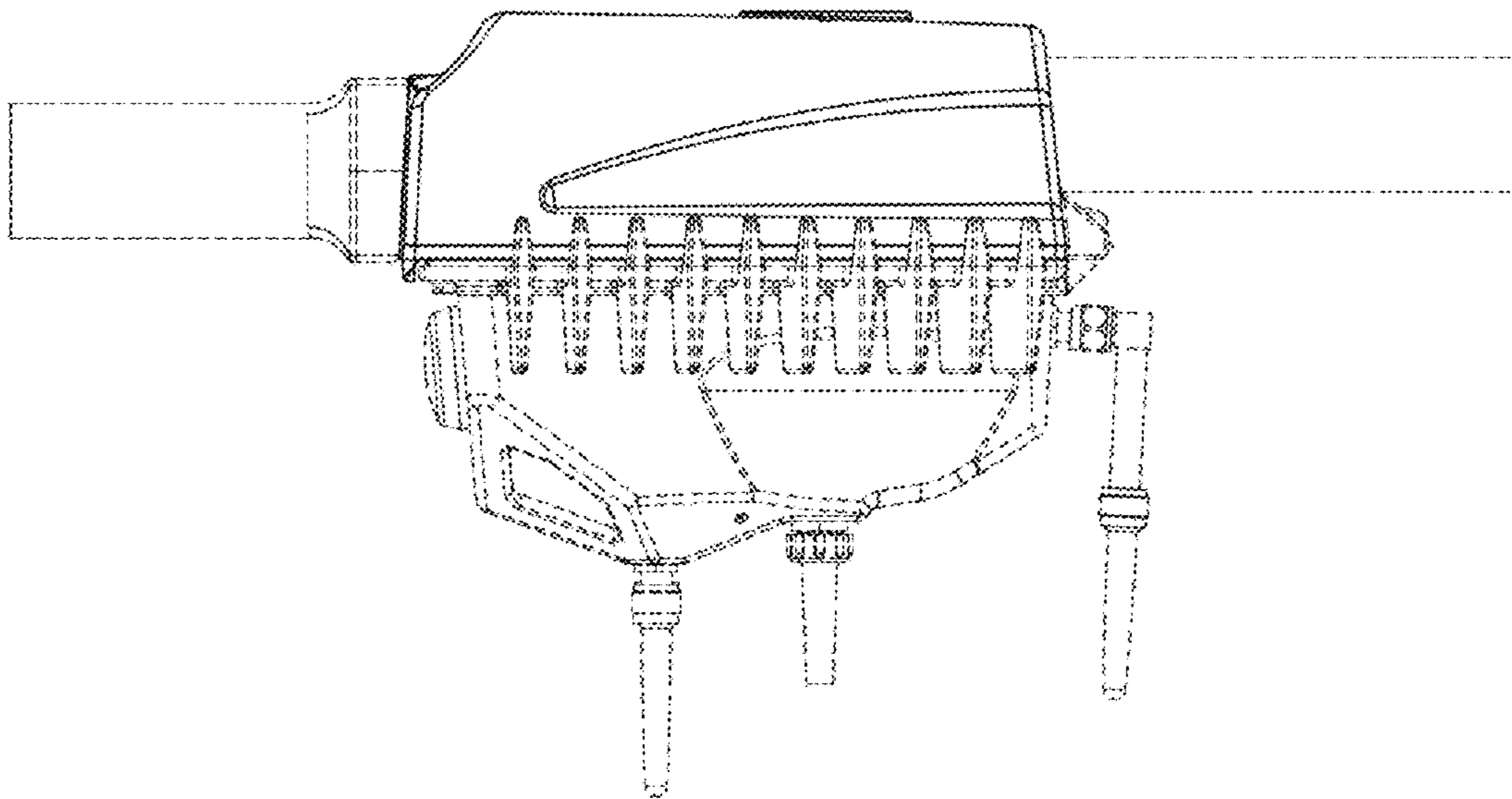


Fig. 2

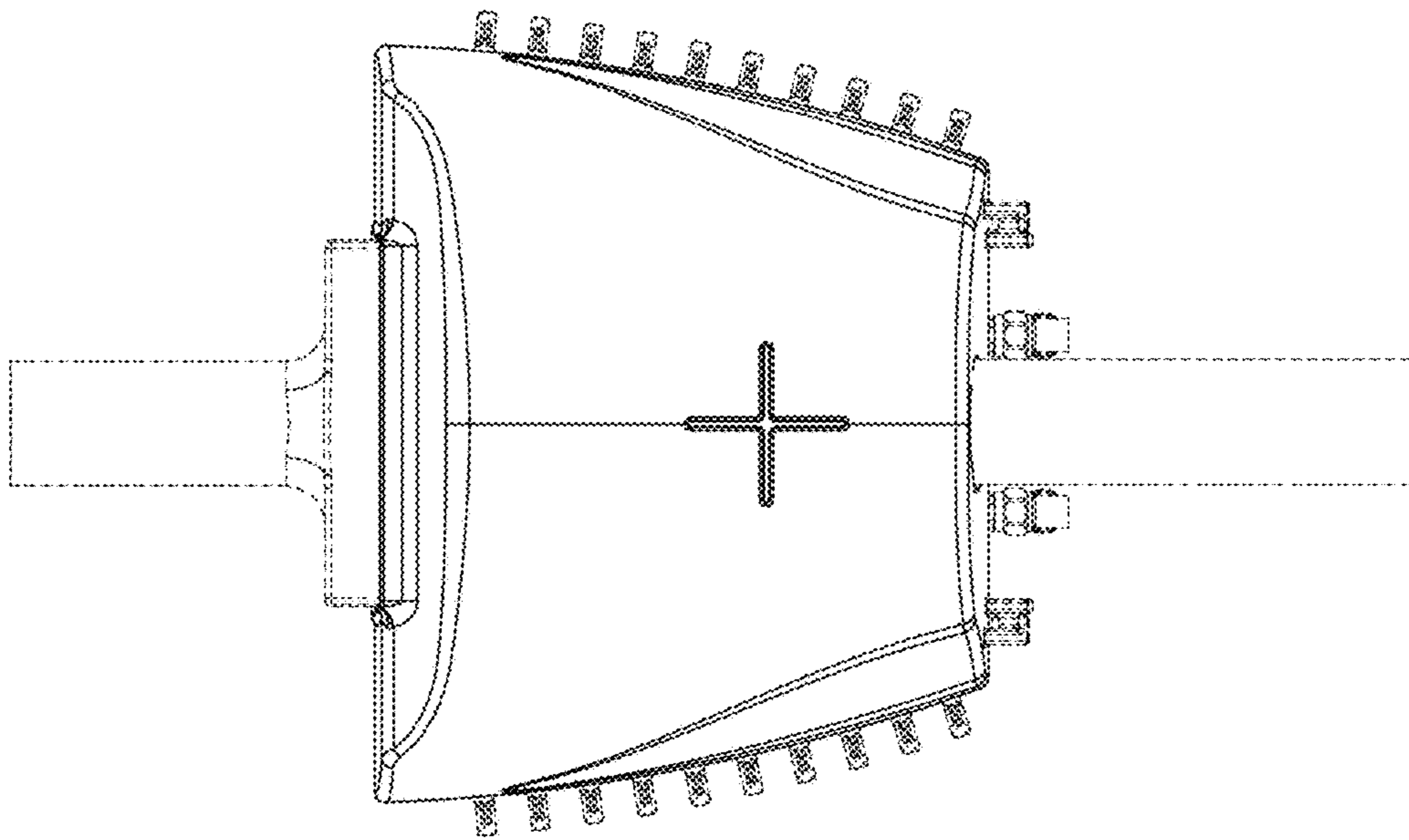


Fig. 3

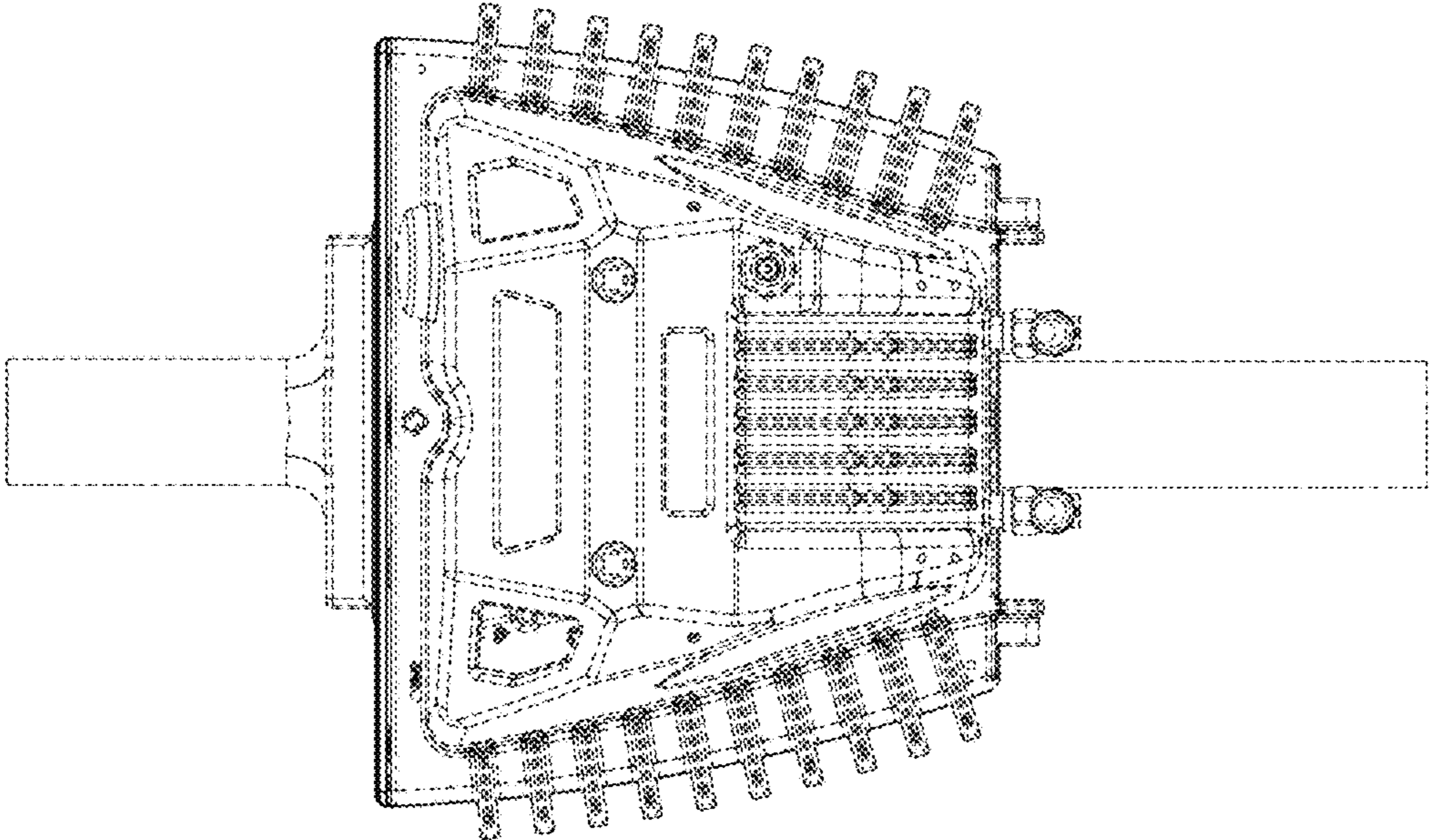


Fig. 4

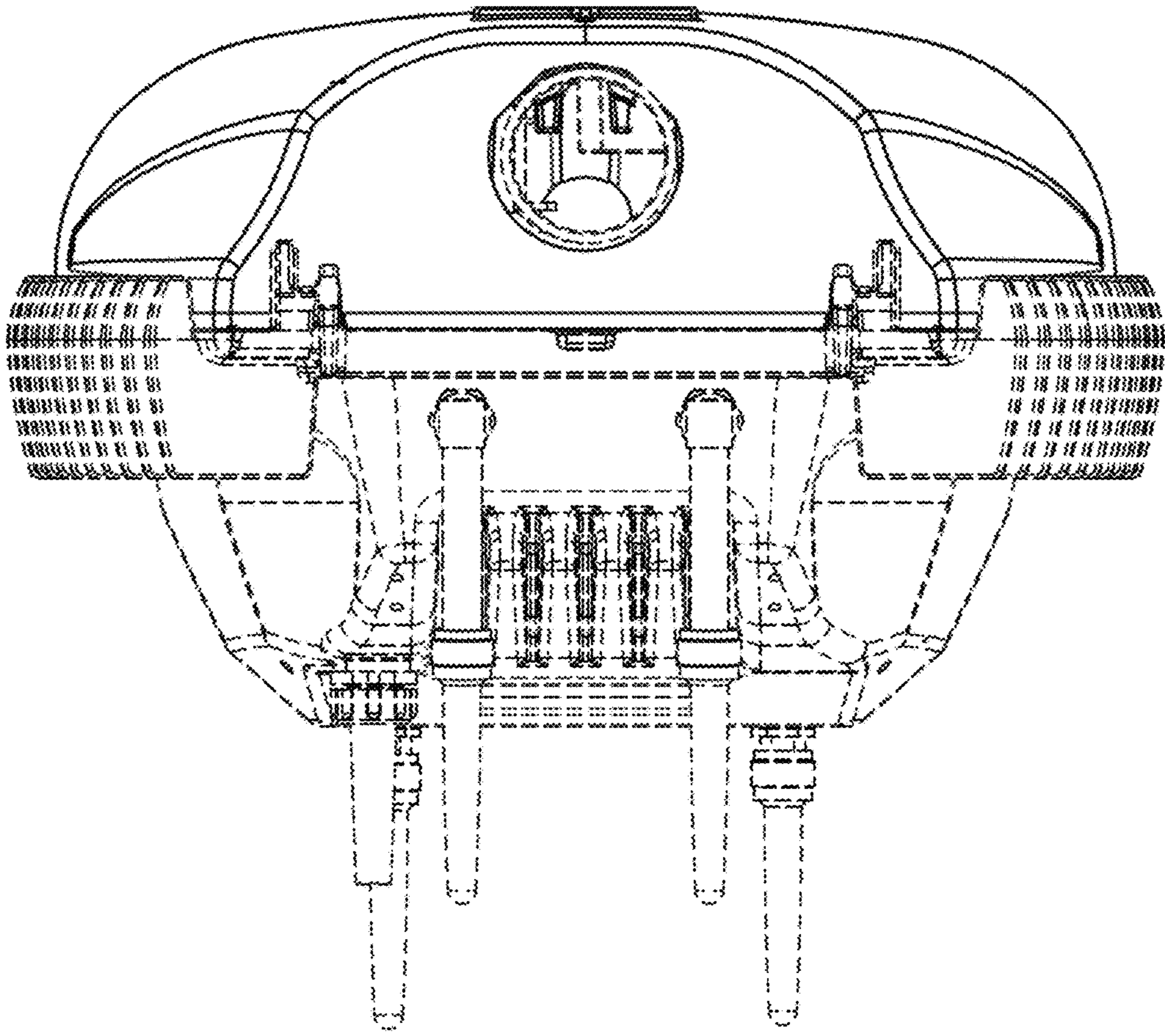


Fig. 5

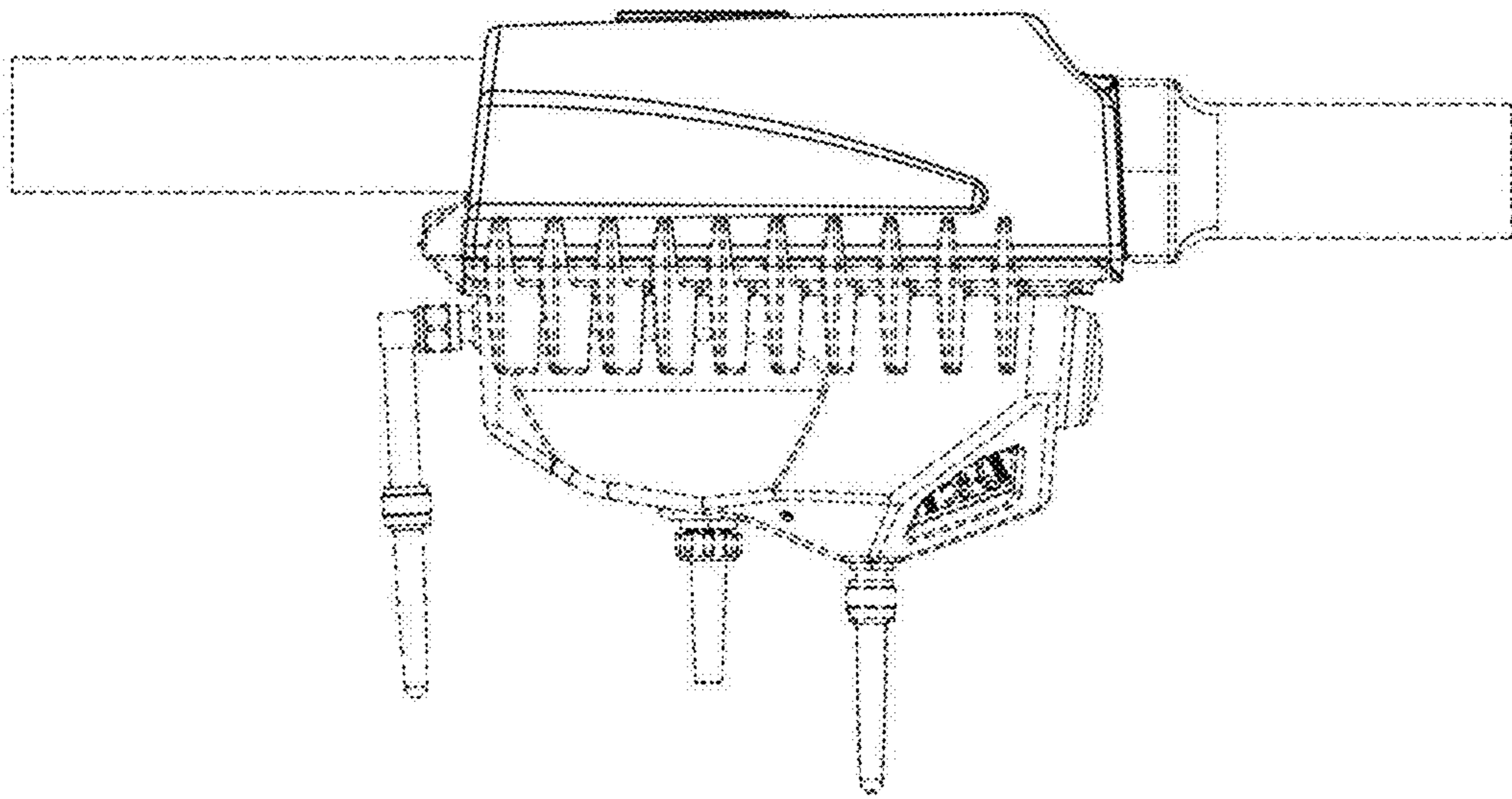


Fig. 6