



US00D821895S

(12) **United States Design Patent** (10) **Patent No.:** **US D821,895 S**
Jeong (45) **Date of Patent:** **** Jul. 3, 2018**

(54) **VEHICLE BLACK BOX**

(71) Applicant: **LG INNOTEK CO., LTD.**, Seoul (KR)

(72) Inventor: **Ki Hyun Jeong**, Seoul (KR)

(73) Assignee: **LG INNOTEK CO., LTD.**, Seoul (KR)

(**) Term: **15 Years**

(21) Appl. No.: **29/591,906**

(22) Filed: **Jan. 25, 2017**

(30) **Foreign Application Priority Data**

Jul. 25, 2016 (KR) 30-2016-0036277

(51) **LOC (11) Cl.** **10-04**

(52) **U.S. Cl.**

USPC **D10/46; D10/104.1**

(58) **Field of Classification Search**

USPC D10/46, 70, 75, 98, 104.1

CPC .. G08B 25/004; G08B 25/009; G08B 25/016;
 B60R 2021/2027; G07C 5/002; G07C
 5/085; G07C 5/0858; G07C 5/008; G07C
 5/08; G07C 5/0808; G07C 5/0816; G07C
 5/0875; G07C 5/0883; G01L 5/0052;
 G01L 5/047; G08G 1/16; G08G 1/161;
 G08G 1/162; G08G 1/163; G08G 1/164;
 G08G 1/165; G08G 1/166; G08G 1/167;
 G08G 1/168; G06K 9/00805

See application file for complete search history.

(56) **References Cited**

U.S. PATENT DOCUMENTS

6,706,966 B2 *	3/2004	Browning	G07C 5/008
				174/542
D516,441 S *	3/2006	Iida	D10/46
D519,859 S *	5/2006	Chinnadurai	D10/46
8,387,552 B2 *	3/2013	Branch	G01L 5/0052
				116/203
8,392,056 B1 *	3/2013	Dahl	G07C 5/0808
				341/155

* cited by examiner

Primary Examiner — Antoine D Davis

(74) *Attorney, Agent, or Firm* — Saliwanchik, Lloyd & Eisenschenk

(57) **CLAIM**

The ornamental design for a vehicle black box, as shown and described.

DESCRIPTION

FIG. 1 is a perspective view of a vehicle black box of the present design.

FIG. 2 is a front view thereof.

FIG. 3 is a rear view thereof.

FIG. 4 is a left side view thereof.

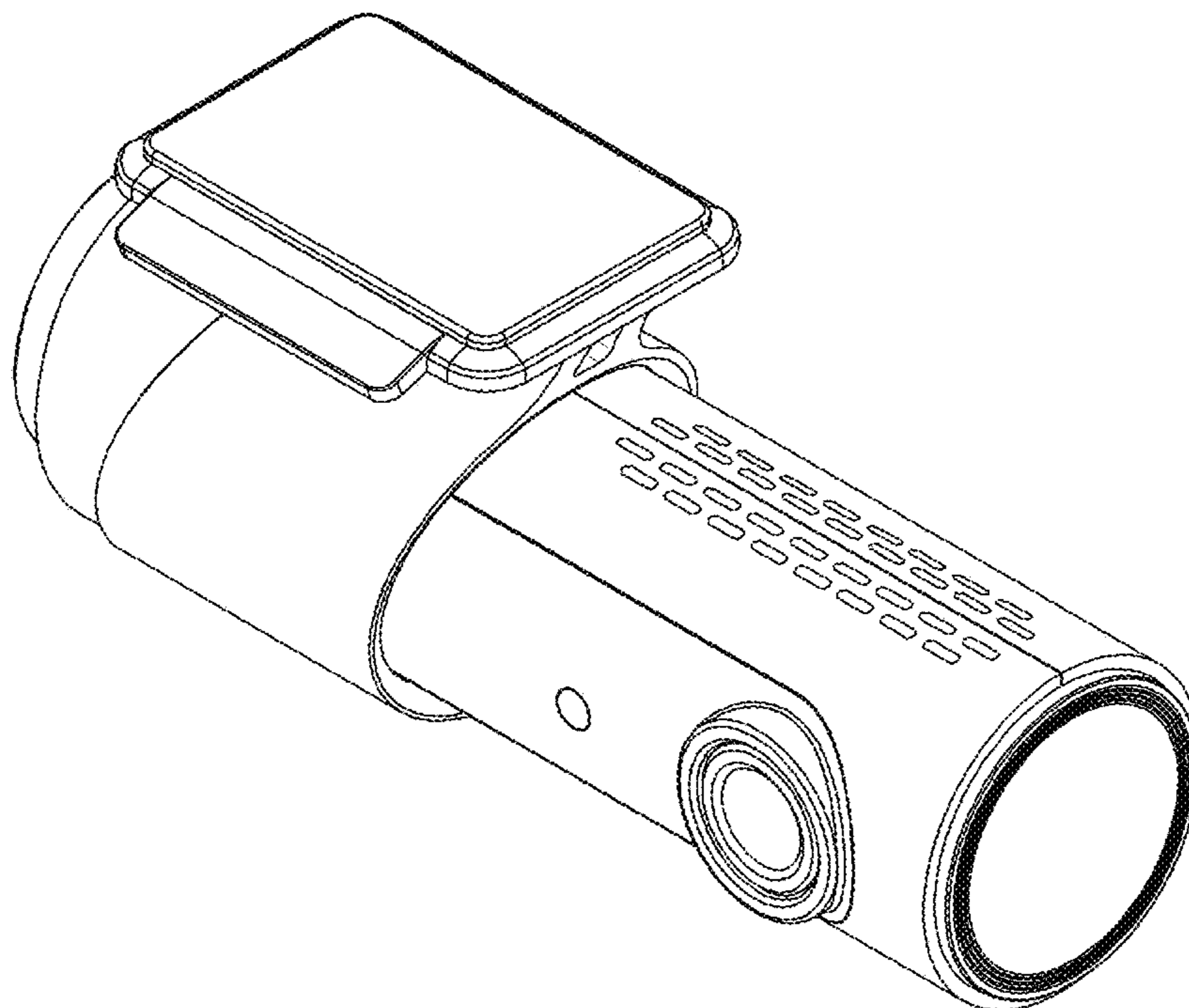
FIG. 5 is a right side view thereof.

FIG. 6 is a plan view thereof; and,

FIG. 7 is a bottom view thereof.

Portions of the vehicle black box depicted in broken lines form no part of the claimed design.

1 Claim, 5 Drawing Sheets



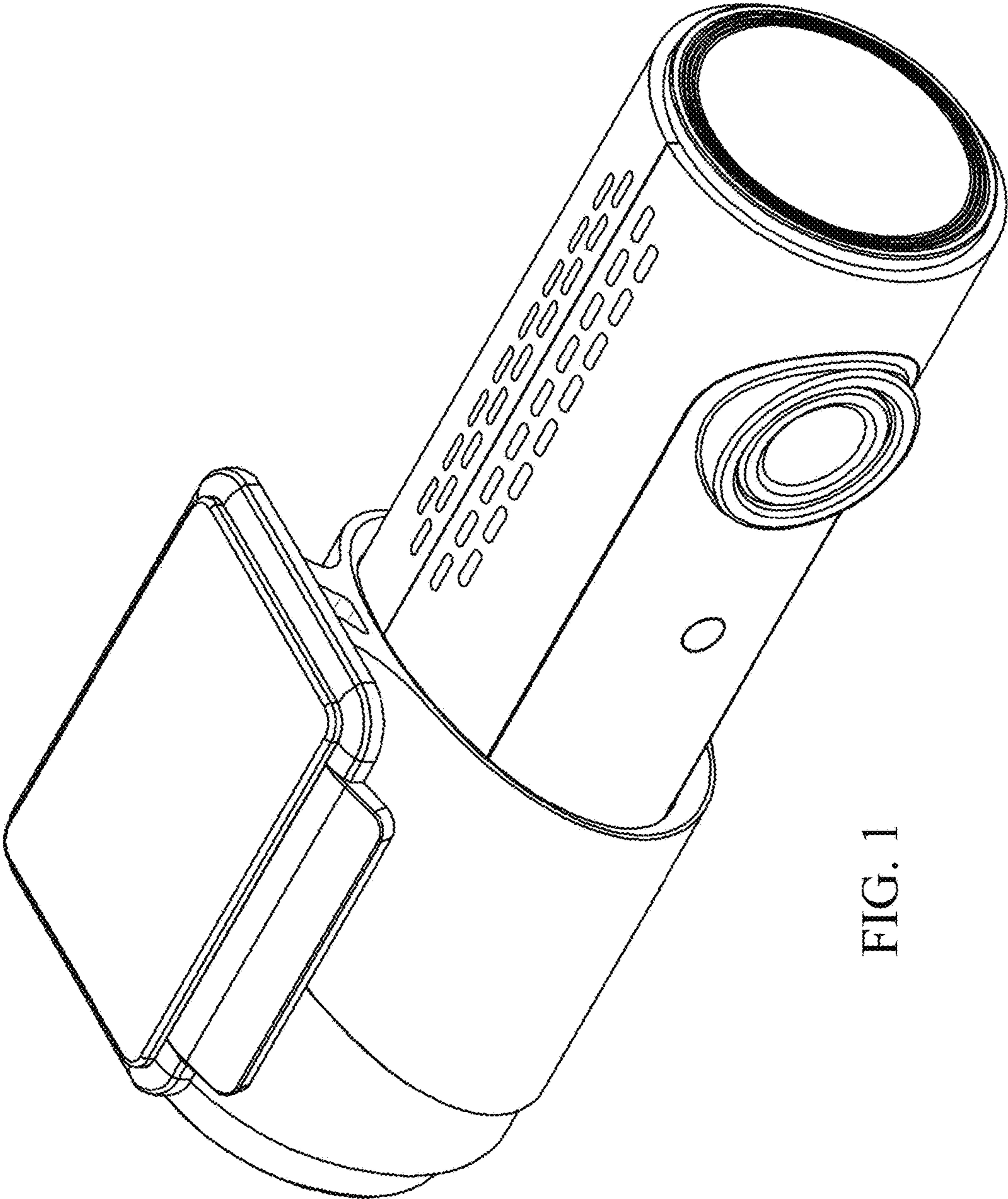


FIG. 1

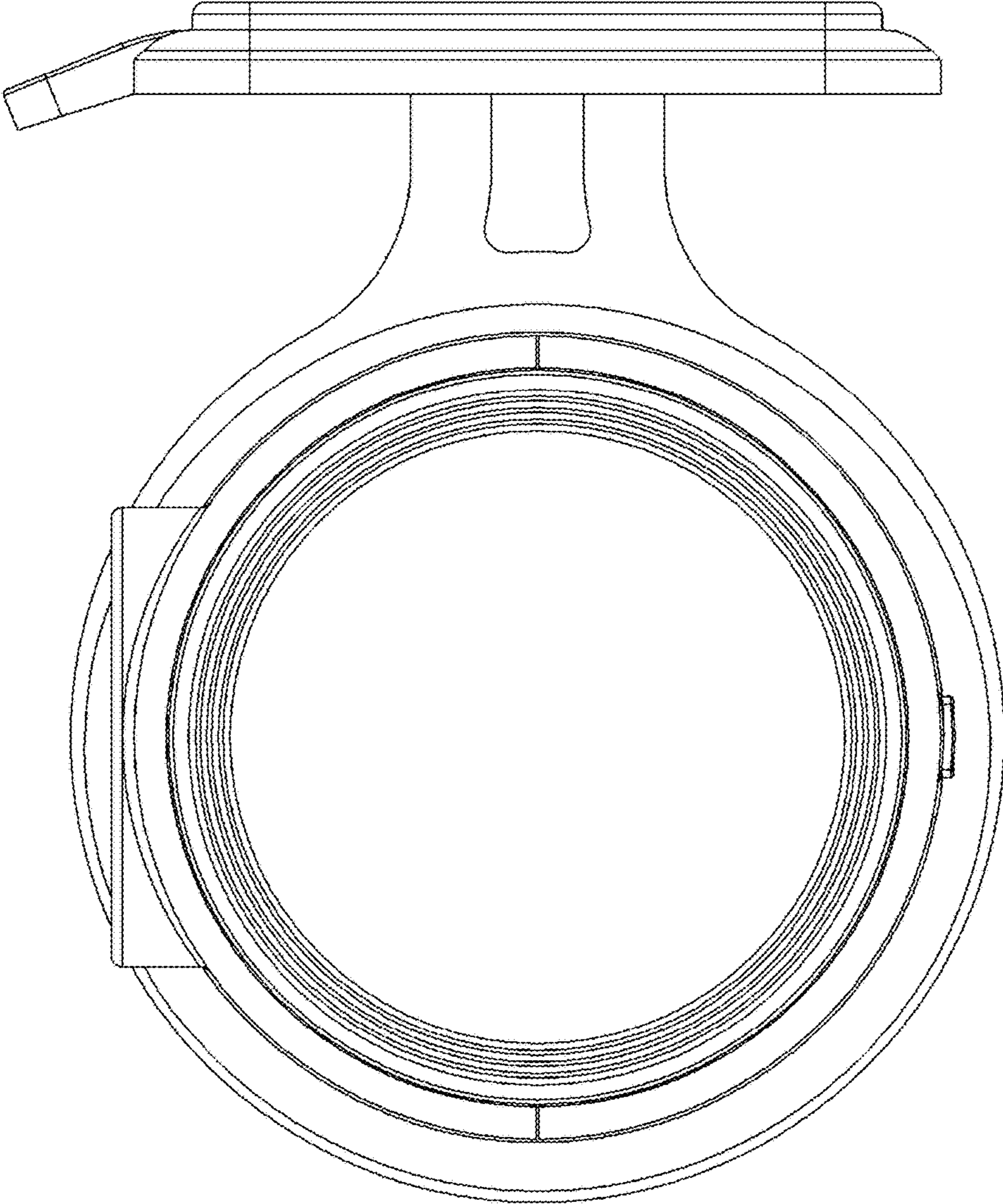


FIG. 2

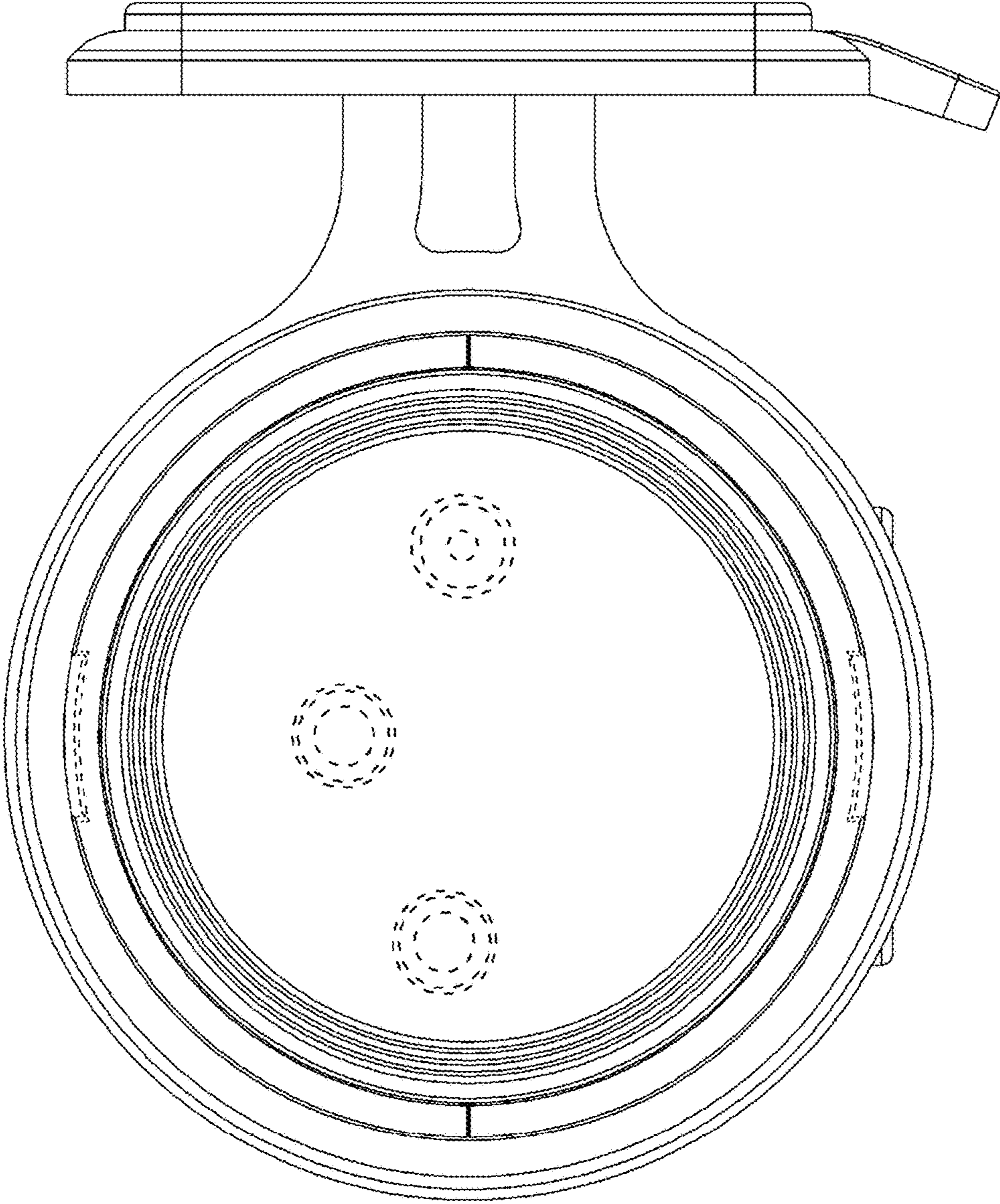


FIG. 3

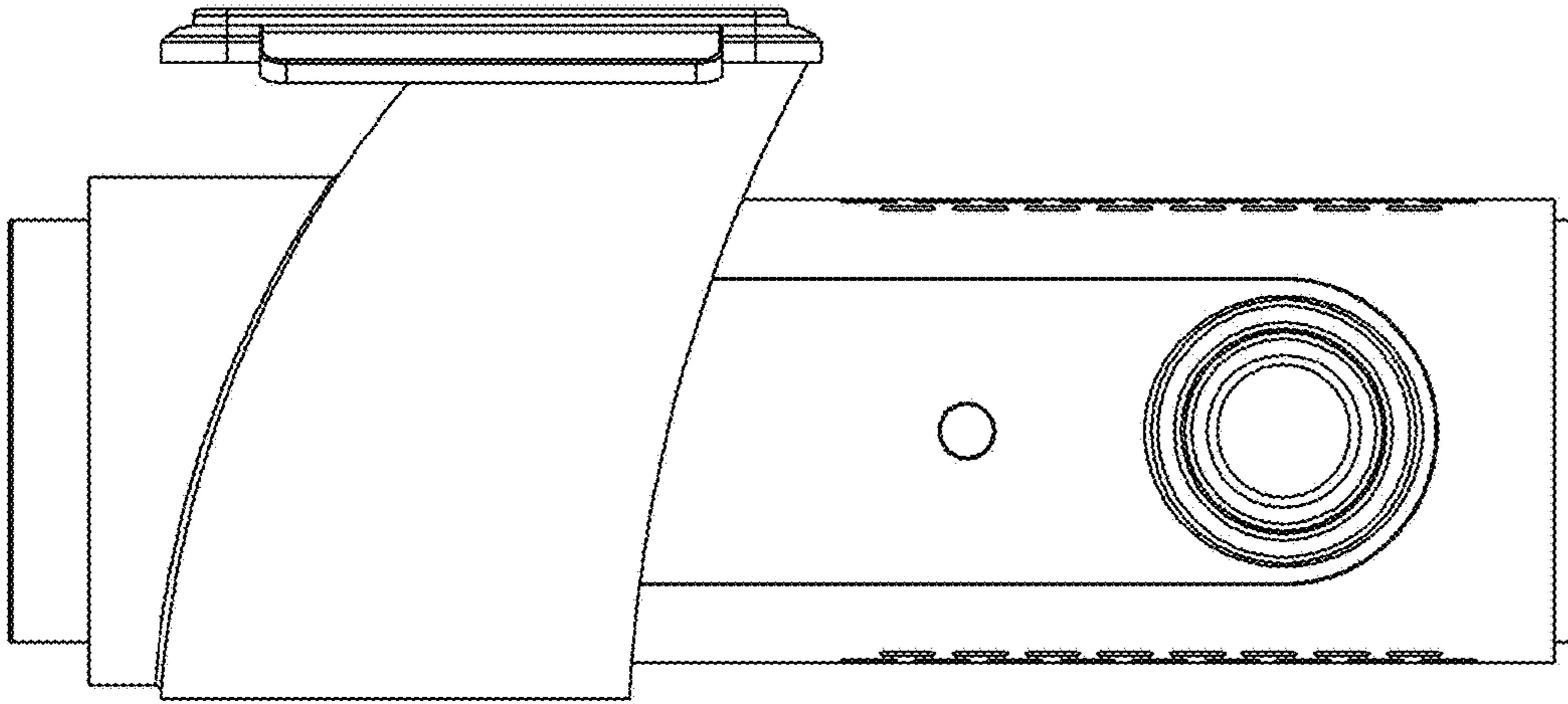


FIG. 4

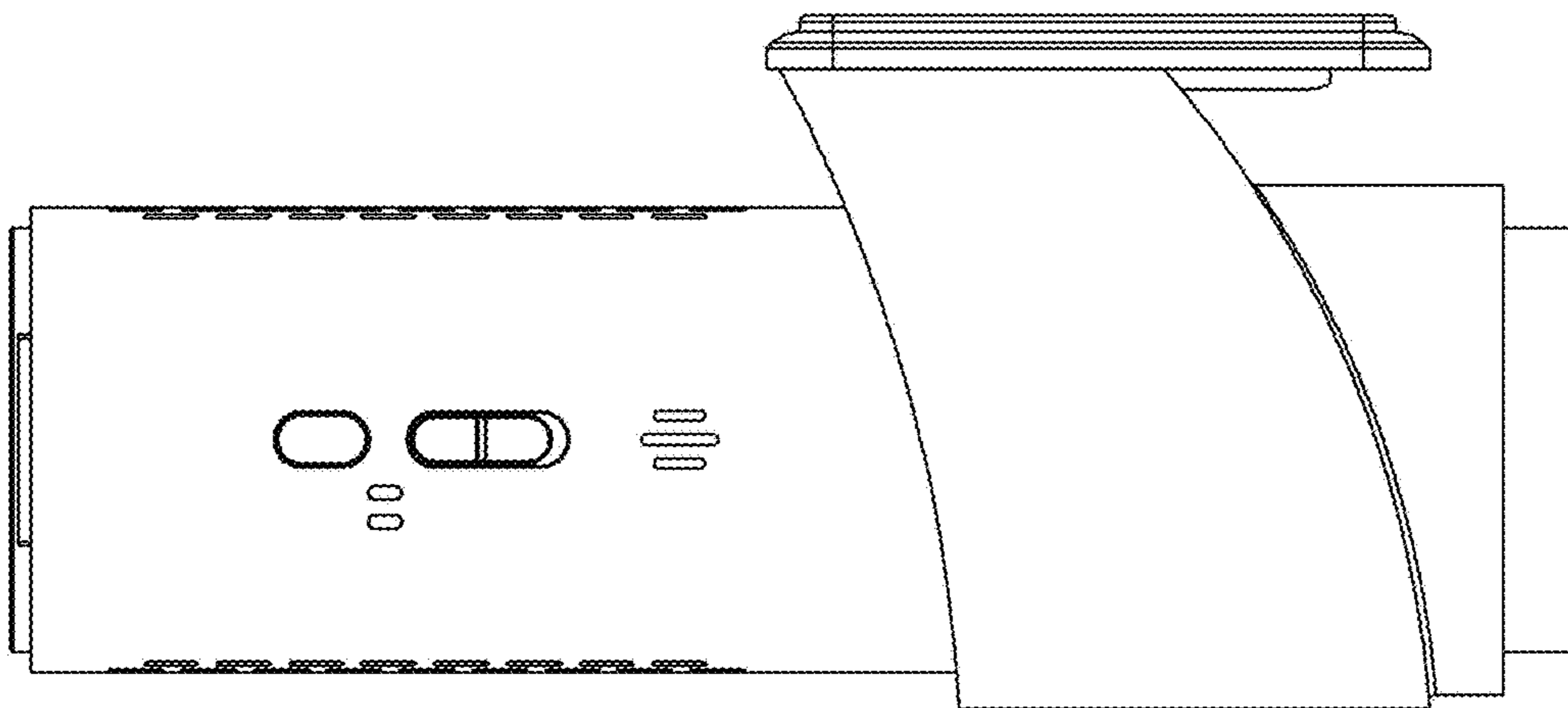


FIG. 5

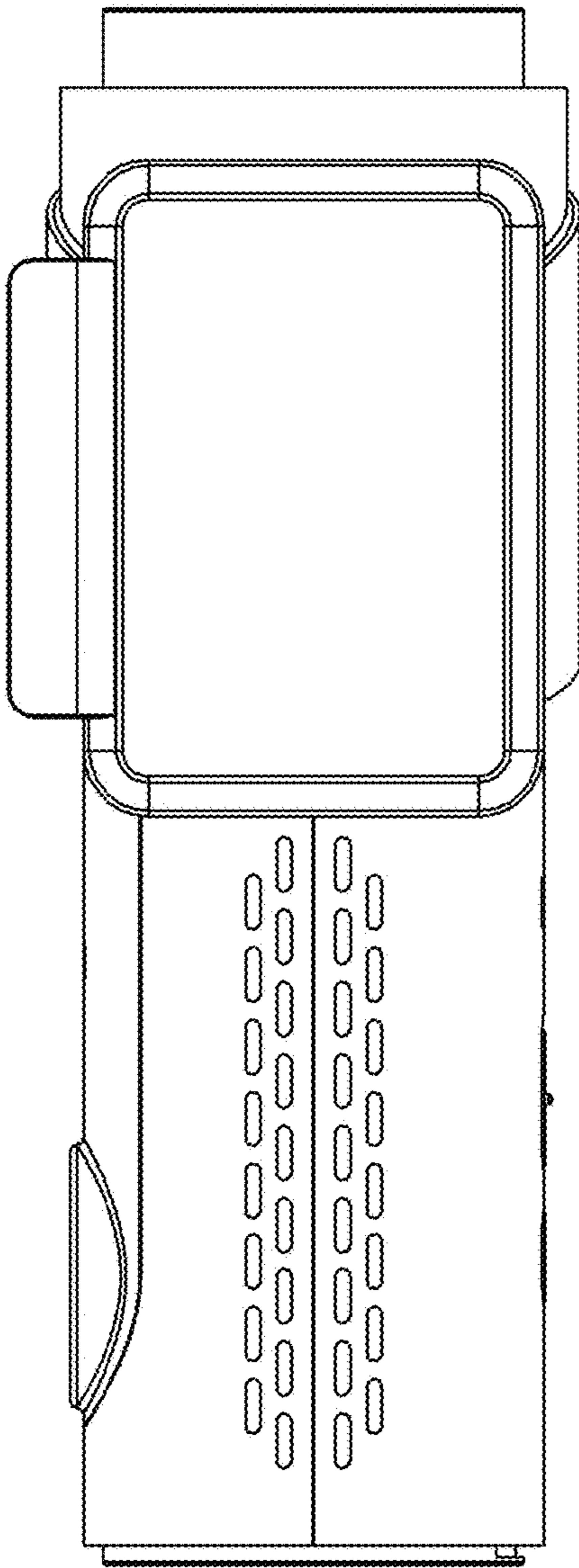


FIG. 6

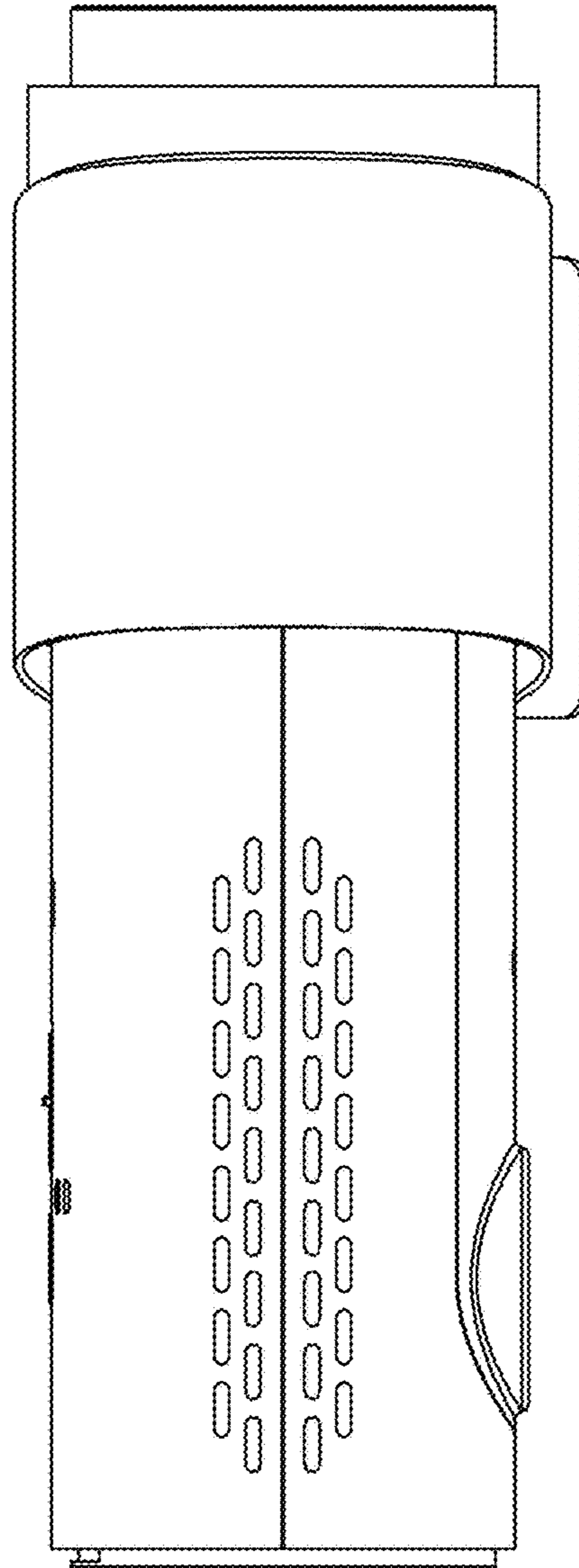


FIG. 7