



US00D821893S

(12) **United States Design Patent**
Nussbaum

(10) **Patent No.:** **US D821,893 S**
(45) **Date of Patent:** **** Jul. 3, 2018**

(54) **WATCH CASE**

(71) Applicant: **MANUFACTURE ET FABRIQUE
DE MONTRES ET
CHRONOMETRES ULYSSE
NARDIN LE LOCLE S.A, Le Locle
(CH)**

(72) Inventor: **Augustin Nussbaum, St-Aubin-Sauges
(CH)**

(**) Term: **15 Years**

(21) Appl. No.: **35/502,891**

(22) Filed: **Oct. 27, 2016**

(80) **Hague Agreement Data**

Int. Filing Date: **Oct. 27, 2016**

Int. Reg. No.: **DM/093141**

Int. Reg. Date: **Oct. 27, 2016**

Int. Reg. Pub. Date: **Apr. 28, 2017**

(51) **LOC (11) Cl.** **10-02**

(52) **U.S. Cl.**
USPC **D10/38**

(58) **Field of Classification Search**
USPC D10/32, 39, 38, 128
CPC G04B 19/283
See application file for complete search history.

(56) **References Cited**

U.S. PATENT DOCUMENTS

3,427,800 A *	2/1969	Blum	G04B 19/283 368/223
D295,837 S *	5/1988	Takeichi	D10/39
D658,079 S *	4/2012	Emch	D10/38
D761,132 S *	7/2016	Nunes	D10/128
D761,133 S *	7/2016	Nunes	D10/128
D814,943 S *	4/2018	White	D10/32

* cited by examiner

Primary Examiner — George D. Kirschbaum

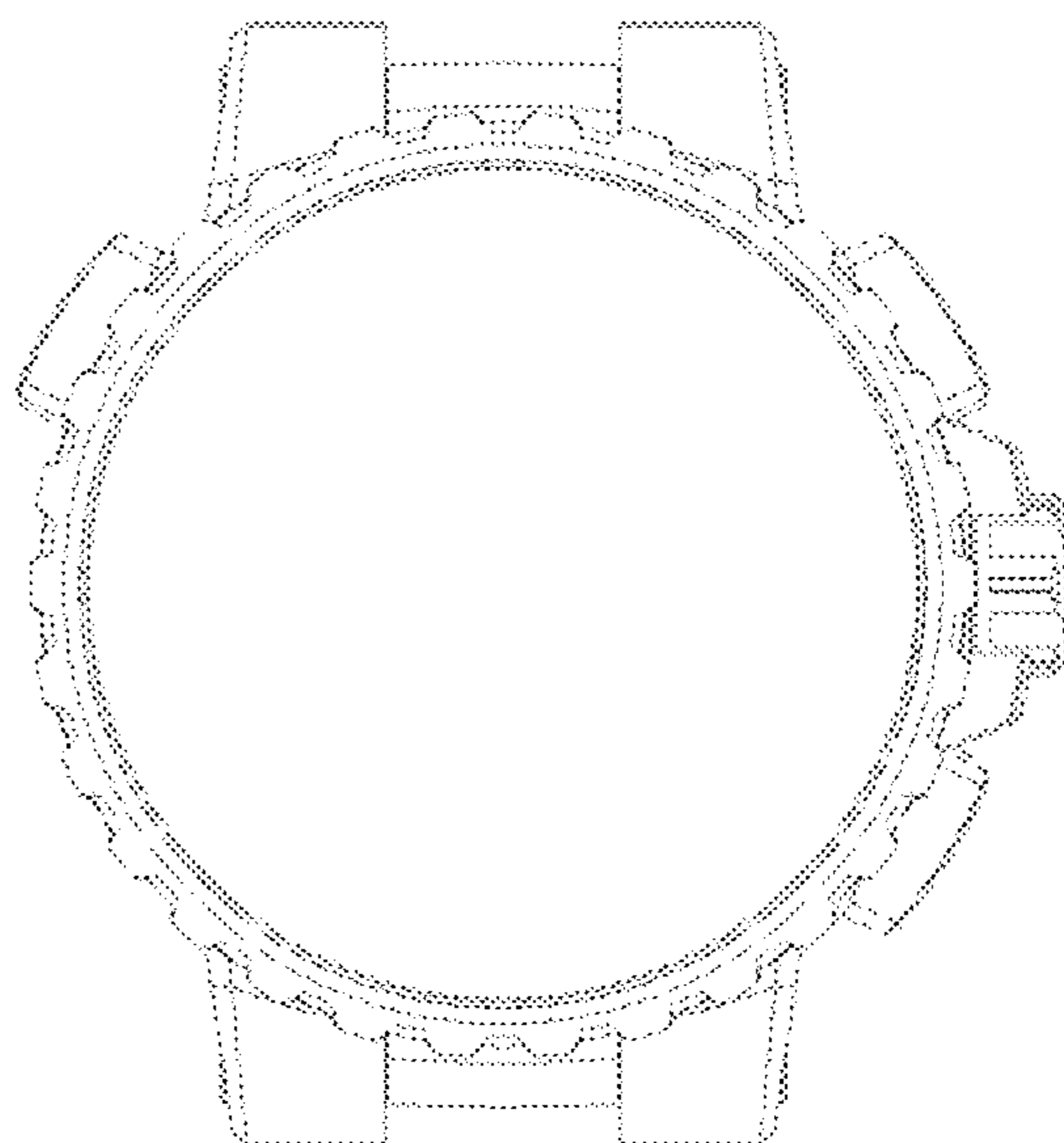
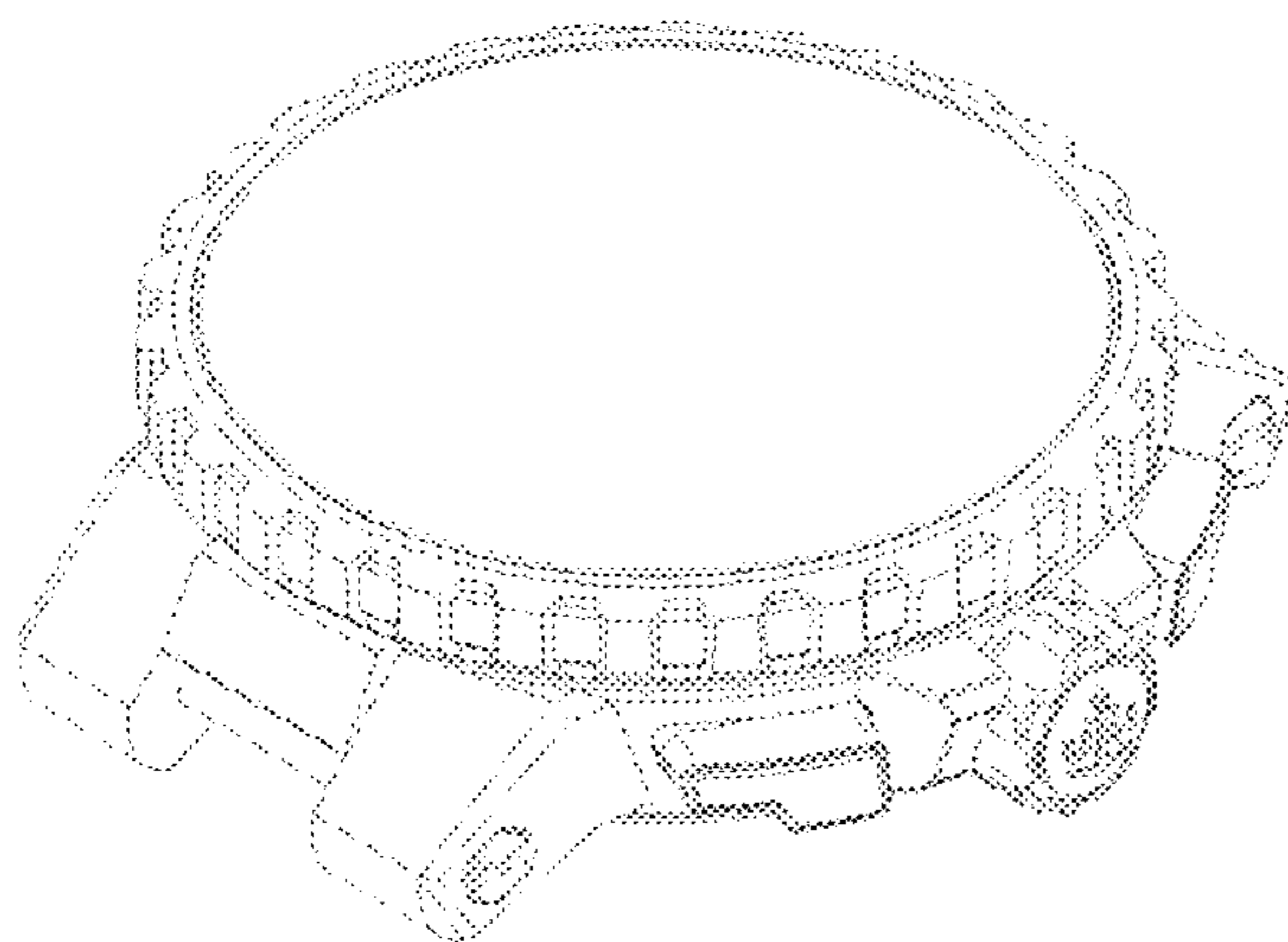
(57) **CLAIM**

The ornamental design of a watch case, as shown and described.

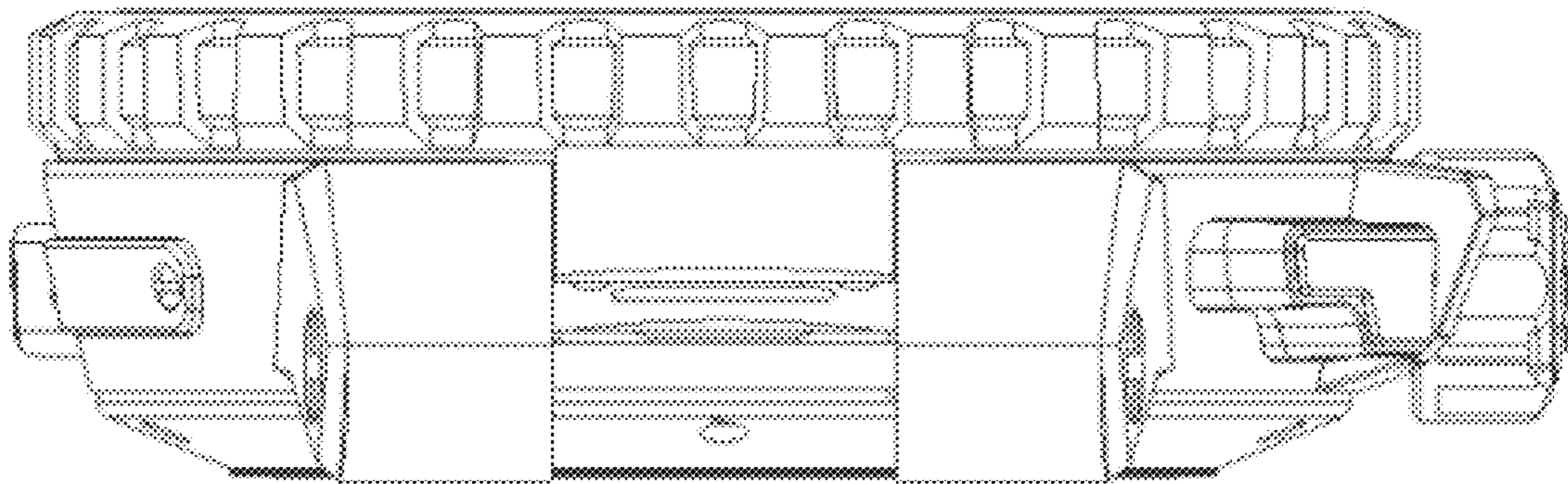
DESCRIPTION

- 1. Watch case
- 1.1 : Bottom
- 1.2 : Left
- 1.3 : Perspective
- 1.4 : Perspective
- 1.5 : Back
- 1.6 : Front
- 1.7 : Right
- 1.8 : Top

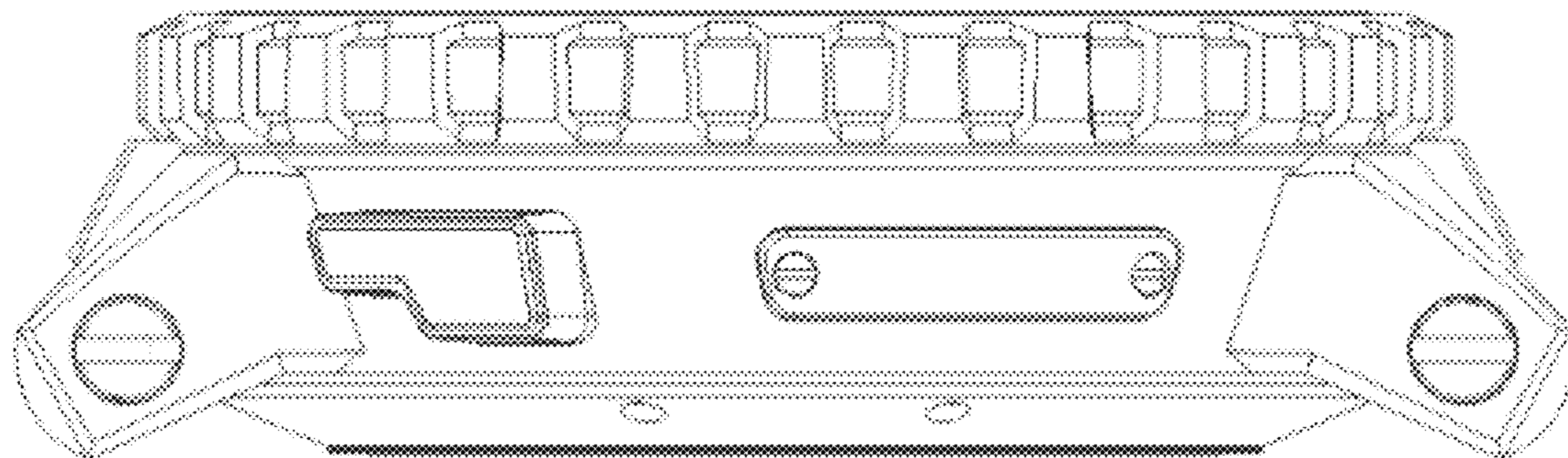
1 Claim, 8 Drawing Sheets



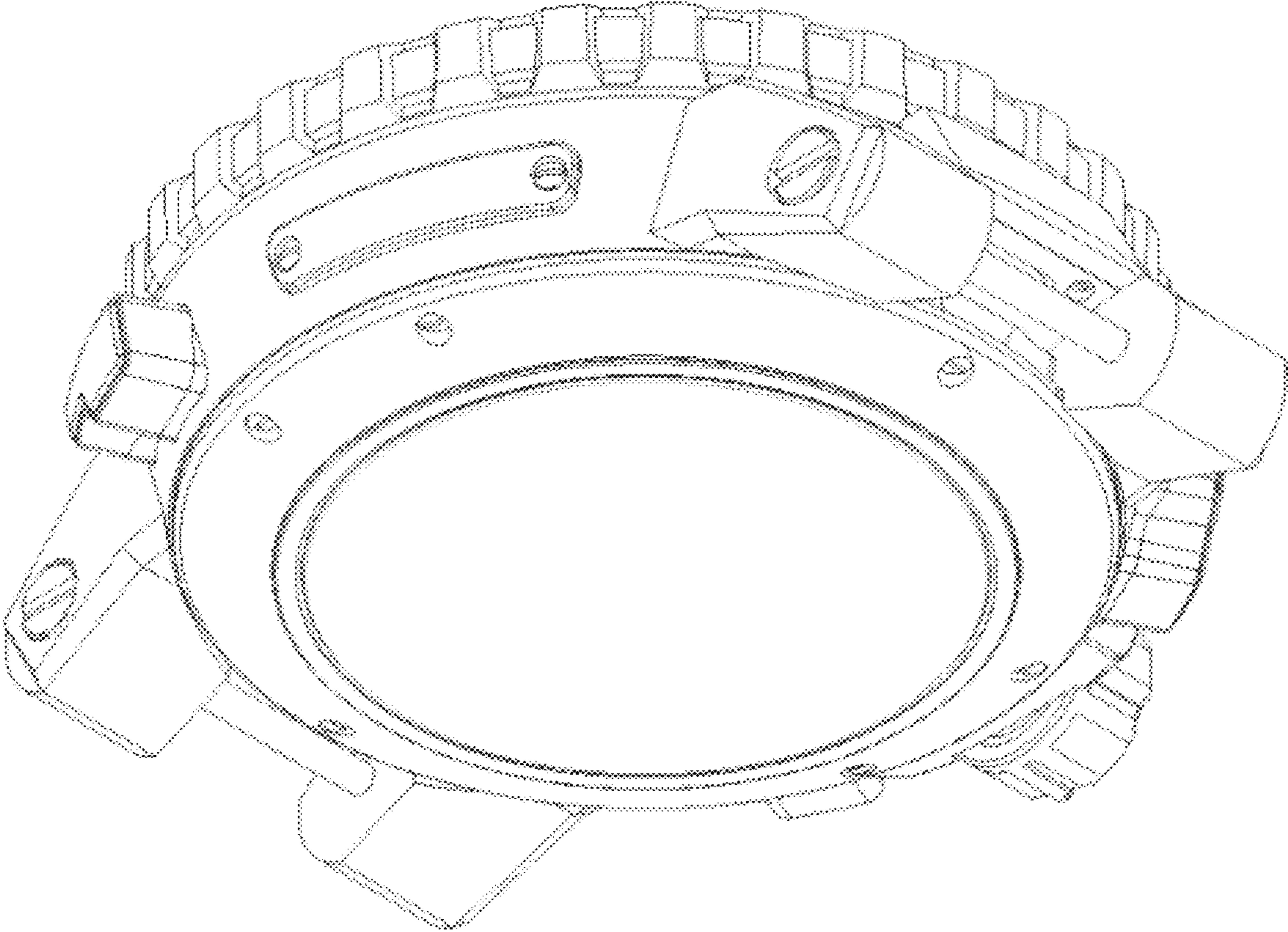
1.1



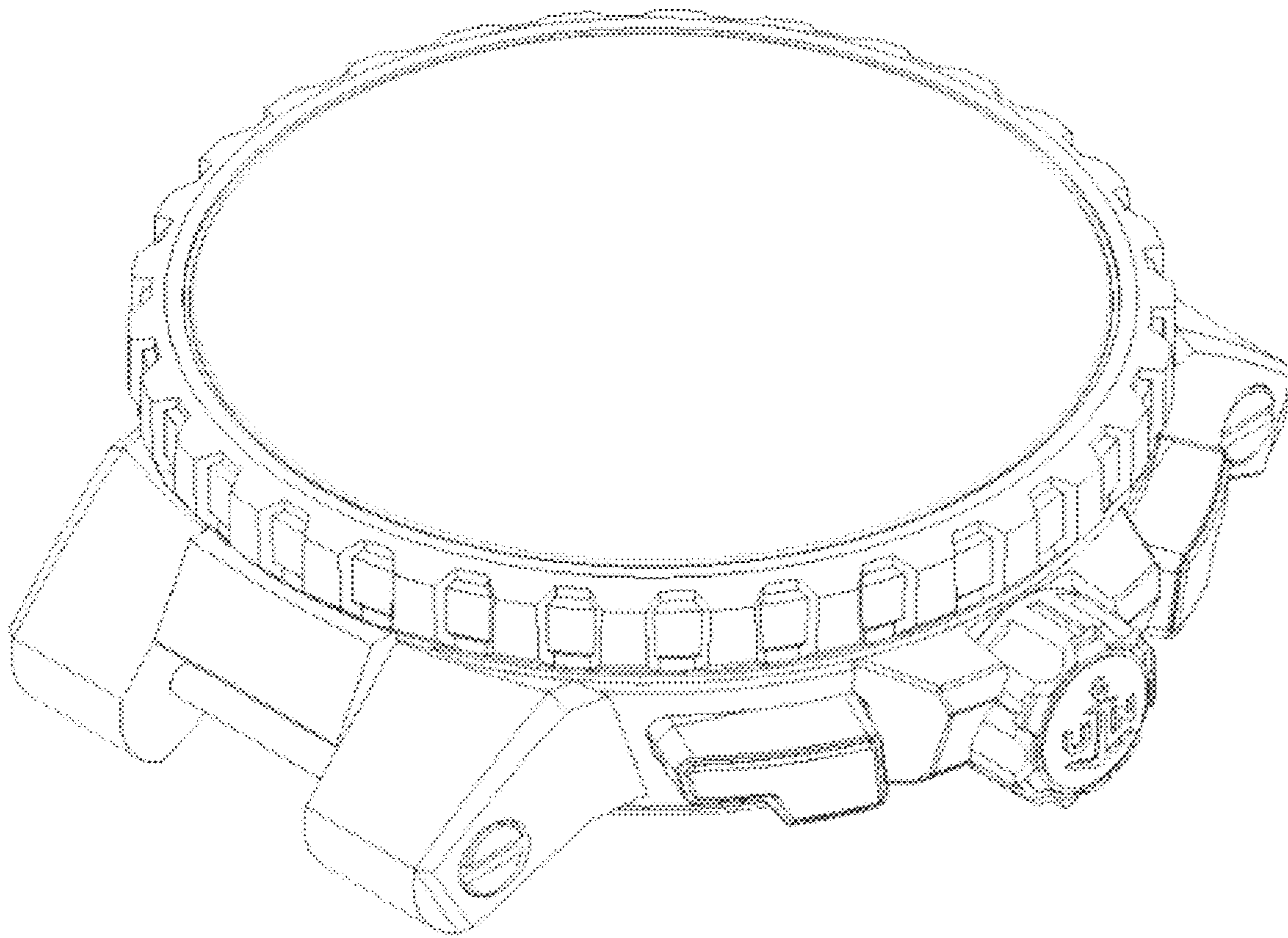
1.2



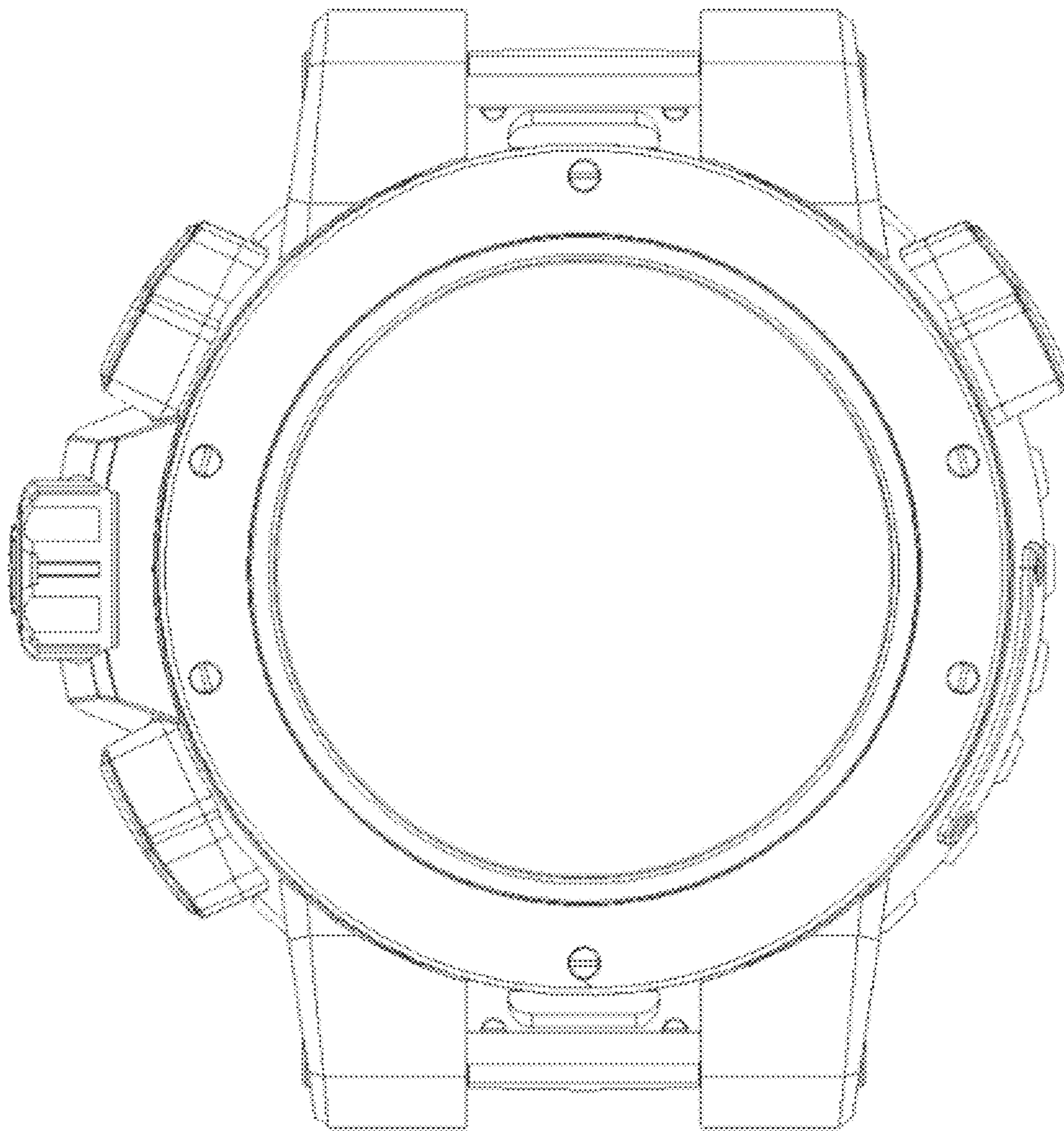
1.3



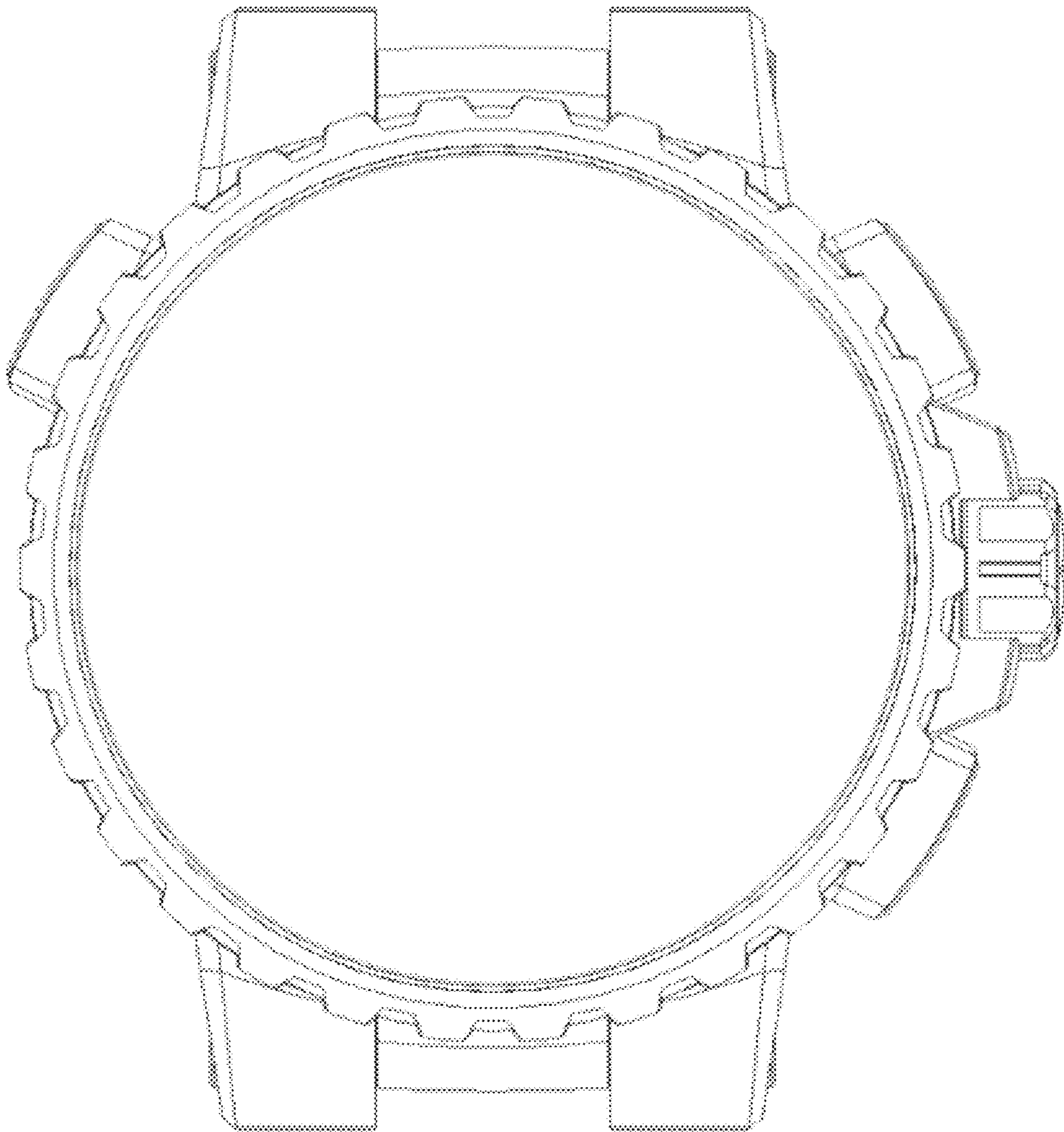
1.4



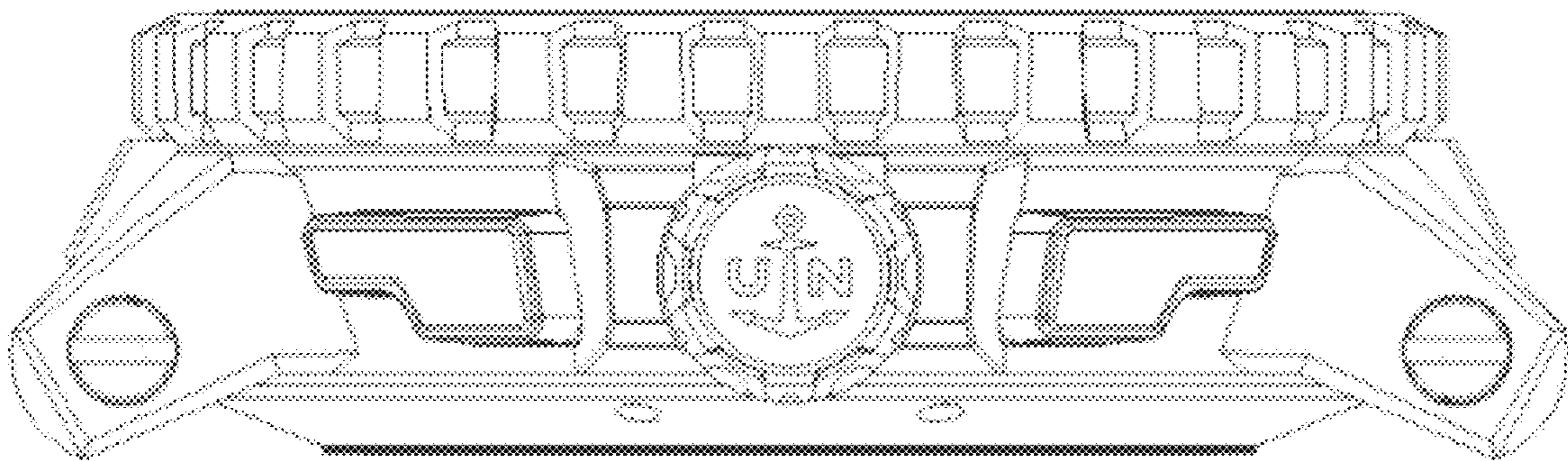
1.5



1.6



1.7



1.8

