



US00D821892S

(12) **United States Design Patent**
Parmigiani

(10) **Patent No.:** **US D821,892 S**

(45) **Date of Patent:** **** Jul. 3, 2018**

(54) **WATCH CASE**

(71) Applicant: **PARMIGIANI FLEURIER SA,**
Fleurier (CH)

(72) Inventor: **Michel Parmigiani,** Fleurier (CH)

(**) Term: **15 Years**

(21) Appl. No.: **35/502,253**

(22) Filed: **Jul. 1, 2016**

(80) **Hague Agreement Data**

Int. Filing Date: **Jul. 1, 2016**

Int. Reg. No.: **DM/093353**

Int. Reg. Date: **Jul. 1, 2016**

Int. Reg. Pub. Date: **Jan. 6, 2017**

(30) **Foreign Application Priority Data**

Jan. 15, 2016 (WO) DM089464

(51) **LOC (11) Cl.** **10-02**

(52) **U.S. Cl.**
USPC **D10/30**

(58) **Field of Classification Search**

USPC D10/1-39, 65, 70, 122-132

CPC G04B 17/00; G04B 17/02; G04B 17/005;
G04B 17/285; G04B 37/00; G04B
37/0058; G04B 45/00; G04B 45/02;
G04B 45/038; G04B 45/0069; G04B
45/0076; G04B 29/00; G04B 19/268

See application file for complete search history.

(56) **References Cited**

U.S. PATENT DOCUMENTS

2,385,234 A * 9/1945 Schmitz G04B 3/045
368/288

D427,915 S * 7/2000 Erediano D10/30

D446,731 S *	8/2001	Subilia	D10/30
D476,906 S *	7/2003	Nussbaum	D10/30
D491,817 S *	6/2004	Bonnet	D10/30
D494,872 S *	8/2004	Hill	D10/30
D525,148 S *	7/2006	Gruosi	D10/30
D735,056 S *	7/2015	Hamel	D10/126
D748,501 S *	2/2016	Cerrato	D10/30
D767,413 S *	9/2016	Voirin	D10/30
D793,872 S *	8/2017	Lasserre	D10/30
D795,085 S *	8/2017	Monachon	D10/30
D795,086 S *	8/2017	Monachon	D10/30
D795,707 S *	8/2017	Monachon	D10/30
D798,742 S *	10/2017	White	D10/30
D798,743 S *	10/2017	White	D10/30
D799,991 S *	10/2017	Michele	D10/39
D800,579 S *	10/2017	Goldberg	D10/30
D800,580 S *	10/2017	Lasserre	D10/30

* cited by examiner

Primary Examiner — Darlington Ly

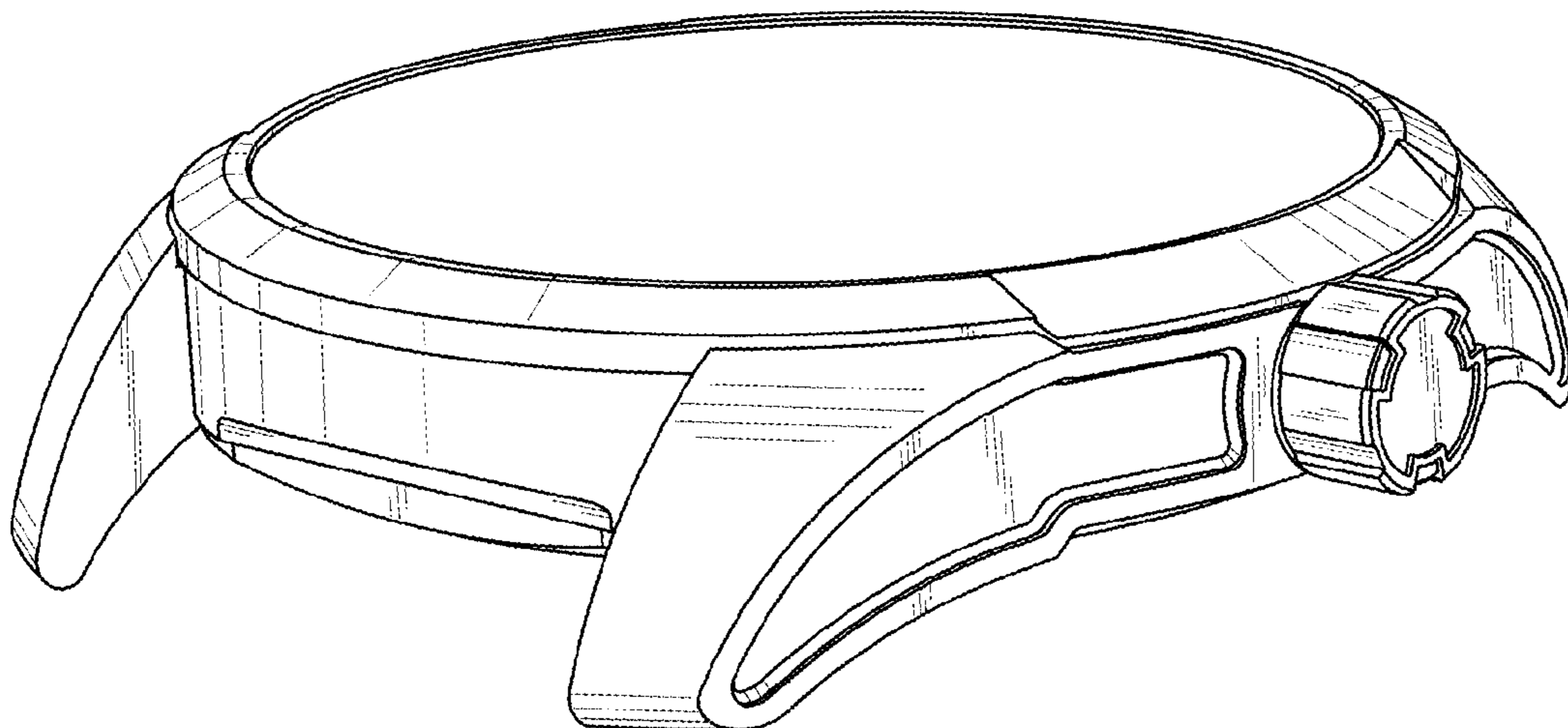
(57) **CLAIM**

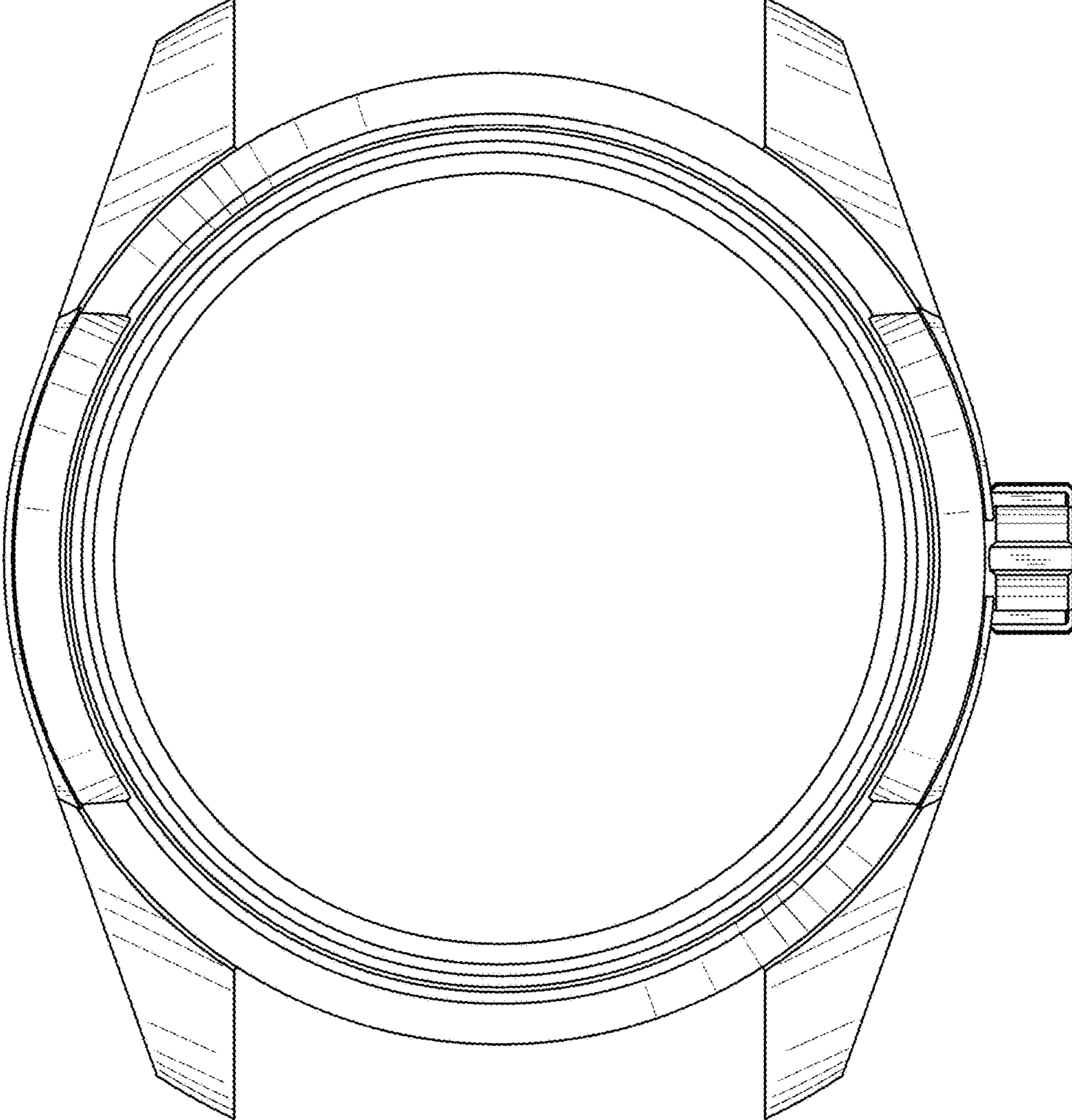
The ornamental design for a watch case, as shown and described.

DESCRIPTION

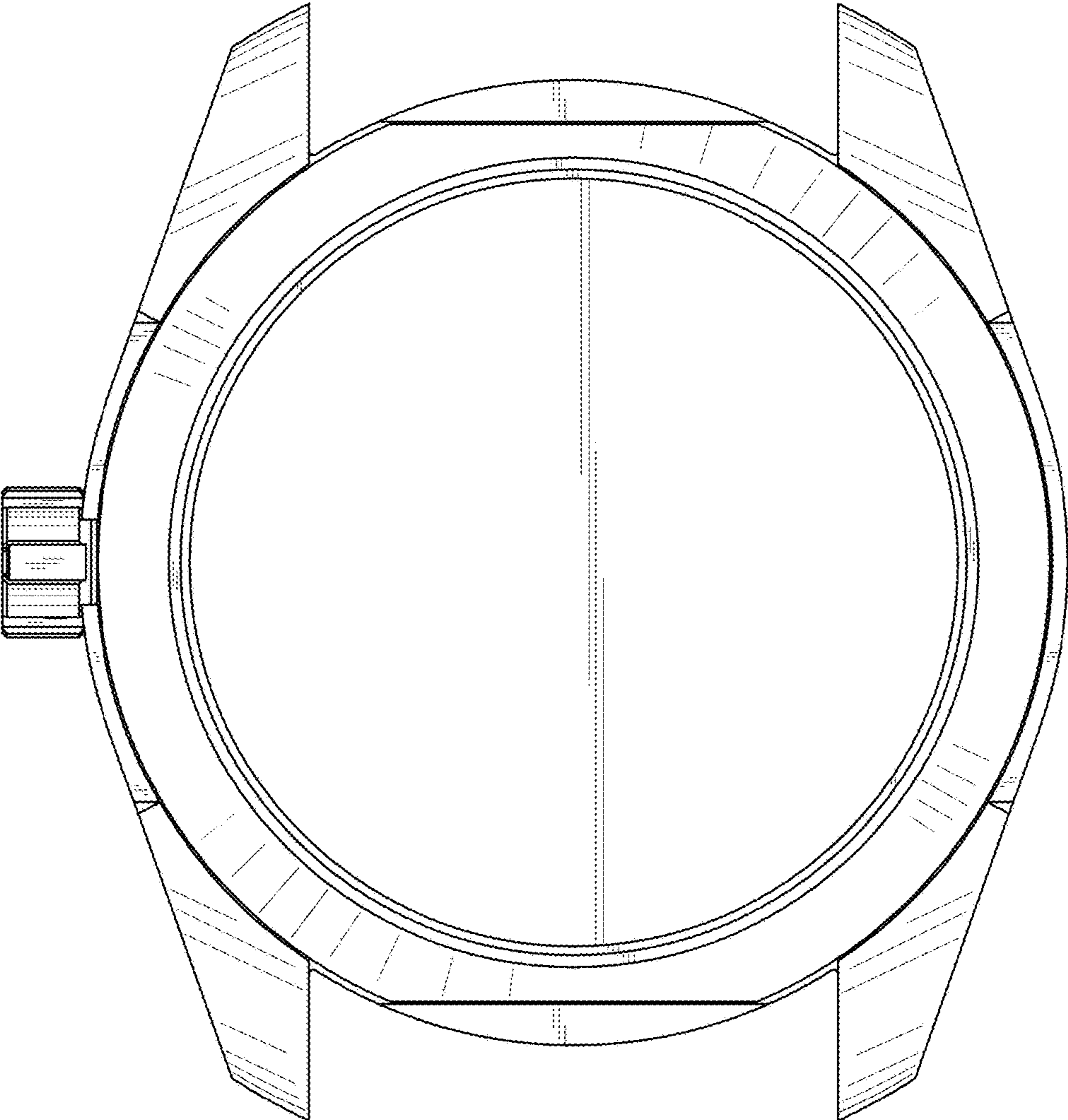
- 1.1 is a front elevation view of a watch case showing my new design;
- 1.2 is a rear elevation view thereof;
- 1.3 is a left side elevation view thereof;
- 1.4 is a right side elevation view thereof;
- 1.5 is a top plan view thereof;
- 1.6 is a bottom plan view thereof;
- 1.7 is a top, front, and right side perspective view thereof;
- 1.8 is a top, front, and left side perspective view thereof; and
- 1.9 is a bottom, rear, and right side perspective view thereof.

1 Claim, 9 Drawing Sheets

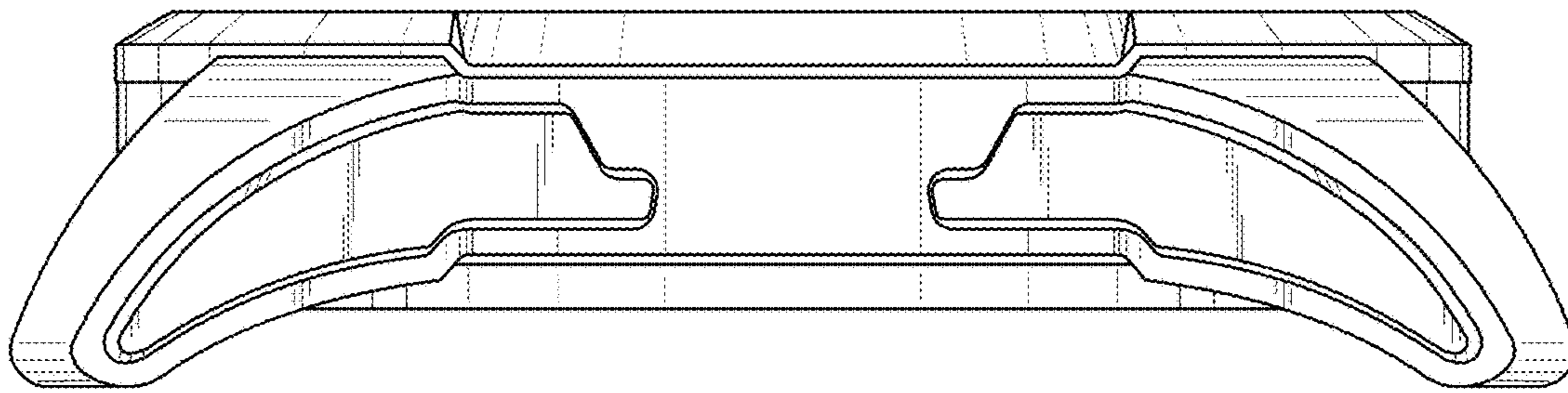




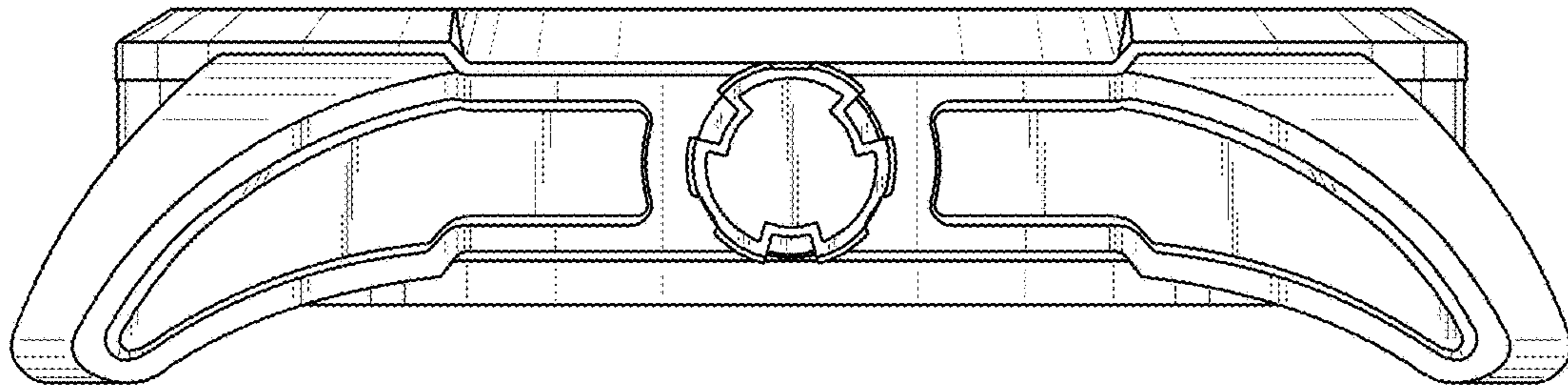
1.1



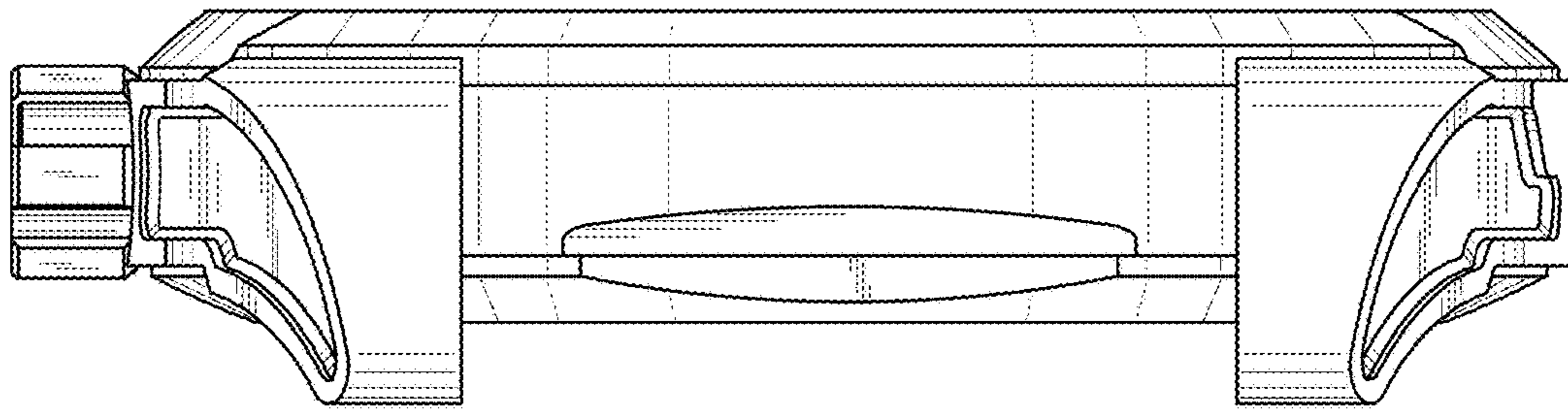
1.2



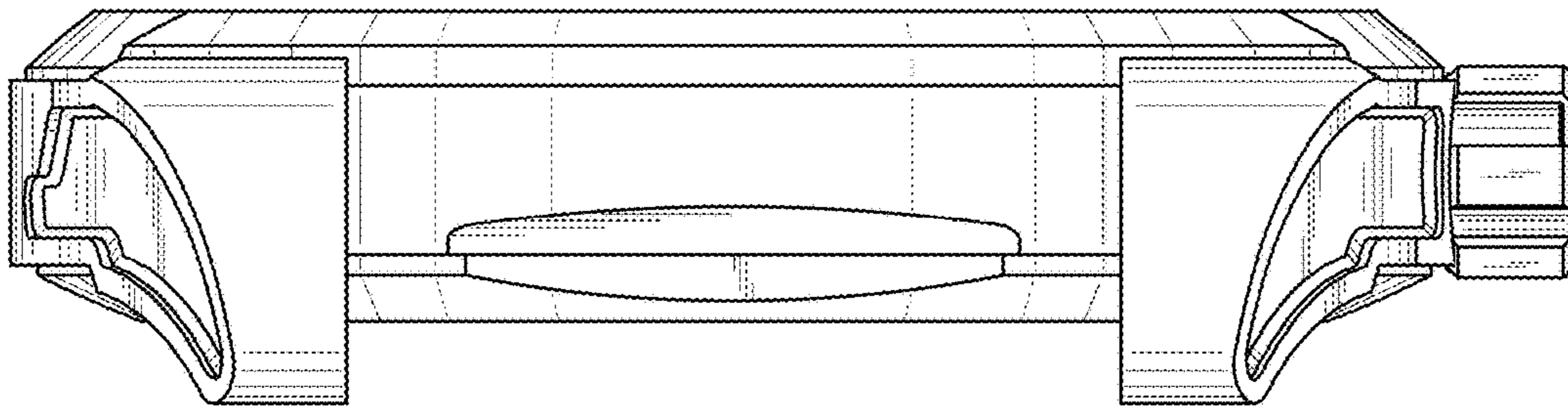
1.3



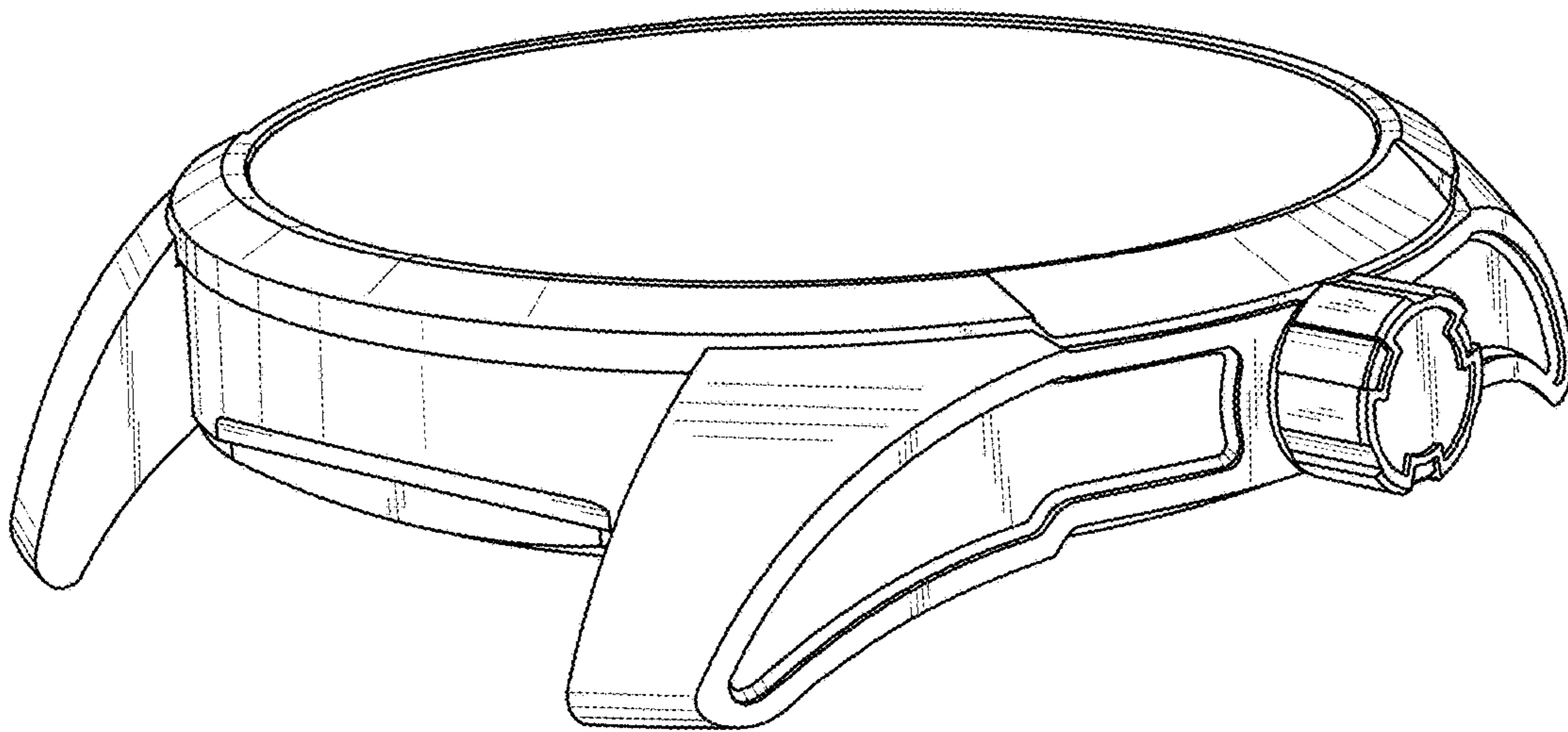
1.4



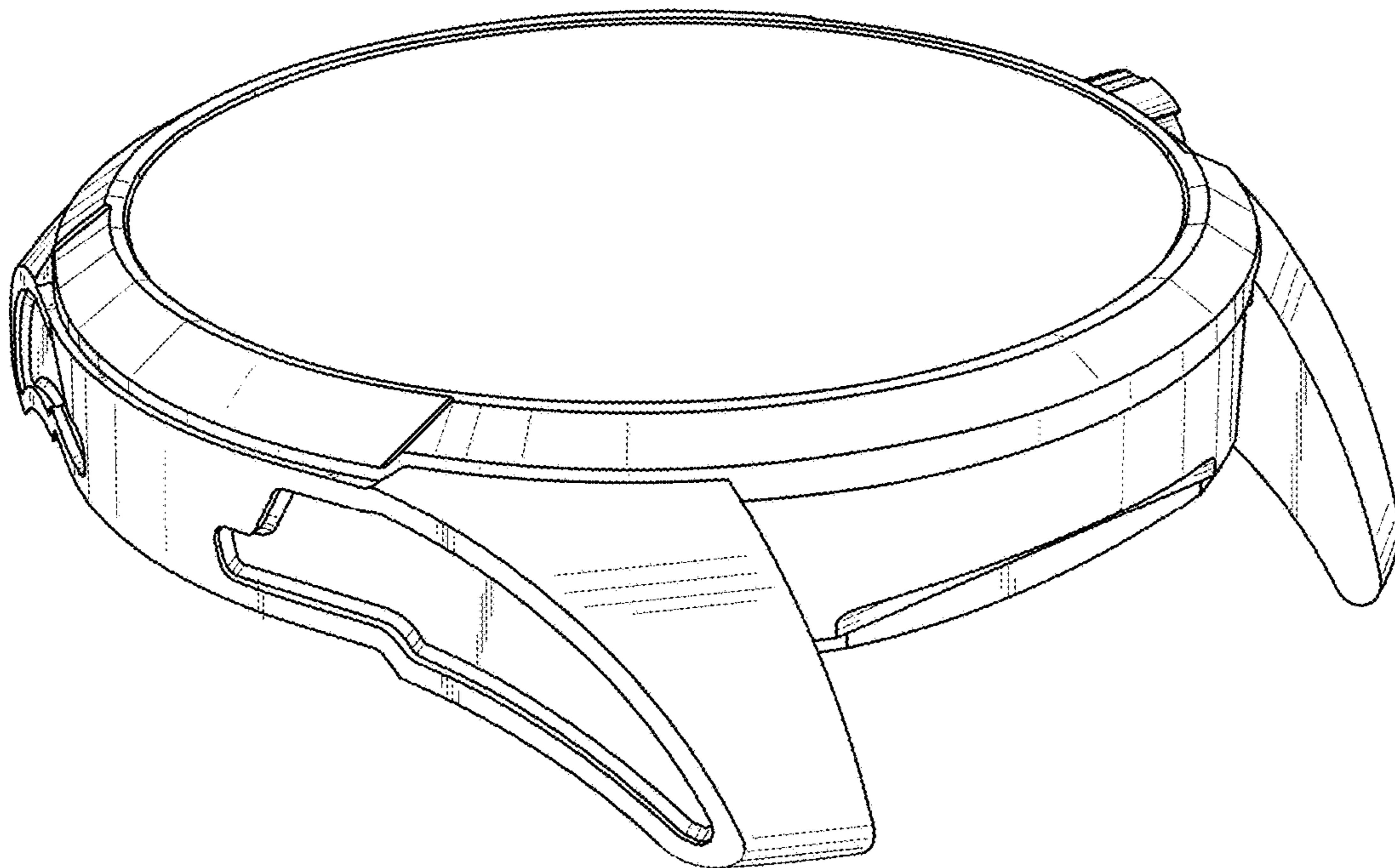
1.5



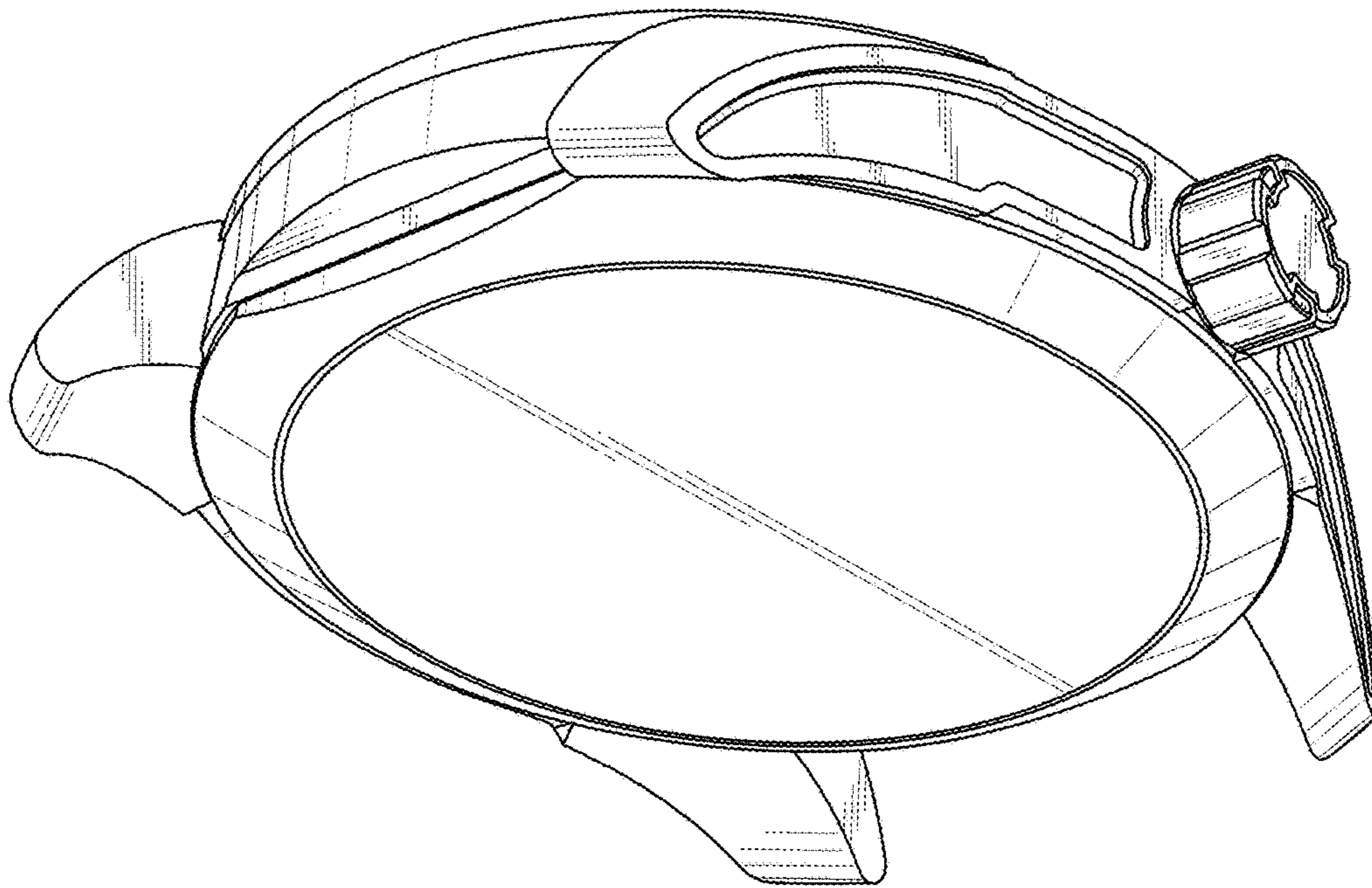
1.6



1.7



1.8



1.9