

US00D821891S

(12) **United States Design Patent**
Parmigiani

(10) **Patent No.:** **US D821,891 S**

(45) **Date of Patent:** **** Jul. 3, 2018**

(54) **WATCH CASE**

(71) Applicant: **PARMIGIANI FLEURIER SA,**
Fleurier (CH)

(72) Inventor: **Michel Parmigiani,** Fleurier (CH)

(**) Term: **15 Years**

(21) Appl. No.: **35/502,246**

(22) Filed: **Jul. 1, 2016**

(80) **Hague Agreement Data**

Int. Filing Date: **Jul. 1, 2016**

Int. Reg. No.: **DM/091856**

Int. Reg. Date: **Jul. 1, 2016**

Int. Reg. Pub. Date: **Jan. 6, 2017**

(30) **Foreign Application Priority Data**

Jan. 15, 2016 (WO) DM089464

(51) **LOC (11) Cl.** **10-02**

(52) **U.S. Cl.**
USPC **D10/30**

(58) **Field of Classification Search**

USPC D10/1-39, 65, 70, 122-132
CPC G04B 17/00; G04B 17/02; G04B 17/005;
G04B 17/285; G04B 37/00; G04B
37/0058; G04B 45/00; G04B 45/02;
G04B 45/038; G04B 45/0069; G04B
45/0076; G04B 29/00; G04B 19/268

See application file for complete search history.

(56) **References Cited**

U.S. PATENT DOCUMENTS

2,361,563 A * 10/1944 Pellaton G04F 7/00
368/101
2,385,234 A * 9/1945 Schmitz G04B 3/045
368/288

D447,063 S * 8/2001 Scheufele D10/30
D470,776 S * 2/2003 Blondin D10/30
D477,235 S * 7/2003 El Kadiri D10/30
D502,408 S * 3/2005 Lalo D10/30
D507,496 S * 7/2005 Tang D10/30
D508,416 S * 8/2005 Tang D10/30
D508,859 S * 8/2005 Ho D10/30
D521,394 S * 5/2006 Tang D10/30
D730,750 S * 6/2015 Menard D10/122
D733,583 S * 7/2015 Monachon D10/126
D736,655 S * 8/2015 Monachon D10/126
D744,354 S * 12/2015 Loth D10/126
D744,863 S * 12/2015 Behling D10/126
D749,431 S * 2/2016 Babcock D10/30
D759,510 S * 6/2016 Belamich D10/126
D769,736 S * 10/2016 Behling D10/30
D795,708 S * 8/2017 Monachon D10/30
D800,578 S * 10/2017 Behling D10/30
D801,832 S * 11/2017 White D10/30
2015/0205263 A1 * 7/2015 Momose G04B 19/06
368/232

* cited by examiner

Primary Examiner — Darlington Ly

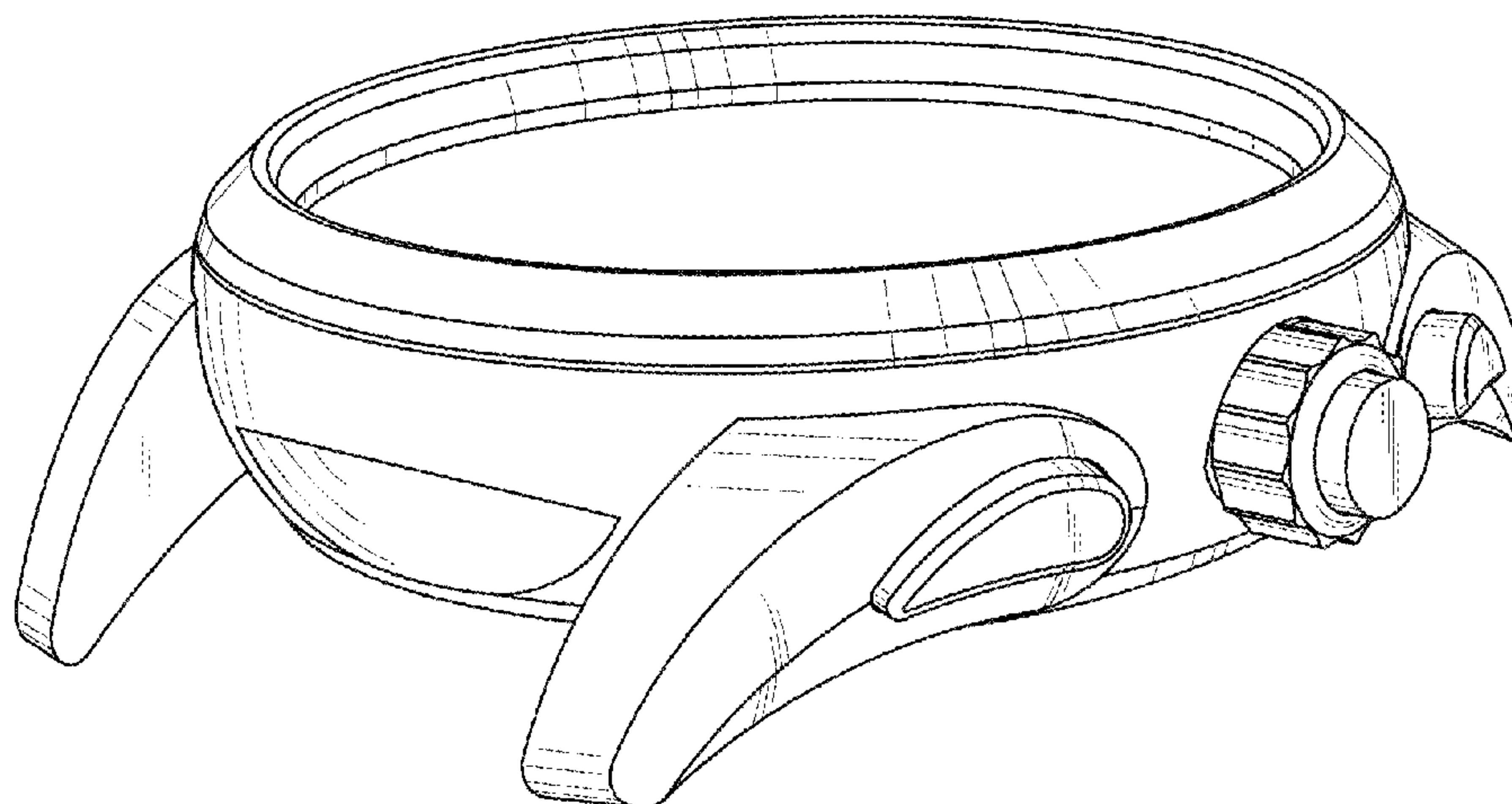
(57) **CLAIM**

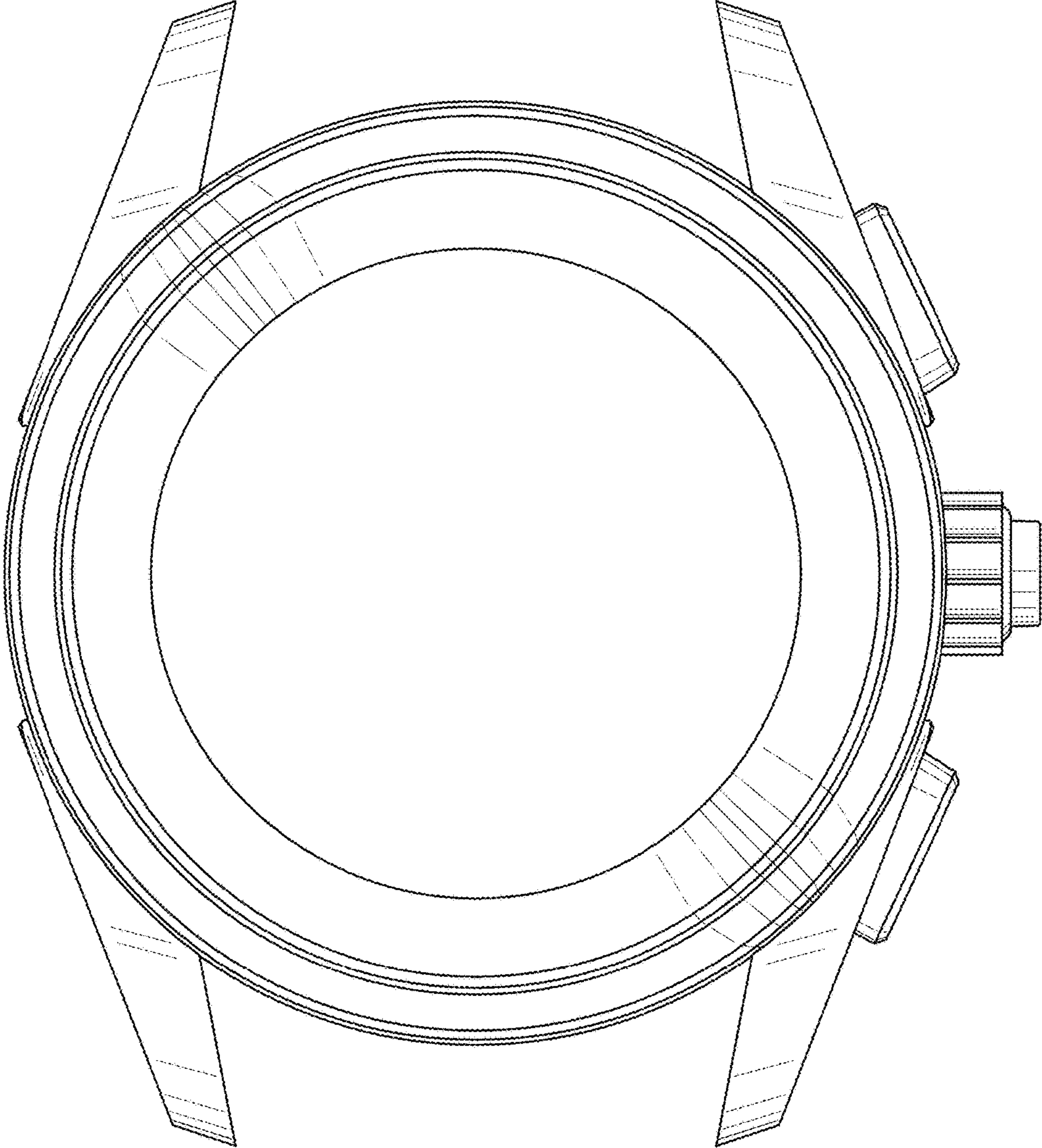
The ornamental design for a watch case, as shown and described.

DESCRIPTION

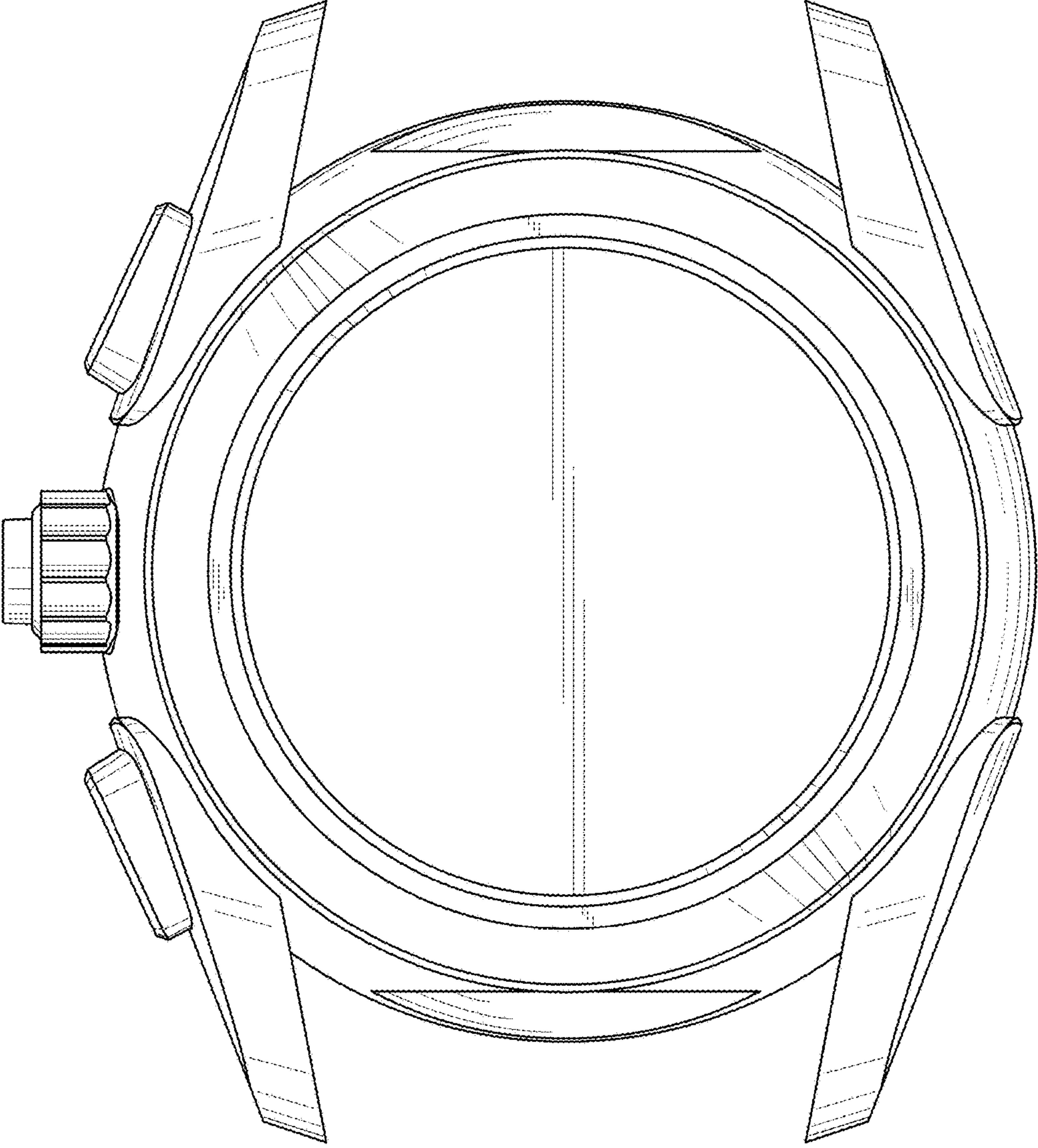
1. Watch case
1.1 is a front elevation view of a watch case showing my new design;
1.2 is a rear elevation view thereof;
1.3 is a left side elevation view thereof;
1.4 is a right side elevation view thereof;
1.5 is a top plan view thereof;
1.6 is a bottom plan view thereof;
1.7 is a bottom, front, and right side perspective view thereof; and
1.8 is a bottom, rear, and right side perspective view thereof.

1 Claim, 8 Drawing Sheets

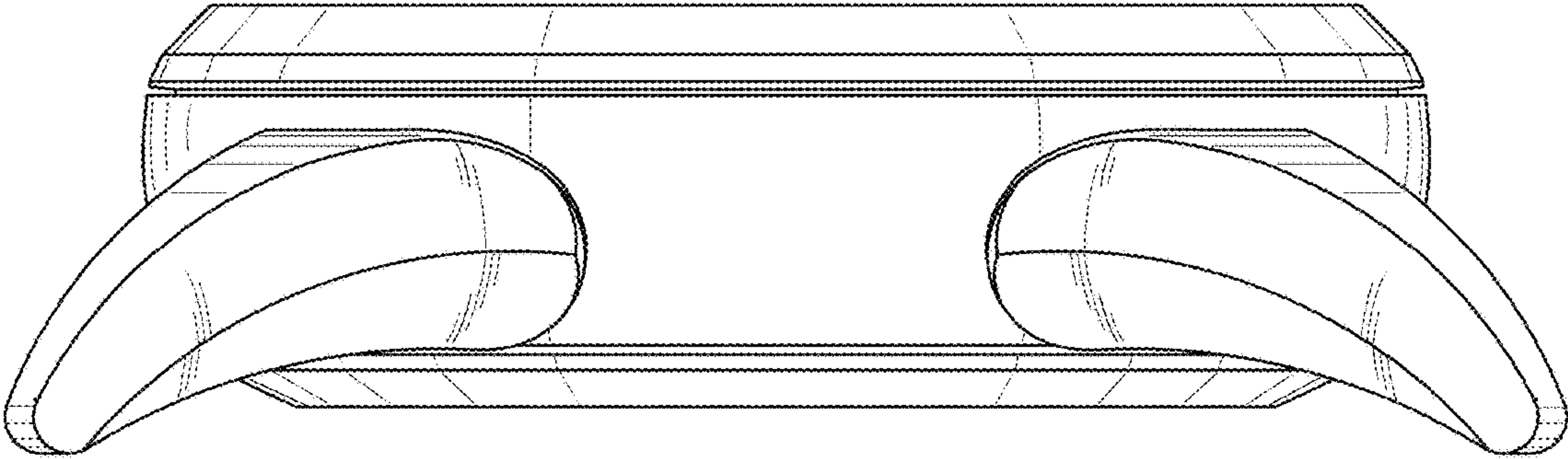




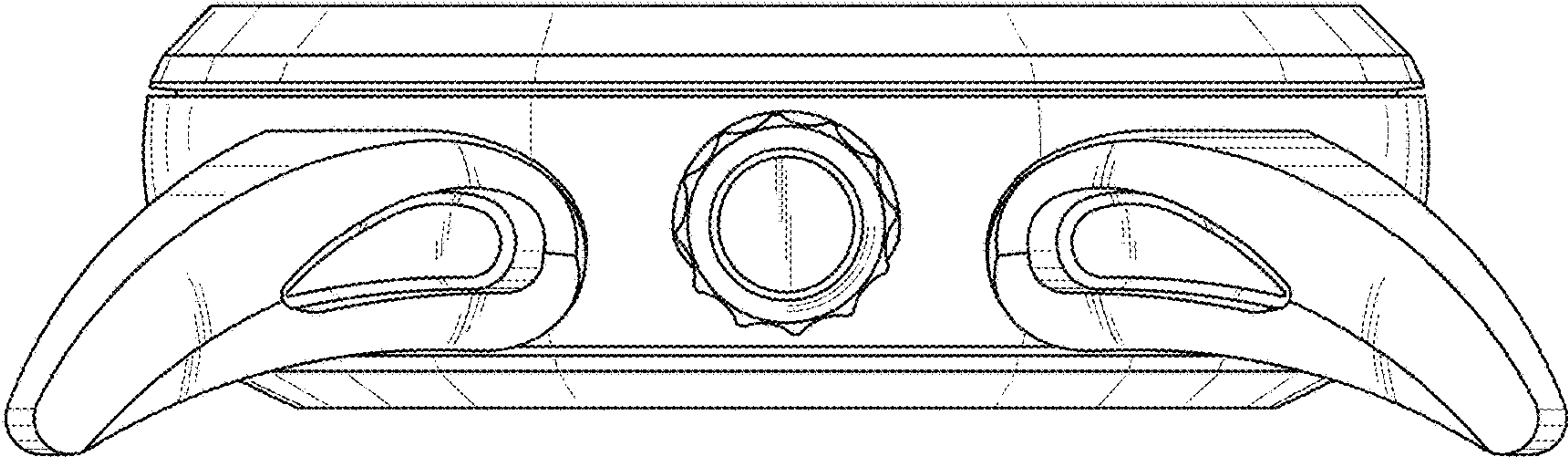
1.1



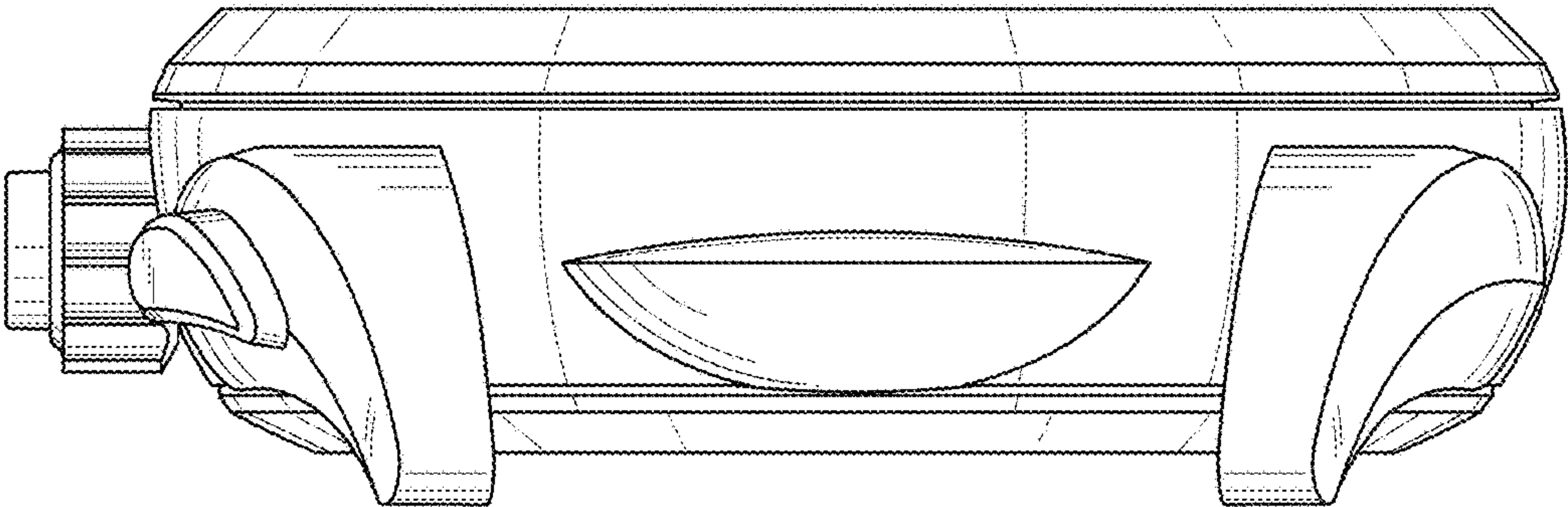
1.2



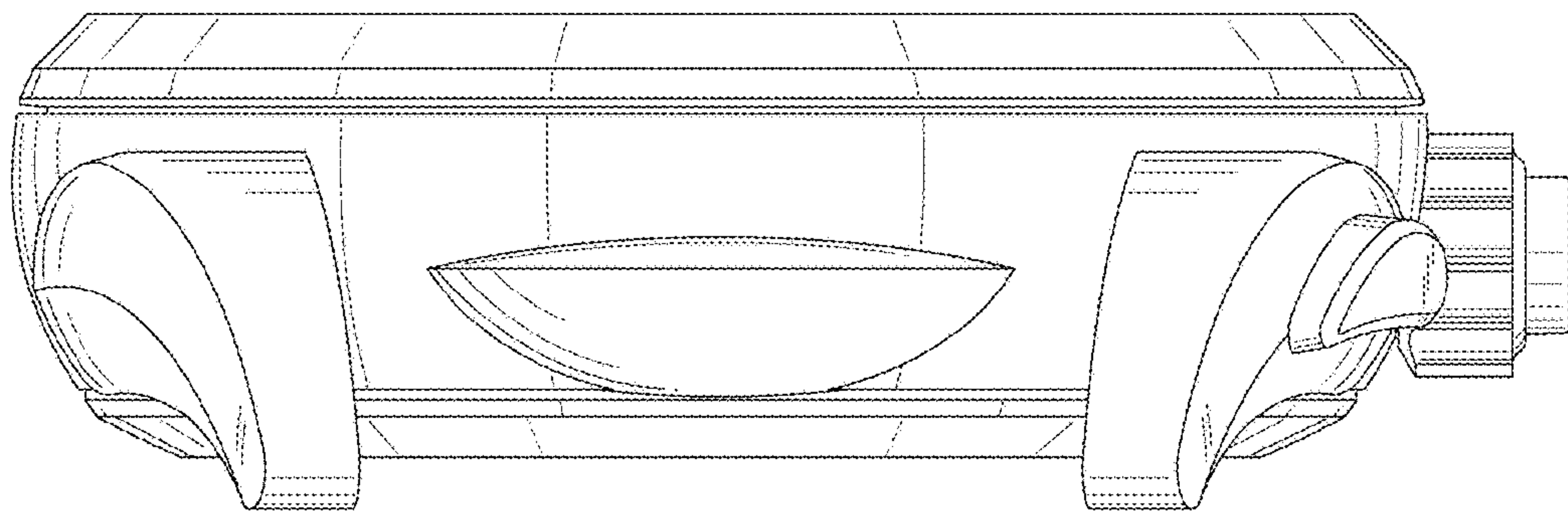
1.3



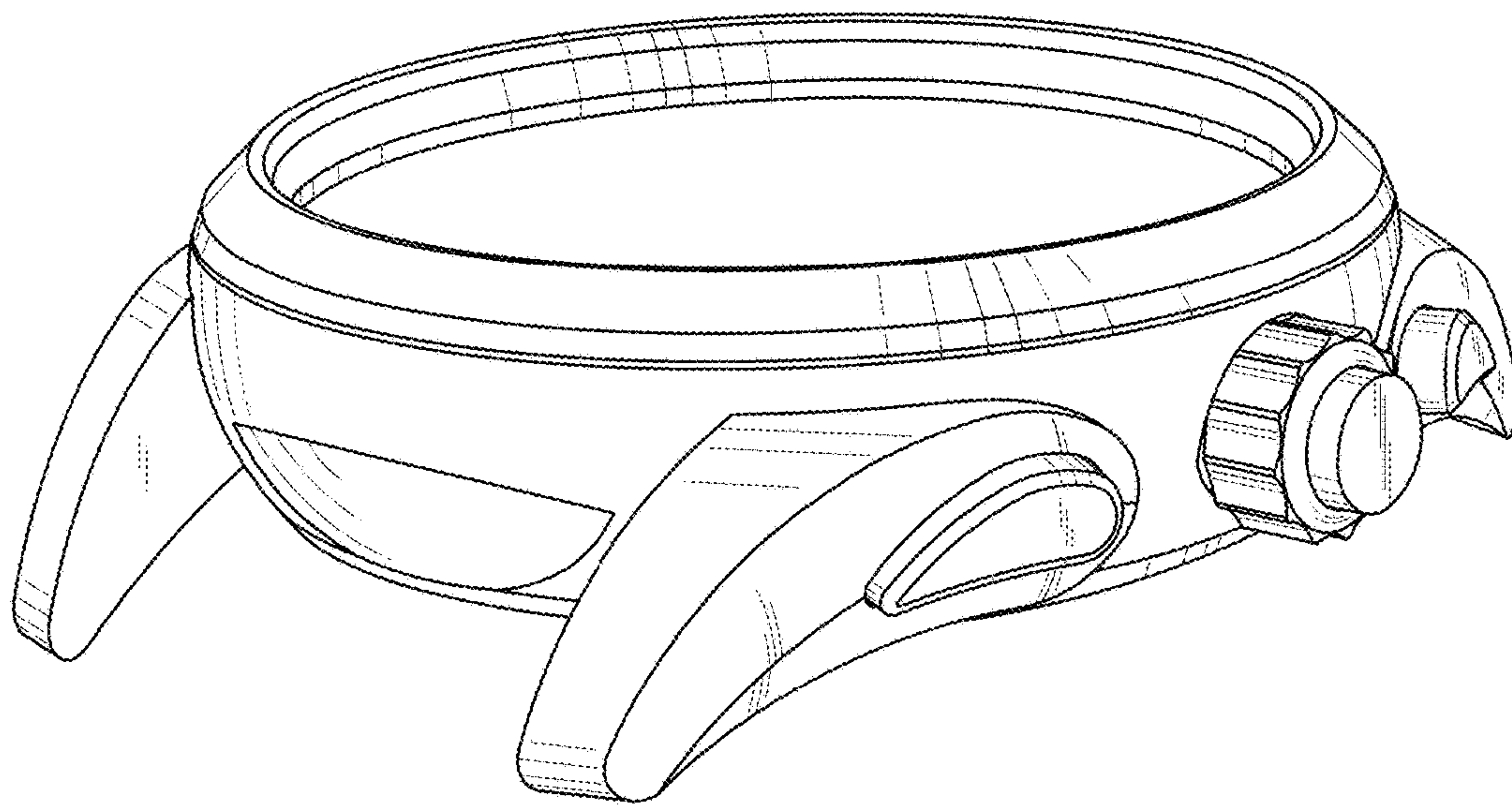
1.4



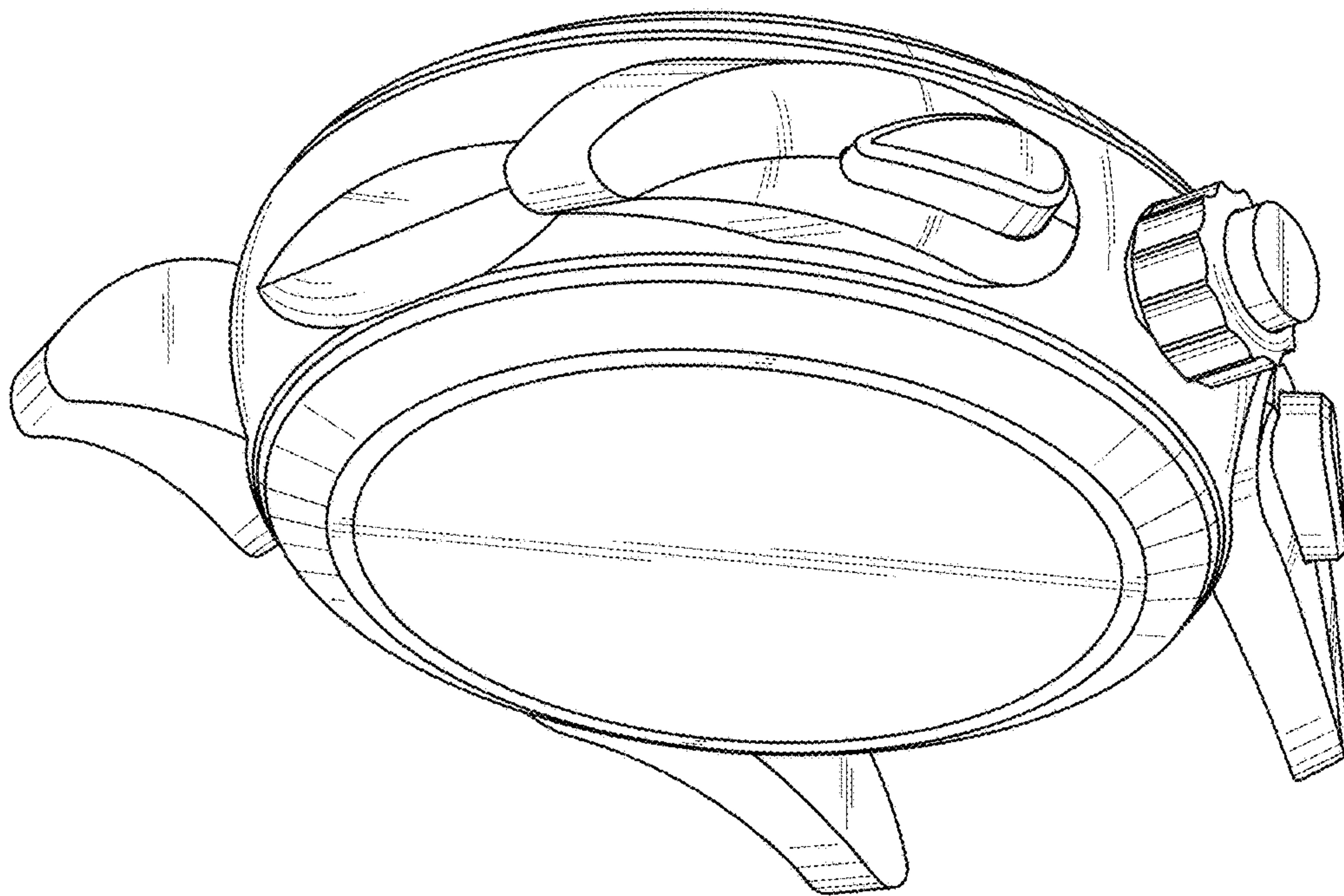
1.5



1.6



1.7



1.8