



US00D821890S

(12) **United States Design Patent** (10) **Patent No.:** **US D821,890 S**
Jin (45) **Date of Patent:** **** Jul. 3, 2018**

(54) **ALARM CLOCK**

(71) Applicant: **Huimin Jin**, Hubei (CN)

(72) Inventor: **Huimin Jin**, Hubei (CN)

(**) Term: **15 Years**

(21) Appl. No.: **29/587,343**

(22) Filed: **Dec. 13, 2016**

(51) **LOC (11) Cl.** **10-01**

(52) **U.S. Cl.**
USPC **D10/23**; D10/2; D10/15

(58) **Field of Classification Search**
USPC D10/1–11, 14–15, 17–19, 20–29, 40–41,
D10/44, 46.1, 46.2, 48–53, 56–57,
D10/122–132; D20/10–11, 20, 21,
D20/28–29, 42, 99; D14/344, 170–171,
D14/490, 492; D5/30; D11/116,
D11/132–133, 157; D21/531
CPC ... G04F 1/00; G04F 1/06; G04F 1/063; G04F
7/06; G04F 7/08; G04B 19/06; A63F
3/0423; A63F 3/00643; A63F 13/211;
A63F 13/213; A63F 13/2145; A63F
13/215; A63F 13/216; A63F 13/335;
A63F 13/35; A63F 13/537; A63F 13/57;
A63F 13/58; A63F 13/79; A63F 13/80;
A63F 13/98; A63F 1/04; A63F
2003/00813; A63F 2003/00996; A63F
2003/0428; A63F 9/0098; A63B 71/0619;
A63B 71/0686

See application file for complete search history.

(56) **References Cited**

U.S. PATENT DOCUMENTS

D50,728 S * 5/1917 Hoche D10/2
D73,457 S * 9/1927 Weiss D10/19
D97,453 S * 11/1935 Bars D10/1
D98,049 S * 1/1936 Blow D10/10
D98,769 S * 3/1936 Horwitt D10/15
D168,521 S * 12/1952 Rodanet D10/22
D190,749 S * 6/1961 Braunschweig D10/1

D201,144 S * 5/1965 Vuille D10/20
D273,943 S * 5/1984 Dillon D10/6
D312,408 S * 11/1990 Isobe D10/15
D317,870 S * 7/1991 Dumas D10/18
D319,589 S * 9/1991 Unruh D10/23
D320,563 S * 10/1991 Skrundens D10/1
D323,989 S * 2/1992 Burgener D10/18
D333,099 S * 2/1993 Hiromori D10/15
D359,241 S * 6/1995 Ling D10/18
D454,793 S * 3/2002 Chang D10/22
D460,362 S * 7/2002 Kalman D10/1
D467,186 S * 12/2002 Chen D10/15

(Continued)

OTHER PUBLICATIONS

Gosear Wake up Light Sunrise Alarm Clock | posted at AliExpress.com No posting date {online}[site visited Aug. 30, 2017]. Available from Internet: <https://www.aliexpress.com/item/Wake-up-Light-Sunrise-Sunset-Simulation-Alarm-Clock-Touch-Sensor-Color-changing-RGB-LED-Colorful-Lamp/32808057229.html?source=%7Bifdyn:dyn%7D%7Bifpla:pla%7D%7Bifdbm:DBM&albch.*>

(Continued)

Primary Examiner — Sandra S Snapp
Assistant Examiner — Katherine Glennon

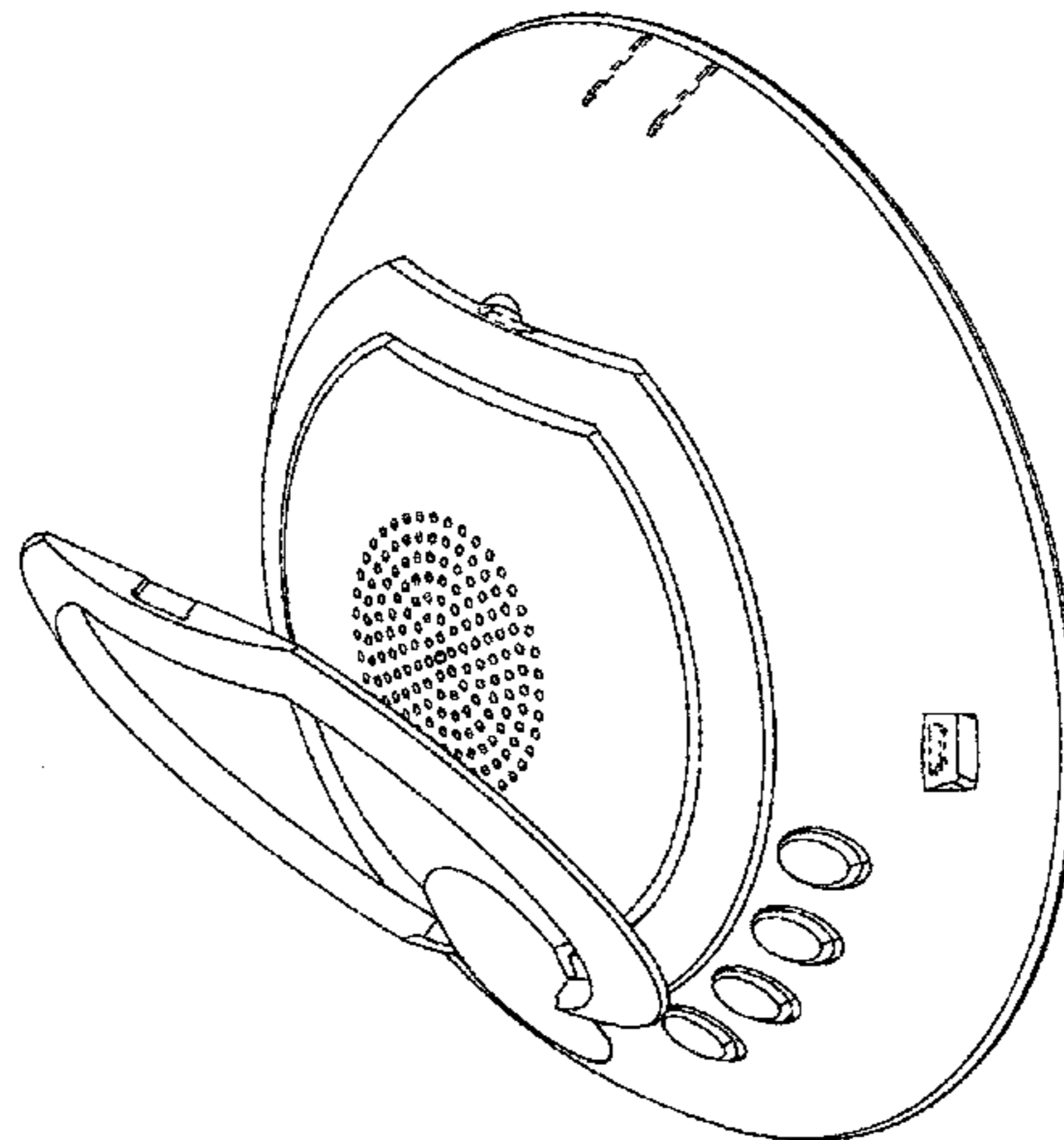
(57) **CLAIM**

The ornamental design for an alarm clock, as shown and described.

DESCRIPTION

FIG. 1 is a perspective view of an alarm clock showing my new design;
FIG. 2 is a front elevational view thereof;
FIG. 3 is a rear elevational view thereof;
FIG. 4 is a right side view thereof;
FIG. 5 is a left side view thereof;
FIG. 6 is a top plan view thereof; and,
FIG. 7 is a bottom plan view thereof.
The broken lines are for illustrative purposes only and forms no part of the claimed design.

1 Claim, 7 Drawing Sheets



(56)

References Cited

U.S. PATENT DOCUMENTS

D483,275	S	*	12/2003	Chen	D10/15
D484,811	S	*	1/2004	Chang	D10/1
D525,880	S	*	8/2006	Okamura	D10/15
D532,055	S	*	11/2006	Lin	D21/531
D567,673	S	*	4/2008	Chu	D10/15
D600,569	S	*	9/2009	Sadler	D10/15
D612,267	S	*	3/2010	Tsang	D10/1
D615,421	S	*	5/2010	Bedol	D10/1
D628,907	S	*	12/2010	Bedol	D10/1
D640,142	S	*	6/2011	Bedol	D10/15
D647,502	S	*	10/2011	Holzer	D14/168
D656,043	S	*	3/2012	Westerlund	D10/15
D700,080	S	*	2/2014	Broadbent	D10/65
D744,353	S	*	12/2015	Bennasar Vilar	D10/6
D756,326	S	*	5/2016	Holzer	D14/171
D793,869	S	*	8/2017	Jeon	D10/2
2013/0012763	A1	*	1/2013	De Waele	A61B 5/00 600/28

OTHER PUBLICATIONS

Sunvito wake up light sunrise alarm clock | posted at amazon.com
 2017 © 1996-2017, Amazon.com, Inc [online][site visited Aug. 30,
 2017]. Available from Internet: <https://www.amazon.co.uk/Sunvito-Sunrise-Function-Control-Charger/dp/B06Y5ZF4YF/ref=sr_1_5?ie=UTF8&qid=1504127856&sr=8-5-spons&keywords=Bioxo+Sunrise+Simulation+Wake+Up+Light&psc=1>.*

* cited by examiner

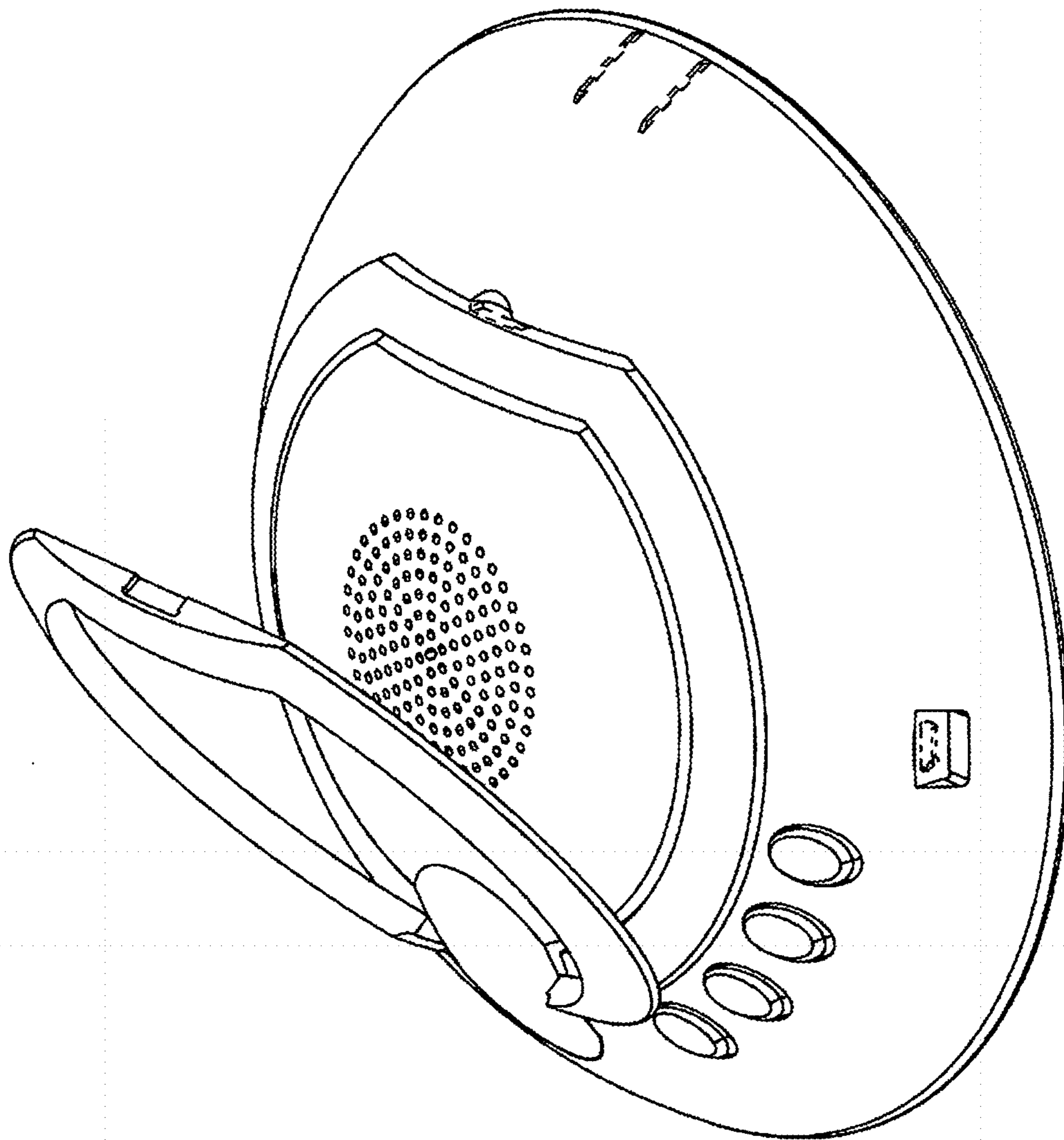


FIG. 1

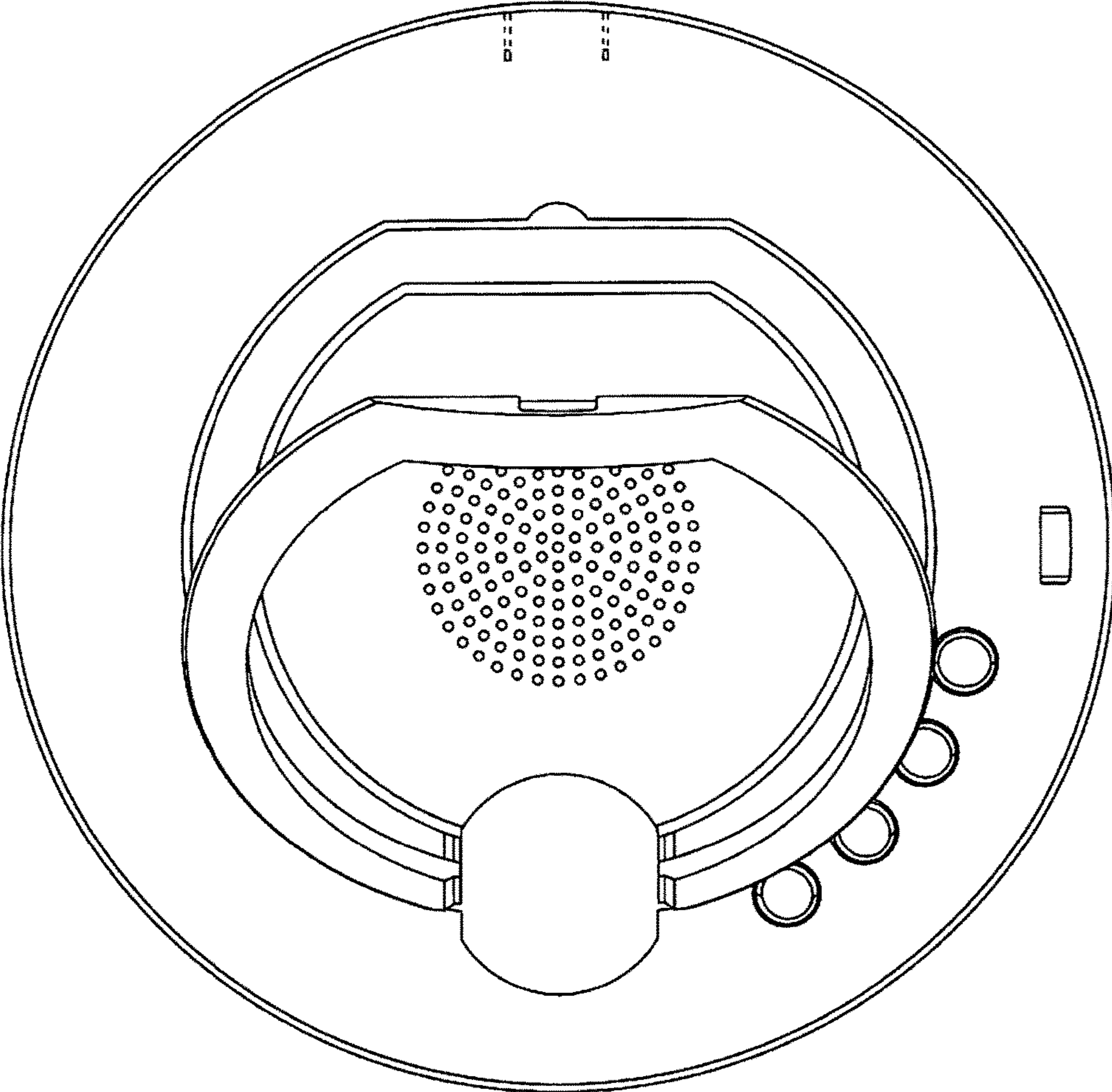


FIG. 2

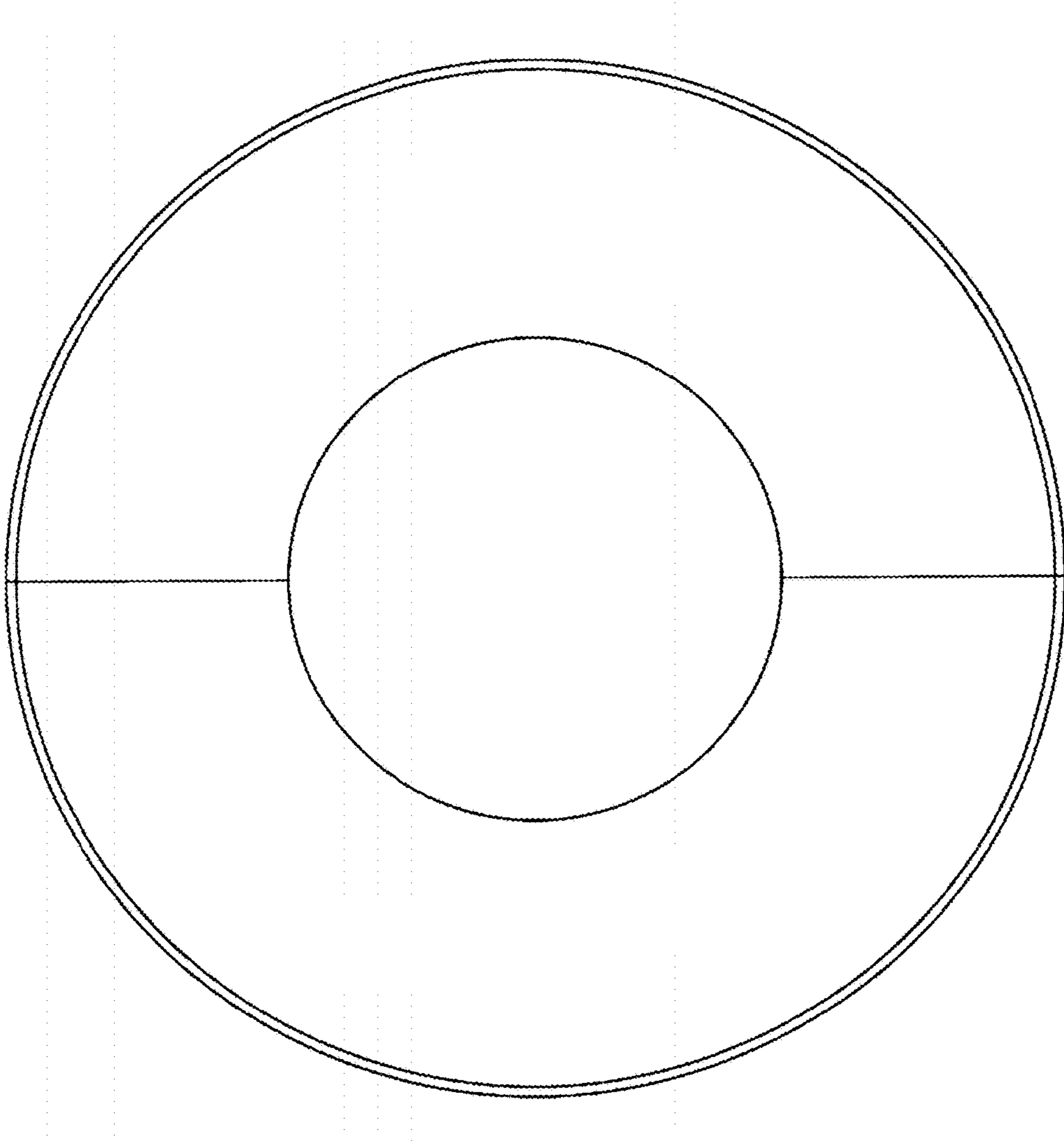


FIG. 3

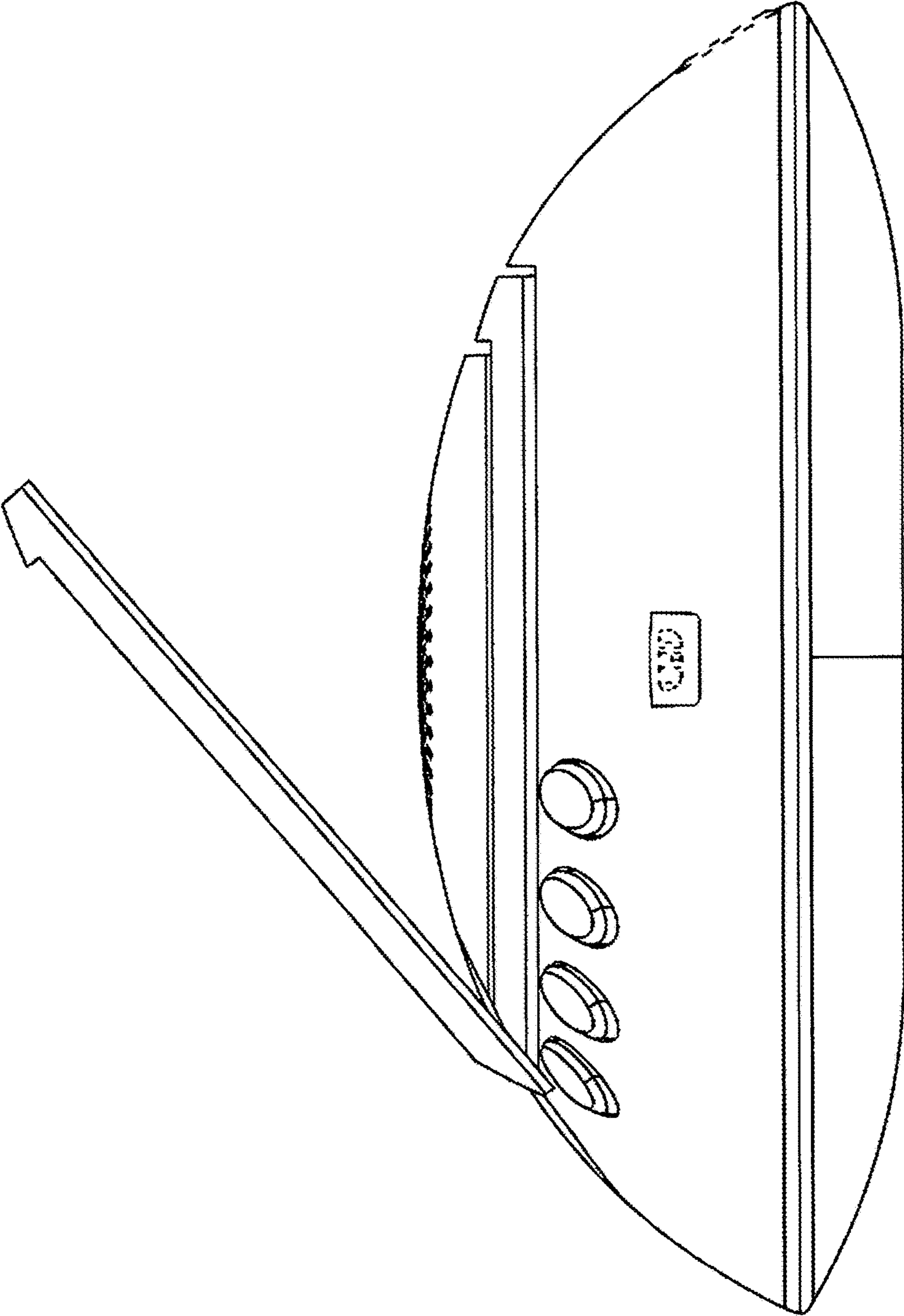


FIG. 4

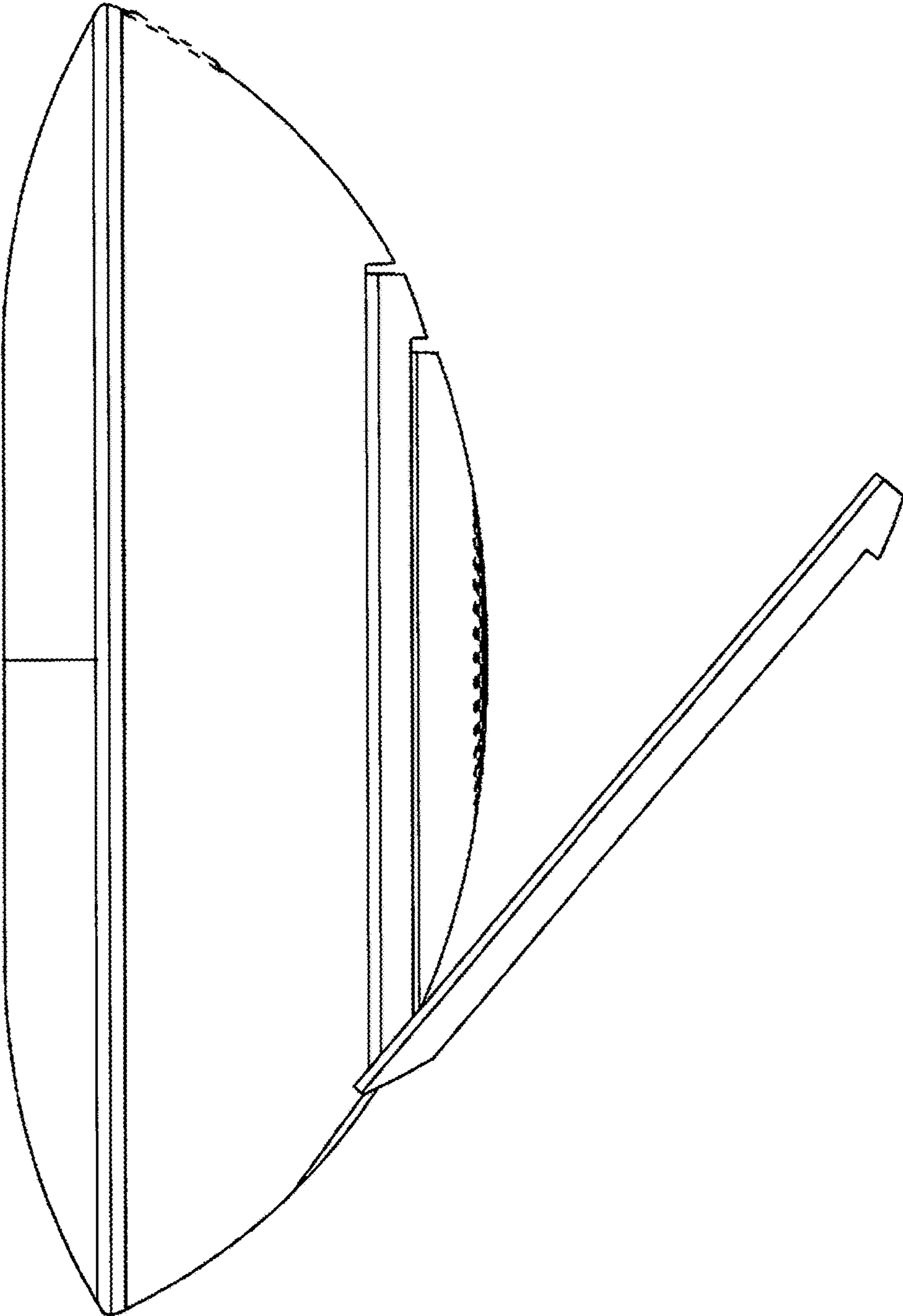


FIG. 5

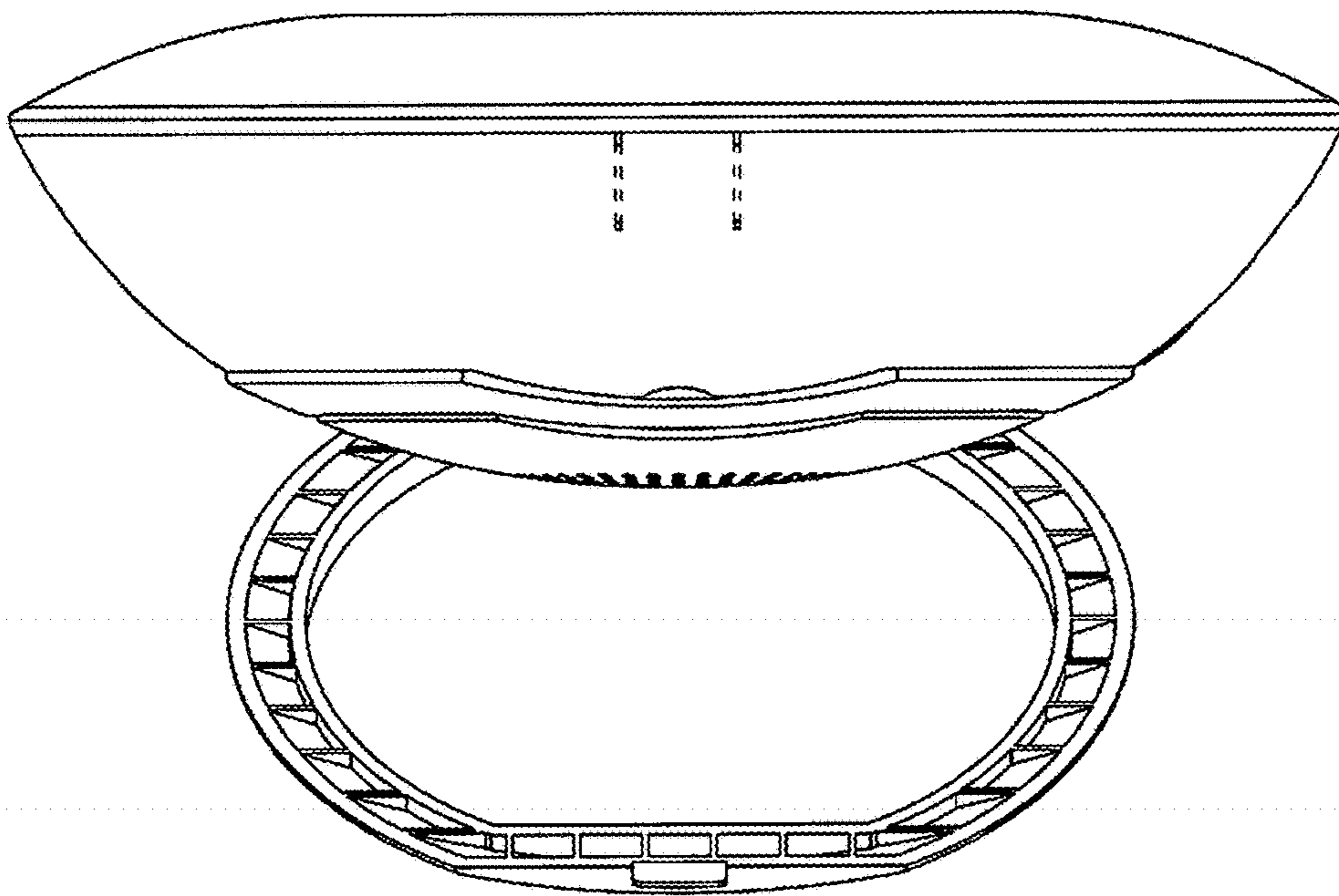


FIG. 6

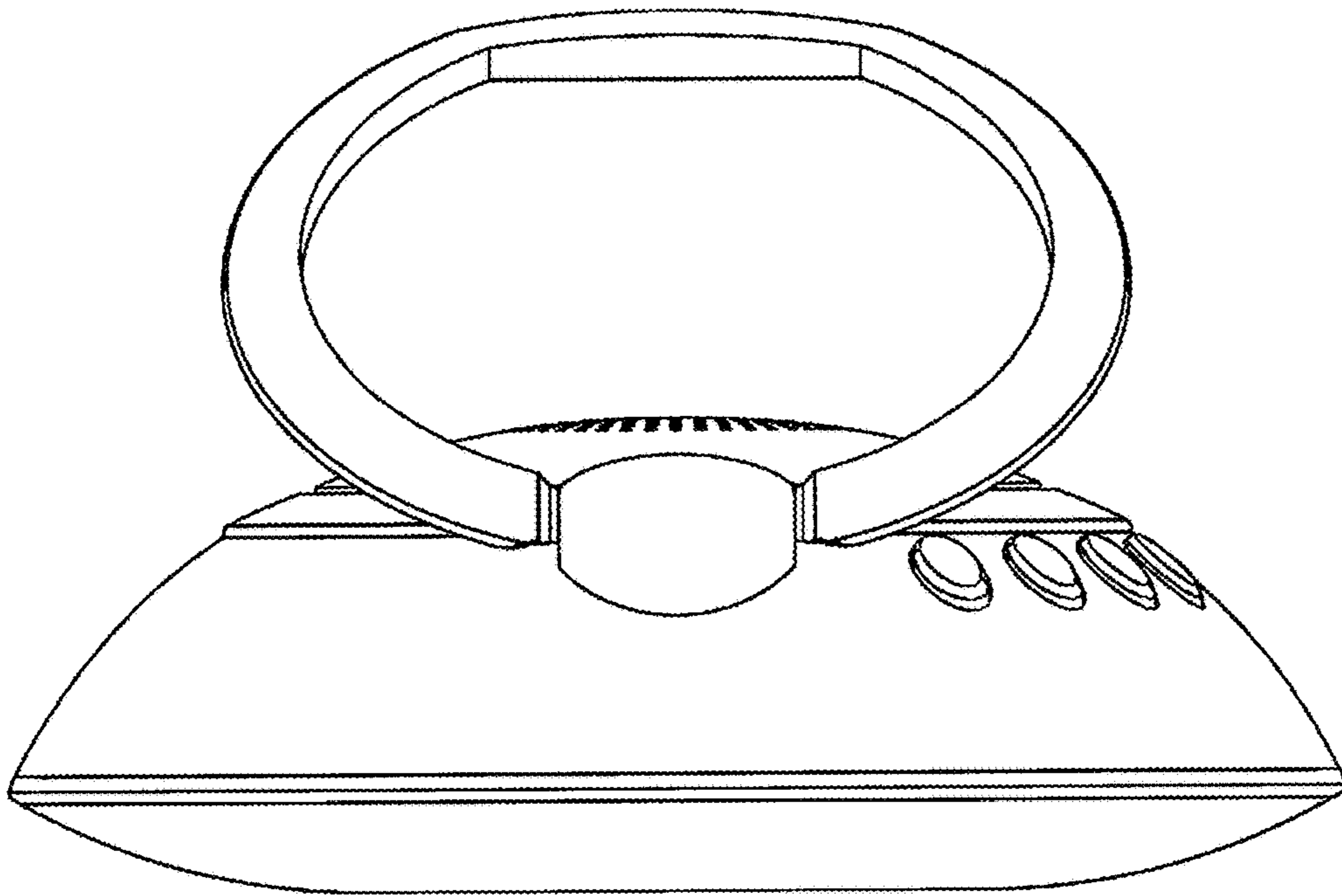


FIG. 7