



US00D821889S

(12) **United States Design Patent**
Cortese et al.

(10) **Patent No.:** **US D821,889 S**
(45) **Date of Patent:** **** Jul. 3, 2018**

(54) **EPOXY CONTAINER**

(71) Applicant: **PTKDELECUADOR S.A.**, Manta
(EC)

(72) Inventors: **Adriana Graciela Cortese**, Buenos Aires (AR); **Hernán Leandro Braberman**, Buenos Aires (AR); **Virginia Silvia Gines**, Buenos Aires (AR)

(73) Assignee: **PTKDELECUADOR S.A.**, Manta
(EC)

(**) Term: **15 Years**

(21) Appl. No.: **29/592,109**

(22) Filed: **Jan. 26, 2017**

(51) **LOC (11) Cl.** **09-01**

(52) **U.S. Cl.**
USPC **D9/723**

(58) **Field of Classification Search**
USPC D9/416, 516, 529, 549, 550, 556, 558, D9/571, 723-727; D24/100, 108, 115; D28/4, 7, 9, 73, 76, 85; 206/385, 438, 206/823; 222/206, 212, 213, 215; 604/295; 606/204.25
CPC A45D 34/04; A45D 34/042; A45D 40/00; A45D 40/26; A45D 40/262; B65D 1/023; B65D 47/18; B65D 41/02; B65D 2203/00
See application file for complete search history.

(56) **References Cited**

U.S. PATENT DOCUMENTS

D282,348 S * 1/1986 Federighi D9/442
D296,869 S * 7/1988 Bauwens D9/696
D342,444 S * 12/1993 Smith D9/416
D367,613 S * 3/1996 Weiler D24/224
D421,390 S 3/2000 DuGrenier et al.
D425,411 S 5/2000 May
D426,150 S * 6/2000 Izumi D9/415

D433,632 S 11/2000 Bender
D503,613 S 4/2005 Yang
D551,439 S * 9/2007 Smetham D3/203.1
D551,988 S * 10/2007 Oliver D9/696
(Continued)

FOREIGN PATENT DOCUMENTS

DE 40003985-0001 S 10/2000
EM 000061486-0003 S 5/2005
(Continued)

OTHER PUBLICATIONS

“Rigid Containers” found at: <http://www.maxpaxllc.com/rigid-containers.html>. MaxPax LLC. Published Nov. 27, 2013—accessed Feb. 16, 2018.

(Continued)

Primary Examiner — Derrick Edward Holland
Assistant Examiner — Janice Julia Patyk
(74) *Attorney, Agent, or Firm* — Miller Nash Graham & Dunn LLP

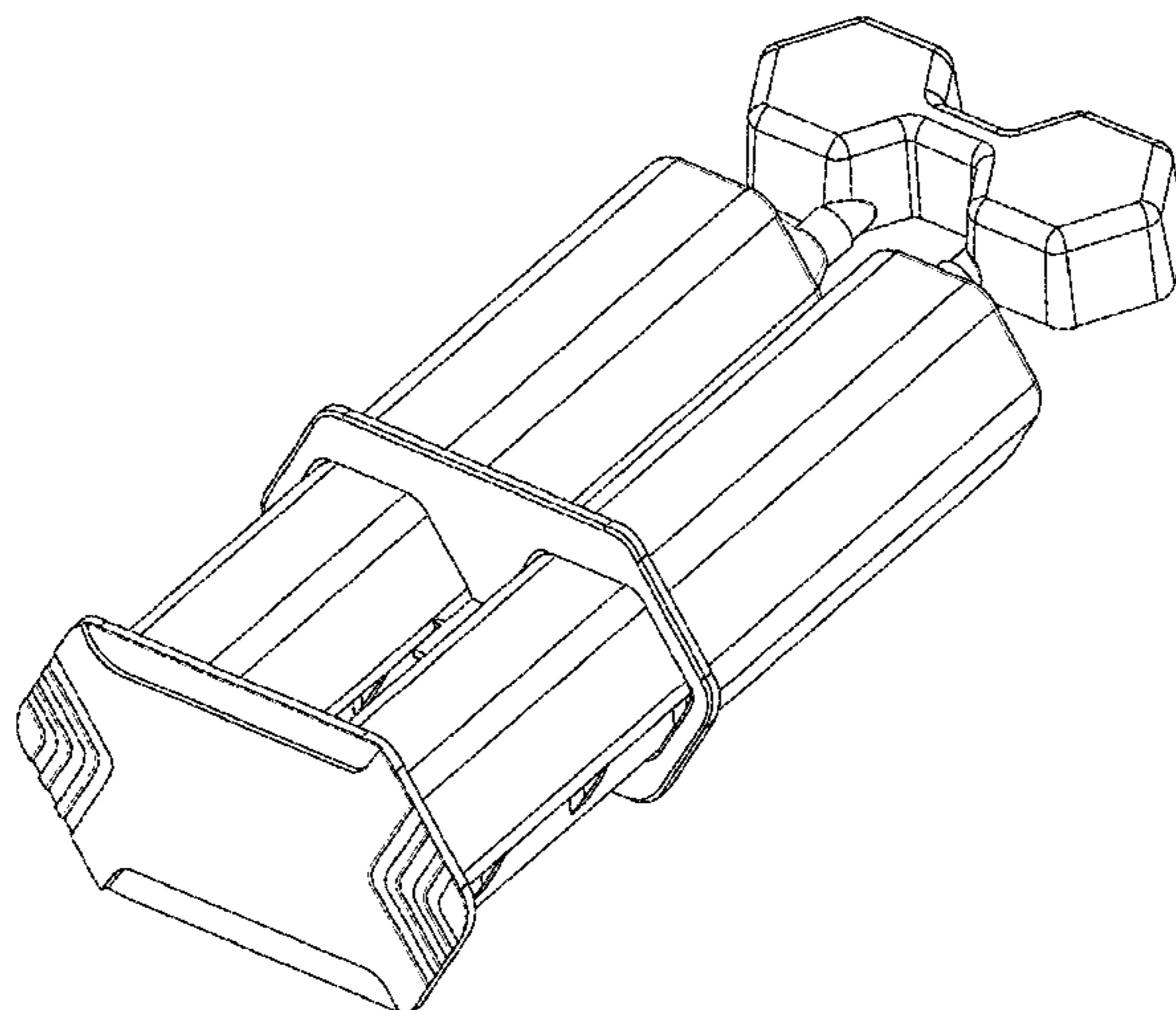
(57) **CLAIM**

The ornamental design for an epoxy container, as shown and described.

DESCRIPTION

FIG. 1 is a front perspective view of an epoxy container, showing our new design;
FIG. 2 is a rear perspective view thereof;
FIG. 3 is a left side view thereof;
FIG. 4 is a right side view thereof;
FIG. 5 is a front view thereof;
FIG. 6 is a rear view thereof;
FIG. 7 is a top view thereof; and,
FIG. 8 is a bottom view thereof.
The broken lines in the figures illustrate the portions of the design that form no part of the claimed design.

1 Claim, 7 Drawing Sheets



(56)

References Cited

U.S. PATENT DOCUMENTS

D567,669 S	4/2008	Py et al.	
D591,170 S *	4/2009	Lux	D9/726
D603,253 S	11/2009	Cote et al.	
D617,634 S	6/2010	Cote et al.	
D650,701 S	12/2011	Py et al.	
D692,308 S	10/2013	Baker	
D694,638 S	12/2013	Baker	
D714,645 S *	10/2014	Li	D9/724
D770,302 S	11/2016	Oelz et al.	

FOREIGN PATENT DOCUMENTS

EM	000061486-0005 S	5/2005
EM	000306022-0001 S	5/2005
EM	000397658-0002 S	10/2005
EM	000861422-0003 S	2/2008
EM	000923529-0001 S	5/2008
EM	001032502-0001 S	11/2008
EM	001786278-0002 S	11/2010
EM	002353177-0018 S	12/2013
EM	002383950-0001 S	1/2014
EM	002428367-0001 S	3/2014
EM	002882795-0001 S	2/2016
FR	34138-00 S	9/2002
NZ	17853 S	12/2004
WO	DM/072 304 S	2/2010
WO	DM/073 283 S	9/2010
WO	DM/075 944 S	9/2011
WO	DM/083 616 S	10/2014
WO	DM/088 230 S	5/2016

OTHER PUBLICATIONS

“Devcon Epoxy Syringe” found at: <http://www.rhinestonesu.com/wholesale-rhinestone-glue-devcon-epoxy-syringe.aspx>. Rhinestones Unlimited. Published at least as early as Jan. 26, 2017—Accessed Jan. 26, 2017.

“Epoxy Syringe” found at: <https://mmille42.wordpress.com/page/2/>. Monica’s Design Innovation Journal. Published Dec. 8, 2009—accessed Feb. 16, 2018.

“Epoxy” found at: <https://www.thorlabs.com/thorproduct.cfm?partnumber=G14250>. Thorlabs. Published at least as early as Jan. 26, 2017—accessed Feb. 16, 2018.

“Loctite Gray Epoxy Adhesive” found at: <http://www.msdirect.com/industrialtools/loctite-gray-epoxy-adhesive.html>. MSC Industrial Direct Co., Inc. Published at least as early as Jan. 26, 2017—Accessed Feb. 16, 2018.

“Duo-pak Two-part Epoxy” found at: <http://www.msdirect.com/product/details/65861601>. MSC Industrial Direct Co., Inc. Published at least as early as Jan. 26, 2017—Accessed Feb. 16, 2018.

“Devon 5minute Epoxy” found at: <http://www.msdirect.com/industrialtools/devcon-metal-epoxy-glue.html> MSC Industrial Direct Co., Inc. Published at least as early as Jan. 26, 2017—Accessed Feb. 16, 2018.

“Devcon High Performance Chemical Resistant Structural Adhesive Epoxy” found at: <http://www.all-spec.com/Catalog/Adhesives-Sealants-Tapes/Adhesives/Epoxy-Adhesives/14415-38794>. All-Spec. Published at least as early as Jan. 26, 2017—Accessed Feb. 16, 2018.

“Epoxy Resin” found at: <http://www.familyhandyman.com/carpentry/how-to-use-epoxy-resin-like-a-pro>. The Family Handyman—Published Apr. 2, 2016—Accessed Feb. 16, 2018.

“Epoxy is a two-part glue” found at: <http://www.popularwoodworking.com/projects/11-tips-for-using-epoxy>. Popular Woodworking Magazine. Published Sep. 26, 2011—Accessed Feb. 16, 2018.

“Using Epoxy with Cabs and Settings” found at: <http://www.limabeads.com/Using-Epoxy-with-Cabs-and-Settings-T21>. Lima Beads. Published Oct. 5, 2011—Accessed Feb. 16, 2018.

“Adhesive Epoxy Packaging” found at: <http://www.adhesivematerialsgroup.com/materials/adhesives/epoxy-packaging>. Adhesive Materials Group—A Division of Hisco. Published Mar. 23, 2012—Accessed Feb. 16, 2018.

“General Purpose Adhesive Epoxy” found at: <http://www.all-spec.com/Catalog/Adhesives-Sealants-Tapes/Adhesives/Epoxy-Adhesives/14200-15093>. All-Spec. Published at least as early as Jan. 26, 2017—Accessed Feb. 16, 2018.

* cited by examiner

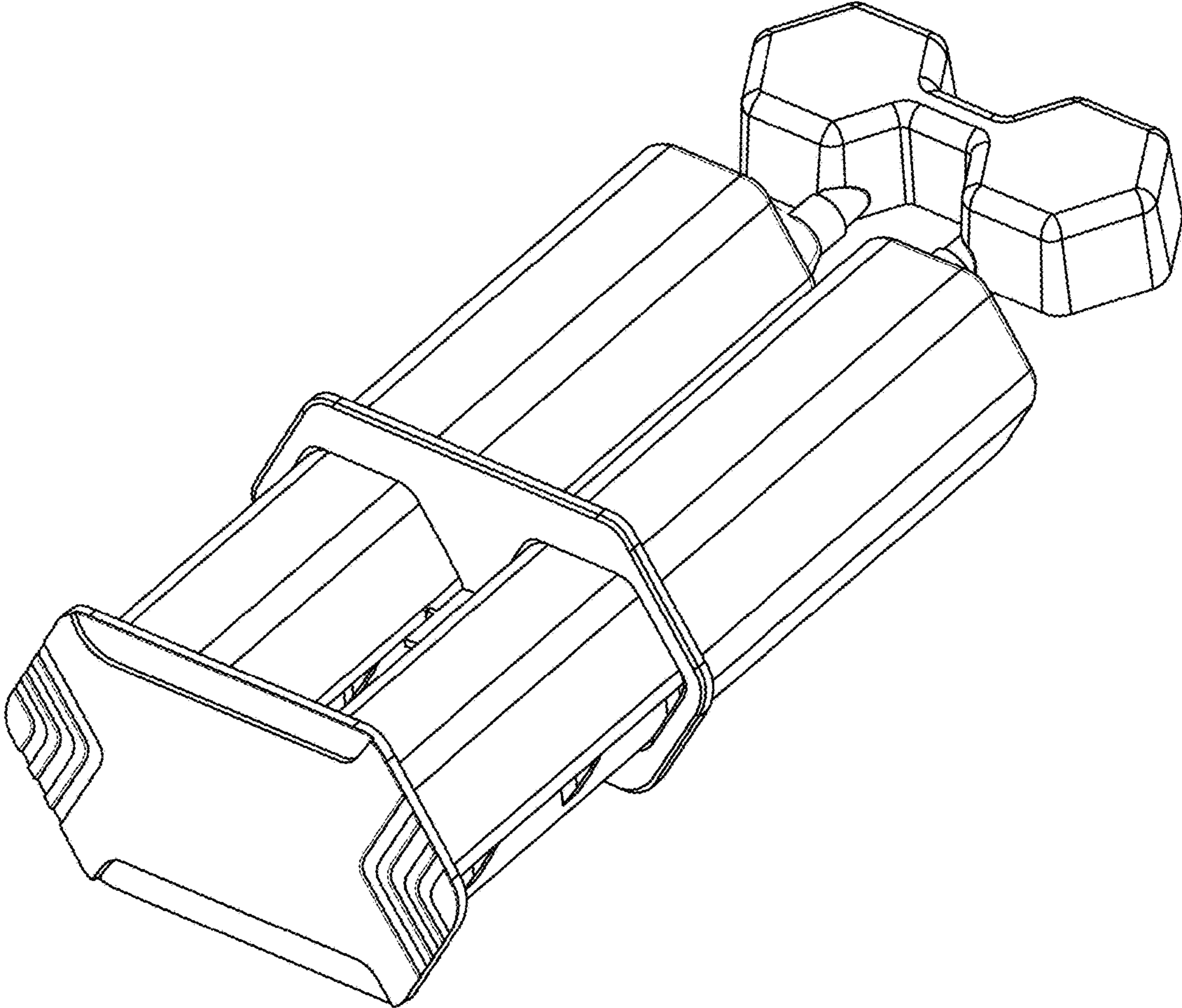


FIG. 1

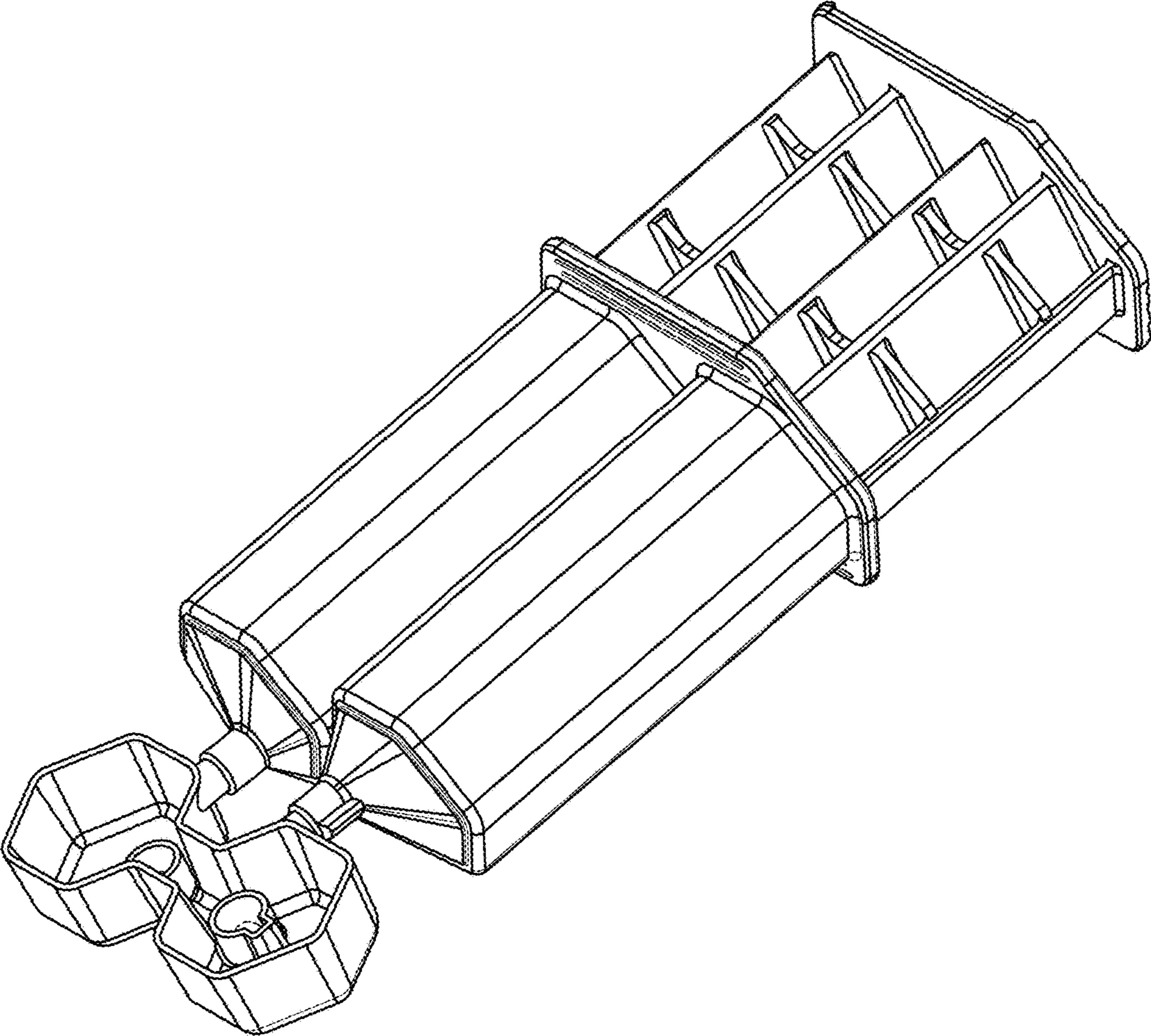


FIG. 2

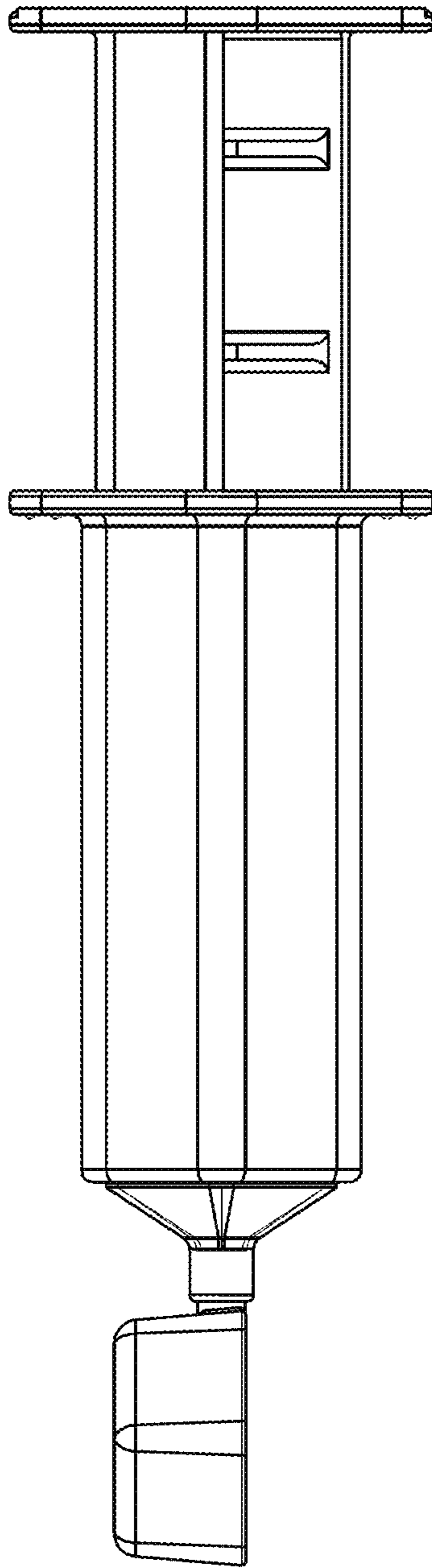


FIG. 3

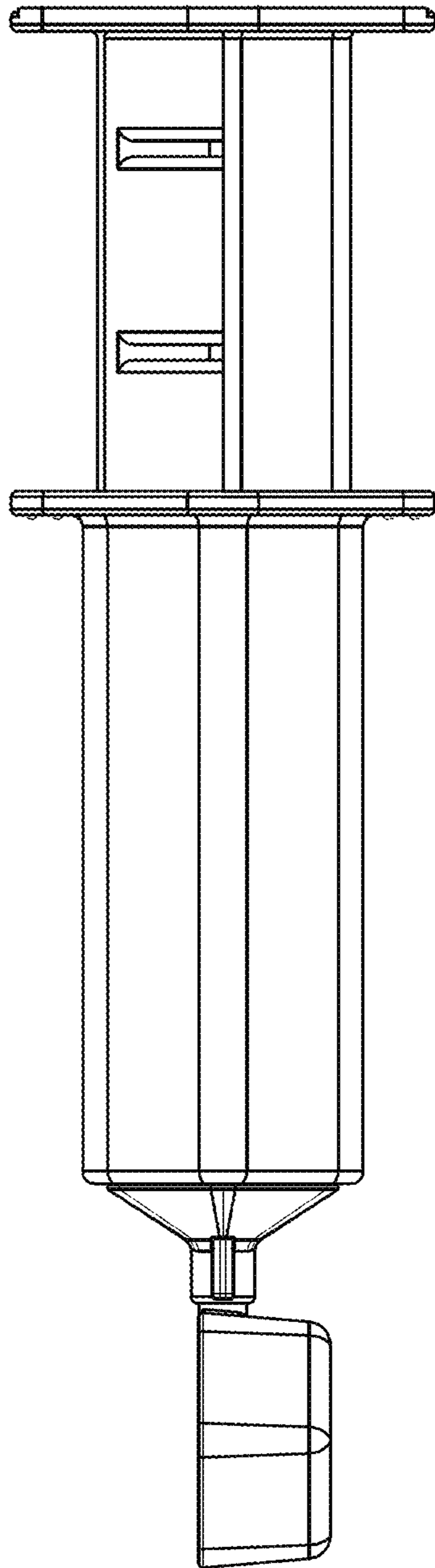


FIG. 4

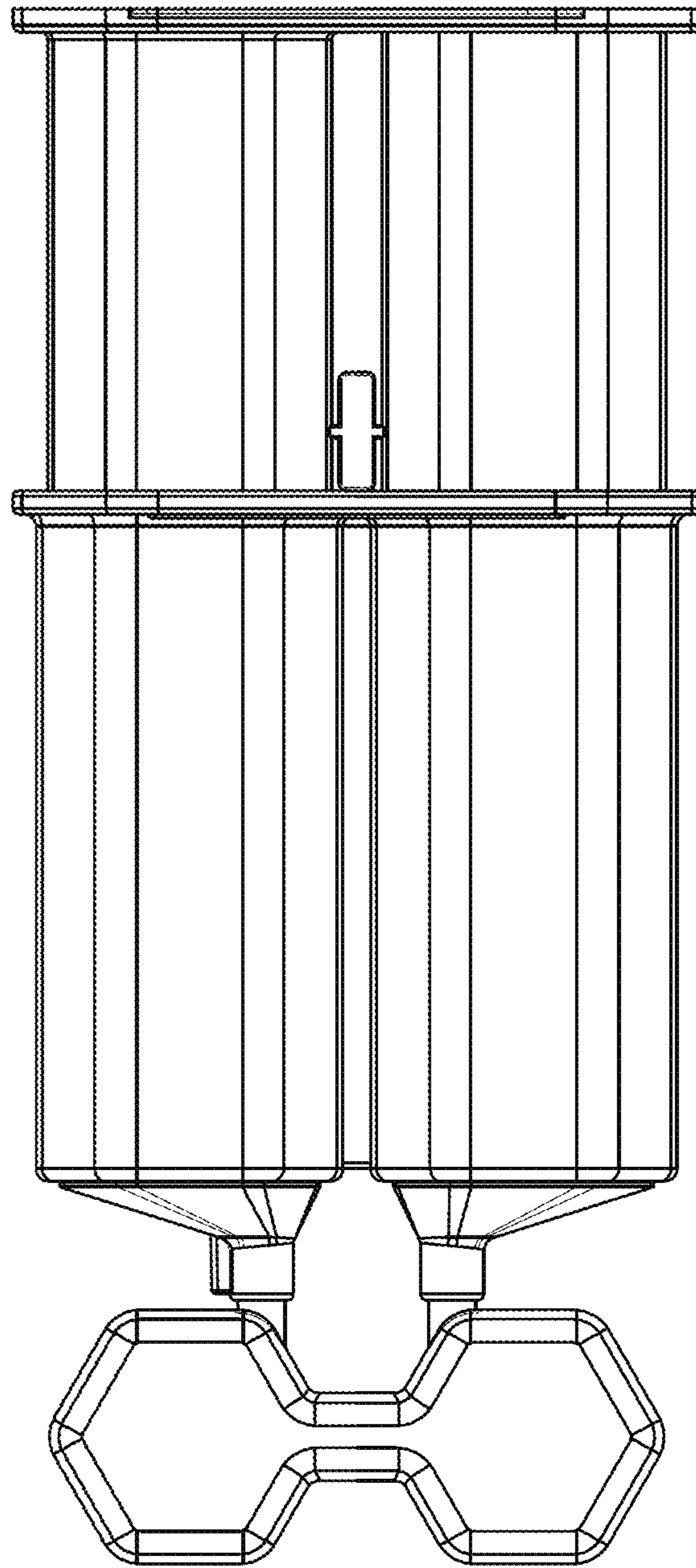


FIG. 5

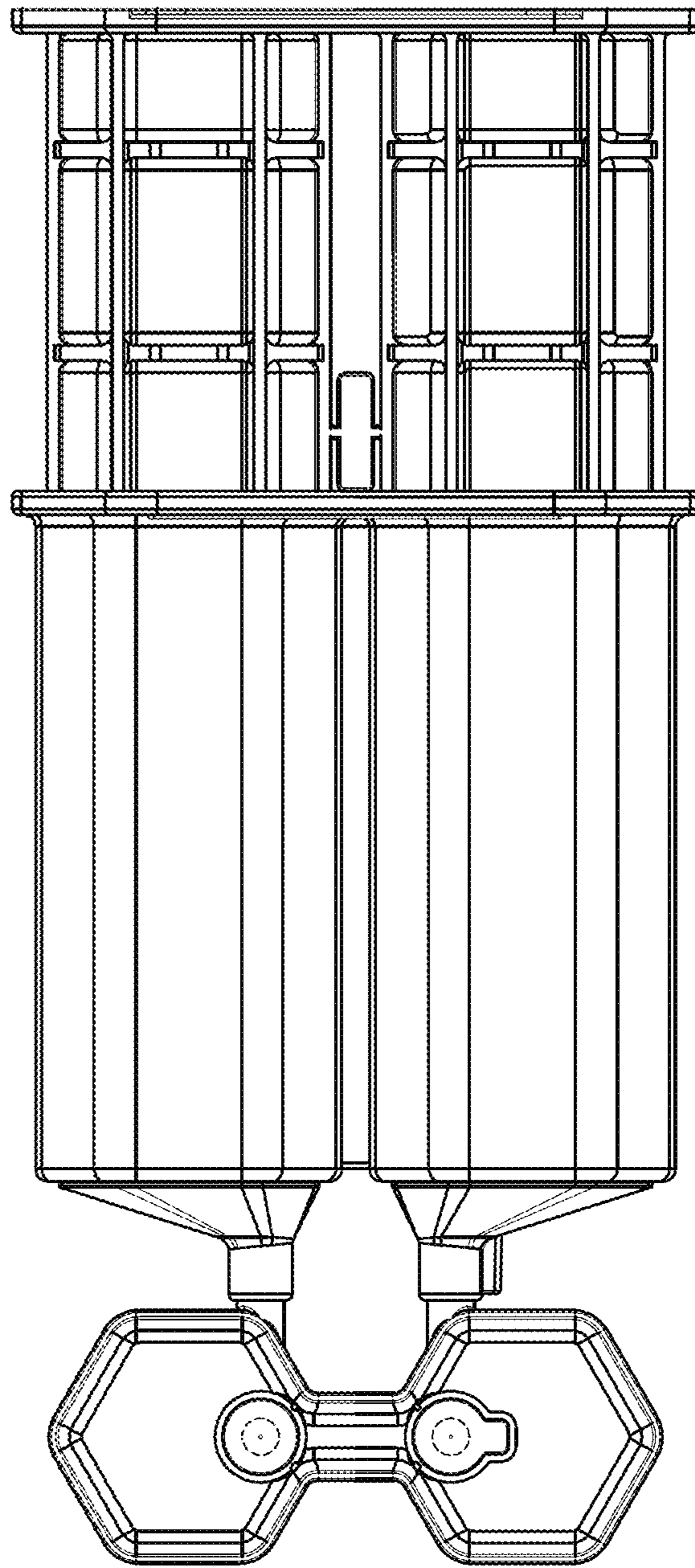


FIG. 6

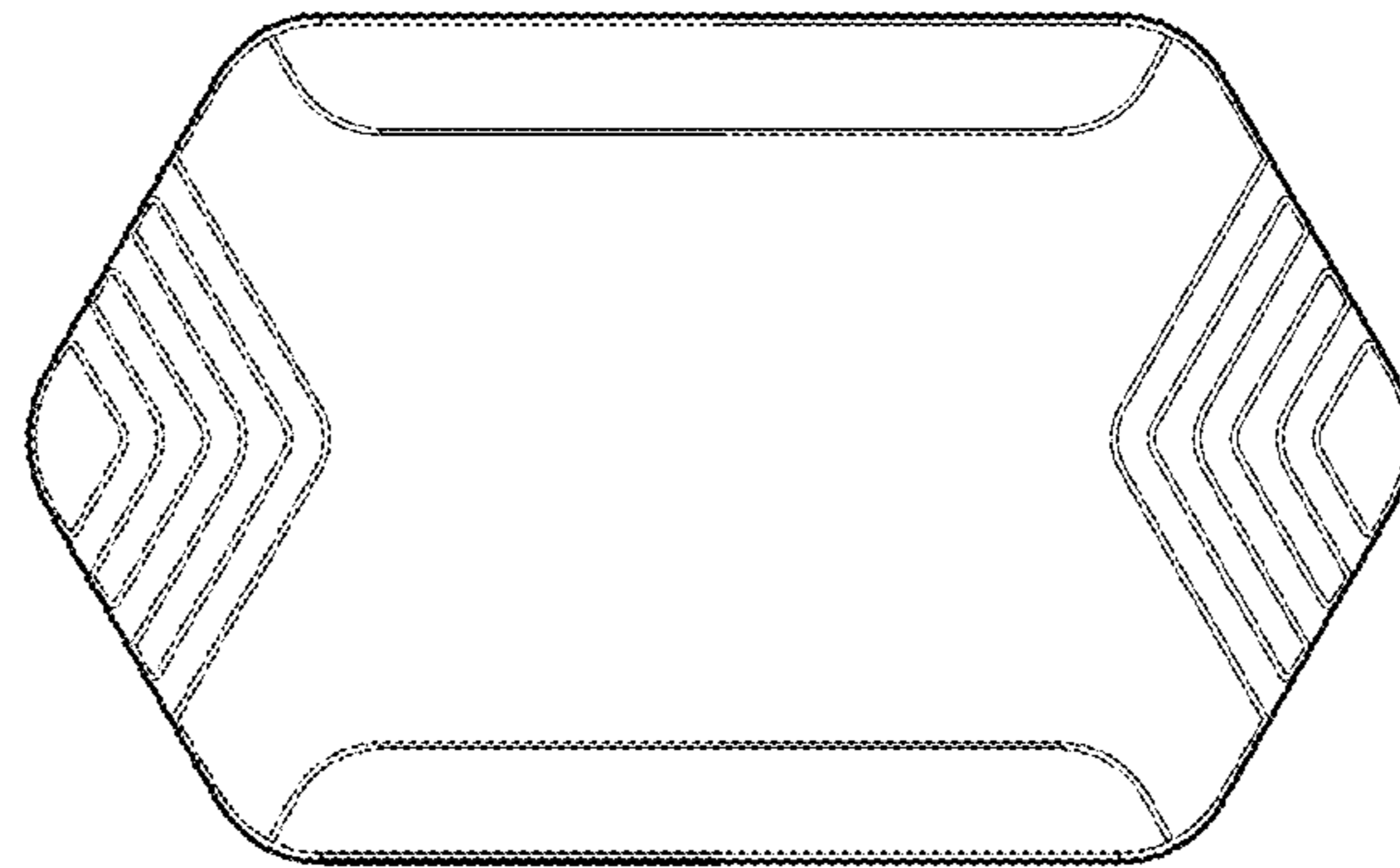


FIG. 7

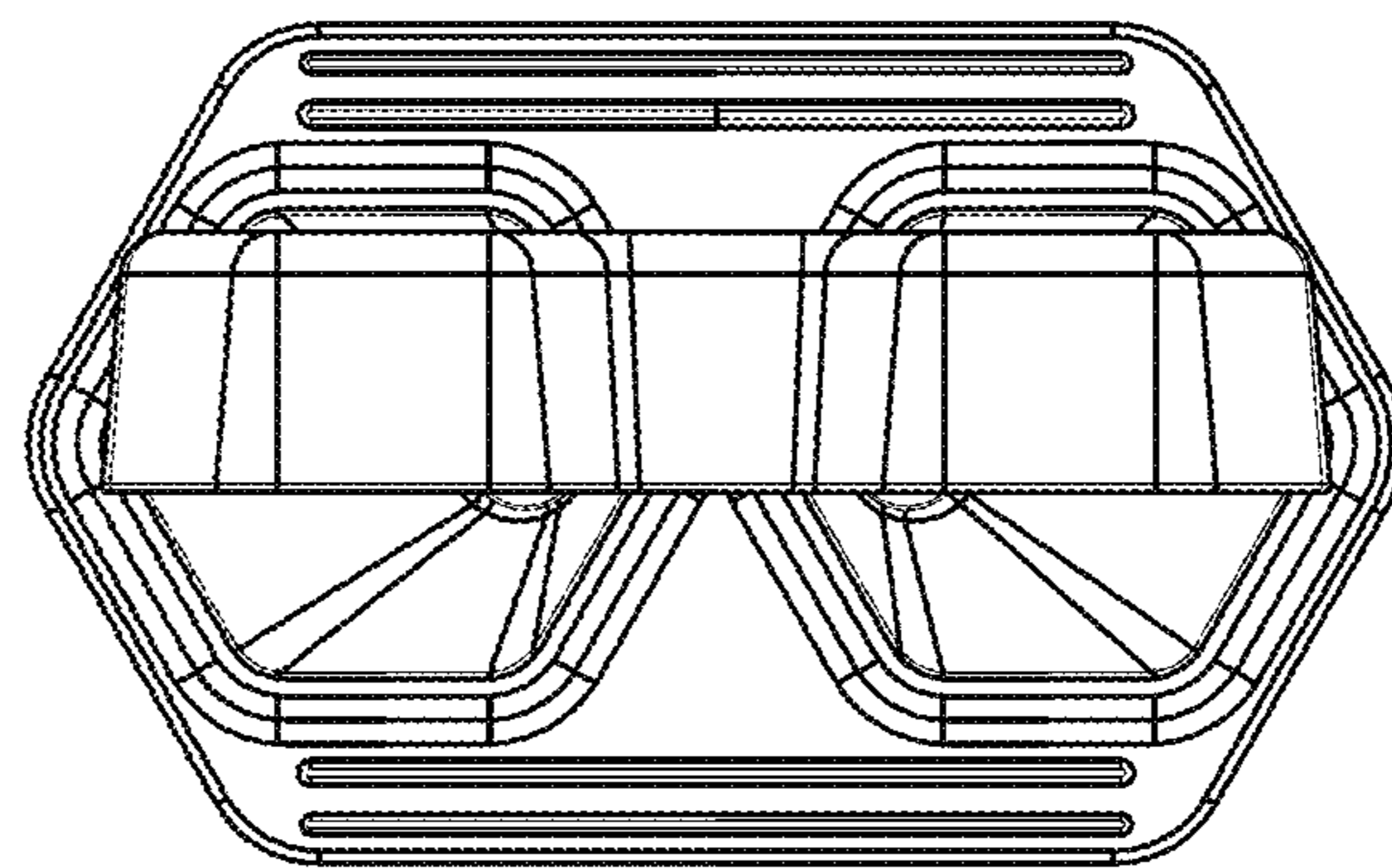


FIG. 8