



US00D821888S

(12) **United States Design Patent**
Murray

(10) **Patent No.:** **US D821,888 S**

(45) **Date of Patent:** **** Jul. 3, 2018**

(54) **MULTI-COMPARTMENT POUCH**

(71) Applicant: **Penta 5 USA, LLC**, Sarasota, FL (US)

(72) Inventor: **R. Charles Murray**, Sarasota, FL (US)

(73) Assignee: **Penta 5 USA, LLC**, Sarasota, FL (US)

(*) Notice: This patent is subject to a terminal disclaimer.

(**) Term: **15 Years**

(21) Appl. No.: **29/592,518**

(22) Filed: **Jan. 31, 2017**

(51) **LOC (11) Cl.** **09-05**

(52) **U.S. Cl.**
USPC **D9/707**

(58) **Field of Classification Search**
USPC D9/702-714, 720-722, 414, 434-435, D9/696, 716, 771, 447, 516-517, D9/738-747, 544, 520-521; D24/118, D24/207, 108; 383/6, 9, 22, 96, 61.1, 383/80-81, 104, 901, 63, 203, 107, 383/119-120, 123, 61.2, 44; 220/675, 220/495.03; 215/381-385, 400, 328, 316; 206/484; D3/202; 428/34.3; 222/92, 222/215, 95, 107; 604/408, 403, 415
CPC ... B65D 1/00; B65D 1/02; B65D 1/09; B65D 1/10; B65D 1/32; B65D 1/0223; B65D 81/00; B65D 81/03; B65D 81/2084; B65D 81/3461; A47J 36/027
See application file for complete search history.

(56) **References Cited**

U.S. PATENT DOCUMENTS

| | | | | | |
|------------|---|---------|----------|-------|--------|
| D318,611 S | * | 7/1991 | Sherman | | D9/710 |
| D465,726 S | * | 11/2002 | Tet | | D9/708 |
| D596,496 S | * | 7/2009 | Ichikawa | | D9/708 |
| D645,762 S | * | 9/2011 | Hong | | D9/710 |
| D654,372 S | * | 2/2012 | Hung | | D9/710 |

| | | | | | |
|------------|---|---------|---------|-------|--------|
| D669,795 S | * | 10/2012 | Larkin | | D9/707 |
| D678,079 S | * | 3/2013 | Fritsch | | D9/708 |
| D690,605 S | * | 10/2013 | Hong | | D9/710 |

(Continued)

OTHER PUBLICATIONS

R. Charles Murray, U.S. Appl. No. 29/532,178, filed Oct. 25, 2016.

(Continued)

Primary Examiner — Abraham Bahta

(74) *Attorney, Agent, or Firm* — Dinsmore & Shohl LLP

(57) **CLAIM**

The ornamental design for a multi-compartment pouch, as shown and described.

DESCRIPTION

FIG. 1 is a perspective view of the front of a multi-compartment pouch showing a first embodiment of my new design;

FIG. 2 is a back elevational view thereof;

FIG. 3 is a top elevational view thereof;

FIG. 4 is a left side elevational view thereof;

FIG. 5 is a front elevational view thereof;

FIG. 6 is a bottom elevational view thereof;

FIG. 7 is a right side elevational view thereof;

FIG. 8 is a perspective view of the front of a multi-compartment pouch showing a second embodiment of my new design;

FIG. 9 is a back elevational view thereof;

FIG. 10 is a top elevational view thereof;

FIG. 11 is a left side elevational view thereof;

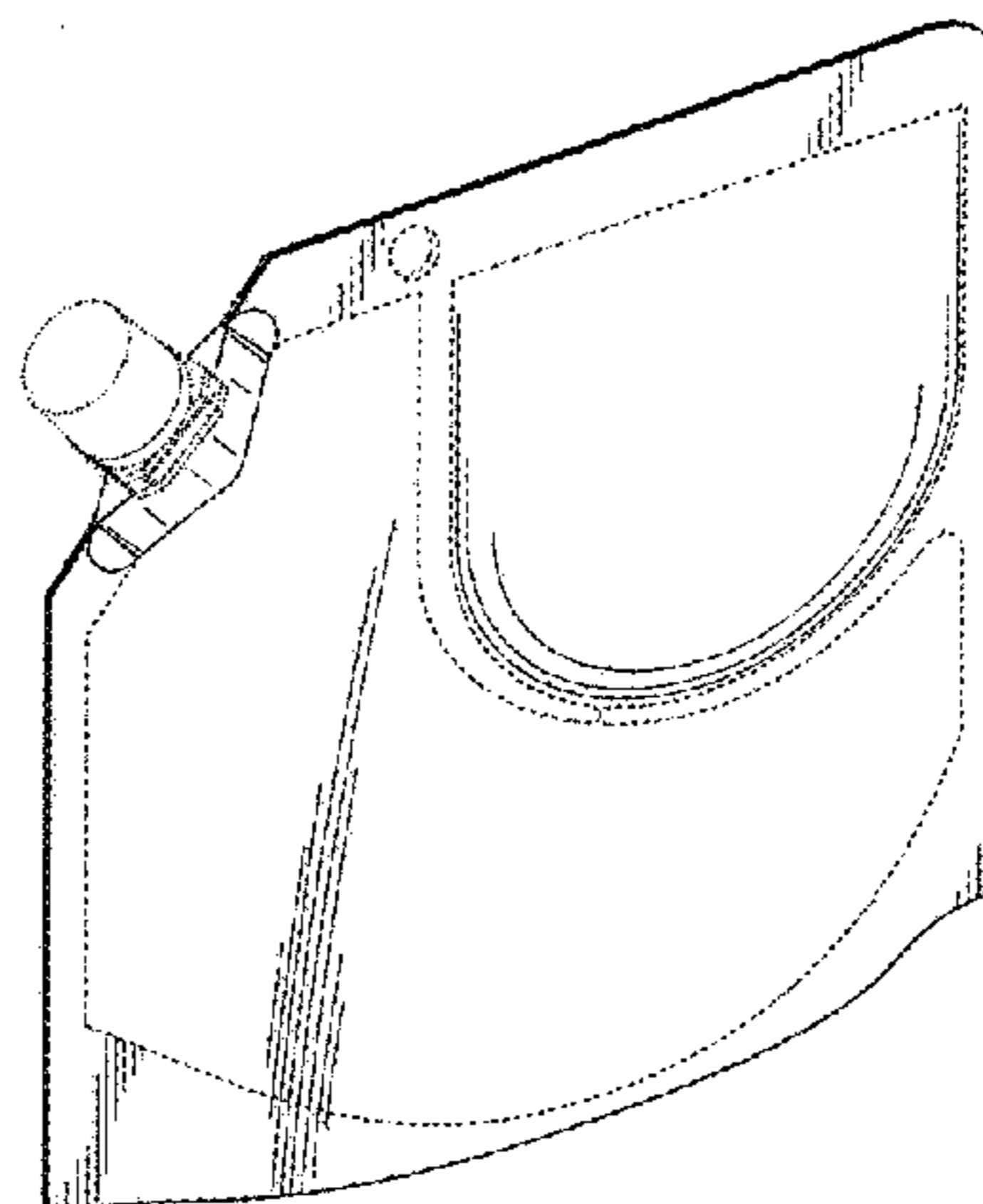
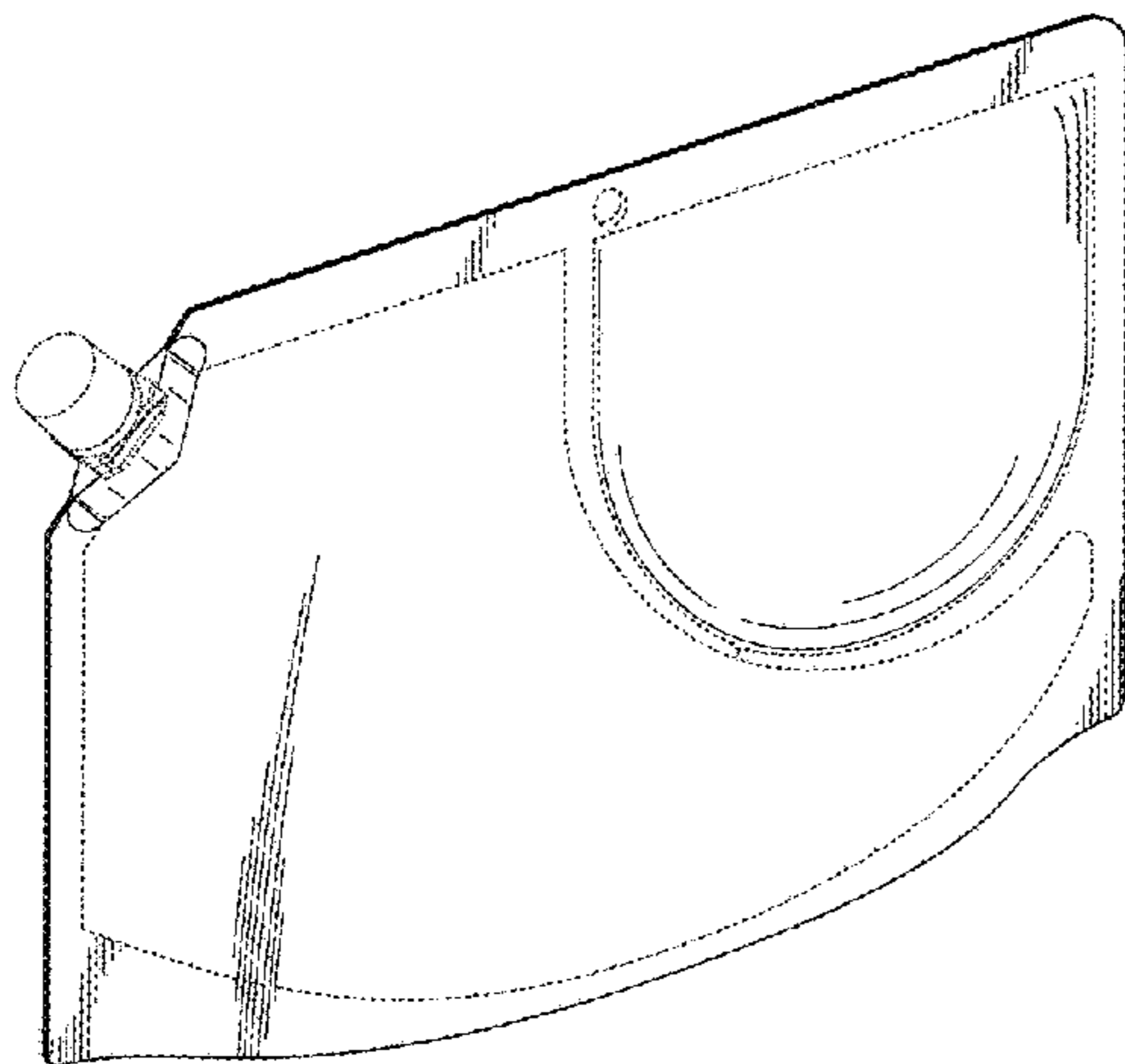
FIG. 12 is a front elevational view thereof;

FIG. 13 is a bottom elevational view thereof; and,

FIG. 14 is a right side elevational view thereof.

The broken line showing of portions of the multi-compartment pouch is included for the purpose of illustrating environmental structure and forms no part of the claimed design.

1 Claim, 6 Drawing Sheets



(56)

References Cited

U.S. PATENT DOCUMENTS

D703,549 S * 4/2014 Murray D9/707
D721,594 S * 1/2015 Murray D9/708
D735,053 S * 7/2015 Anastasiadis D9/710
D778,730 S * 2/2017 Sahatjian D9/707

OTHER PUBLICATIONS

R. Charles Murray, U.S. Appl. No. 15/360,448, filed Nov. 23, 2016.
“GardenPaq™ Outdoor Zone Pouch—MosquitoPaQ,” Published:
Mar. 12, 2017, URL: <http://mosquitopaq.com/product/gardenpad-outdoor-zone-pouch/>.

“MosquitoPaQ™ no-bite 7 Day Outdoor Zone Product—
MosquitoPaQ,” Published: Mar. 12, 2017, URL: <http://mosquitopaq.com/product/mosquitopaq-no-bite-7-day-outdoor-zone-product/>.

“MosquitoPaQ™ no-bite 15 Day Outdoor Zone Product—
MosquitoPaQ,” Published: Mar. 12, 2017, URL: <http://mosquitopaq.com/product/mosquitopaq-no-bite-15-day-outdoor-zone-product/>.

* cited by examiner

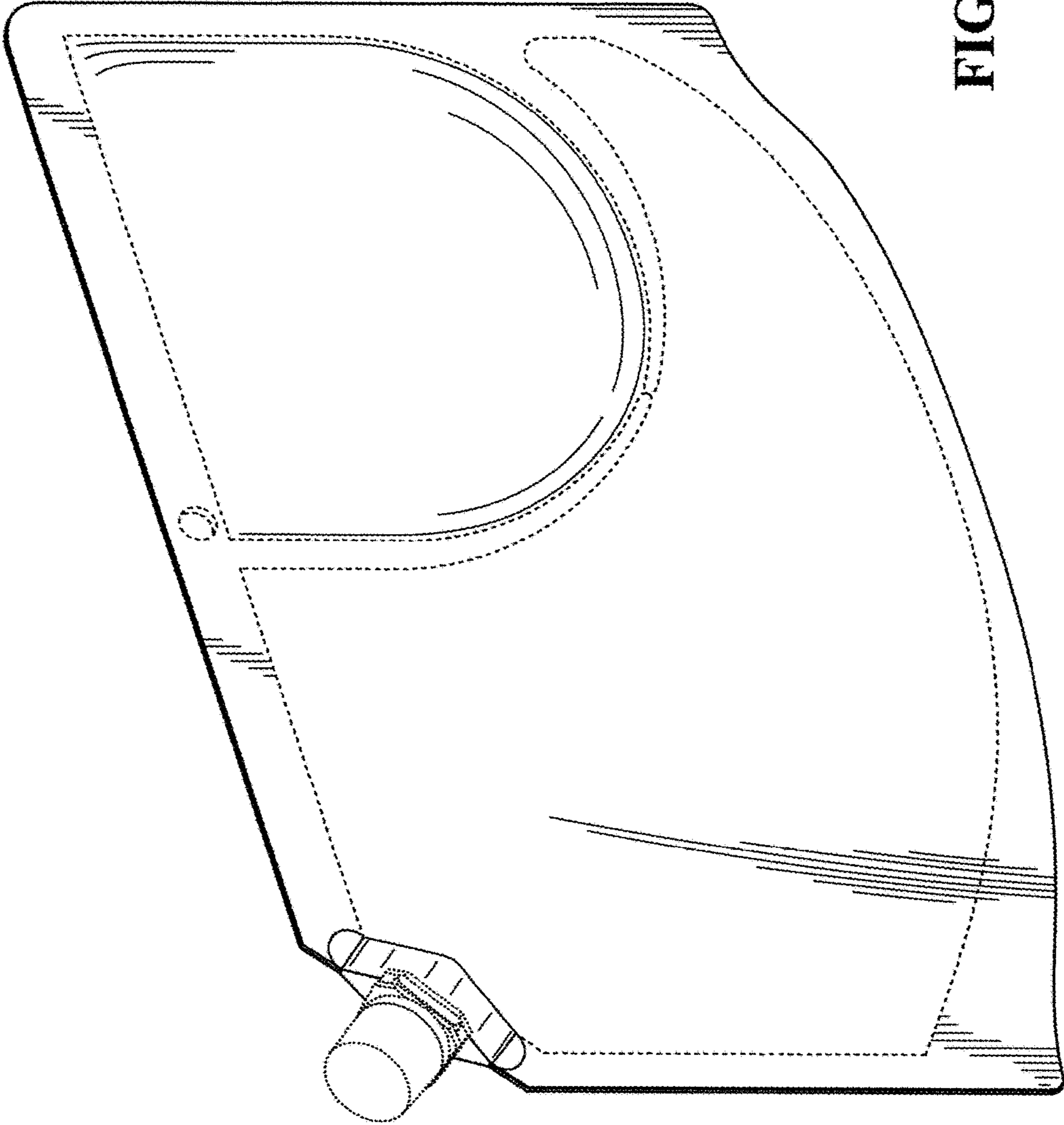


FIG. 1

FIG. 3

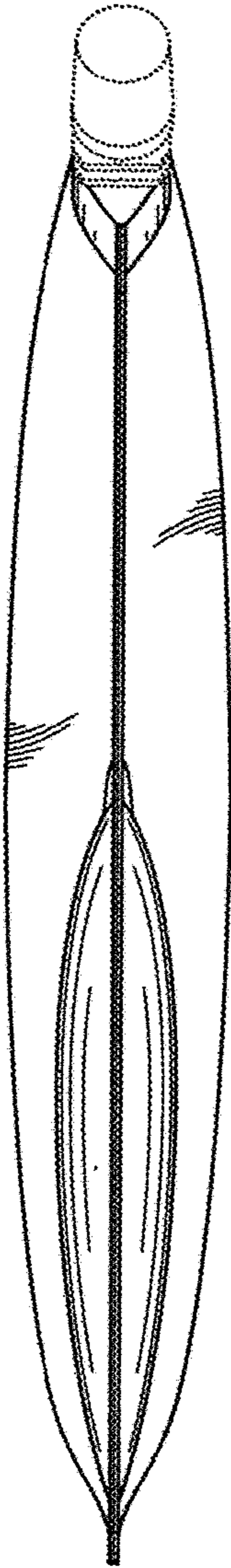


FIG. 2

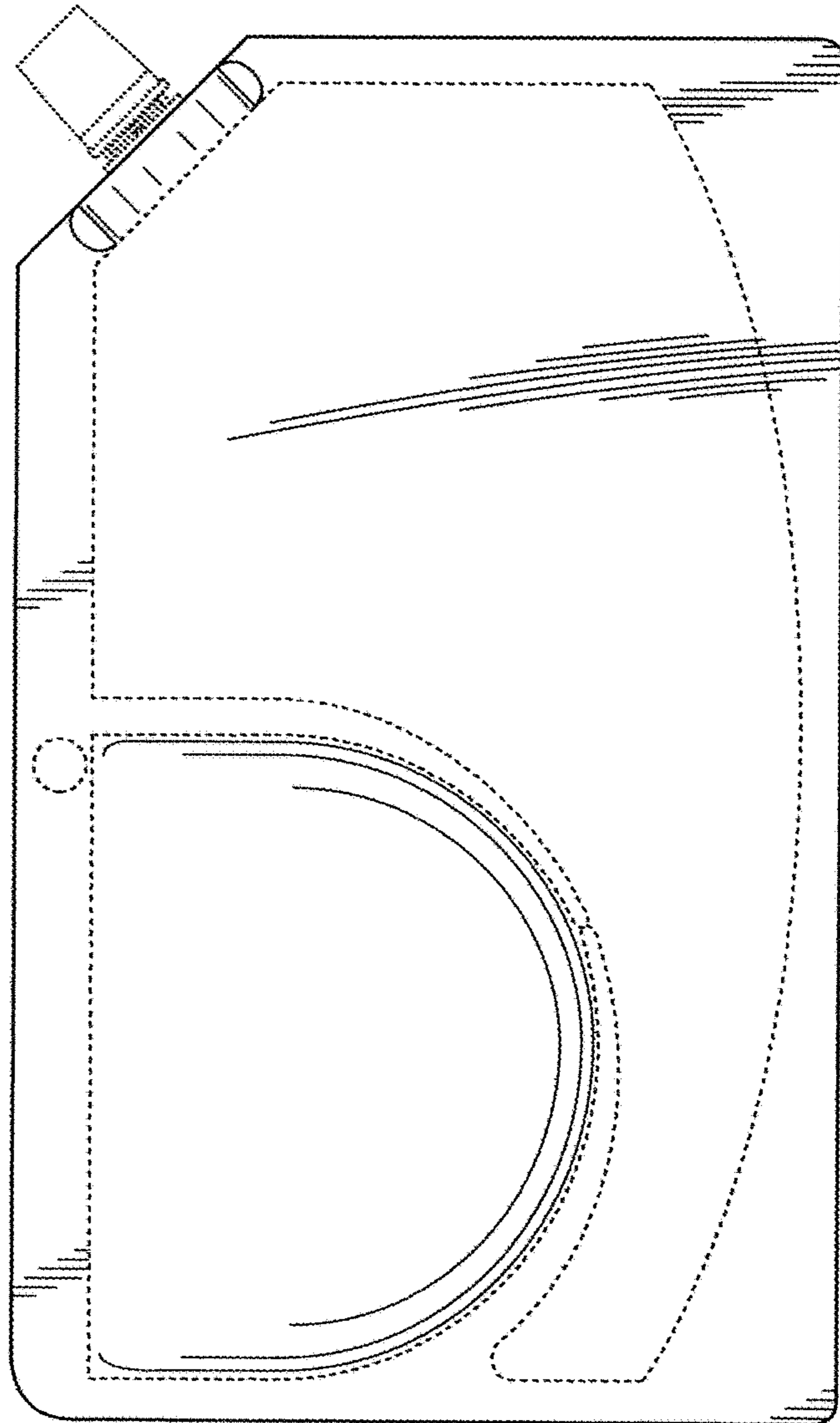


FIG. 4

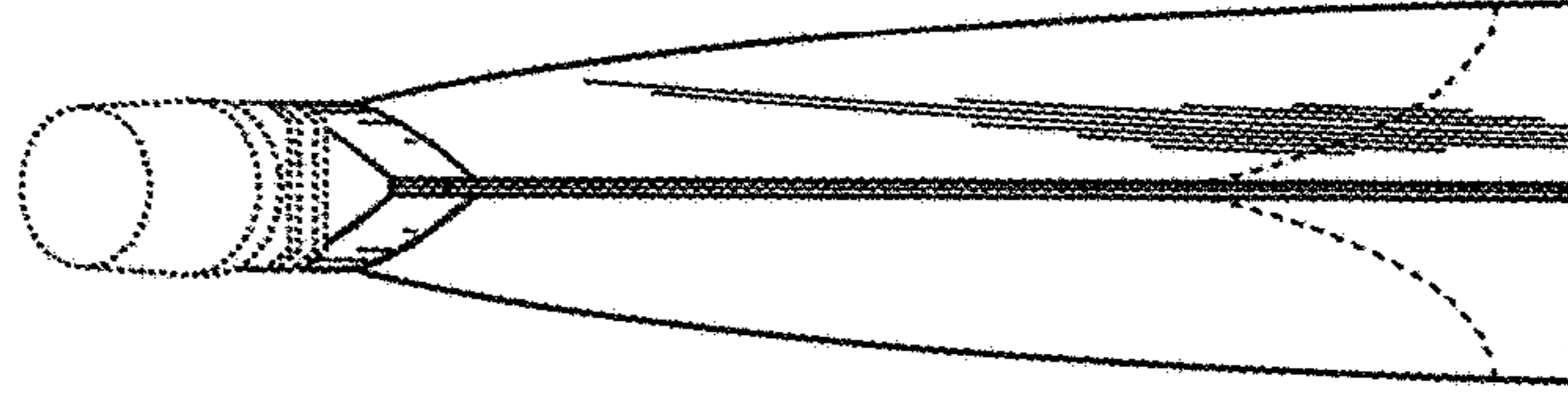


FIG. 5

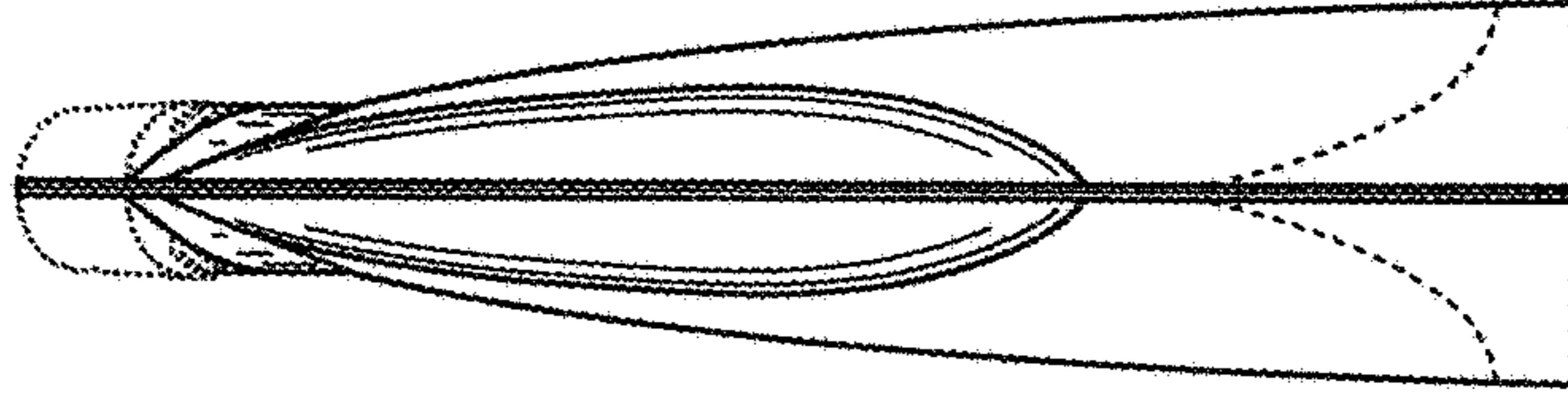
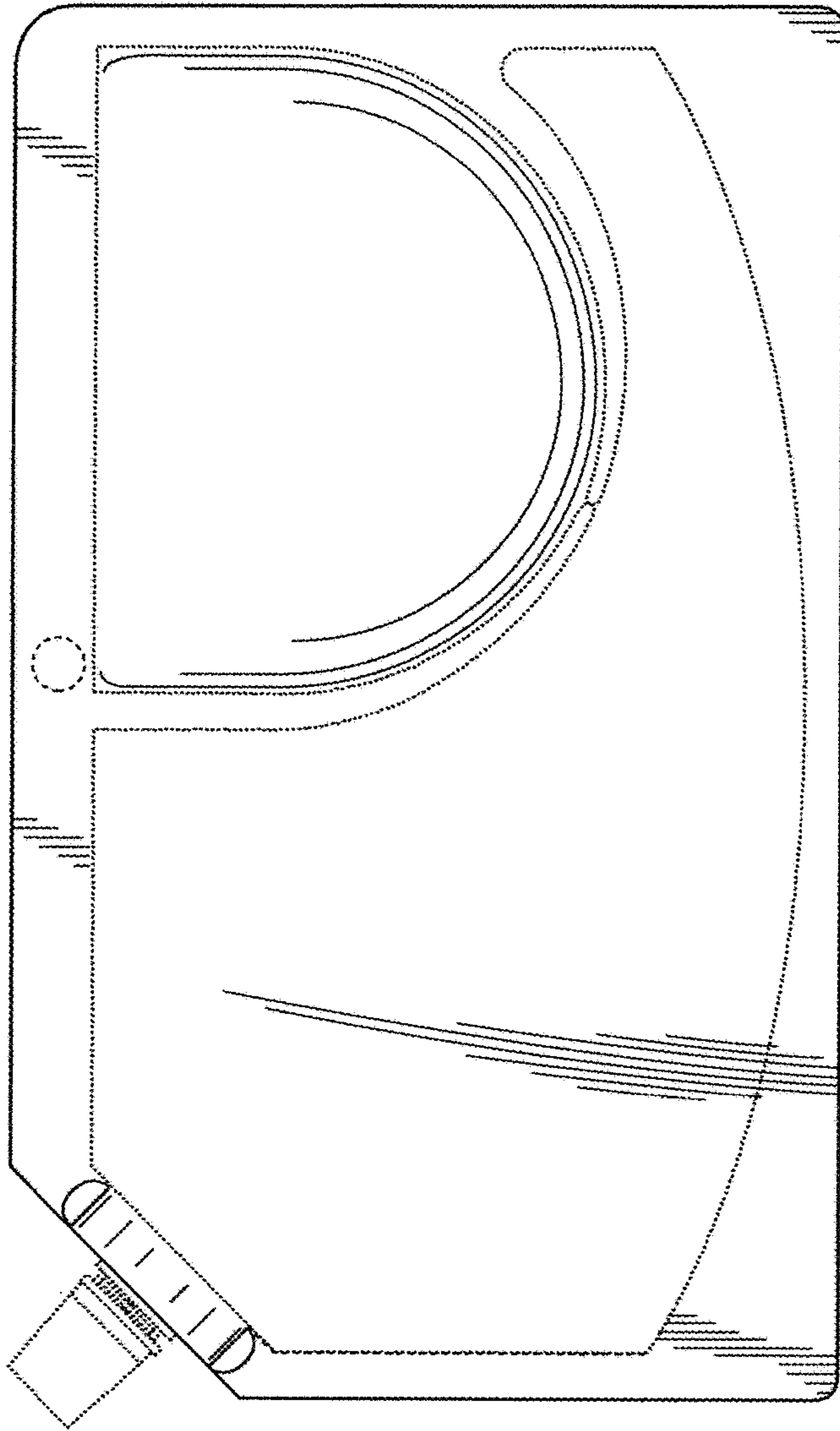
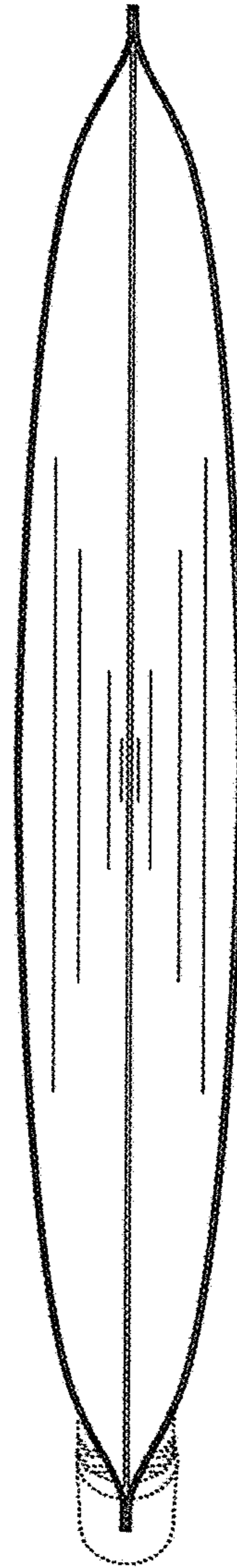


FIG. 7

FIG. 6



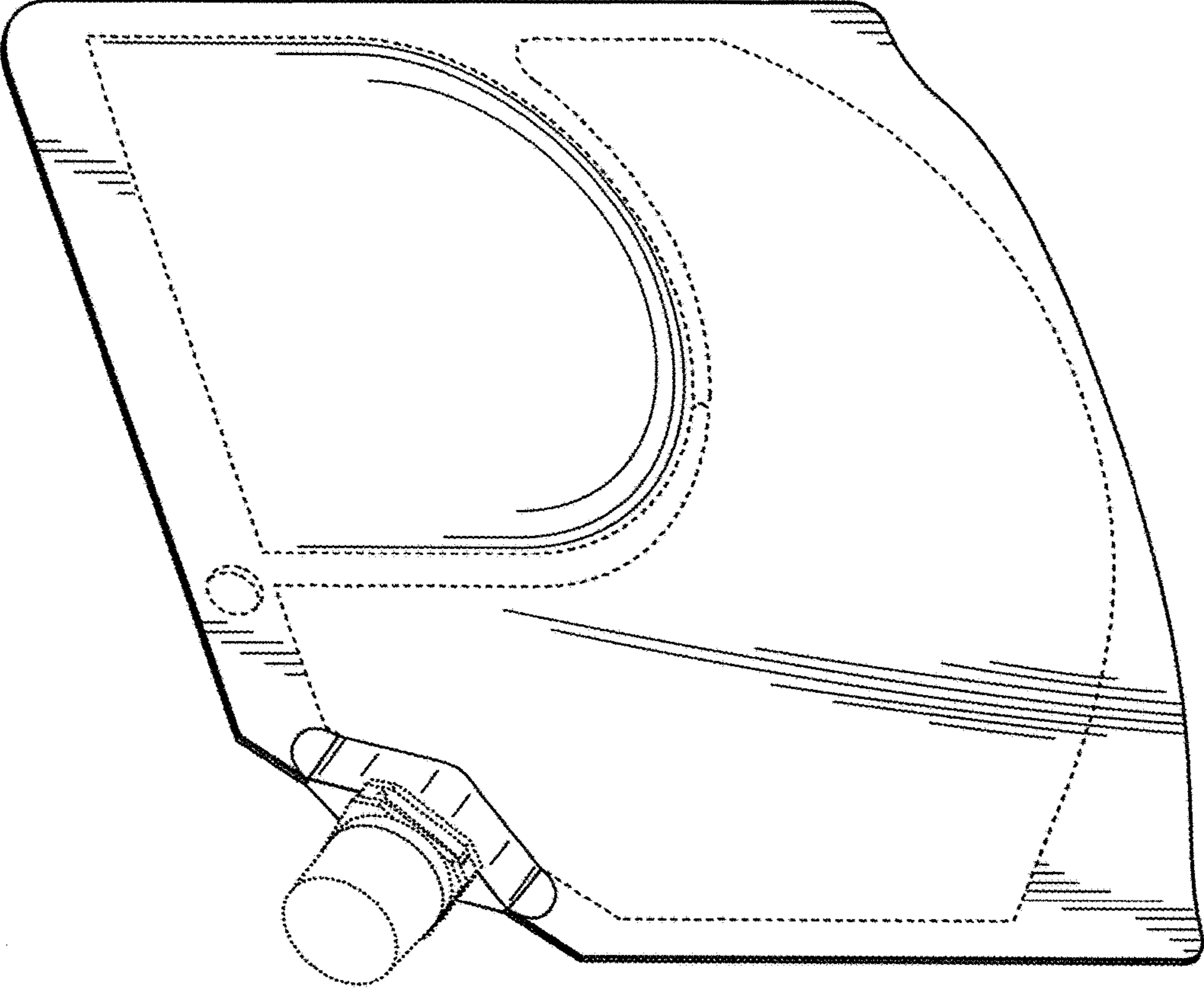


FIG. 8

FIG. 10

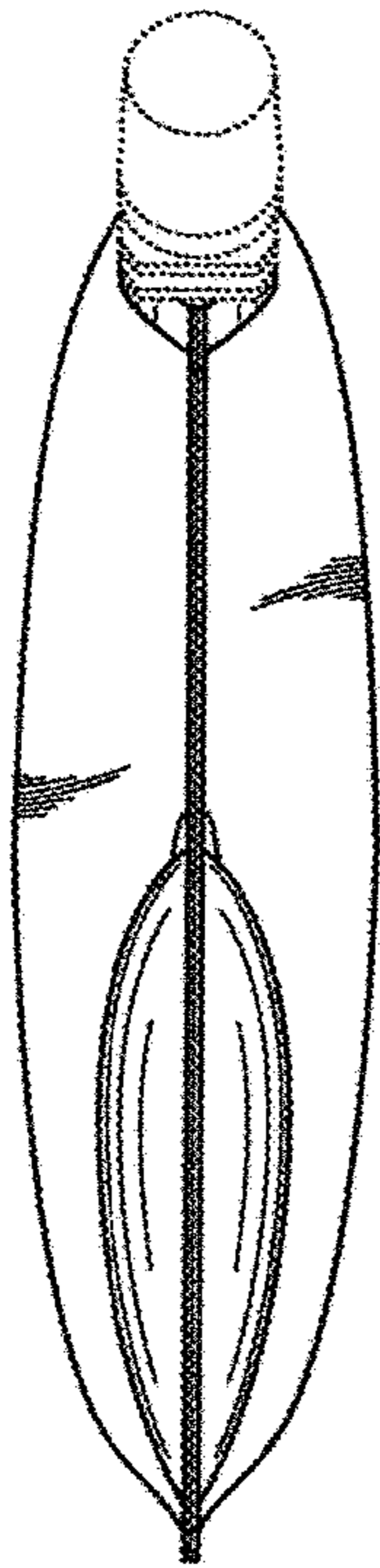


FIG. 9

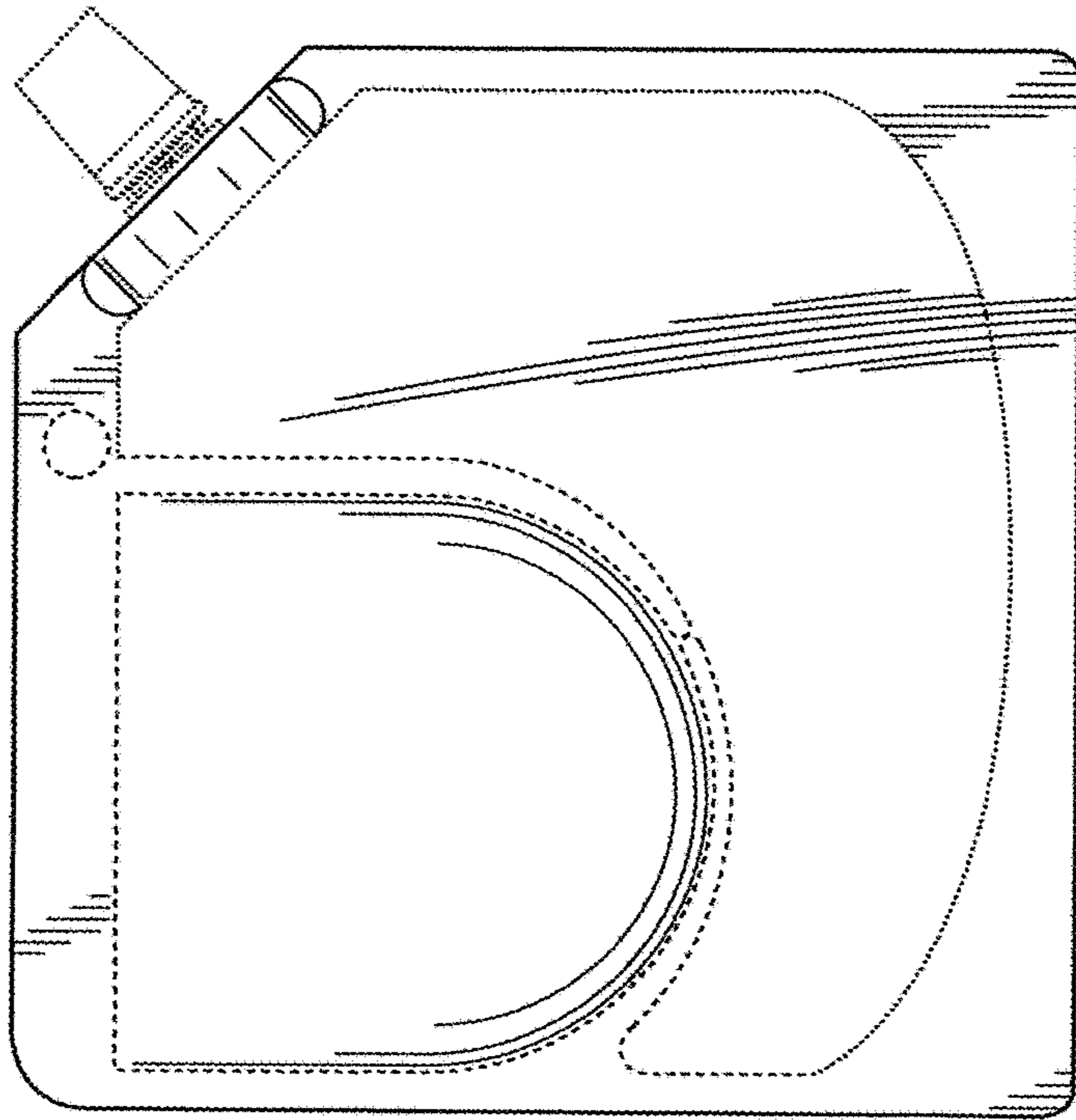


FIG. 11

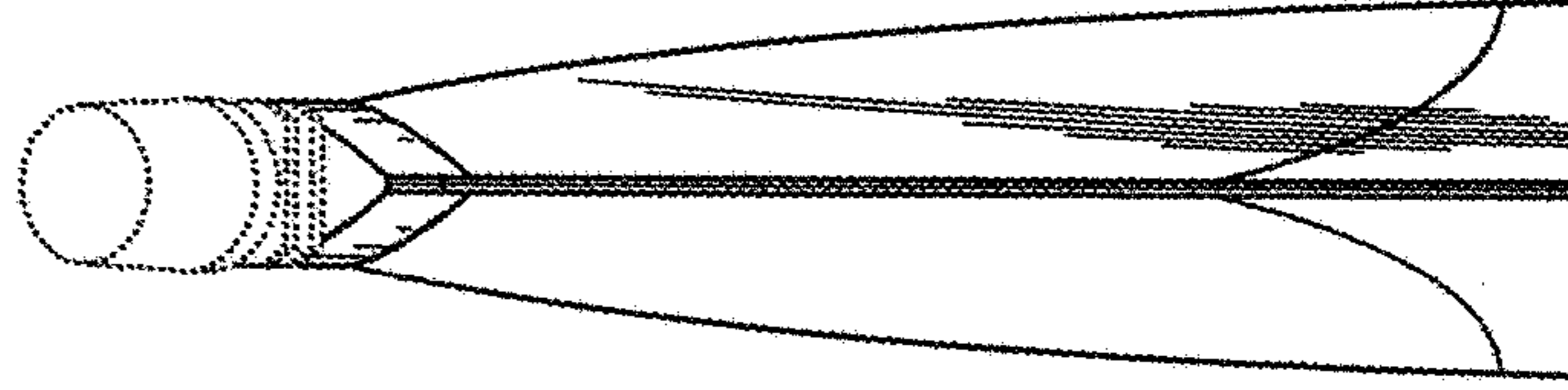


FIG. 12

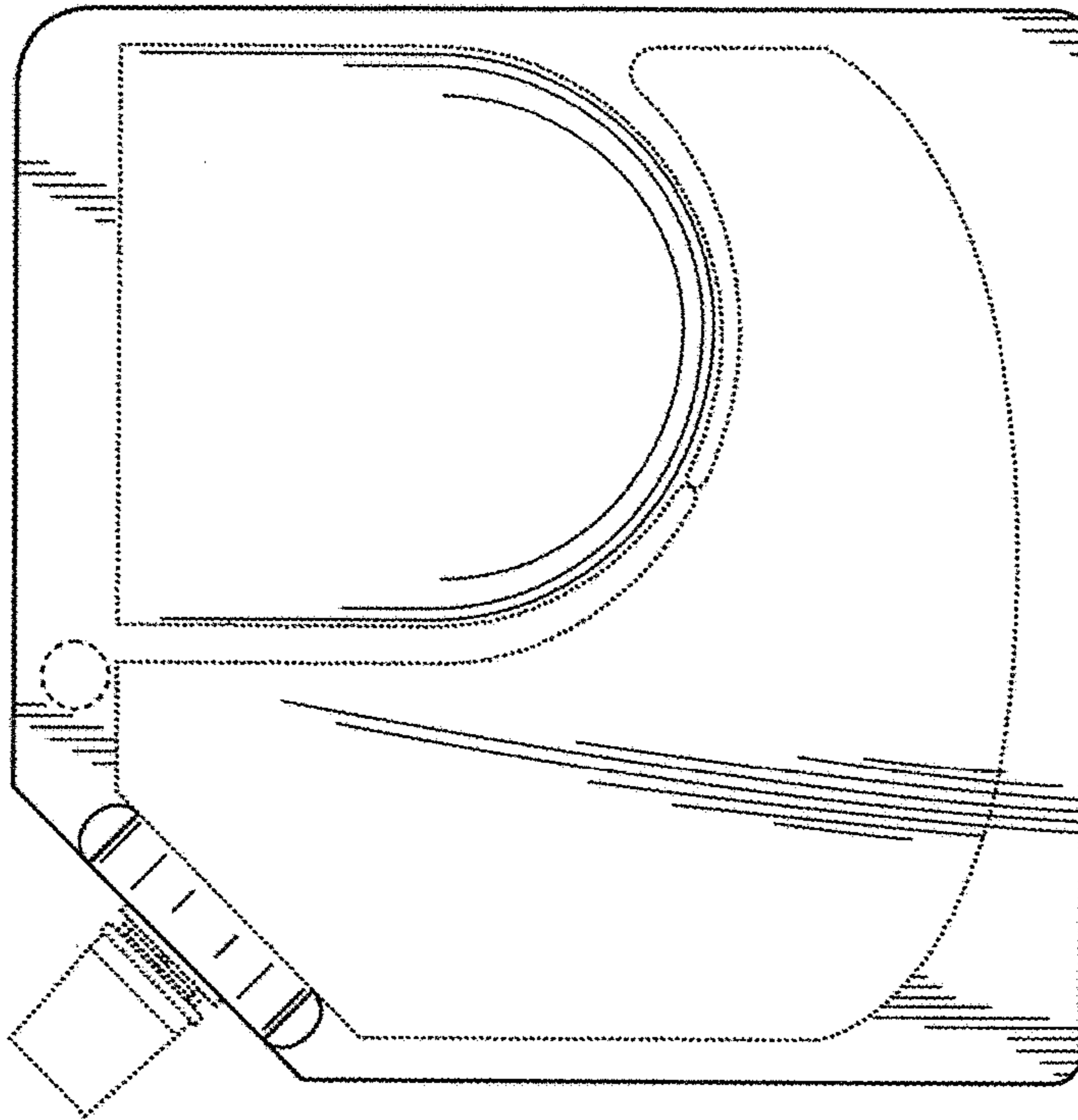


FIG. 13

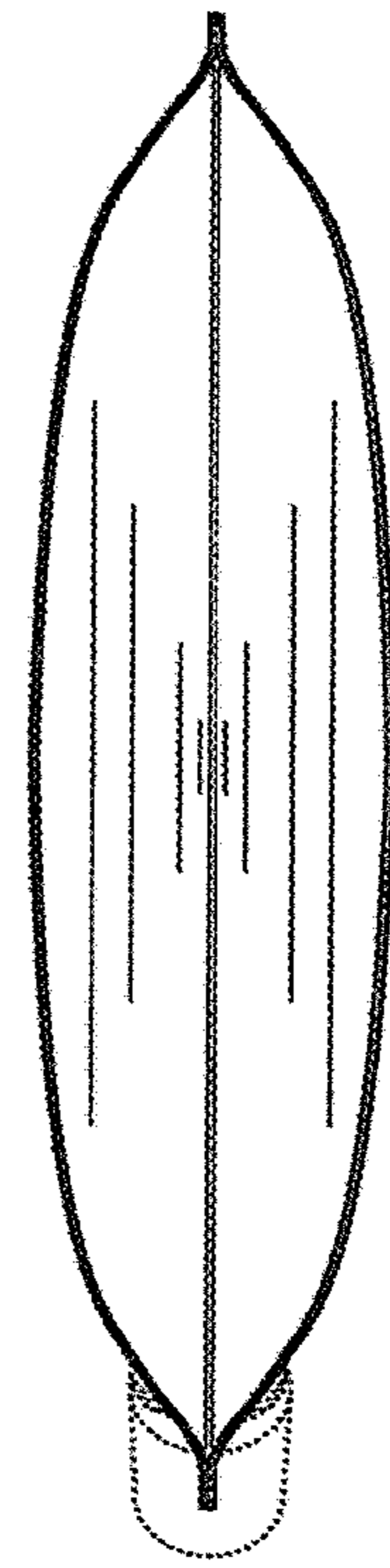


FIG. 14

