



US00D821881S

(12) **United States Design Patent**
Clemence et al.

(10) **Patent No.:** **US D821,881 S**
(45) **Date of Patent:** **** Jul. 3, 2018**

(54) **CONTAINER**

(71) Applicants: **Josh Clemence**, Covington, IN (US);
Noah Durham, Champaign, IL (US)

(72) Inventors: **Josh Clemence**, Covington, IN (US);
Noah Durham, Champaign, IL (US)

(73) Assignee: **EnvirOx, L.L.C.**, Danville, IL (US)

(**) Term: **15 Years**

(21) Appl. No.: **29/593,374**

(22) Filed: **Feb. 8, 2017**

Related U.S. Application Data

(63) Continuation of application No. 29/519,497, filed on
Mar. 5, 2015, now abandoned.

(51) **LOC (11) Cl.** **09-01**

(52) **U.S. Cl.**
USPC **D9/528**

(58) **Field of Classification Search**
USPC D9/516, 520, 527, 528, 522, 530, 531,
D9/536, 543, 563, 572-574; 215/14, 214,
215/217, 223, 379, 382-385, 396, 398;
220/220, 890; 222/210, 212, 215

CPC B65D 1/0223; B65D 1/0284; B65D 23/10;
B65D 2501/0081; B65D 2203/02
See application file for complete search history.

(56) **References Cited**

U.S. PATENT DOCUMENTS

D206,828 S * 1/1967 Sewickley D9/531
D244,991 S 7/1977 Weckman et al.
D259,405 S 6/1981 Drummond
D259,541 S 6/1981 Halbeisen et al.
D309,420 S 7/1990 Beaver
D311,136 S 10/1990 Barker et al.
D313,350 S 1/1991 Beaver
D329,816 S 9/1992 Beaver et al.

D331,195 S 11/1992 Weckman
D335,454 S 5/1993 McLean et al.
D350,484 S 9/1994 Addis et al.
D363,667 S 10/1995 Baratta-Dragono et al.
D366,421 S 1/1996 Best
D387,669 S * 12/1997 Beaver D9/523
D402,553 S 12/1998 Webster et al.
D409,495 S 5/1999 Hartman et al.
D420,918 S 2/2000 Hefter et al.
D430,798 S 9/2000 Stevens et al.
D472,151 S 3/2003 Warren et al.
D475,928 S * 6/2003 Ferguson D9/526
D486,396 S * 2/2004 Stinedurf D9/523
D490,319 S * 5/2004 Wiper D9/528
D518,731 S 4/2006 Yourist et al.

(Continued)

OTHER PUBLICATIONS

Three Photographs of Container Provided by Applicant in use in the
United States on or before Mar. 1, 2014 (Exhibit A).

Primary Examiner — Derrick Edward Holland

Assistant Examiner — Janice Julia Patyk

(74) *Attorney, Agent, or Firm* — King & Partners, PLC

(57) **CLAIM**

The ornamental design for a container, as shown and
described.

DESCRIPTION

FIG. 1 is a front perspective view of a container, showing
our new design.

FIG. 2 is a left side view of the container of FIG. 1, and the
right side view being a mirror image.

FIG. 3 is a front view of the container of FIG. 1.

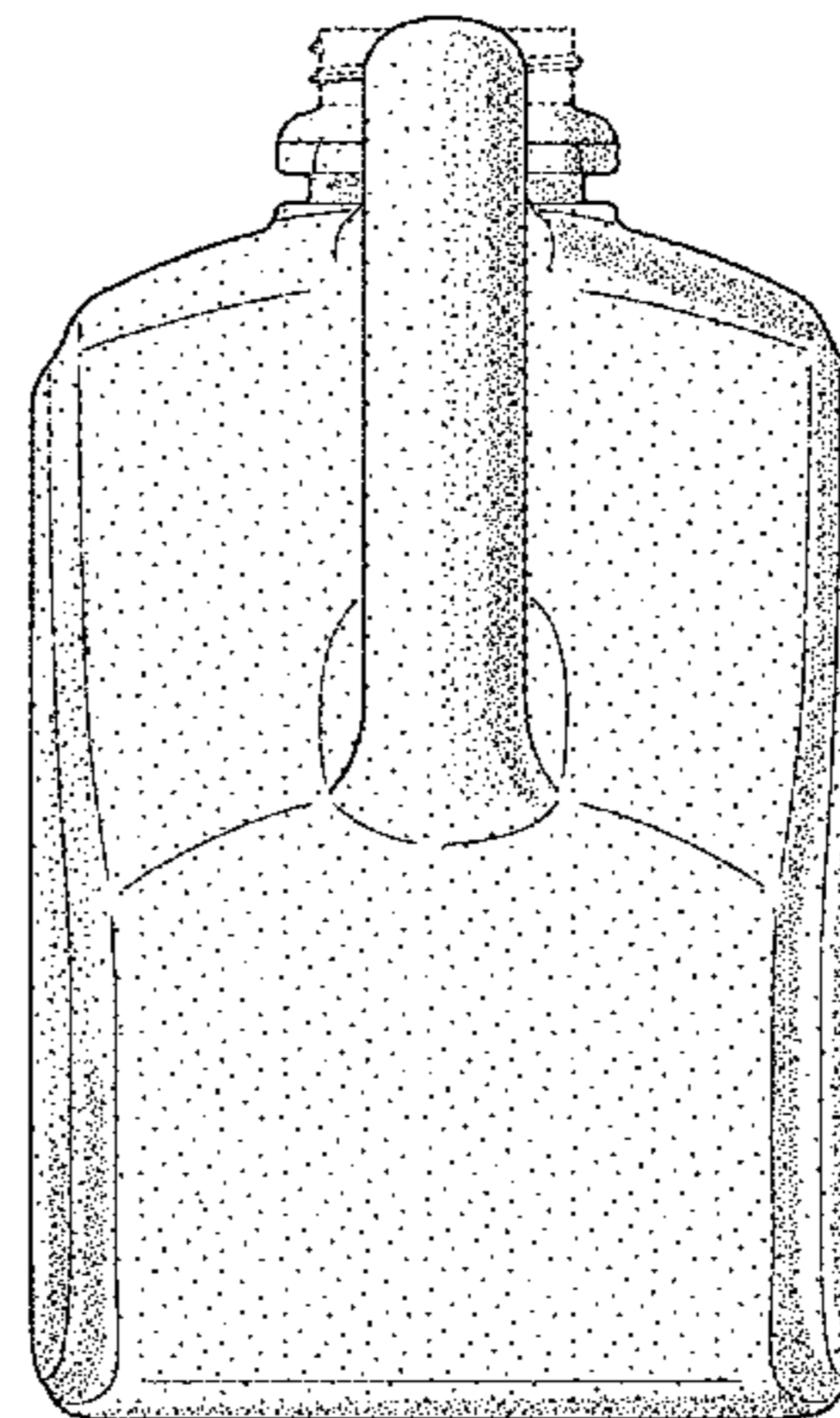
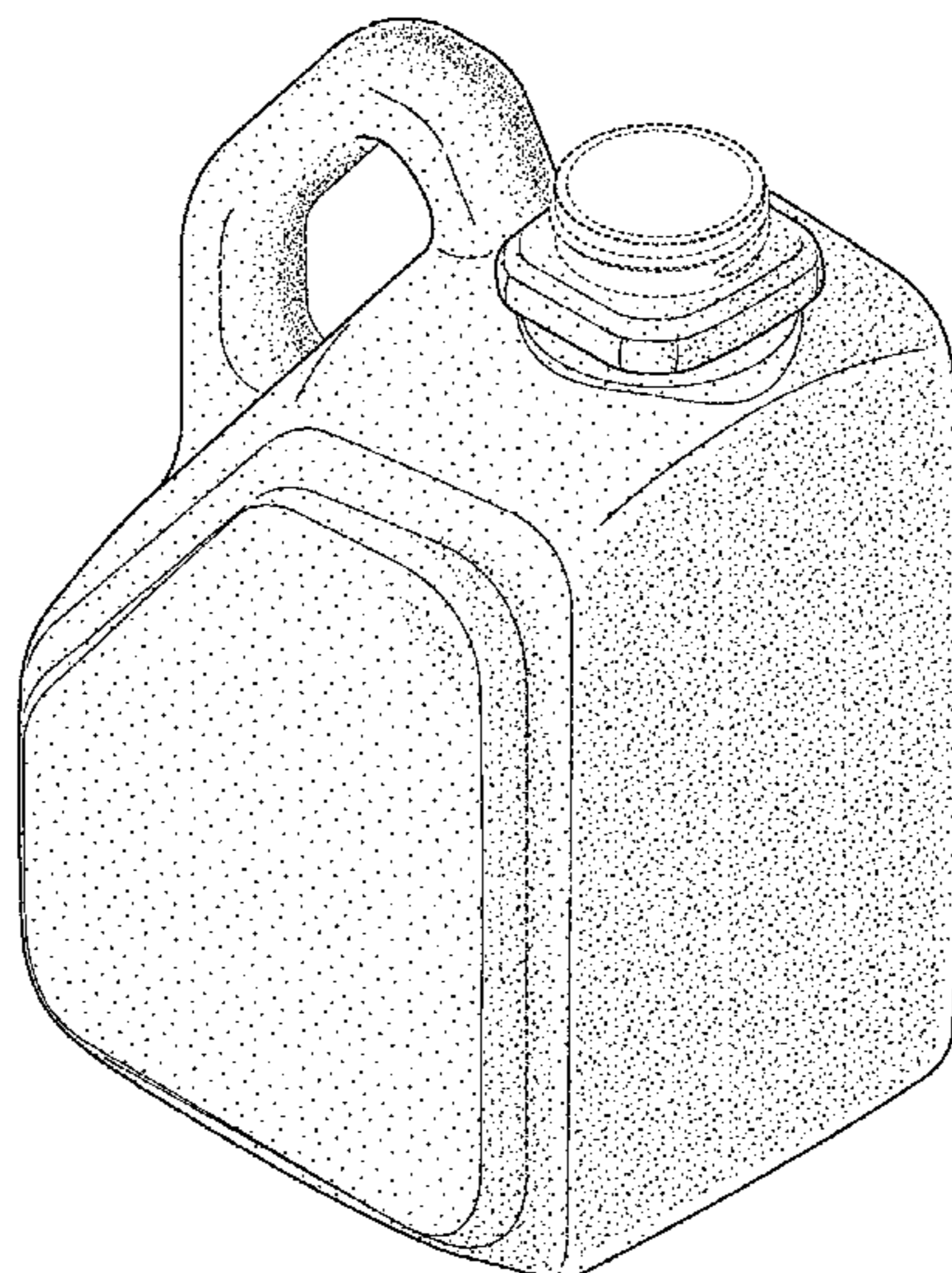
FIG. 4 is a rear view of the container of FIG. 1.

FIG. 5 is a top plan view of the container of FIG. 1; and,

FIG. 6 is a bottom plan view of the container of FIG. 1.

The broken lines in the figures illustrate the portions of the
design that form no part of the claimed design.

1 Claim, 5 Drawing Sheets



(56)

References Cited

U.S. PATENT DOCUMENTS

7,137,521 B2 * 11/2006 Yourist B65D 1/0223
215/379

D548,595 S 8/2007 Marasligiller et al.
D553,501 S 10/2007 Arnett et al.
D556,583 S 12/2007 Gurst et al.
D571,216 S * 6/2008 Christian D9/523
D571,217 S 6/2008 Bates et al.
D573,884 S 7/2008 Crabtree et al.
D579,778 S 11/2008 De Gopegui et al.
D584,155 S 1/2009 Lorio
D595,137 S 6/2009 Bates et al.
D627,231 S 11/2010 Lee et al.
D637,916 S 5/2011 McNabb et al.
D643,297 S 8/2011 Lee et al.
D651,907 S 1/2012 Dennis et al.
D661,193 S 6/2012 Merchant et al.
D683,628 S 6/2013 Claassen
D684,061 S 6/2013 Leslie et al.

D685,642 S 7/2013 Leslie et al.
D686,080 S 7/2013 Tomkins et al.
D691,477 S 10/2013 Tomkins et al.
D696,128 S 12/2013 Lindsay et al.
D705,069 S 5/2014 Crisanti et al.
D714,647 S 10/2014 Kersten
D716,146 S 10/2014 Palmatier et al.
D721,587 S 1/2015 Bos et al.
D723,927 S 3/2015 Fish et al.
D724,435 S 3/2015 Kaufman et al.
D730,190 S 5/2015 Lindsay et al.
D733,567 S 7/2015 Lindsay et al.
D736,637 S 8/2015 Castillo Higareda et al.
D739,247 S 9/2015 McDonnell
D739,749 S 9/2015 Bhattacharyya et al.
D741,183 S 10/2015 Cannamela et al.
D741,715 S 10/2015 Casscles et al.
D743,806 S 11/2015 Lang et al.
2006/0065619 A1 * 3/2006 Warren B29C 49/4802
215/398

* cited by examiner

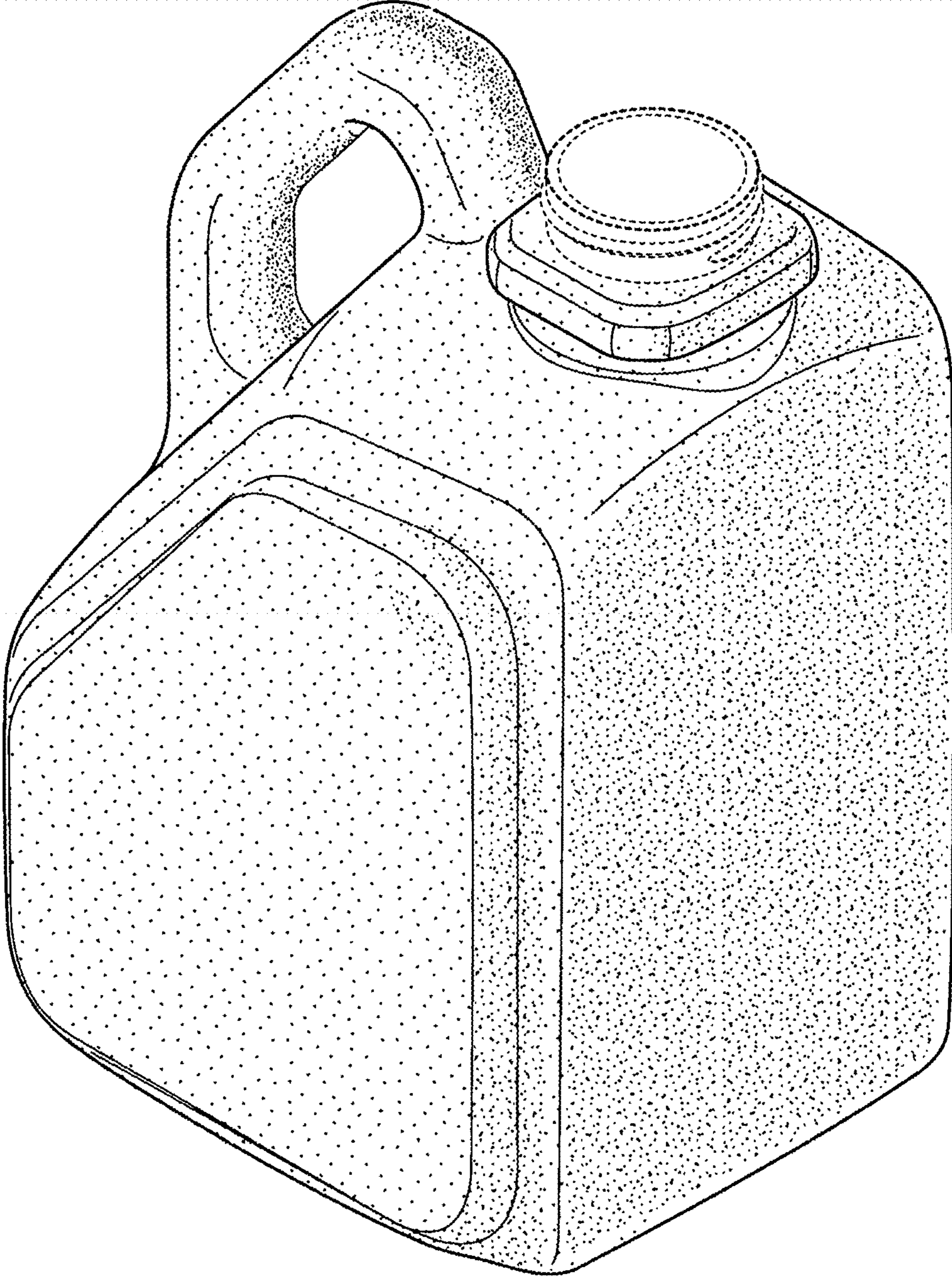


Figure 1

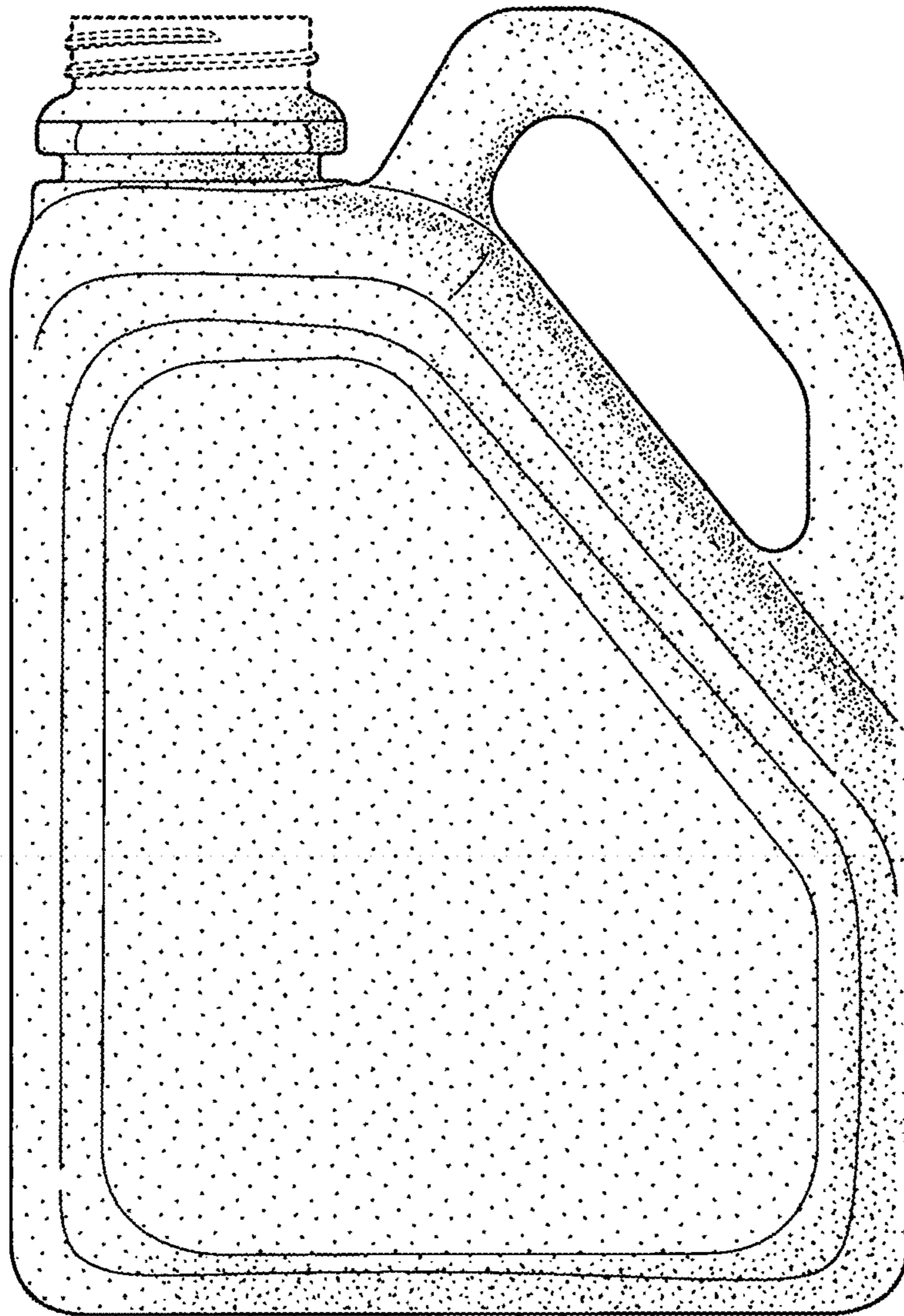


Figure 2

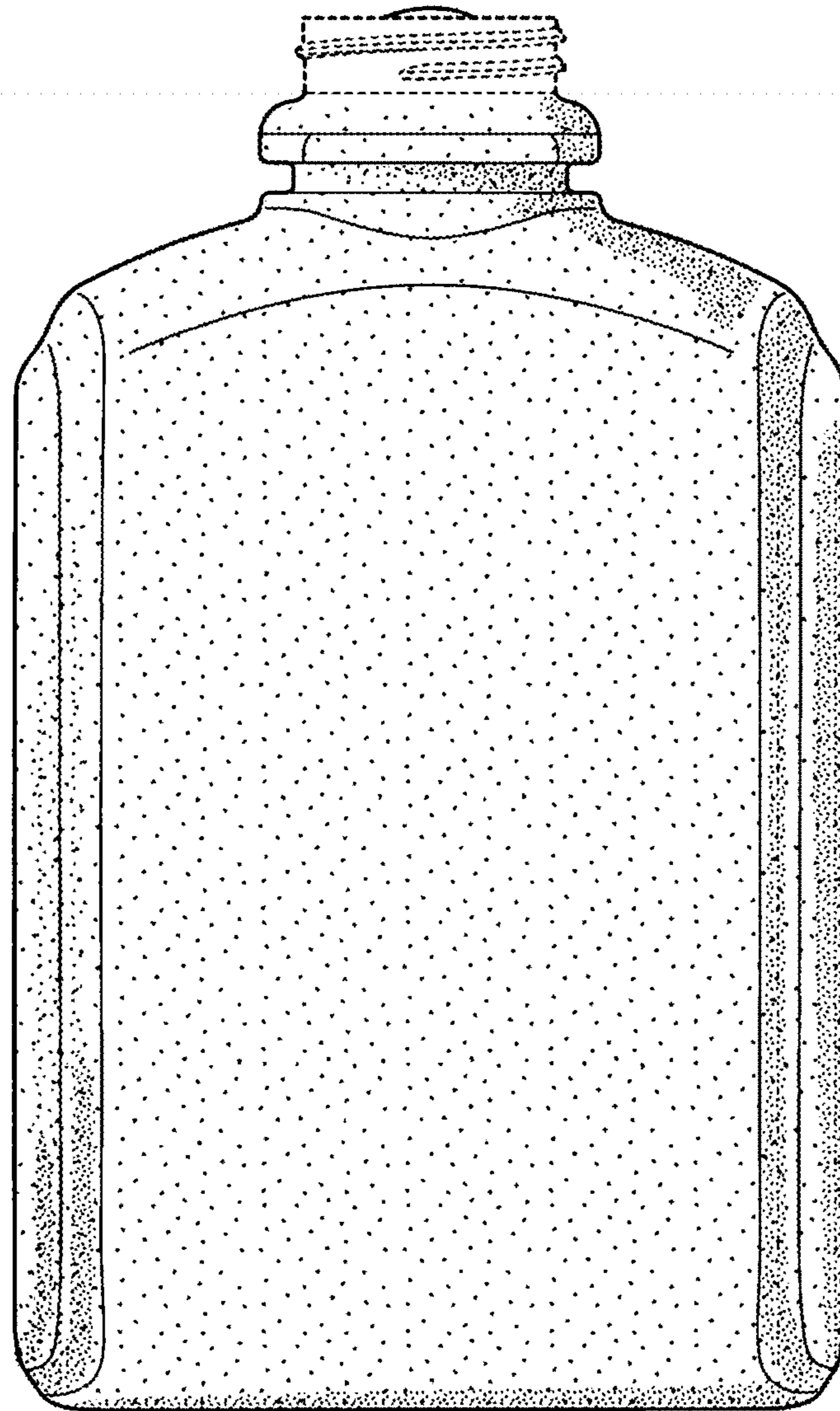


Figure 3

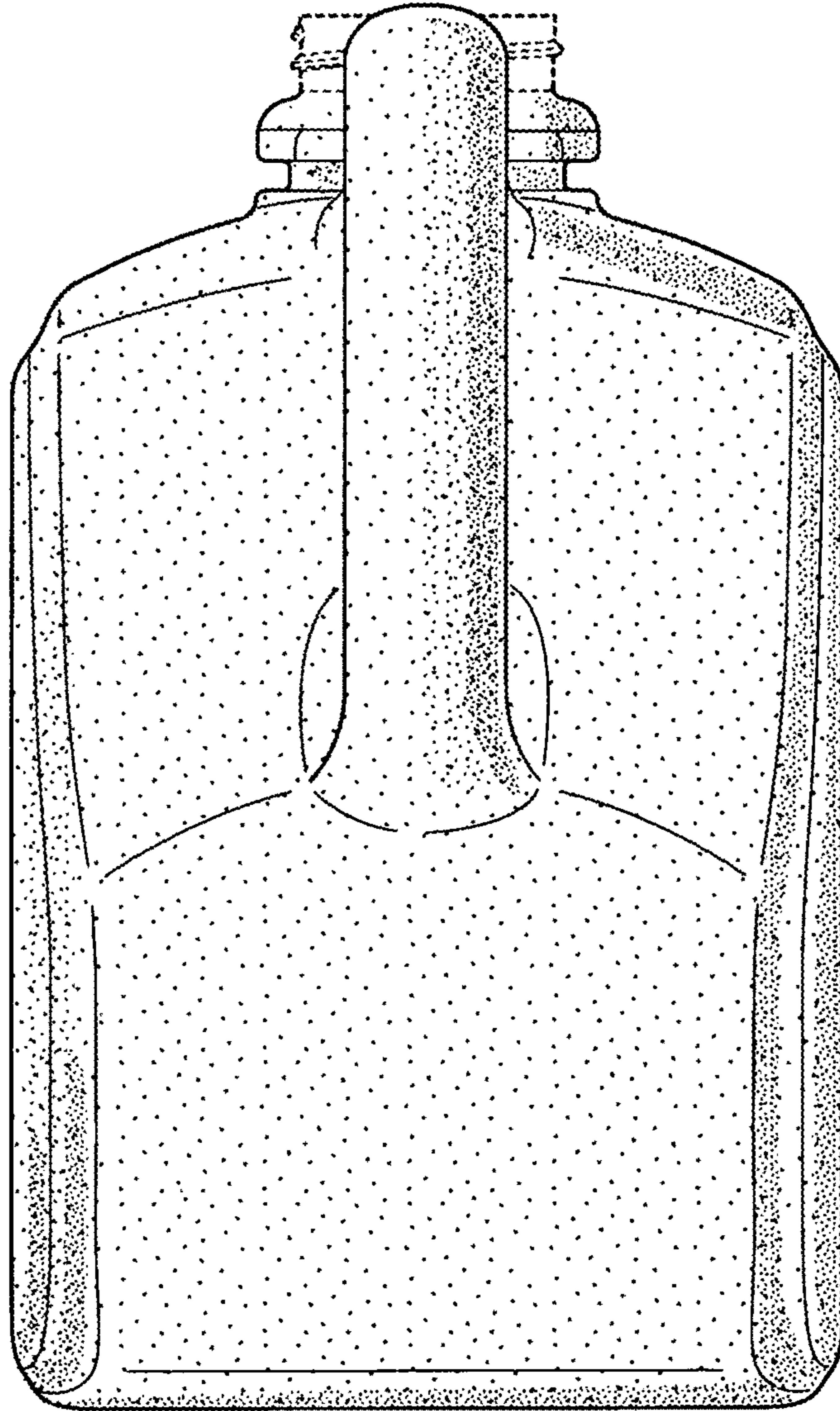


Figure 4

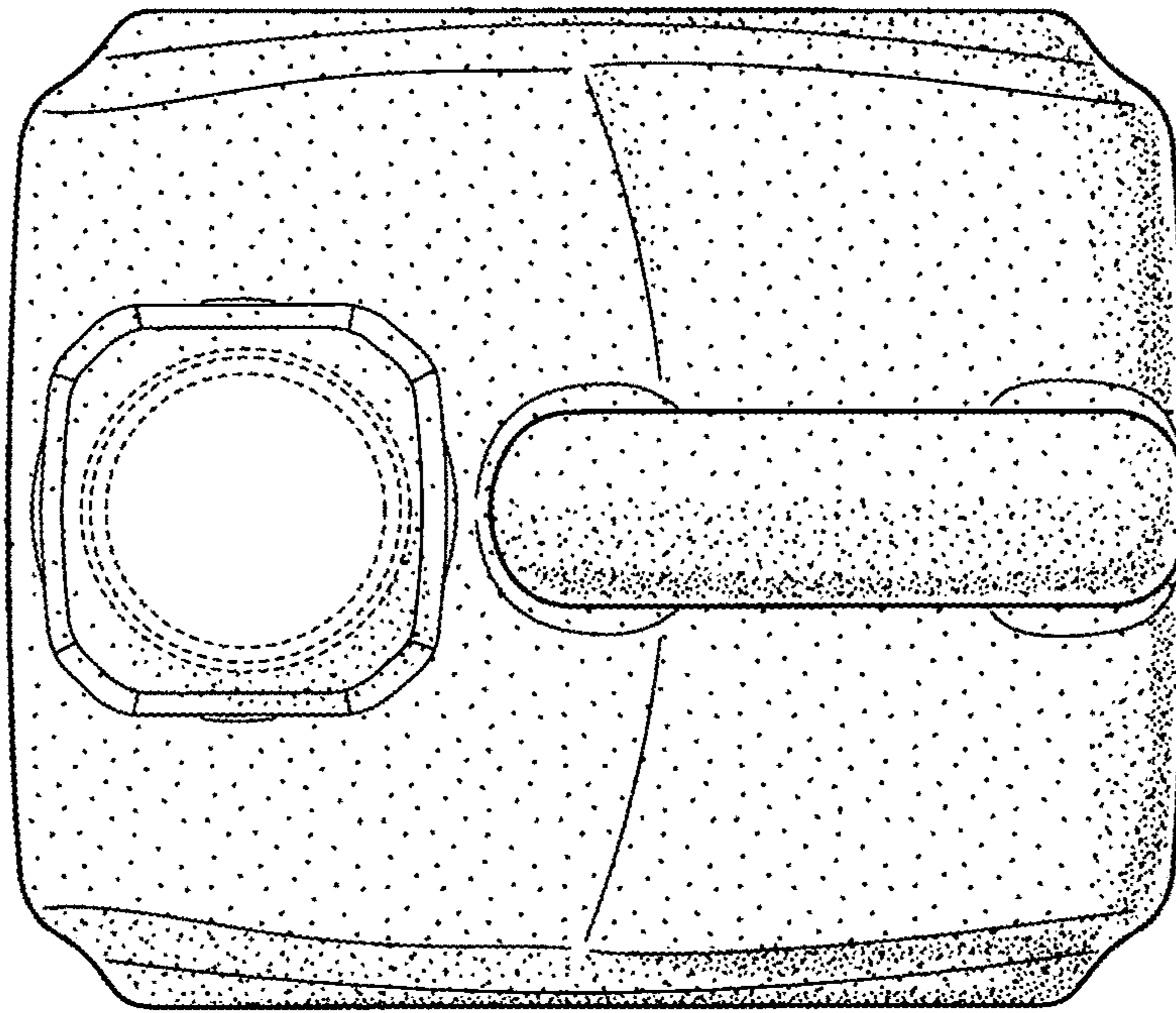


Figure 5

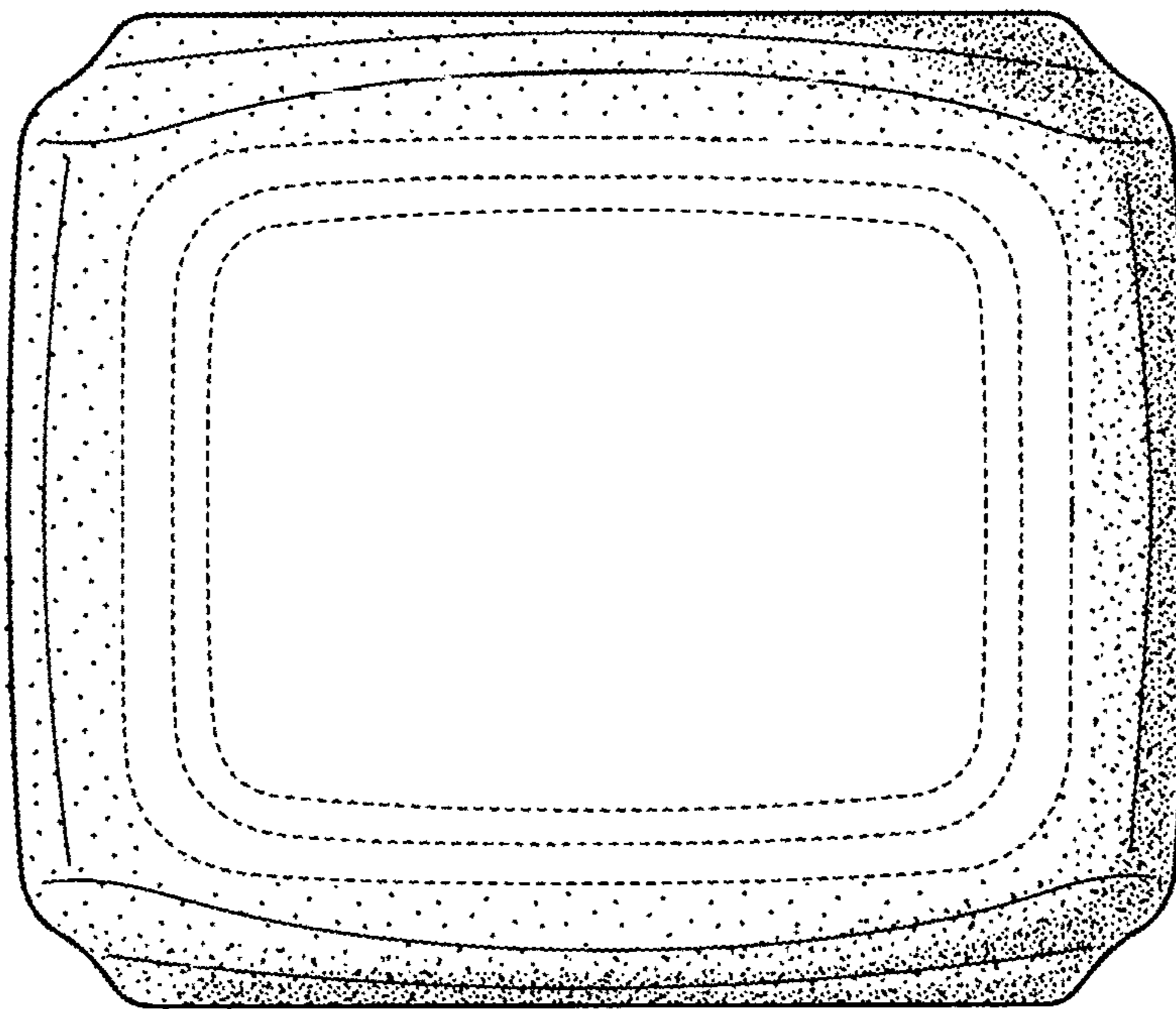


Figure 6