



US00D821880S

(12) **United States Design Patent**  
**Olarte**

(10) **Patent No.:** **US D821,880 S**

(45) **Date of Patent:** **\*\* Jul. 3, 2018**

(54) **NESTING CONTAINER**  
(71) Applicant: **Alvaro Mauricio Olarte**, Aventura, FL (US)

(72) Inventor: **Alvaro Mauricio Olarte**, Aventura, FL (US)

(73) Assignee: **Stackcan LLC**, Aventura, FL (US)

(\*\*) Term: **15 Years**

(21) Appl. No.: **29/572,495**

(22) Filed: **Jul. 28, 2016**

(51) **LOC (11) Cl.** ..... **09-01**

(52) **U.S. Cl.**  
USPC ..... **D9/523**; D9/528

(58) **Field of Classification Search**  
USPC ..... D9/651, 658, 523-524, 528, 530-535, D9/548, 549-550, 574, 575, 520, 522, D9/526, 527, 553, 555, 556, 557, D9/563-570, 742; 215/381-385; 220/660, 669, 679, 752; D23/211.1  
CPC ..... B65D 23/00; B65D 23/10; B65D 1/00; B65D 1/02; B65D 21/00; B65D 21/02; B65D 21/0201; B65D 21/0209; B65D 21/0233; B65D 21/0234; B65D 21/0237; B65D 1/10; B65D 1/40; B65D 1/42; B65D 11/04; B65D 2501/0081; B65D 2101/0053; B65D 1/0223

See application file for complete search history.

(56) **References Cited**

U.S. PATENT DOCUMENTS

D258,866 S \* 4/1981 Houseman ..... D9/524  
D315,867 S \* 4/1991 Hestehave ..... D9/527  
D358,330 S \* 5/1995 Kahl ..... D23/211.1  
D365,983 S \* 1/1996 Triassi ..... D9/520

D426,162 S \* 6/2000 Olson ..... D9/528  
D506,137 S \* 6/2005 Durivage ..... D9/527  
D517,413 S \* 3/2006 Murphy ..... D9/522  
D520,367 S \* 5/2006 Morris ..... D9/527  
7,182,214 B2 \* 2/2007 Darr ..... B65D 1/0223  
215/365  
D577,589 S \* 9/2008 Briussel ..... D9/524  
D625,774 S \* 10/2010 Nirenberg ..... D23/211.1  
D693,426 S \* 11/2013 Mehra ..... D23/211.1  
2002/0166857 A1 \* 11/2002 Schwaikert ..... B65D 1/0223  
220/270  
2005/0051575 A1 \* 3/2005 Durivage ..... B65D 21/0201  
222/143  
2006/0037930 A1 \* 2/2006 Darr ..... B65D 1/0223  
215/396

\* cited by examiner

*Primary Examiner* — Anhdao Doan  
*Assistant Examiner* — Mary Malley  
(74) *Attorney, Agent, or Firm* — St. Onge Steward  
Johnston & Reens, LLC

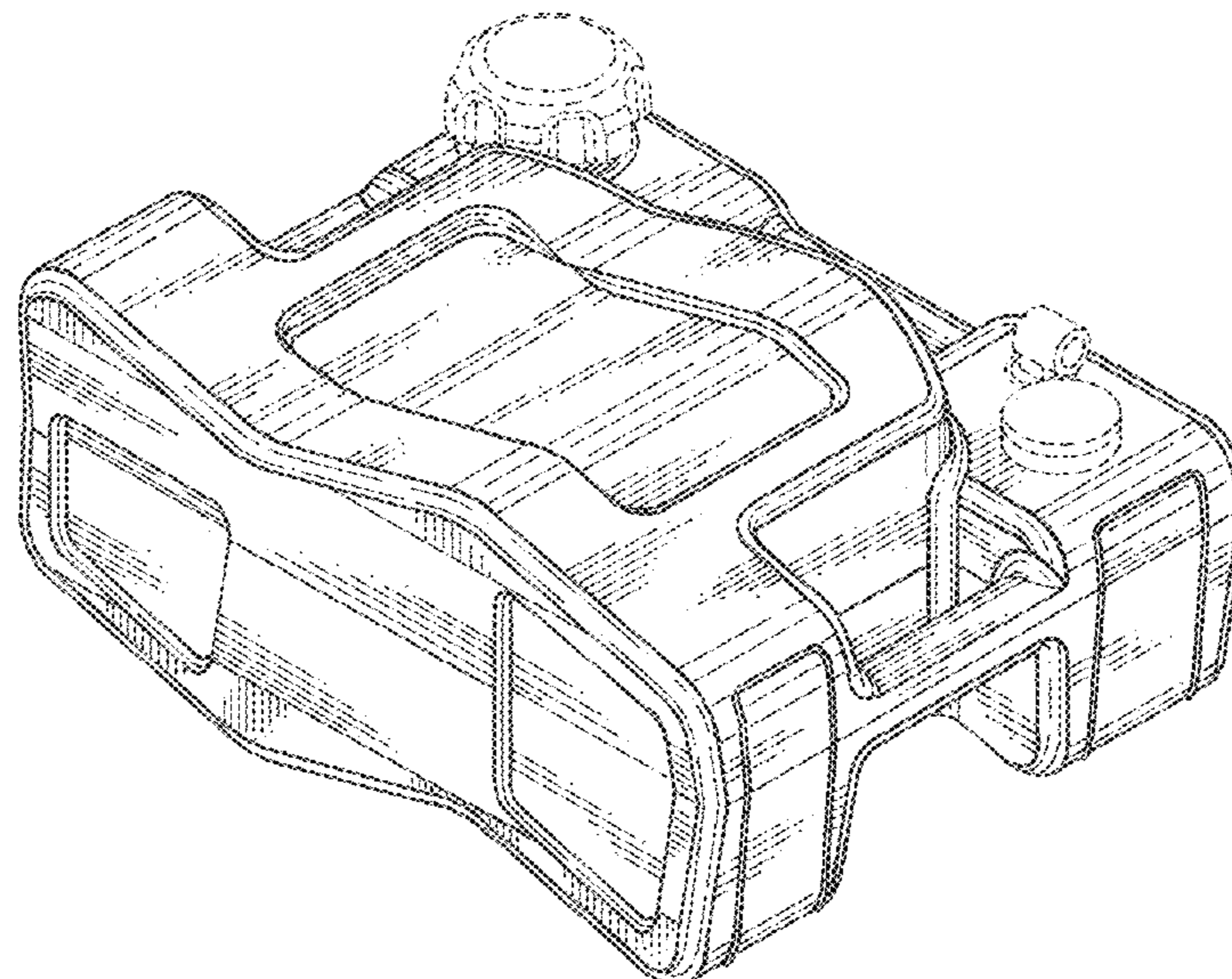
(57) **CLAIM**

The ornamental design for a nesting container, as shown and described.

**DESCRIPTION**

FIG. 1 is a front isometric view of a nesting container in accordance with the new design;  
FIG. 2 is a front view thereof;  
FIG. 3 is a rear view thereof;  
FIG. 4 is a top view thereof;  
FIG. 5 is a bottom view thereof;  
FIG. 6 is a left view thereof; and,  
FIG. 7 is a right view thereof.  
The broken lines shown in FIGS. 1, 2, 3, 4, and 6 are for the purpose of illustrating portions of the nesting container that form no part of the claimed design.

**1 Claim, 5 Drawing Sheets**





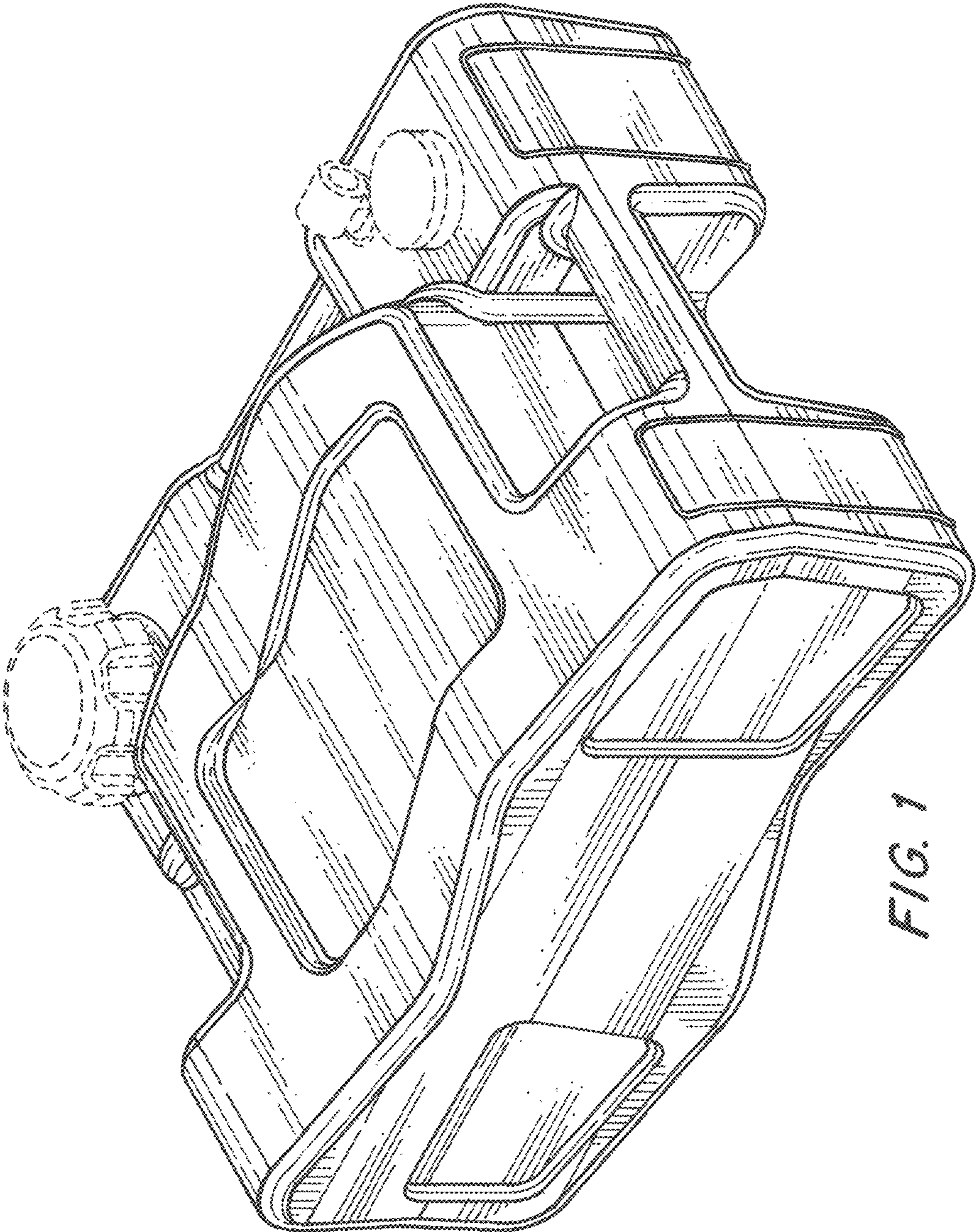


FIG. 1



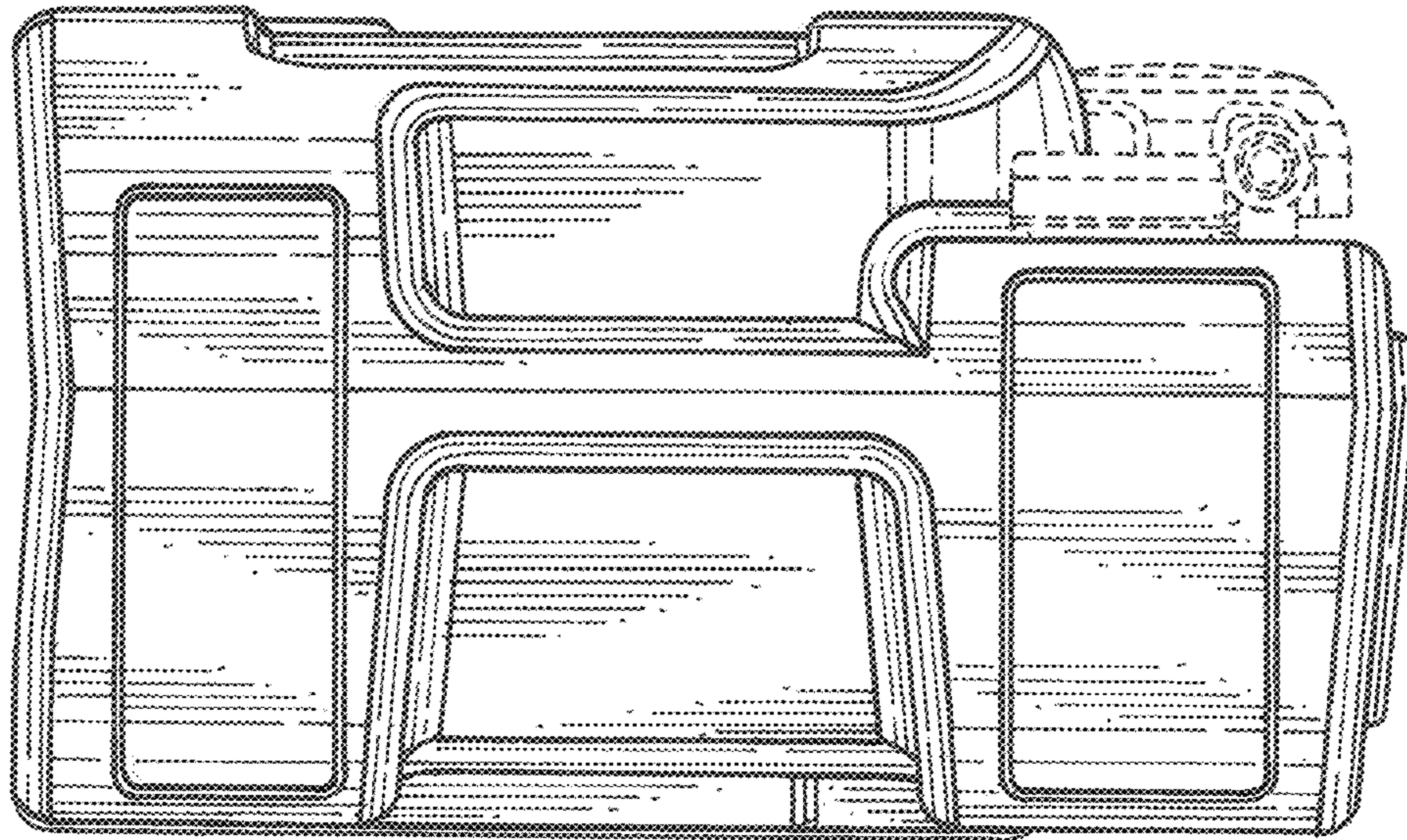


FIG. 2

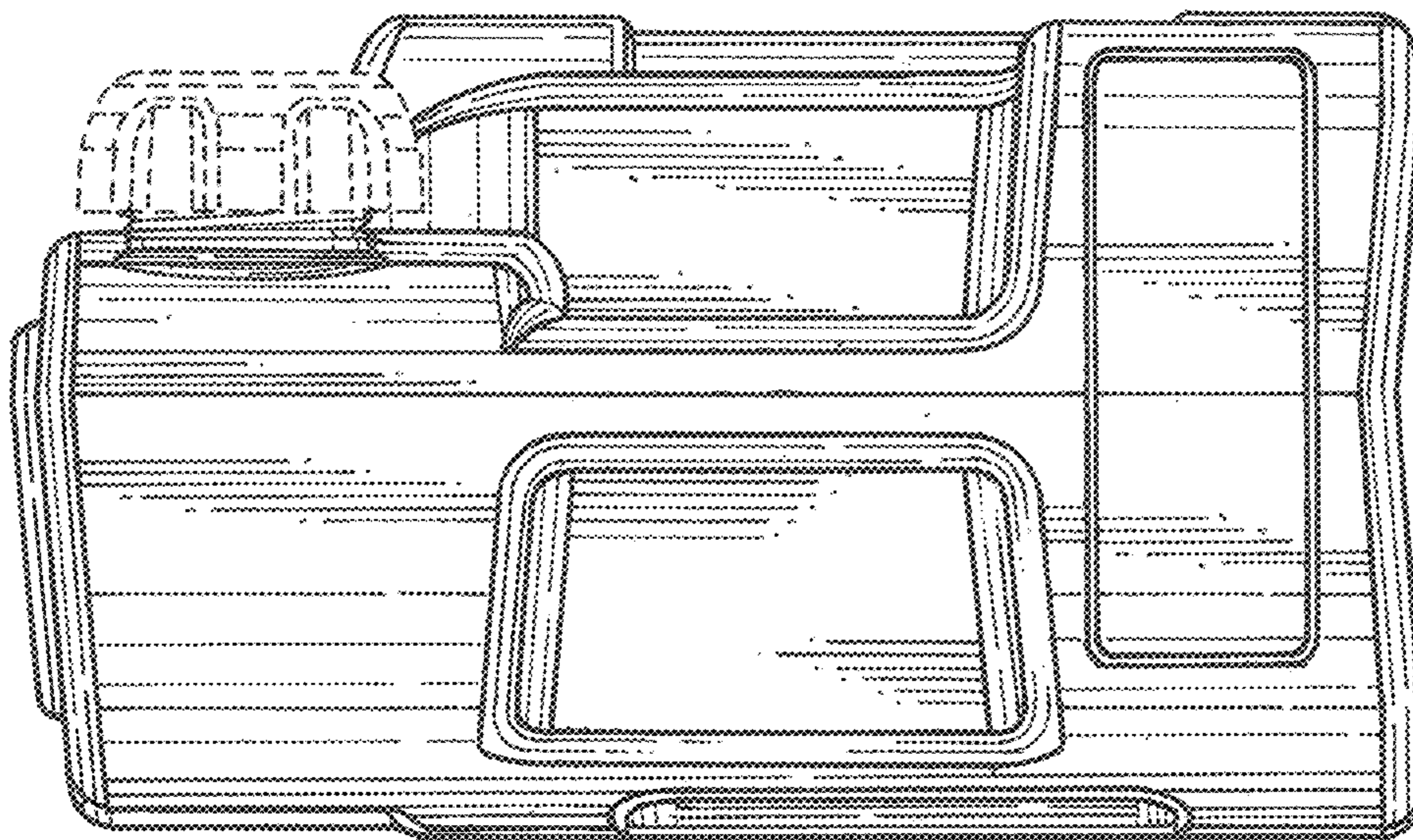


FIG. 3



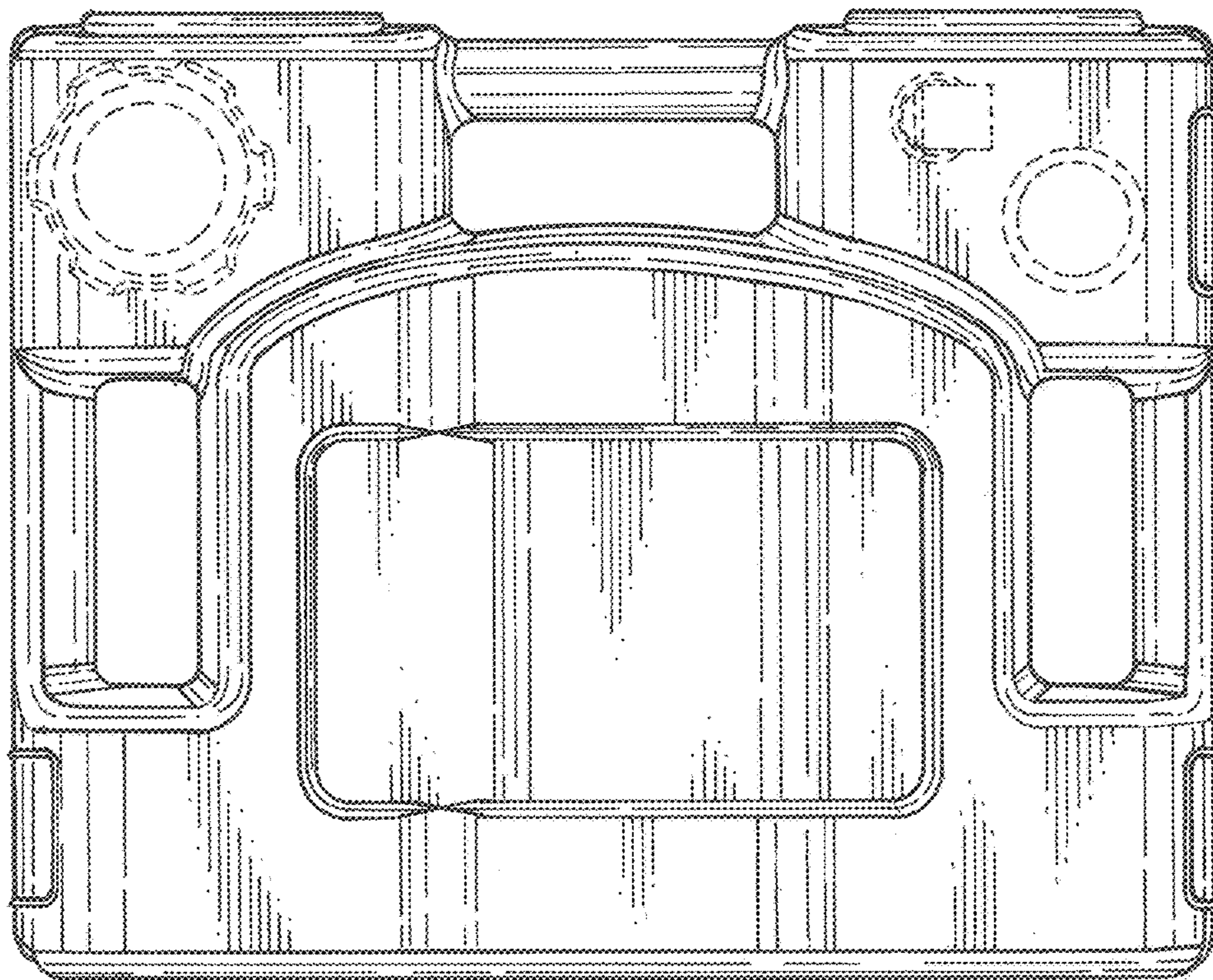


FIG. 4

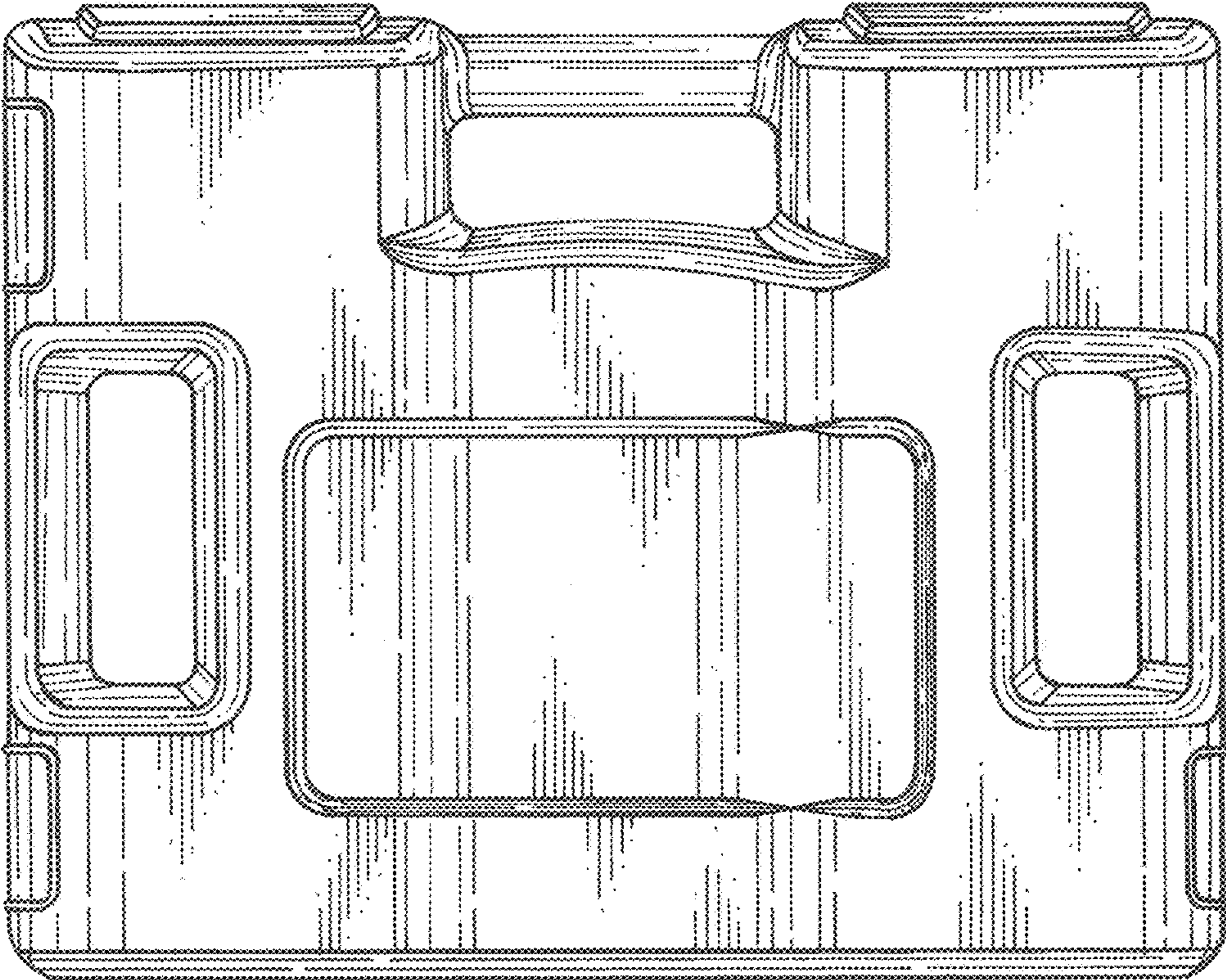


FIG. 5



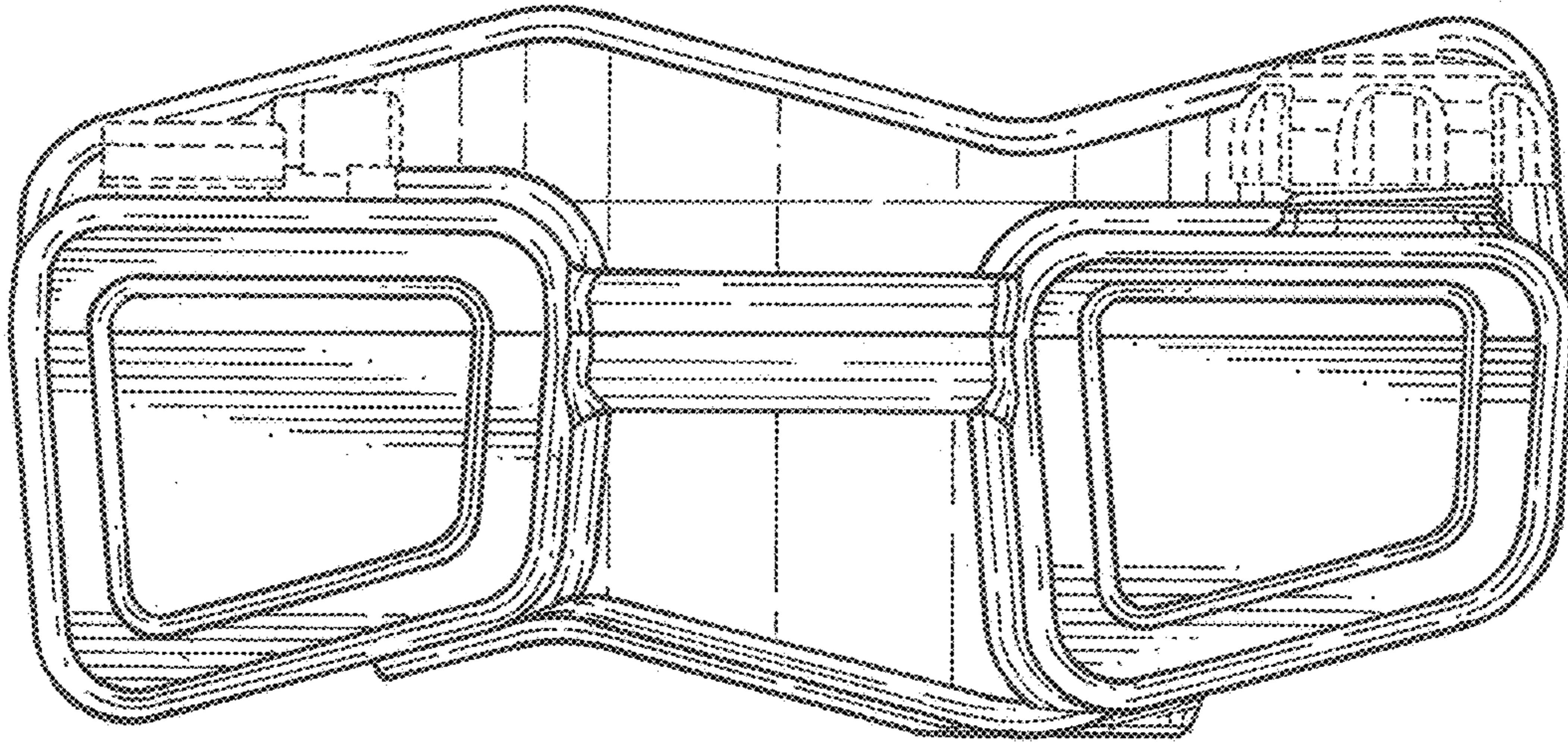


FIG. 6

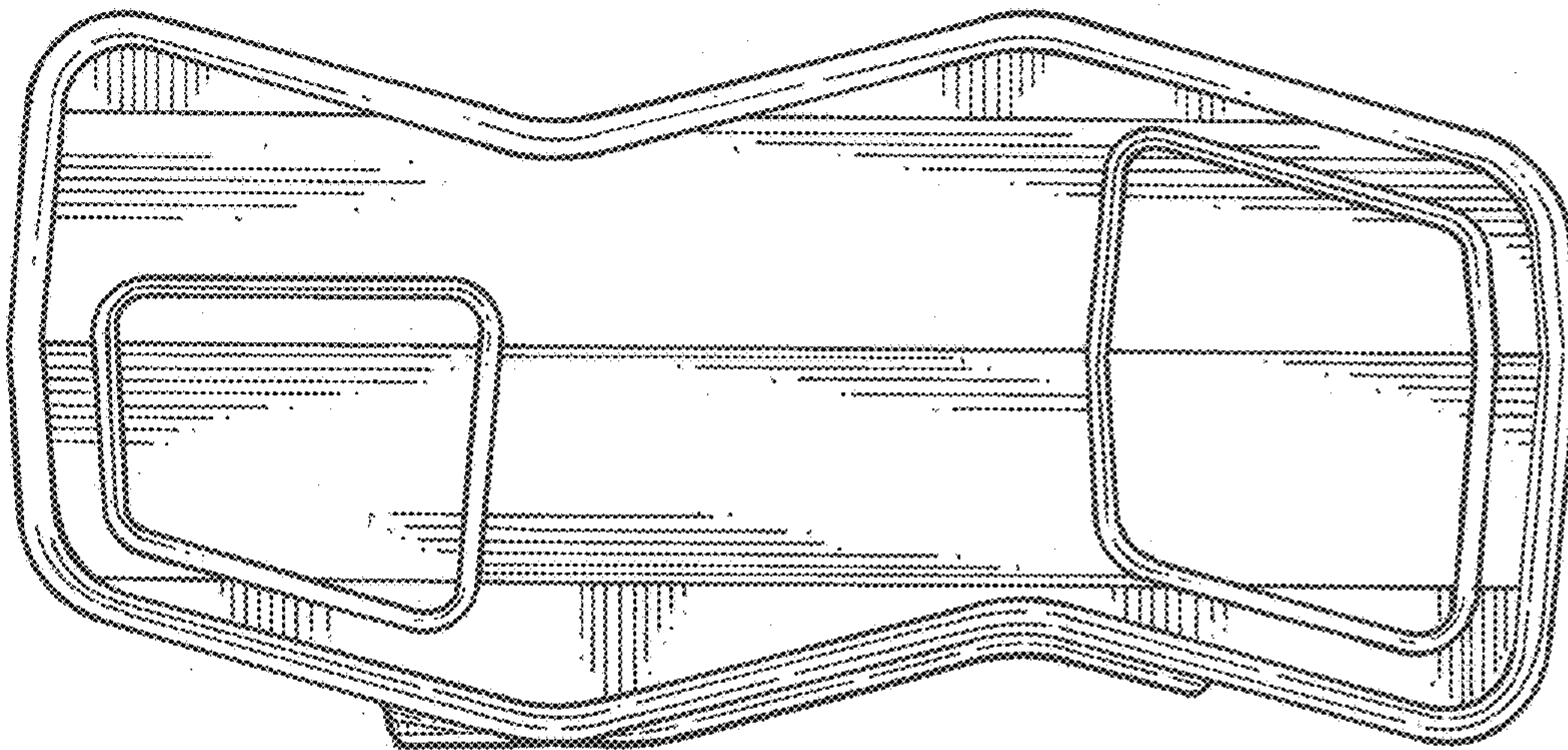


FIG. 7